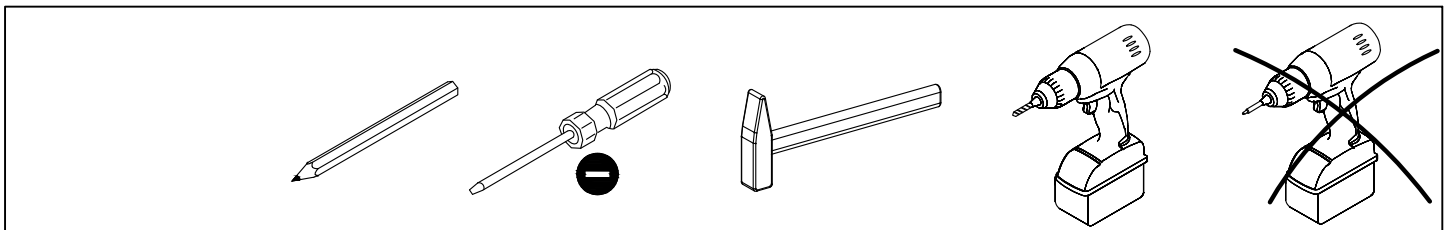
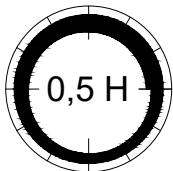
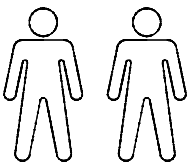
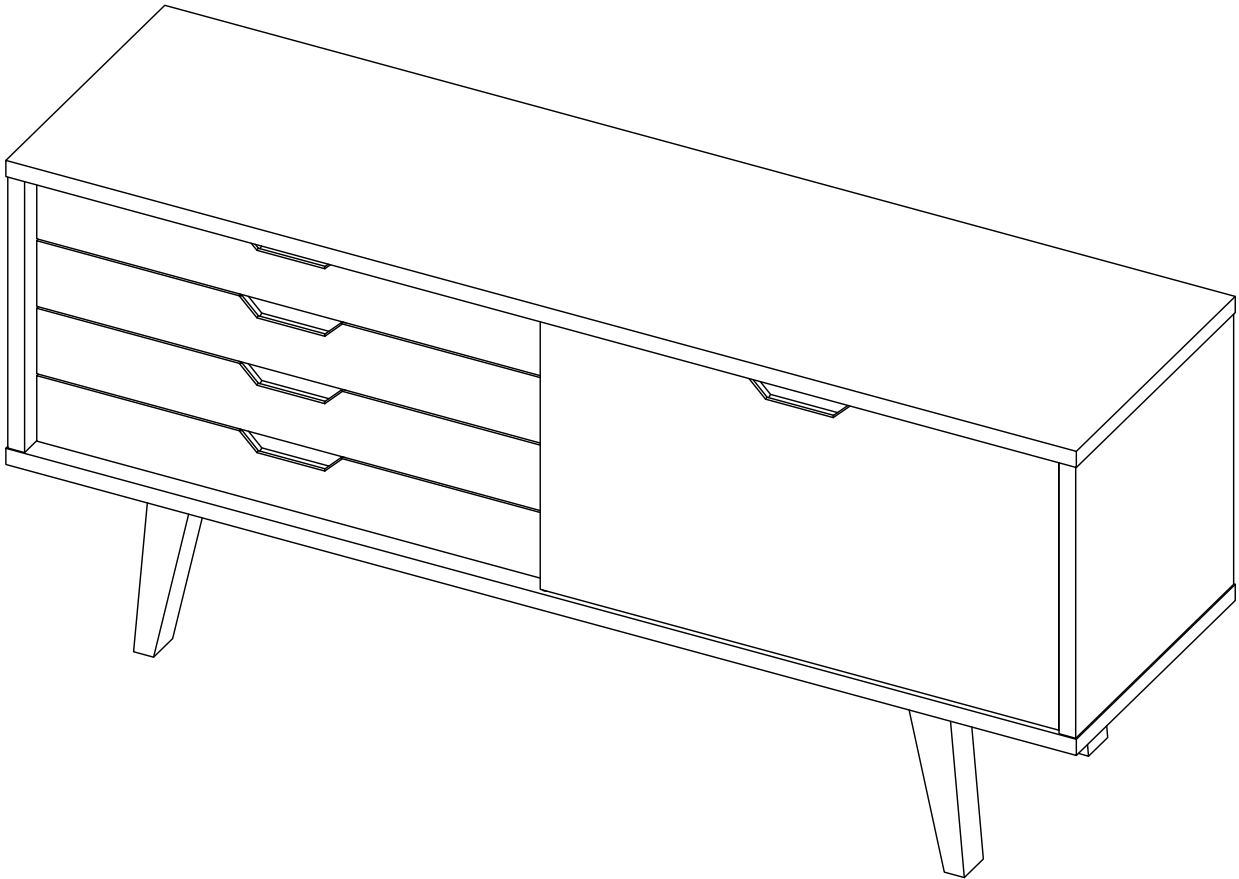
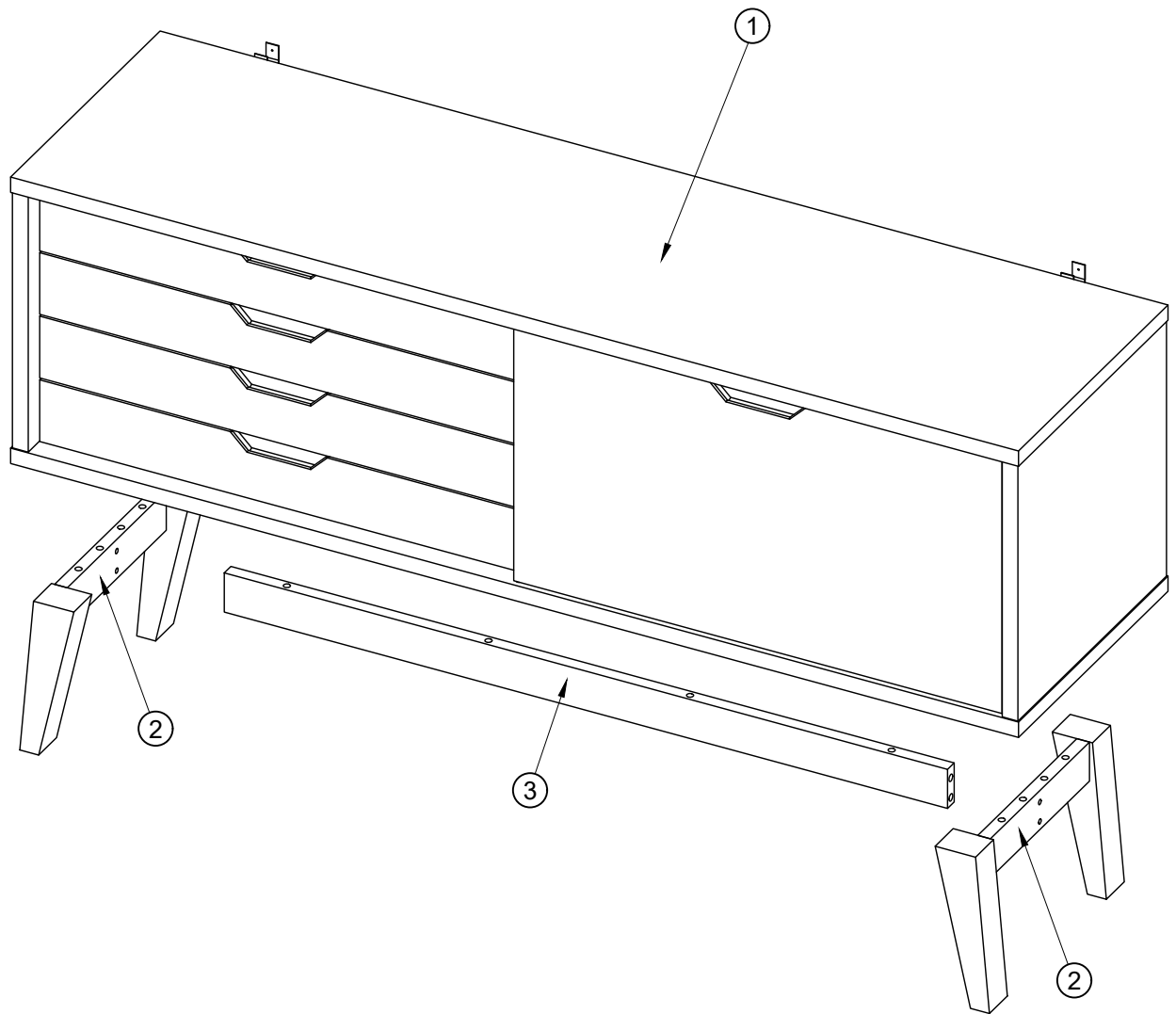
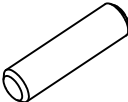
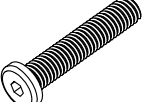



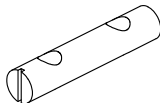


A-LINE

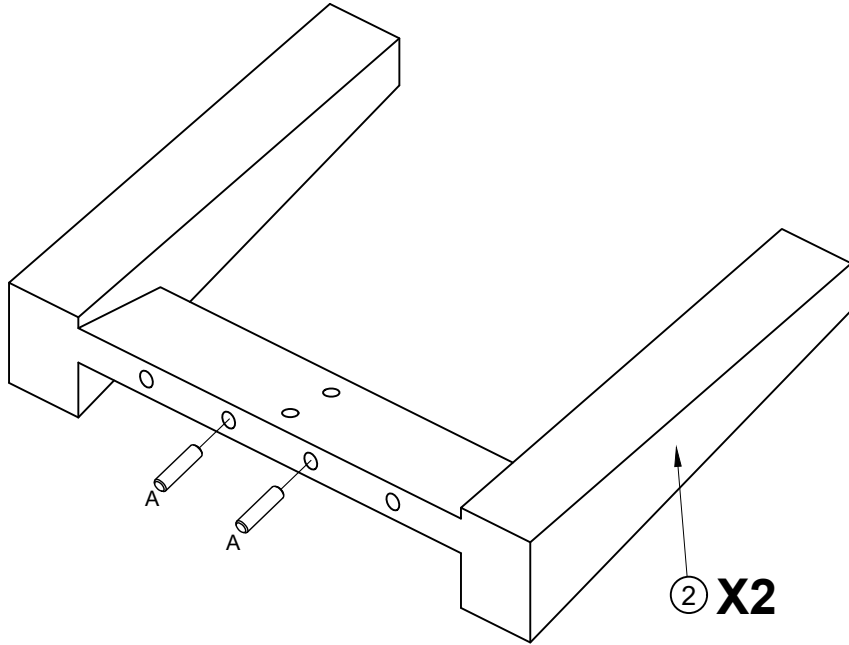
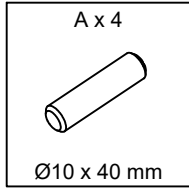


			✓
①	1	1600x450x469	
②	2	356x250x64	
③	1	1148x64x25	



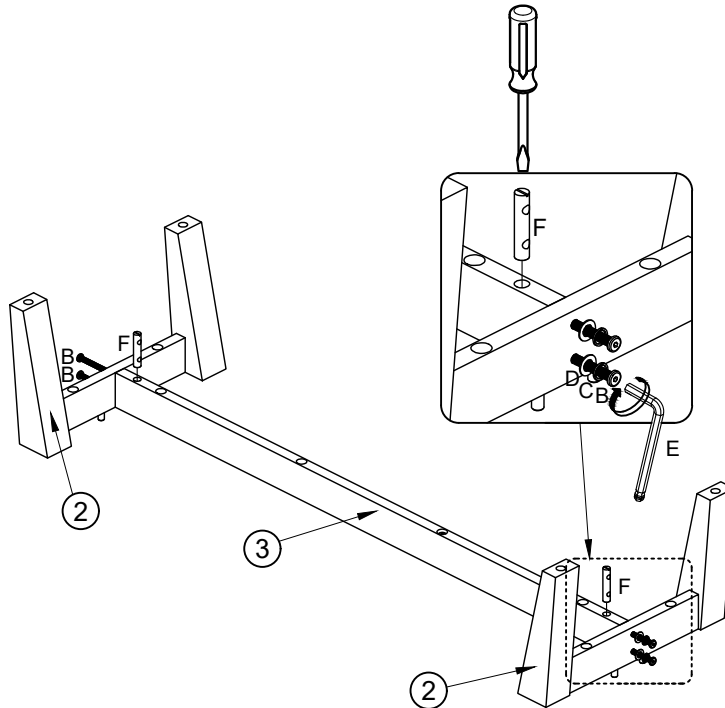
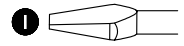
<p>A x 4</p>  <p>Ø10 x 40 mm</p>	<p>B x 12</p>  <p>M8 x 70 mm</p>	<p>C x 12</p>  <p>Ø8 mm</p>	<p>D x 12</p>  <p>Ø8/Ø15 mm</p>	<p>E x 1</p>  <p>5 mm</p>
<p>F x 2</p>  <p>Ø12 x 54 mm</p>				

1







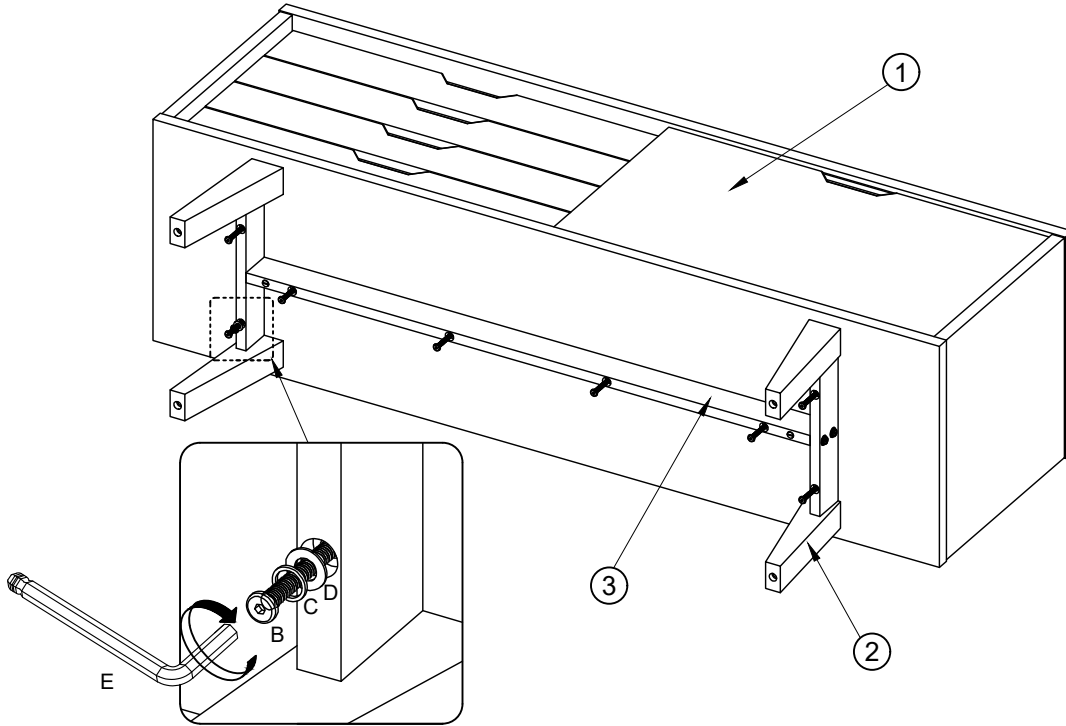
2

<p>B x 4</p> <p>M8 x 70 mm</p>	<p>C x 4</p> <p>Ø8 mm</p>	<p>D x 4</p> <p>Ø8/Ø15 mm</p>	<p>E x 1</p> <p>5 mm</p>	<p>F x 2</p> <p>Ø12 x 54 mm</p>
--------------------------------	---------------------------	-------------------------------	--------------------------	---------------------------------

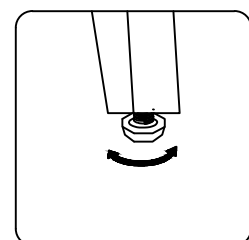
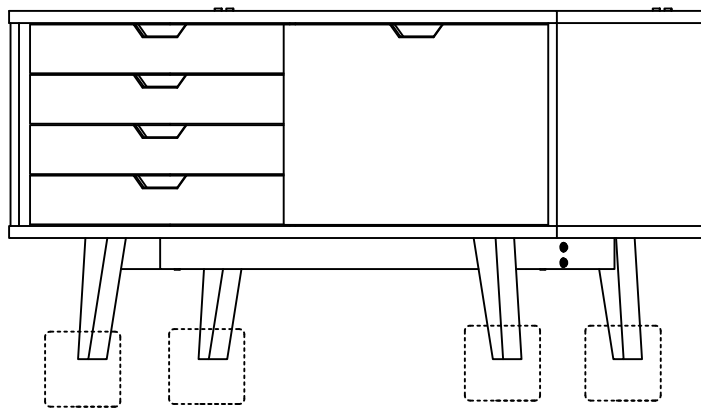


3

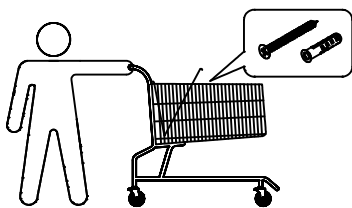
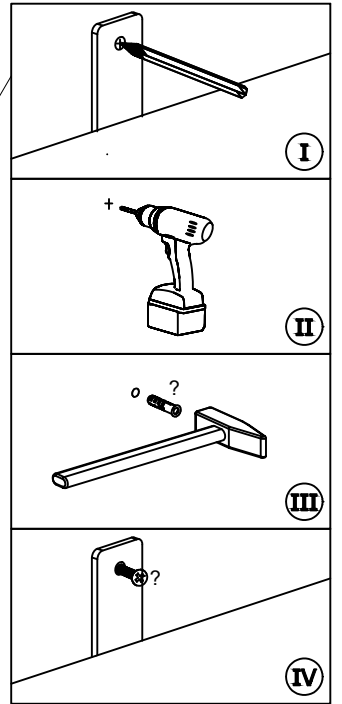
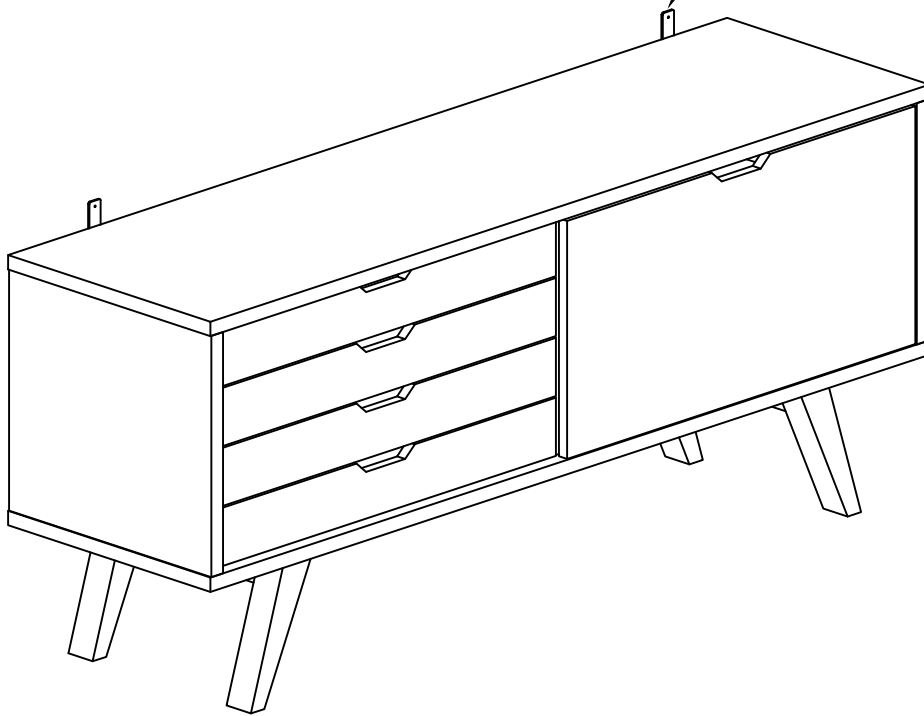
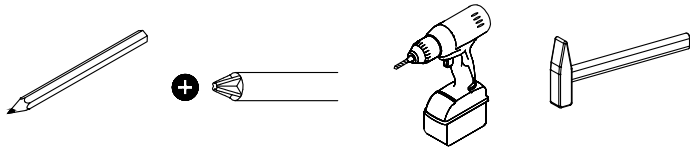
B x 8	C x 8	D x 8	E x 1
			
M8 x 70 mm	Ø8 mm	Ø8/Ø15 mm	5 mm



4



5



6

