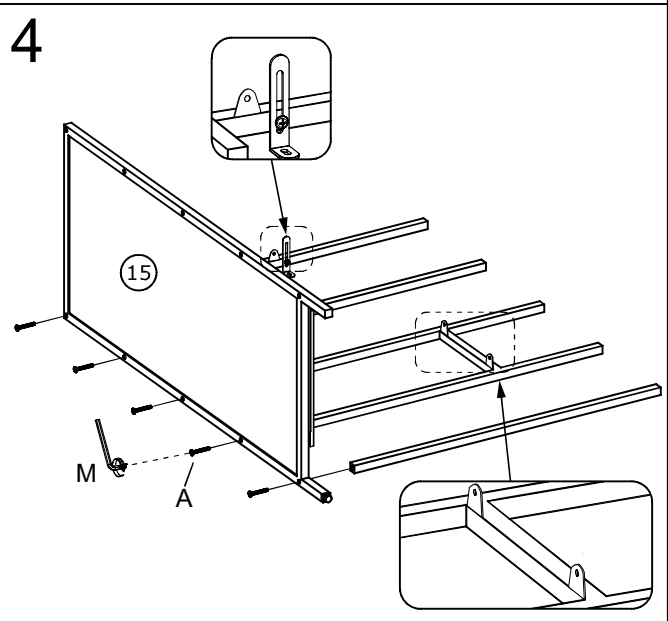
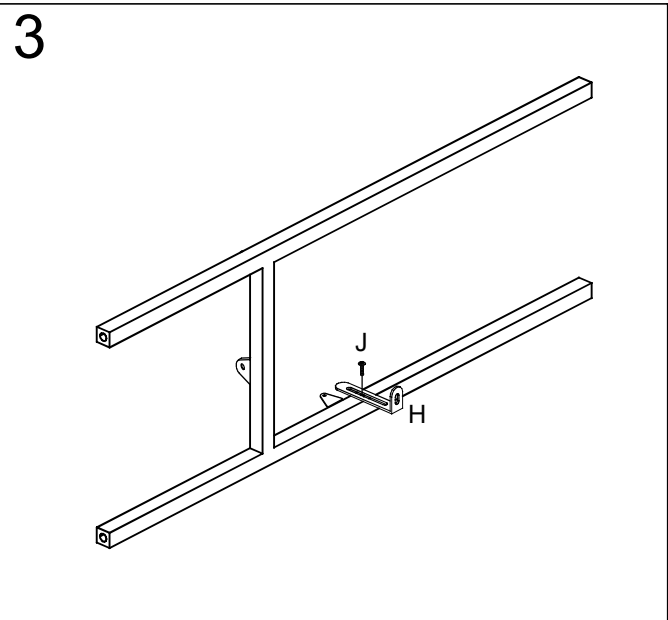
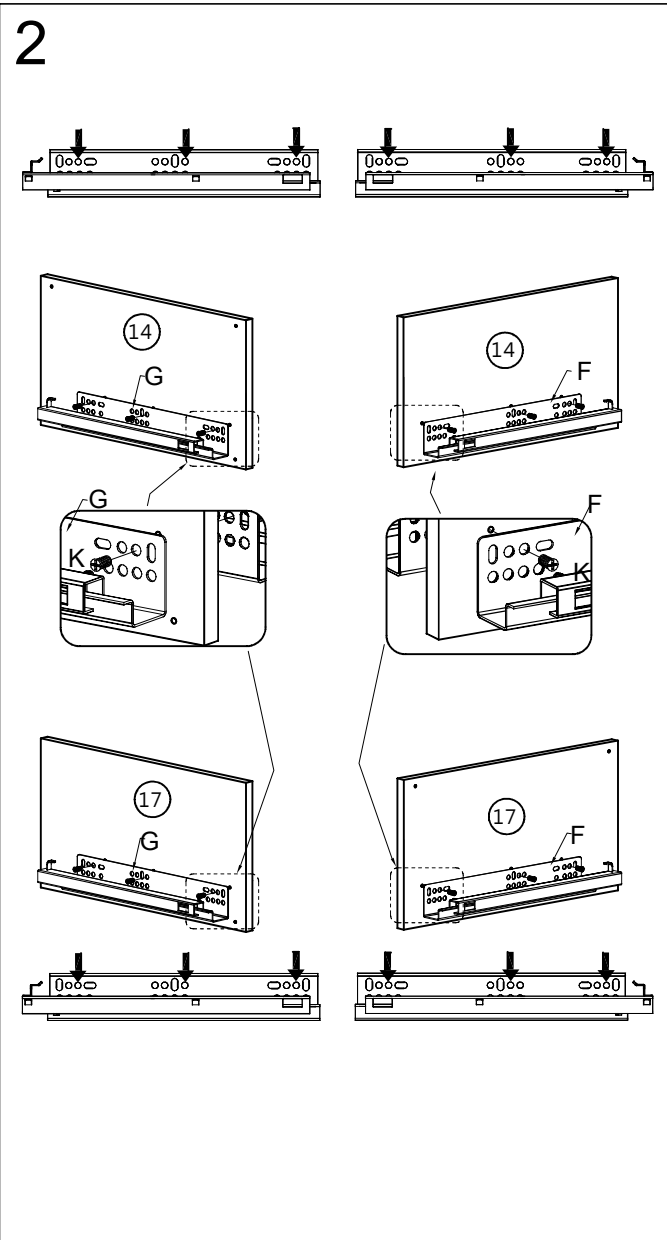
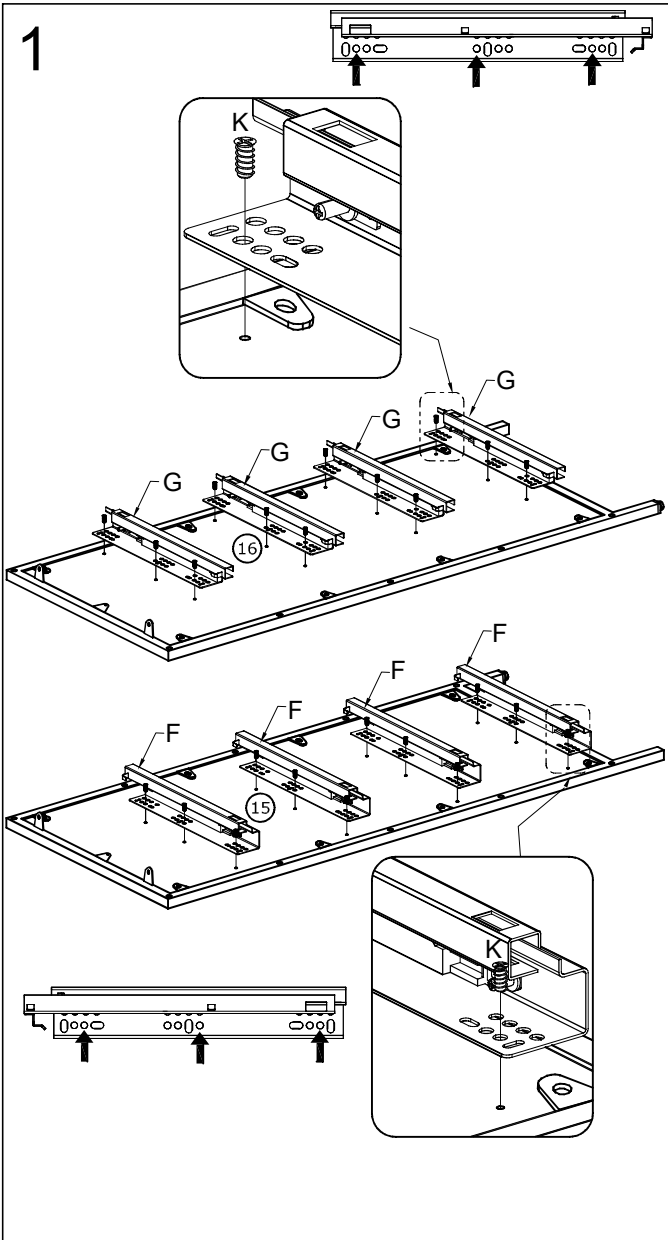
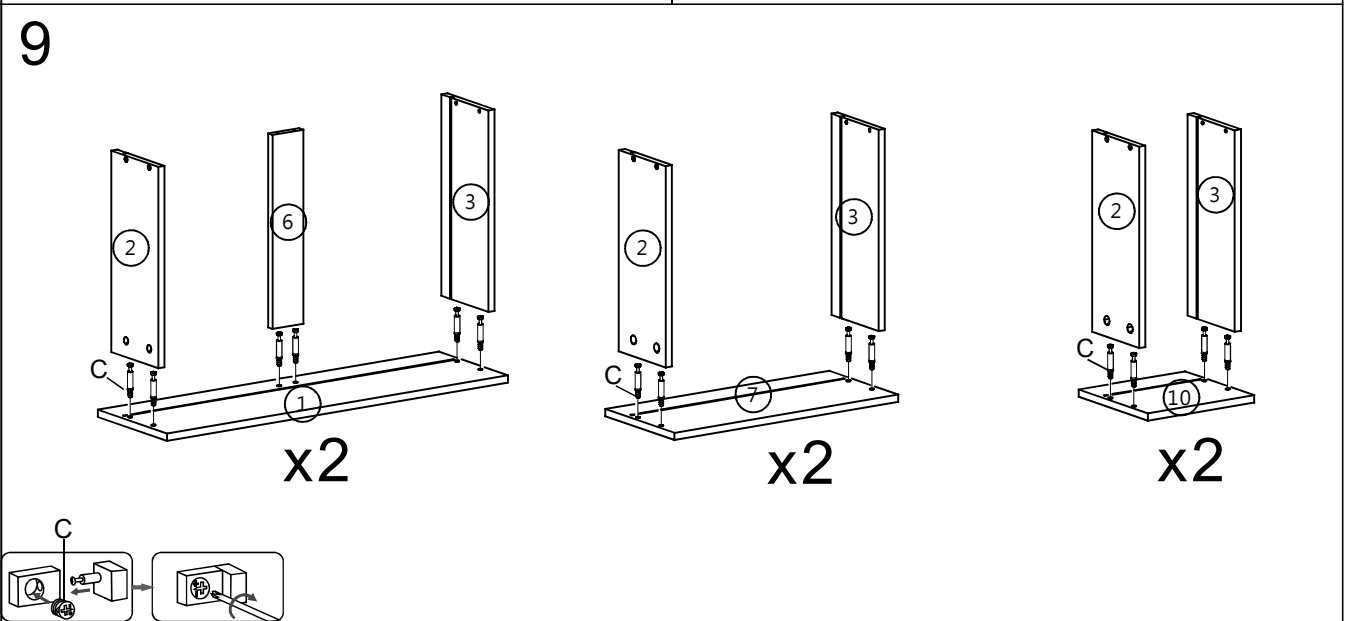
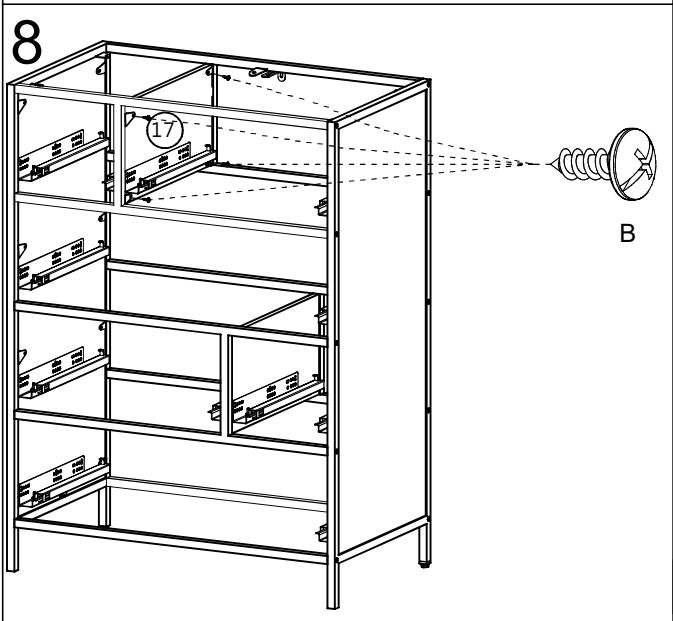
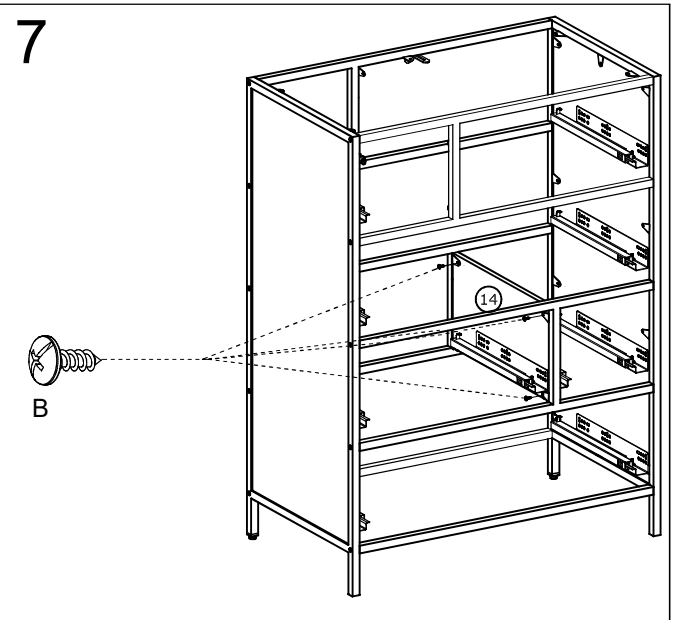
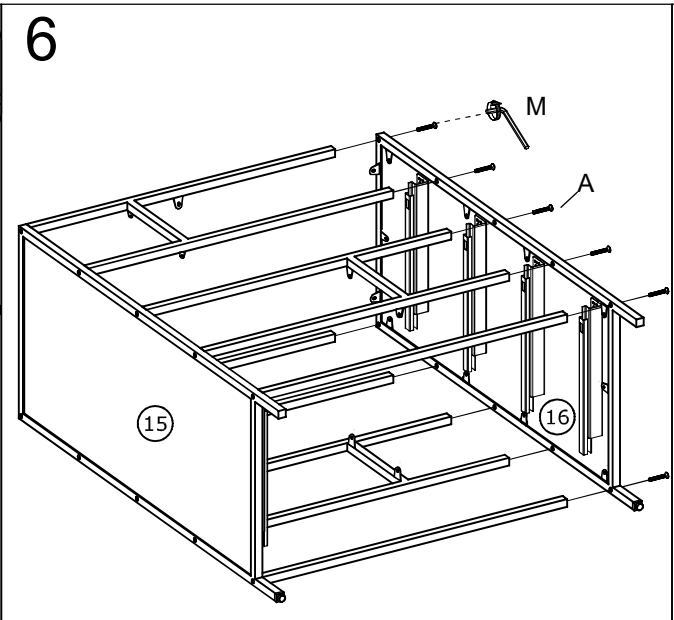
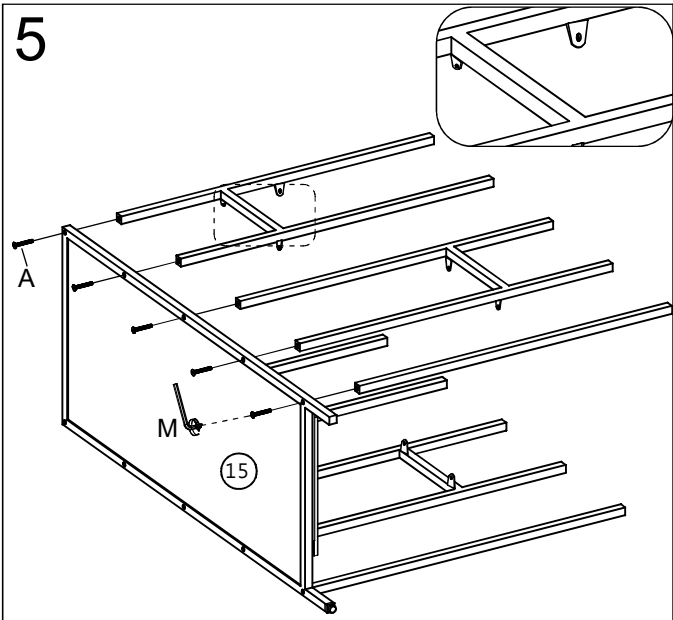
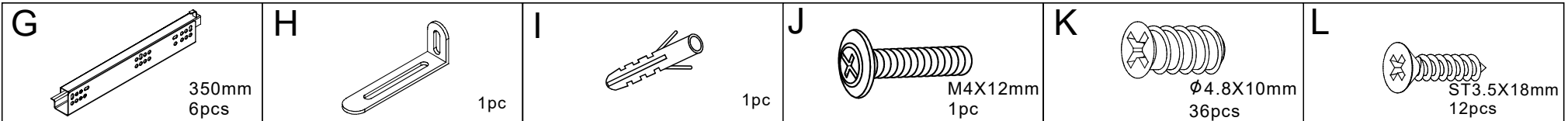
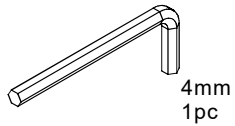


<p>A</p>  <p>M6X35mm 20pcs</p>	<p>B</p>  <p>ST4X12mm 14pcs</p>	<p>C</p>  <p>28pcs</p>	<p>D</p>  <p>ST4X25mm 1pc</p>	<p>E</p>  <p>ST4X35mm 28pcs</p>	<p>F</p>  <p>350mm 6pcs</p>
--	---	---	---	---	--

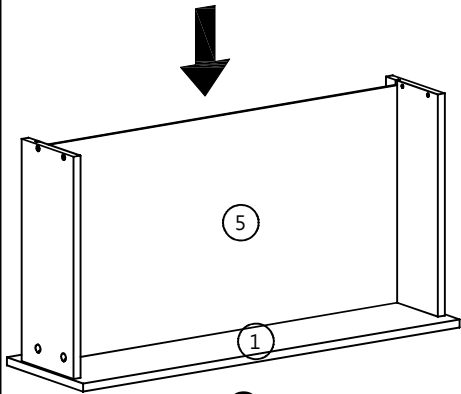




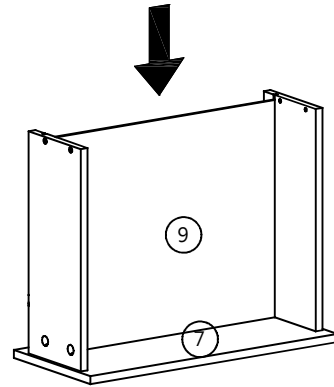
M



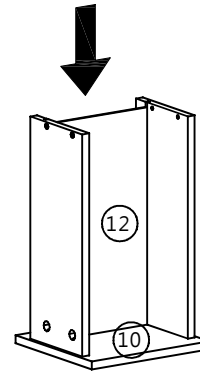
10



x2

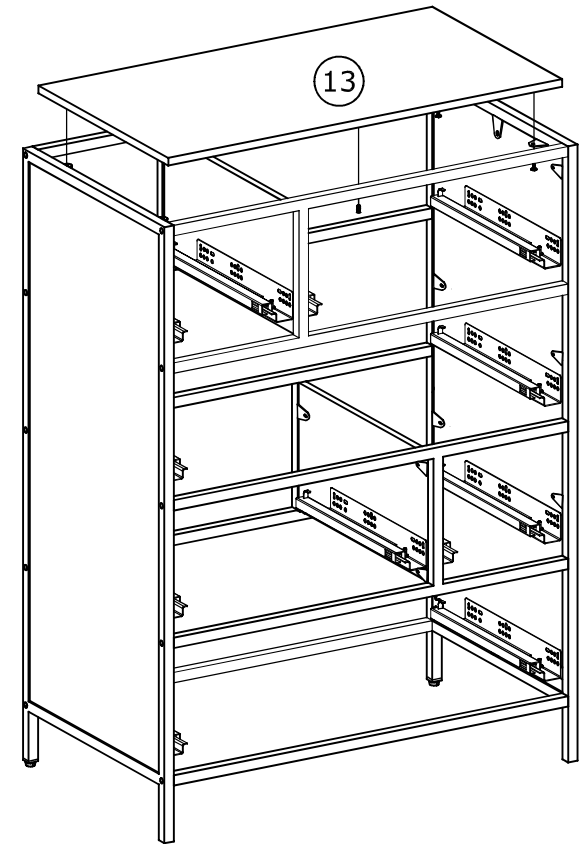
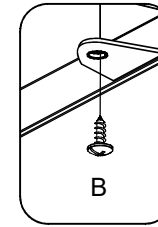


x2

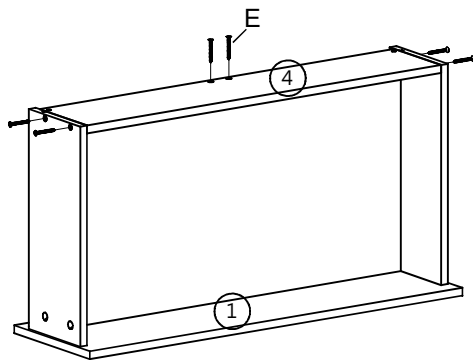


x2

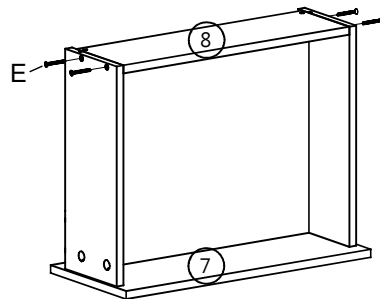
12



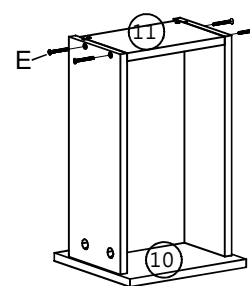
11



x2



x2



x2

--	--	--	--	--	--

13

I

II

III

IV

14

I

II

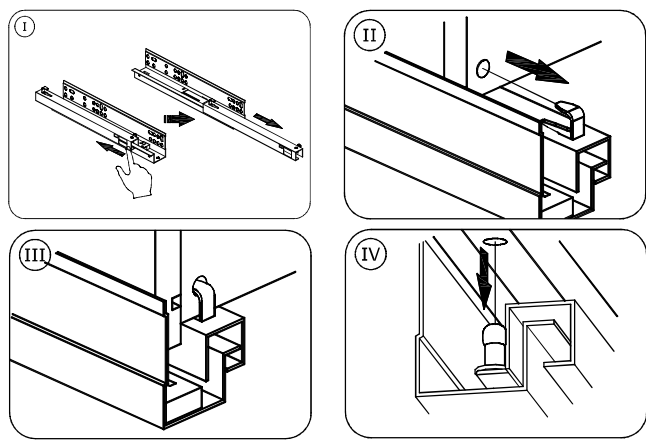
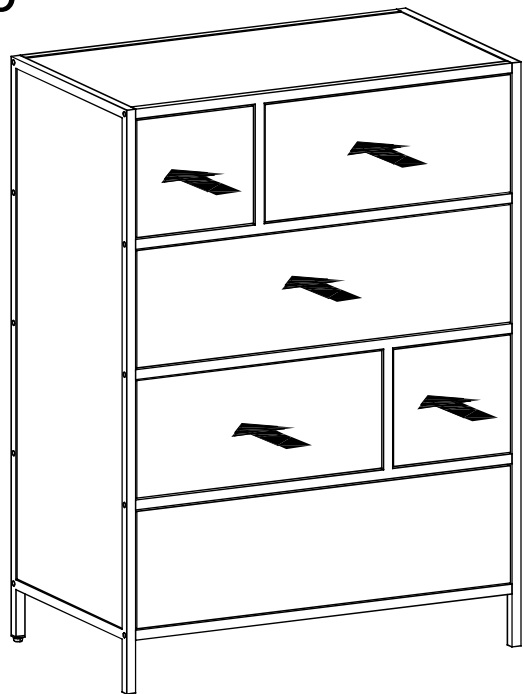
15

D

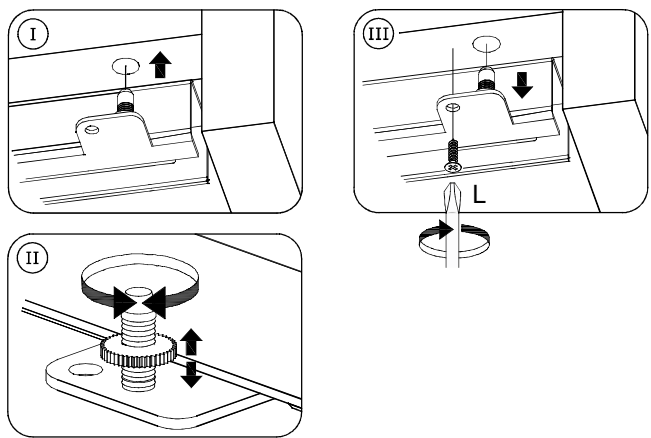
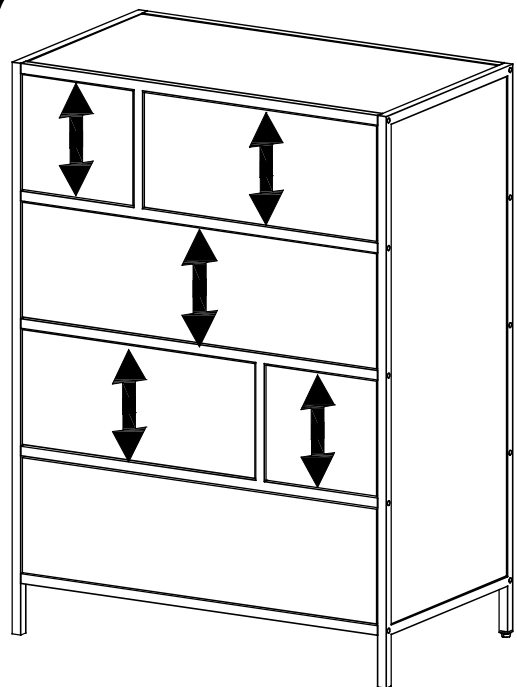
I

--	--	--	--	--	--

16



17



18

