



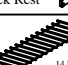






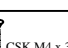
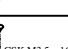
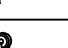

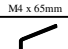
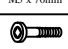




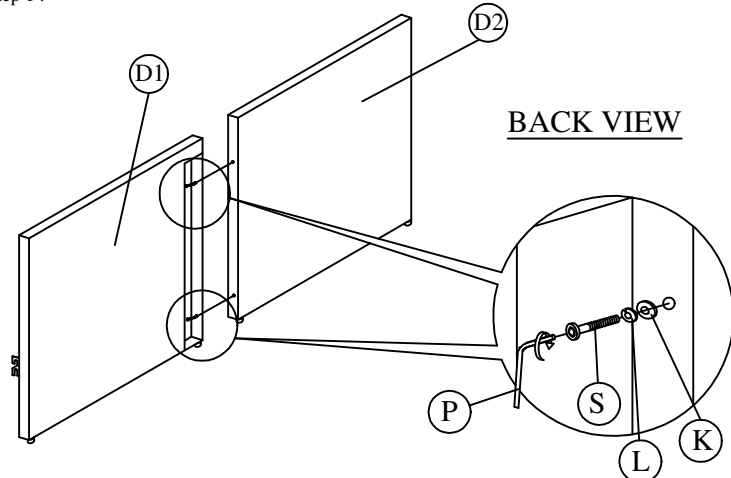
KOKKUPANEKUJUHEND

VOODI JASPER 28523, 28524

ASSEMBLY INSTRUCTION

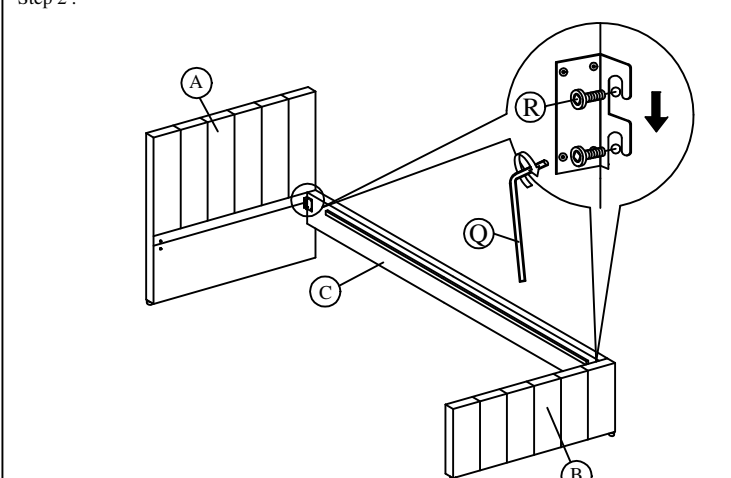
	Step 1 :	
A	 Headboard	1 pc
B	 Footboard	1 pc
C	 Side Rail	1 pc
D	 Back Rest	2 pcs
E	 14 Pcs Slat 897mm	1 pc
F	 14 Pcs Slat 897mm	1 pc
G	 Trundle Front Panel	1 pc
H	 Trundle Back Panel	1 pc
I	 Trundle Side Panel	2 pcs
J	 Wooden Block	4 pcs
K	 M6 Flat Washers	2 pcs
L	 M6 Spring Washers	2 pcs
M	 CSK M4 x 32mm	70 pcs
N	 CSK M3.5 x 16mm	24 pcs
O	 Roller	6 pcs
P	 M4 x 65mm	1 pc
Q	 M5 x 70mm	1 pc
R	 JCBB M8 X 20	16 pcs
S	 JCBC M6 X 50	2 pcs

Step 1 :

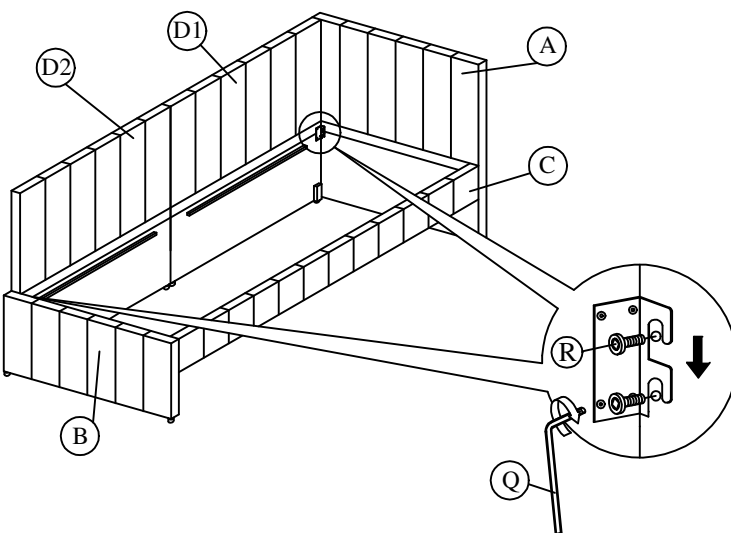


BACK VIEW

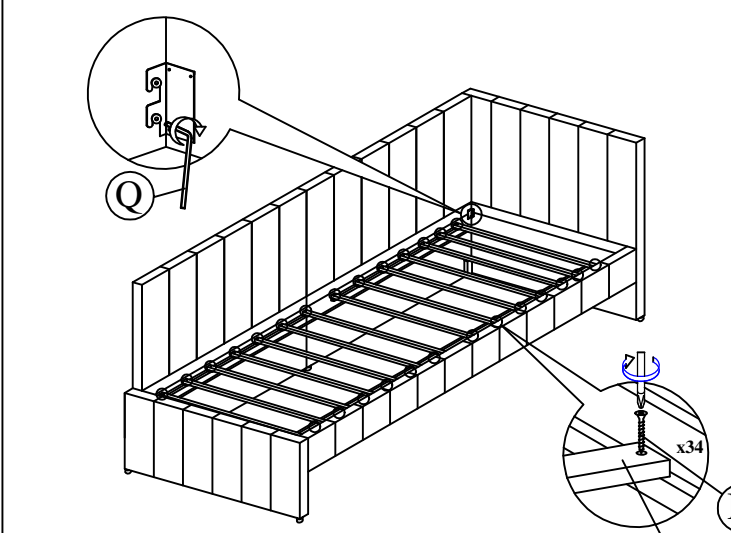
Step 2 :



Step 3 :



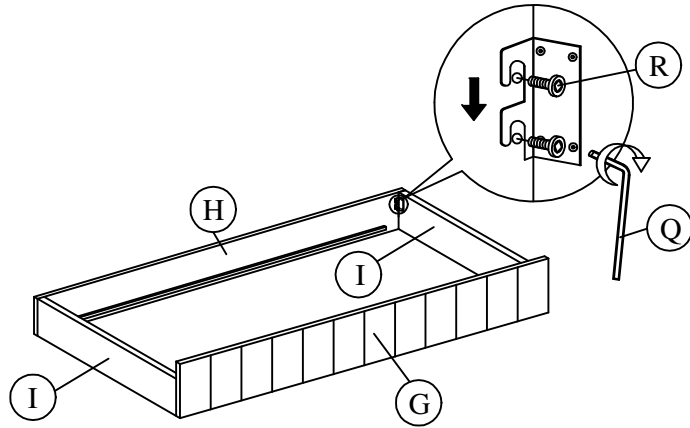
Step 4 :



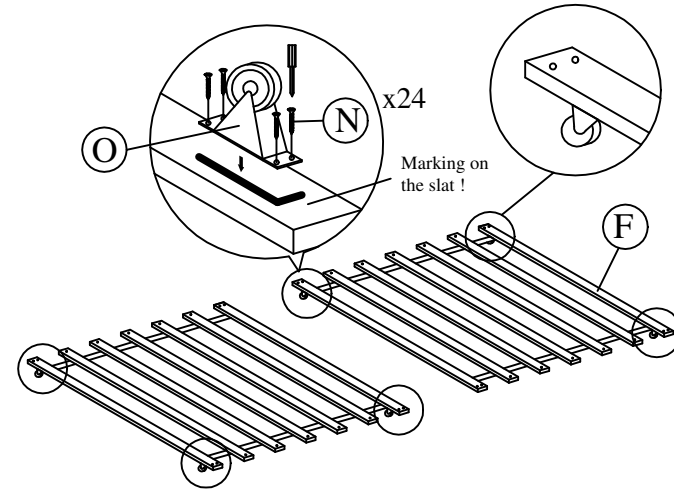
KOKKUPANEKUJUHEND

VOODI JASPER 28523, 28524

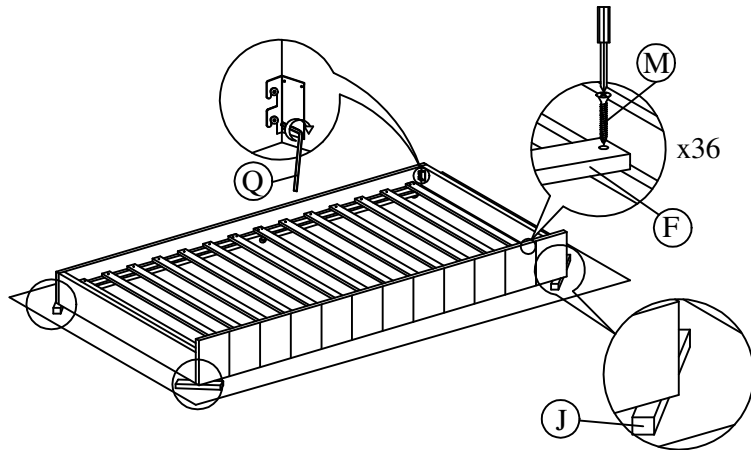
Step 5 :



Step 6 :



Step 7 :



Step 8 :

