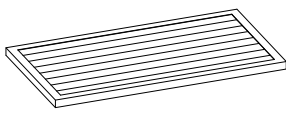




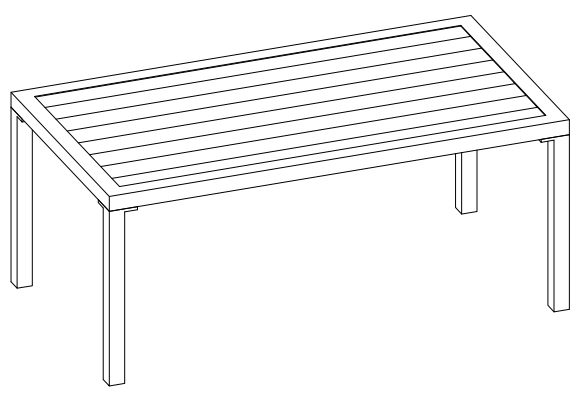
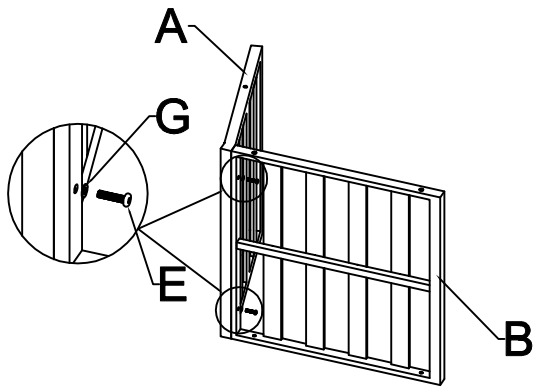


STEP 1

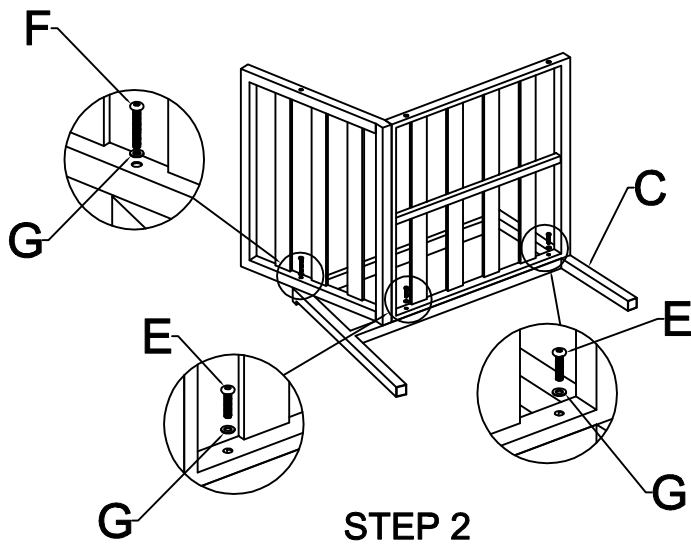
No.	Part List	Qty
A		1
B		4
C	 M6x15mm	16
D		16
		1



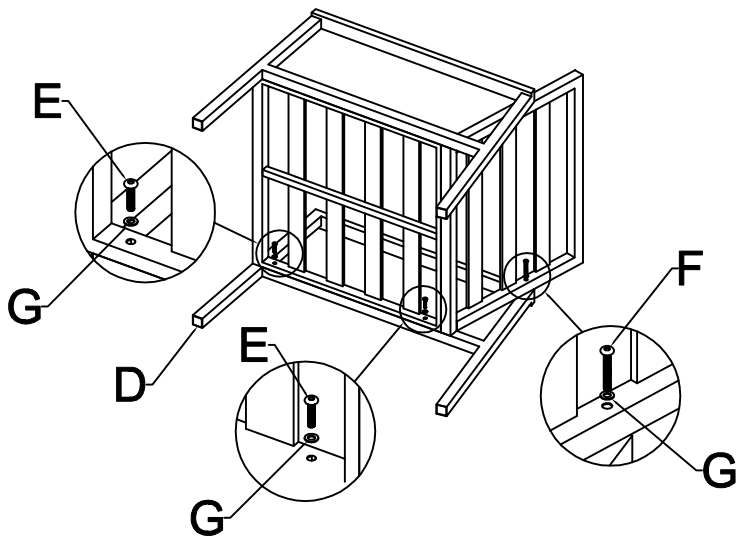
STEP 2



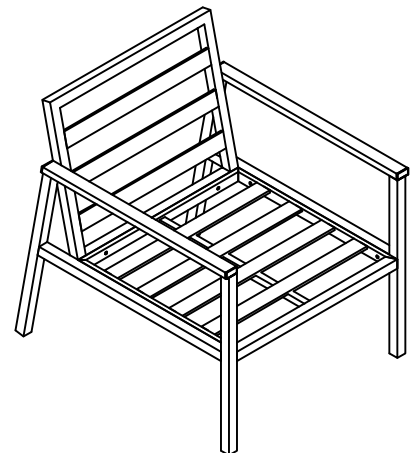
STEP 1





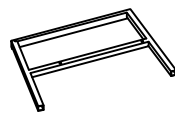
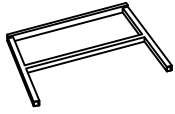
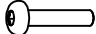
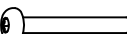


STEP 2

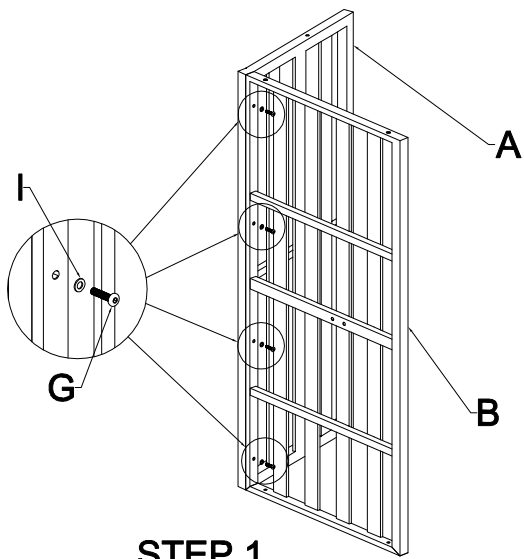


STEP 3

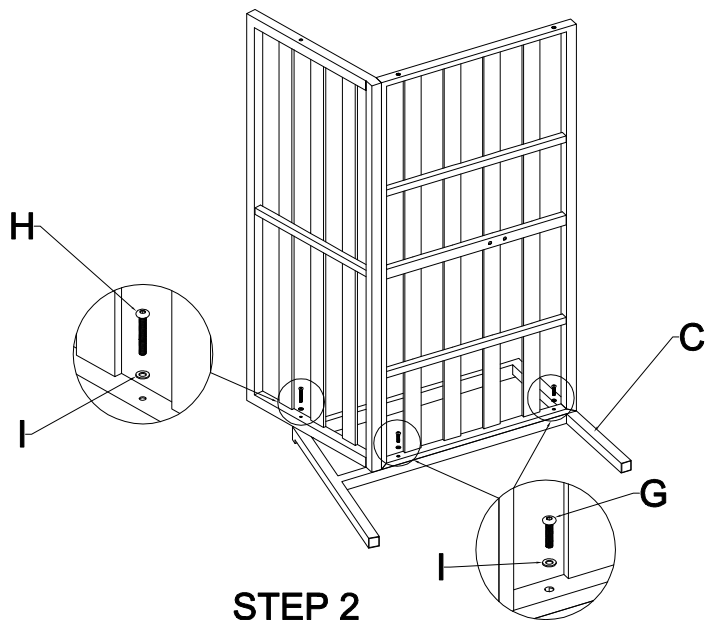


STEP 4

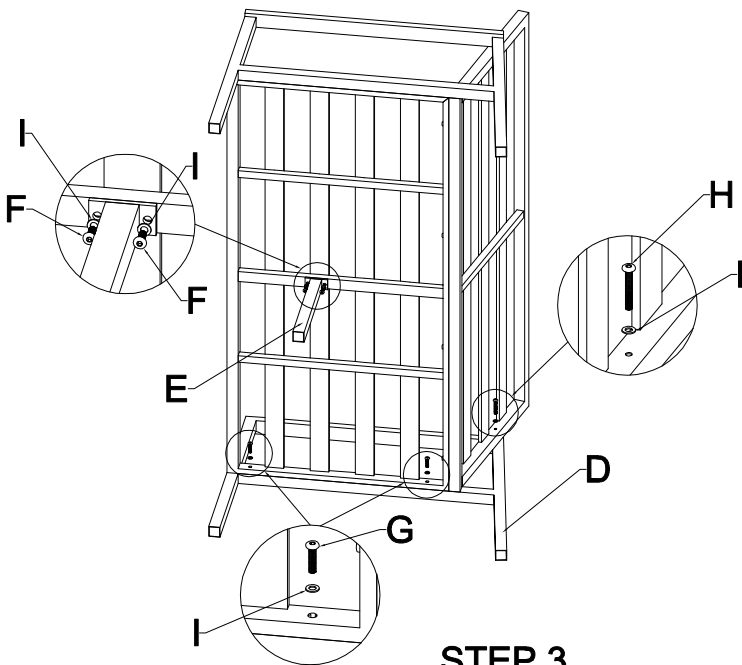
No.	Part List	Qty
A		1
B		1
C		1
D		1
E	 M6x25mm	6
F	 M6x45mm	2
G		8
		1



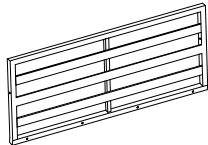
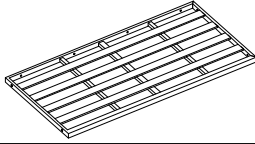
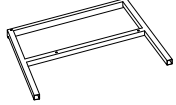
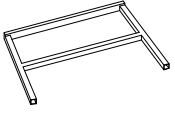
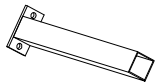





STEP 1

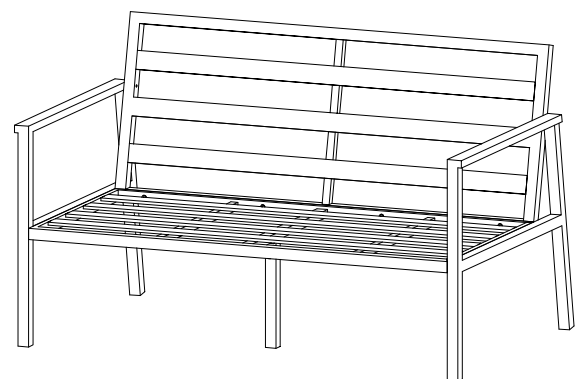


STEP 2



STEP 3

No.	Part List	Qty
A		1
B		1
C		1
D		1
E		1
F	 M6x15mm	2
G	 M6x25mm	8
H	 M6x45mm	2
I		12
		1



STEP 4