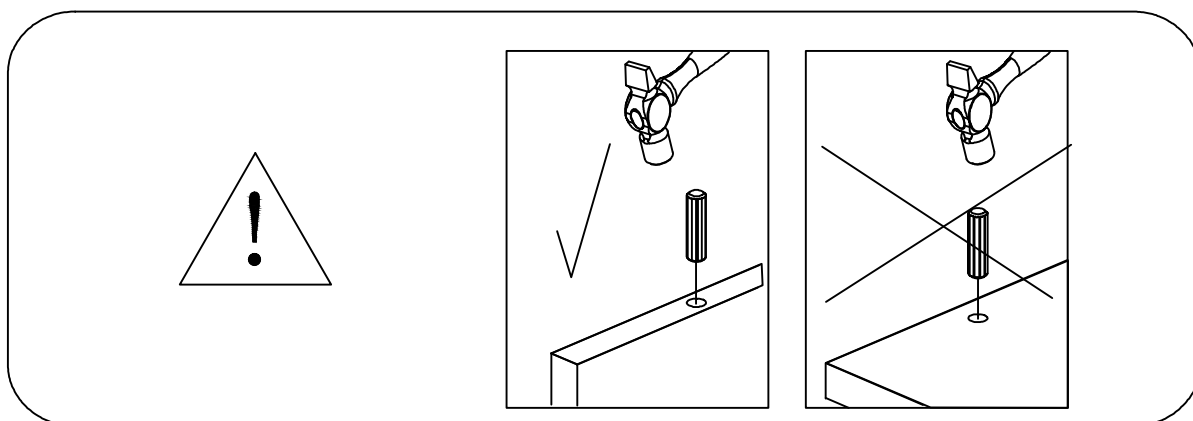
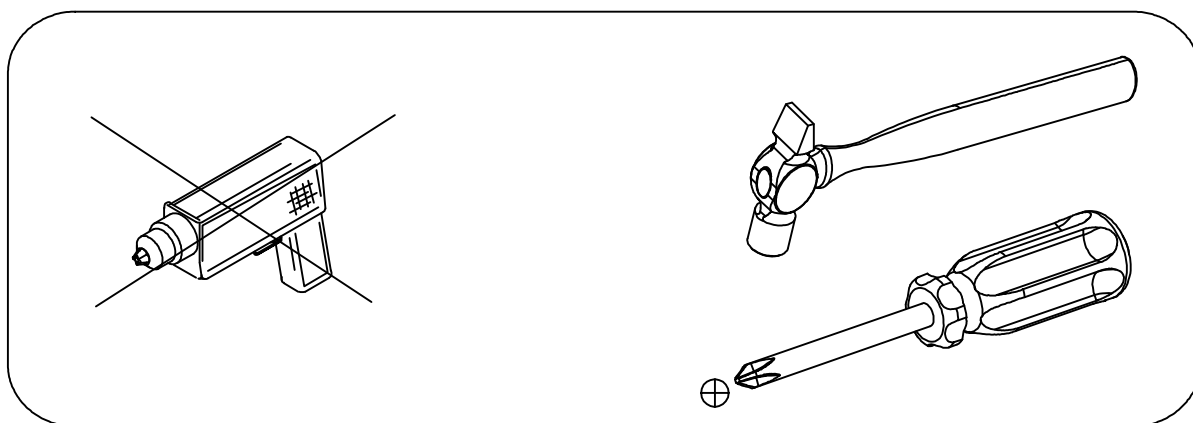
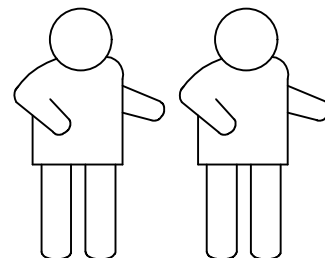
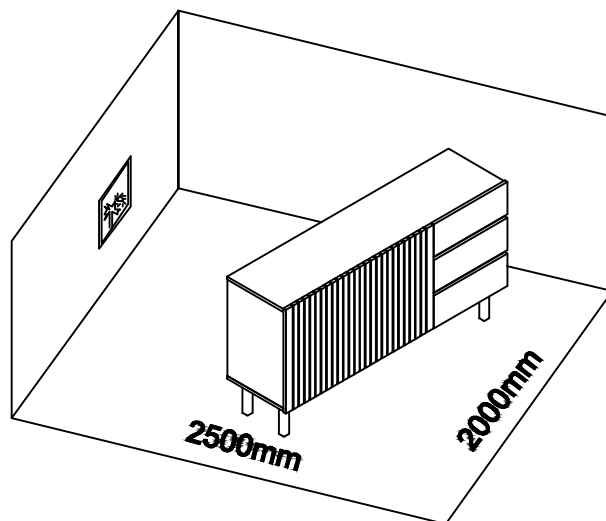
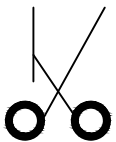
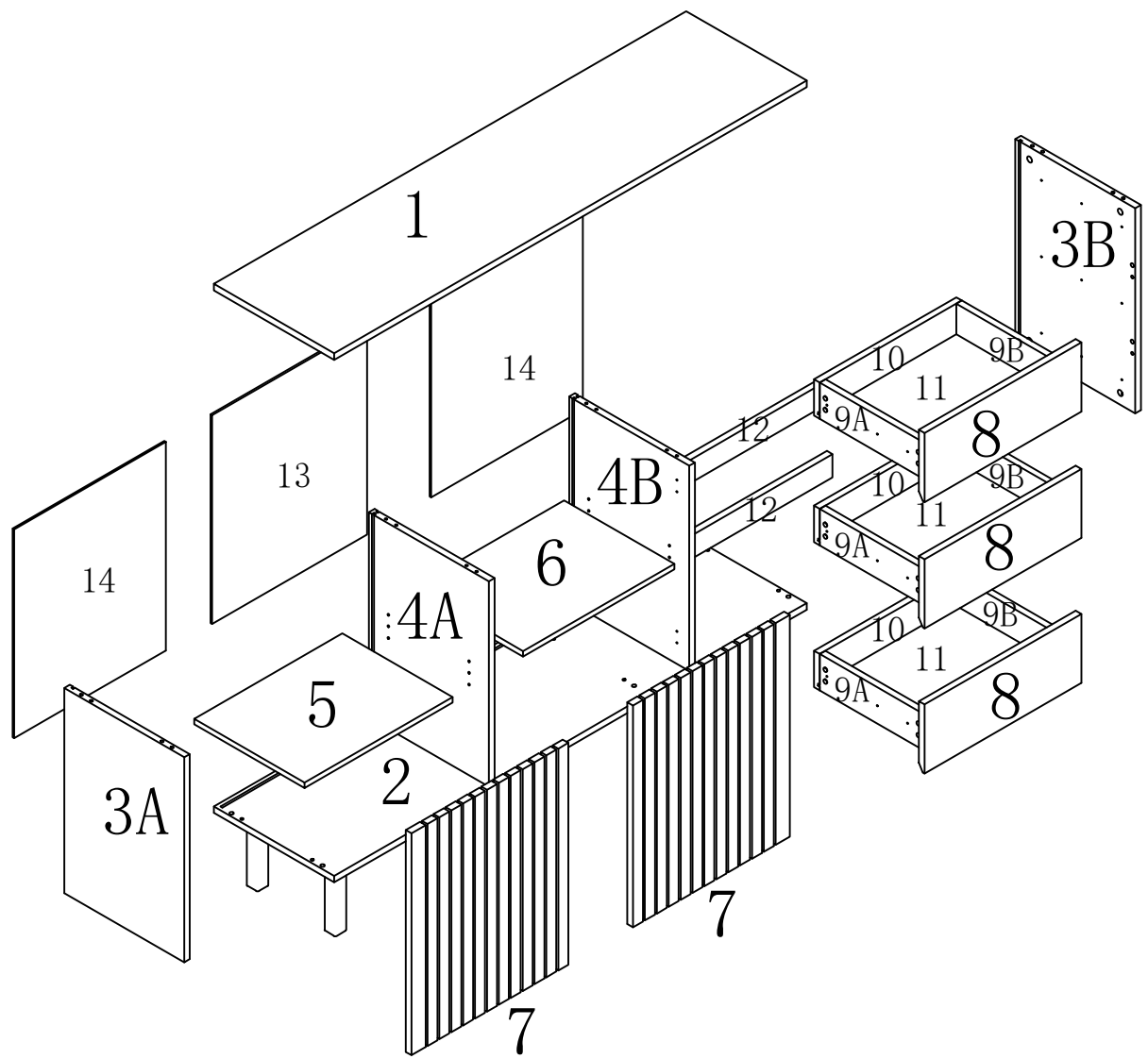


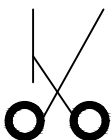
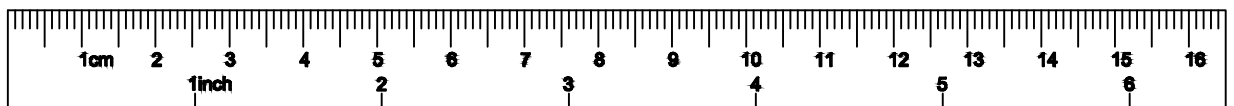
60 min








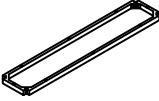

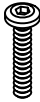

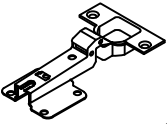

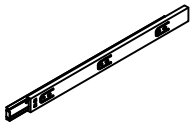

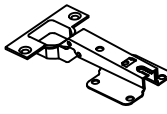
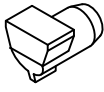

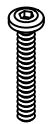


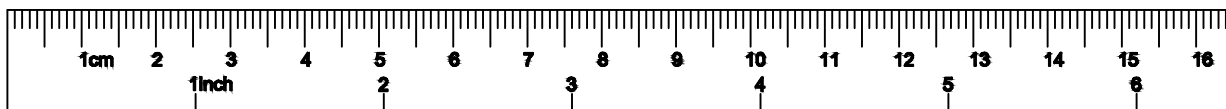
22101

1	1	1500*382*18MM
2	1	1500*382*18MM
3A	1	381*564*18MM
3B	1	381*564*18MM
4A	1	381*564*18MM
4B	1	381*564*18MM
5	1	470*350*15
6	1	480*350*15
7	2	498*610*18MM
8	3	498*190*18MM
9A	3	332*100*18MM
9B	3	332*100*18MM
10	3	451*100*18MM
11	3	425*342*5MM
12	2	471*64*18MM
13	1	492*574*18MM
14	2	482*574*18MM

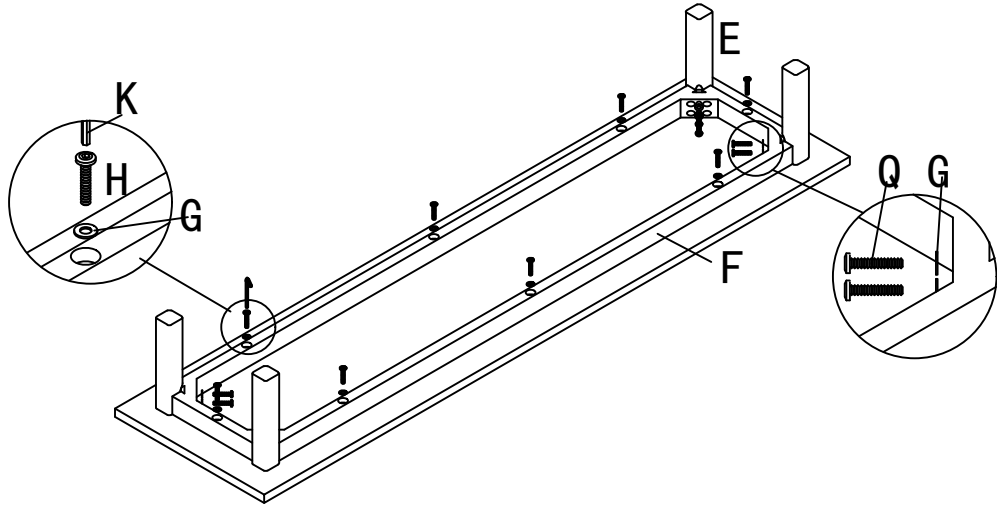
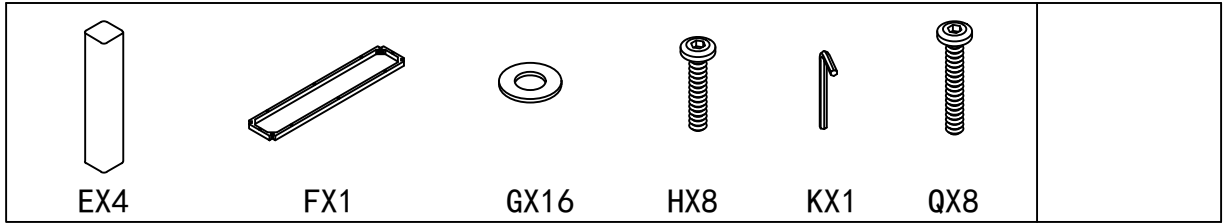




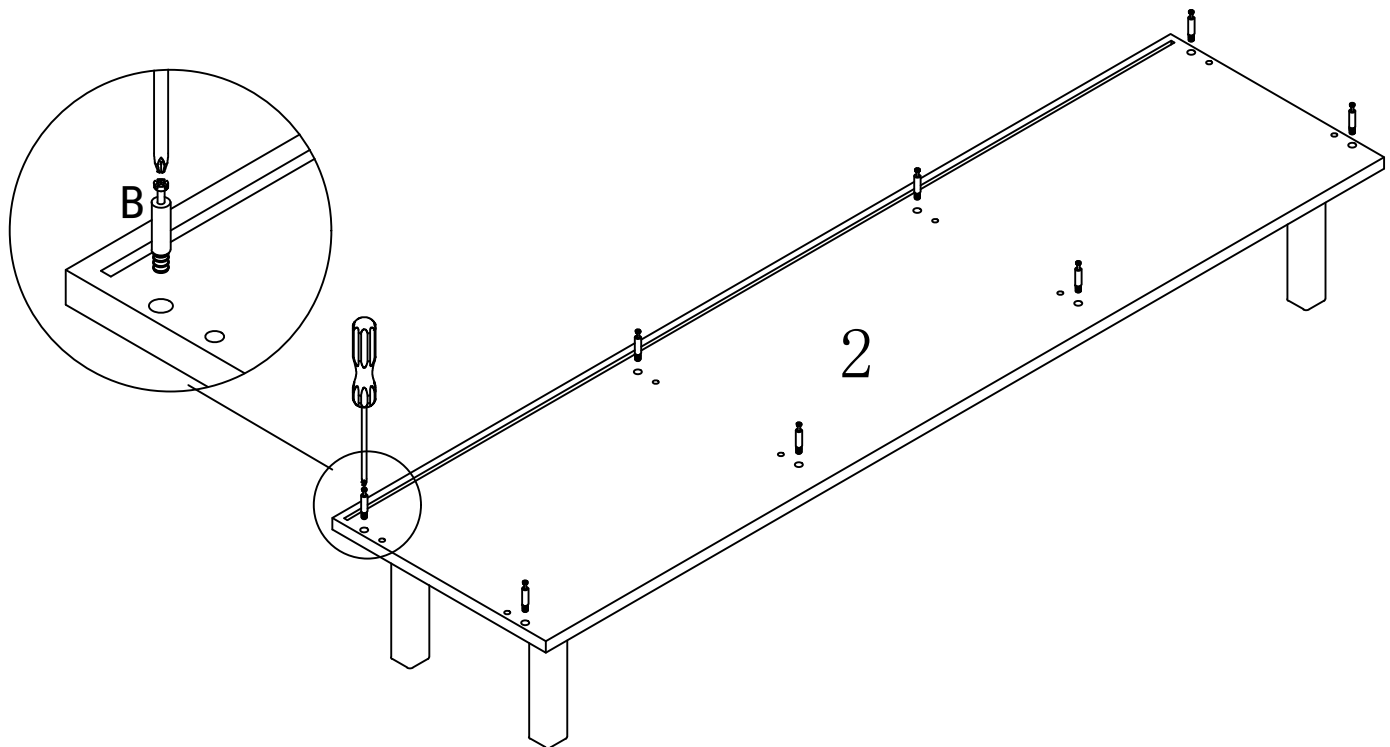
 φ 15*12 AX20	 M6*35 BX20	 φ 8*40 CX20	 M3.5*15 DX72
 EX4	 FX1	 GX16	 M6*45 HX8
 IX12	 JX2	 KX1	 LX6
 MX24	 NX2	 OX8	 PX24
 M6*50 QX8			



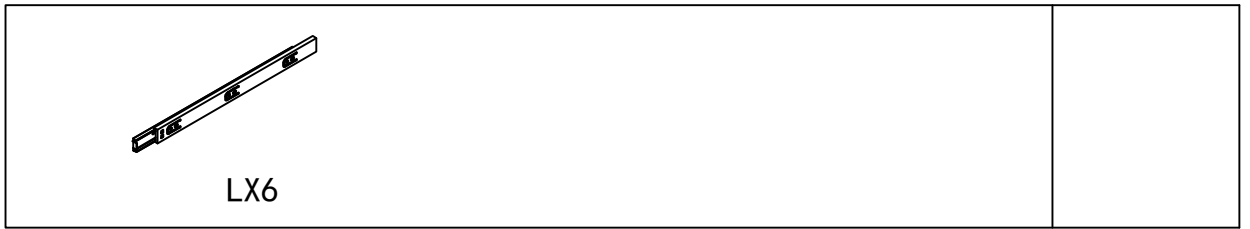
1



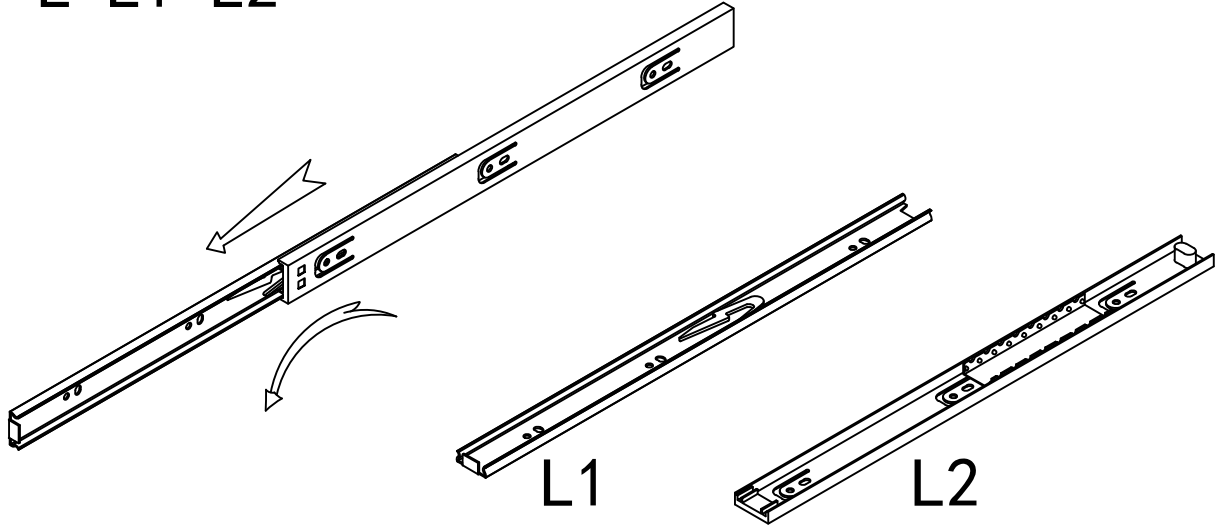
2



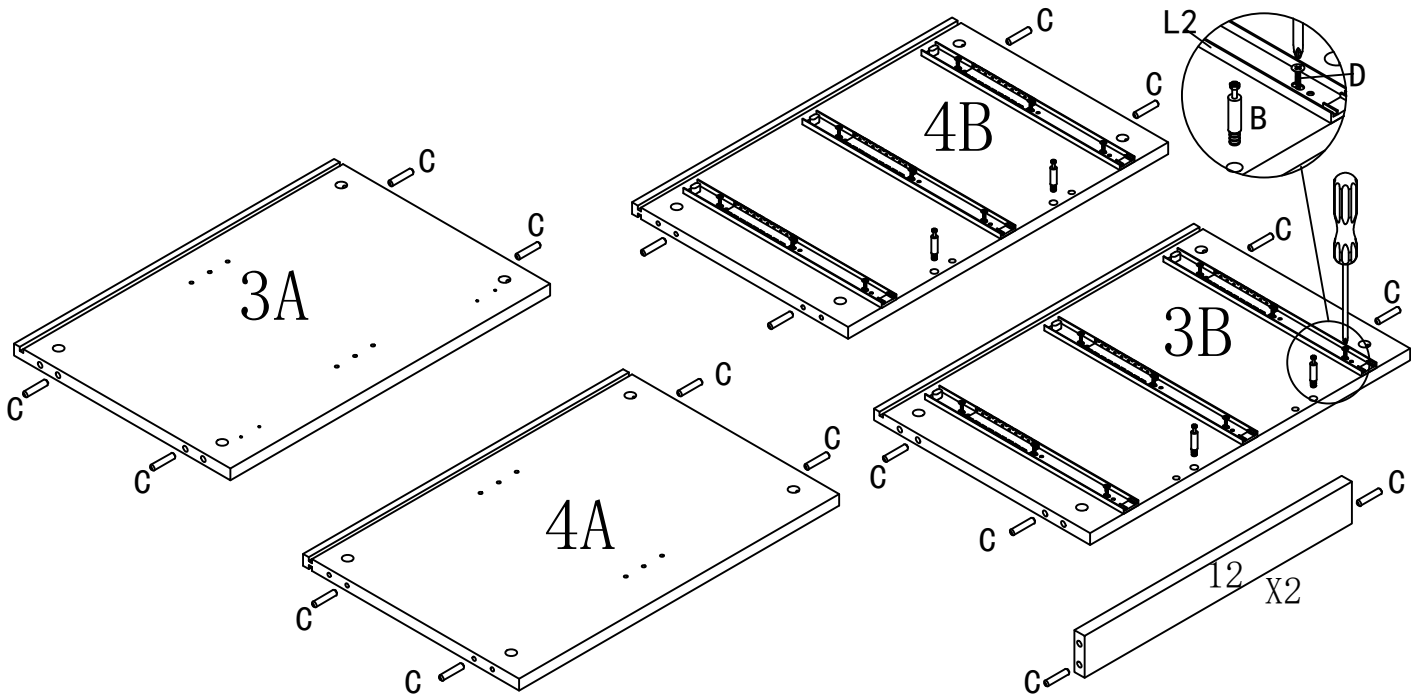
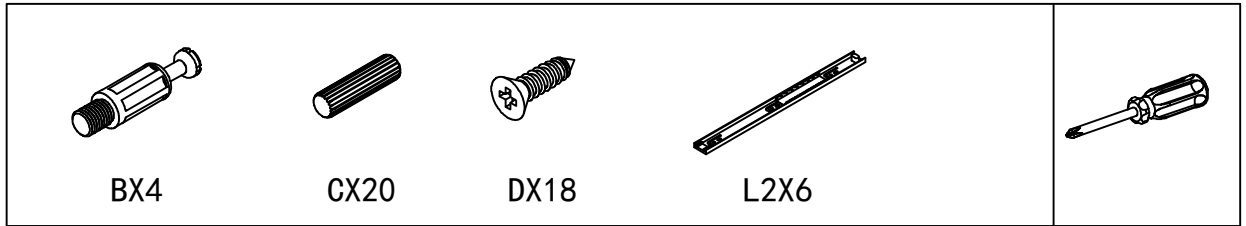
3



$$L=L1+L2$$



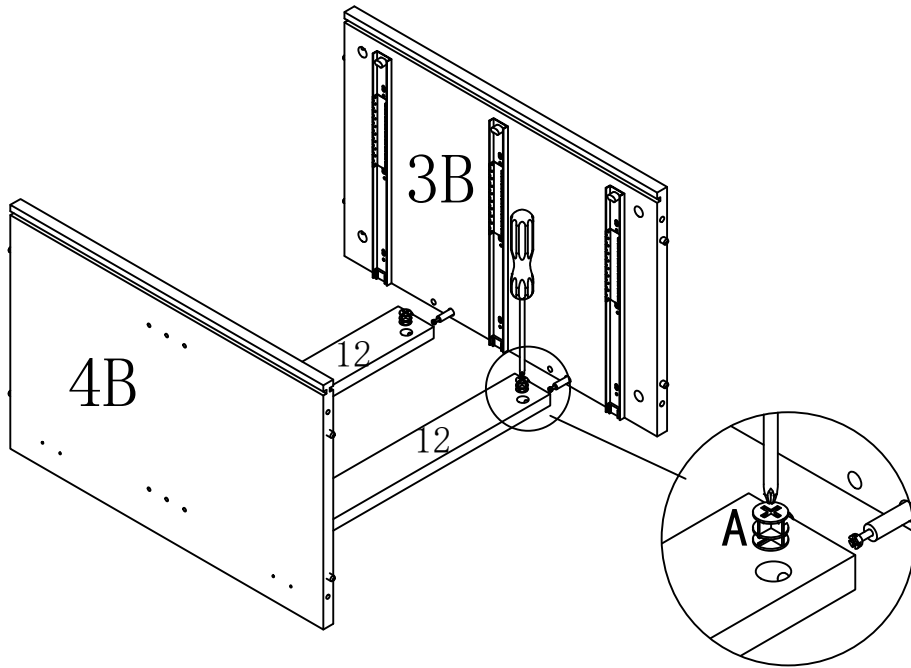
4



5



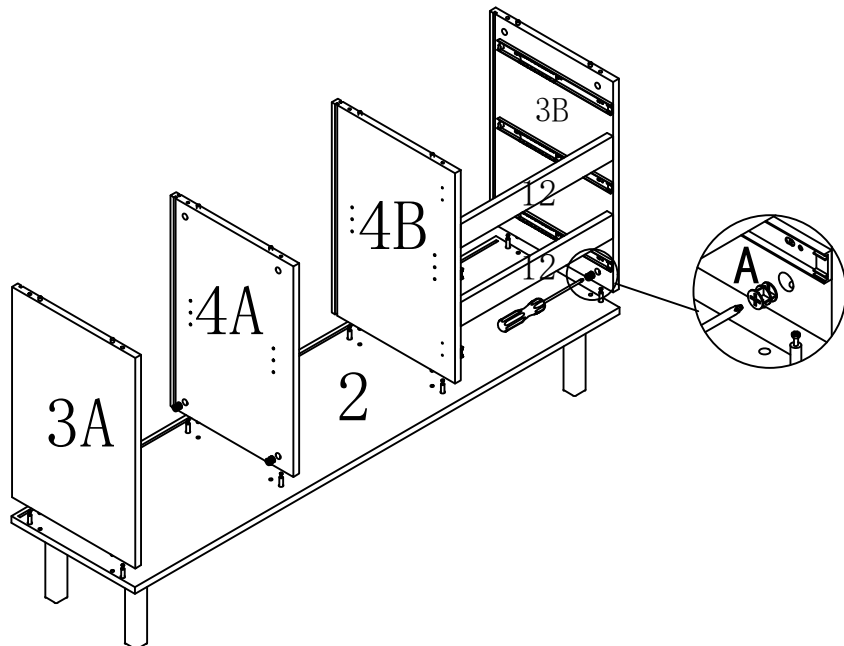
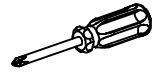
AX4



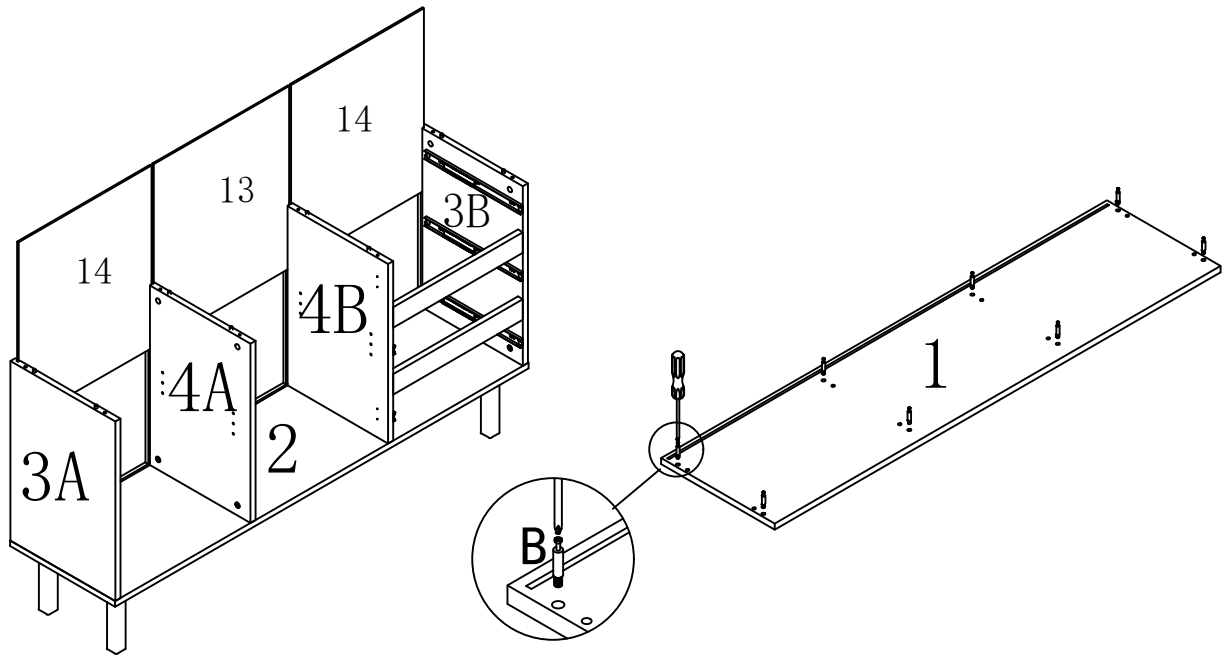
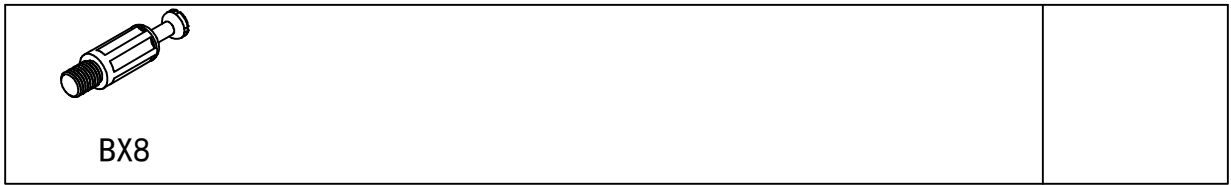
6



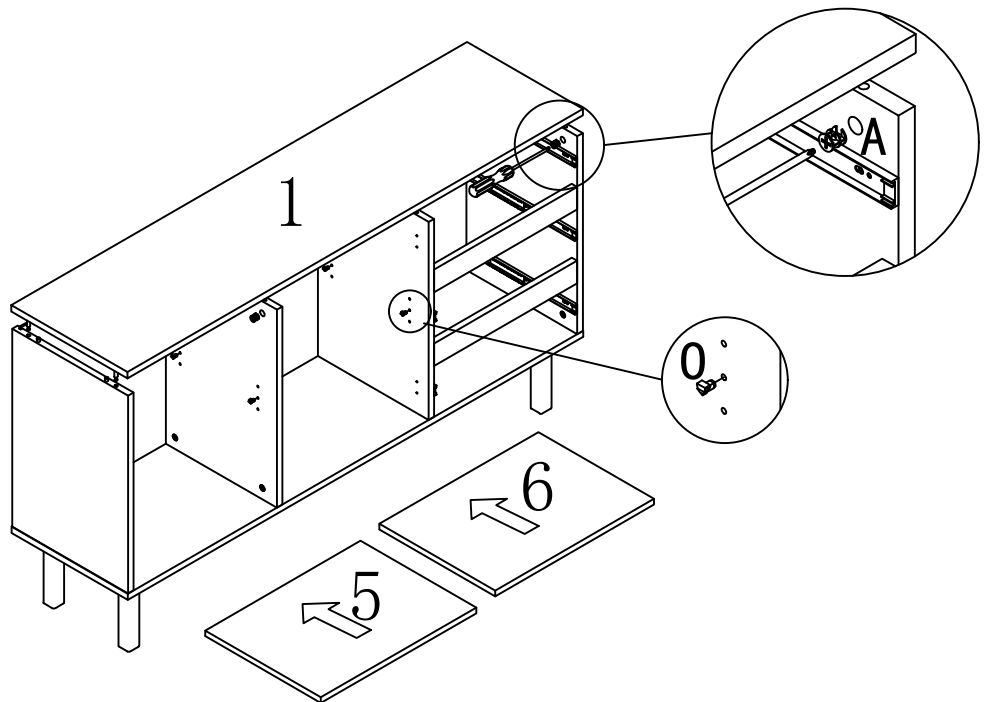
AX8



7

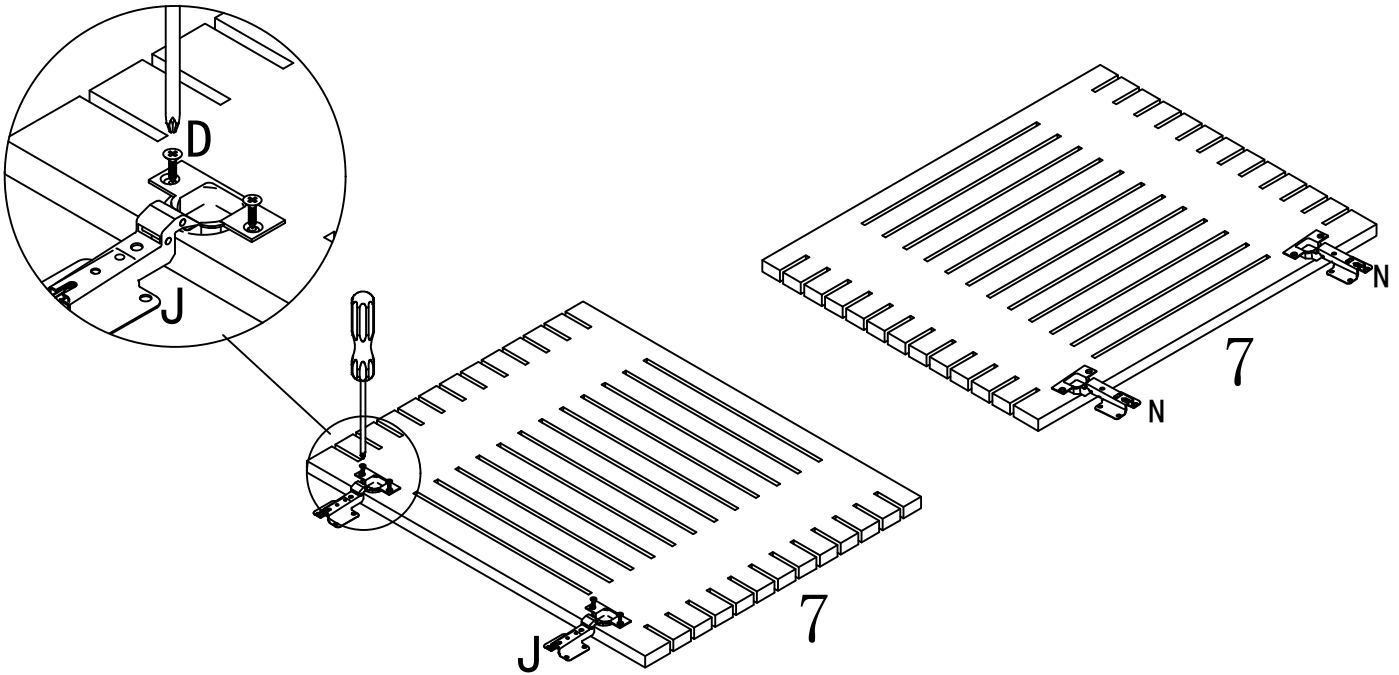
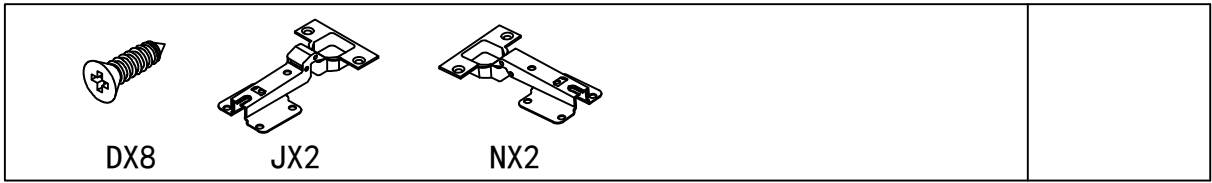


8

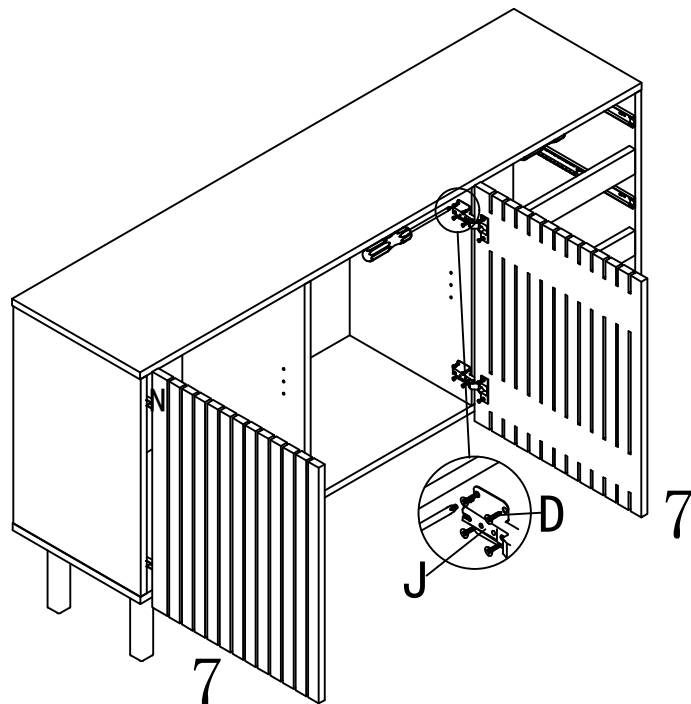
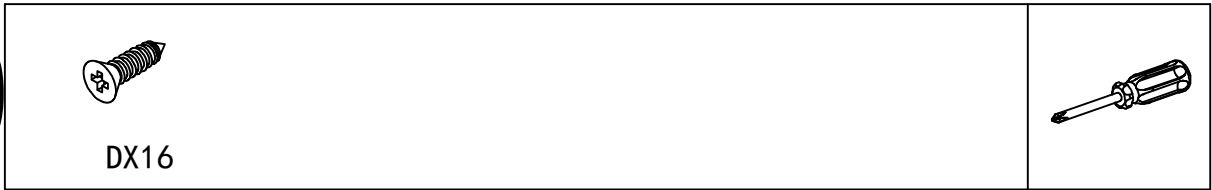


9-14

9

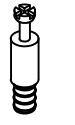


10

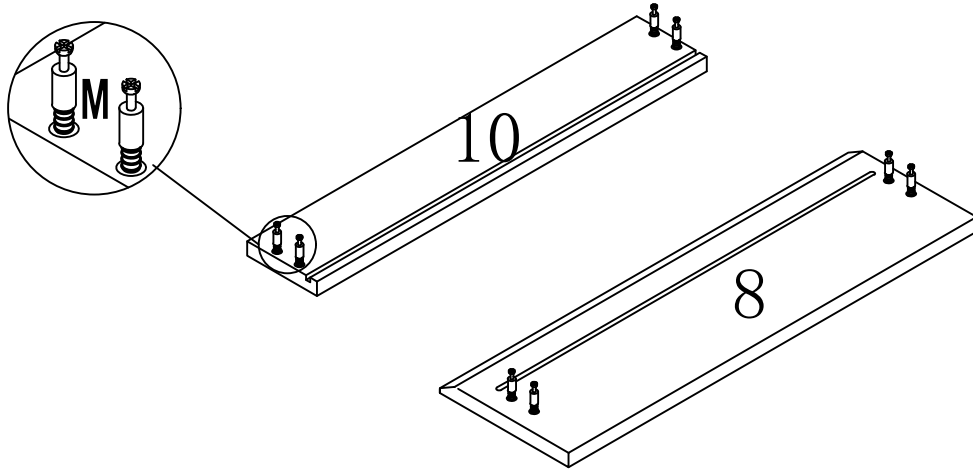


10-14

11



MX24

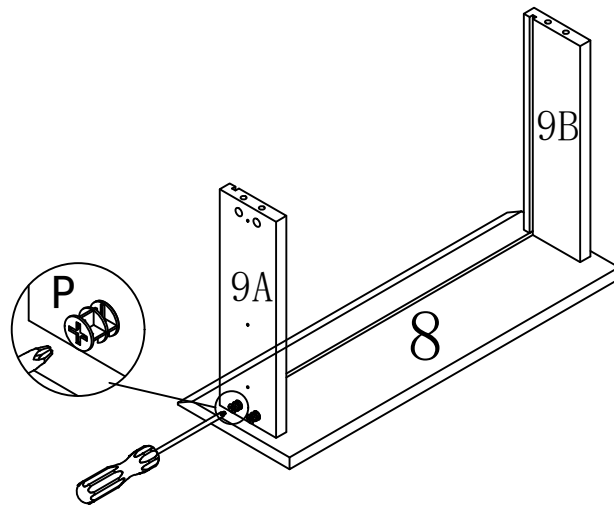


X3

12

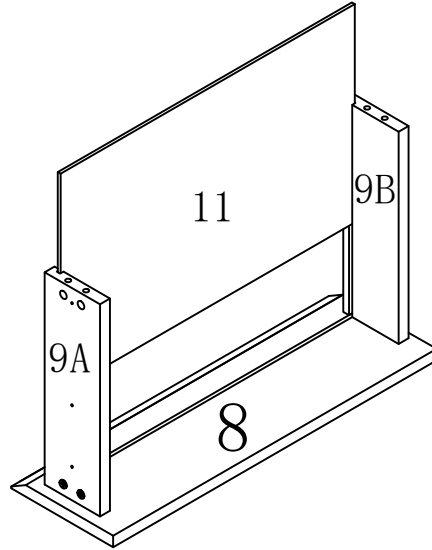


PX12

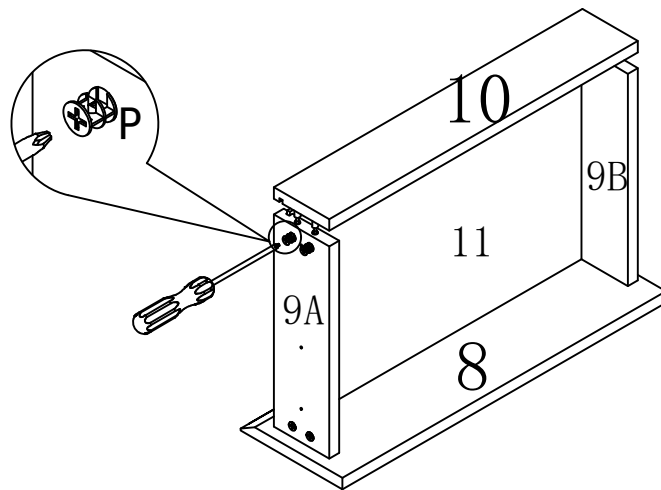


X3

13



14



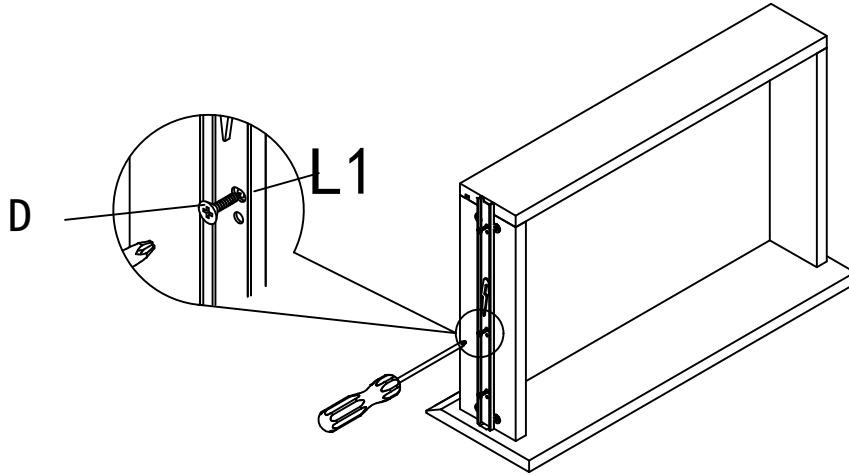
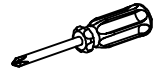
15



DX18



L1X6



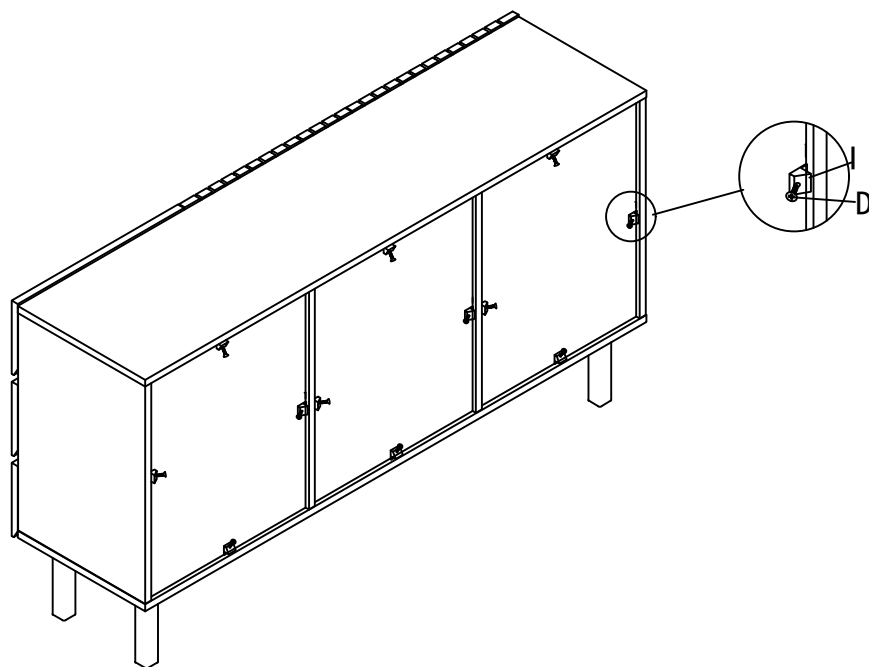
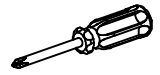
16



DX12



IX12



17

