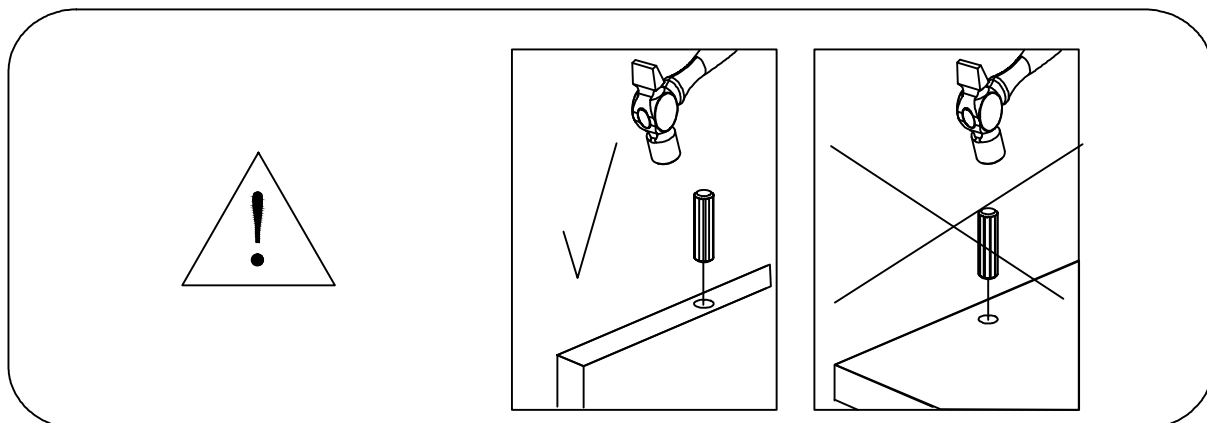
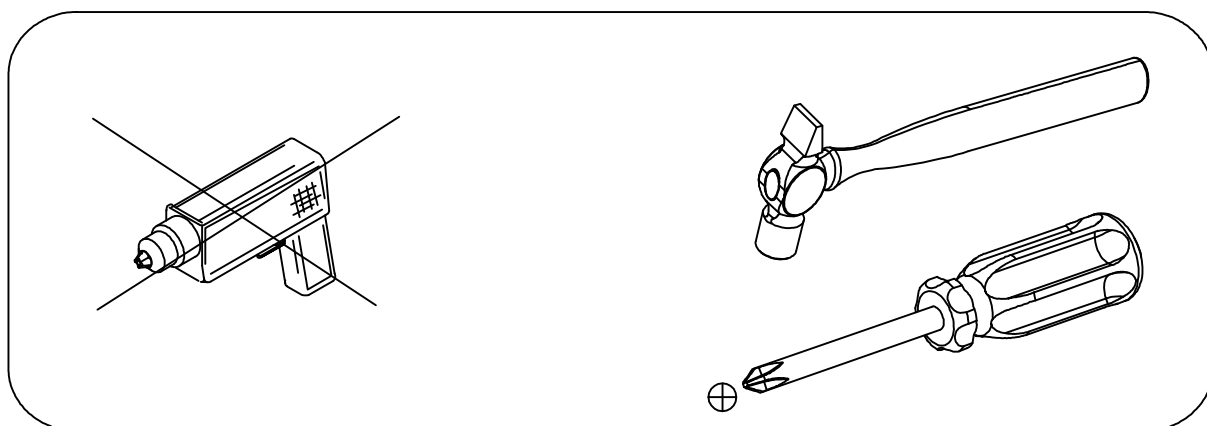
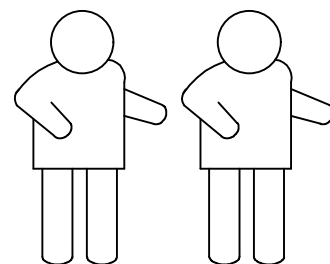
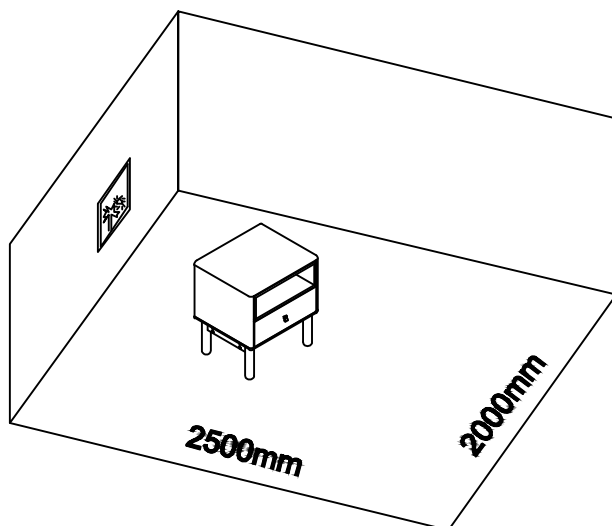
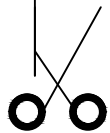
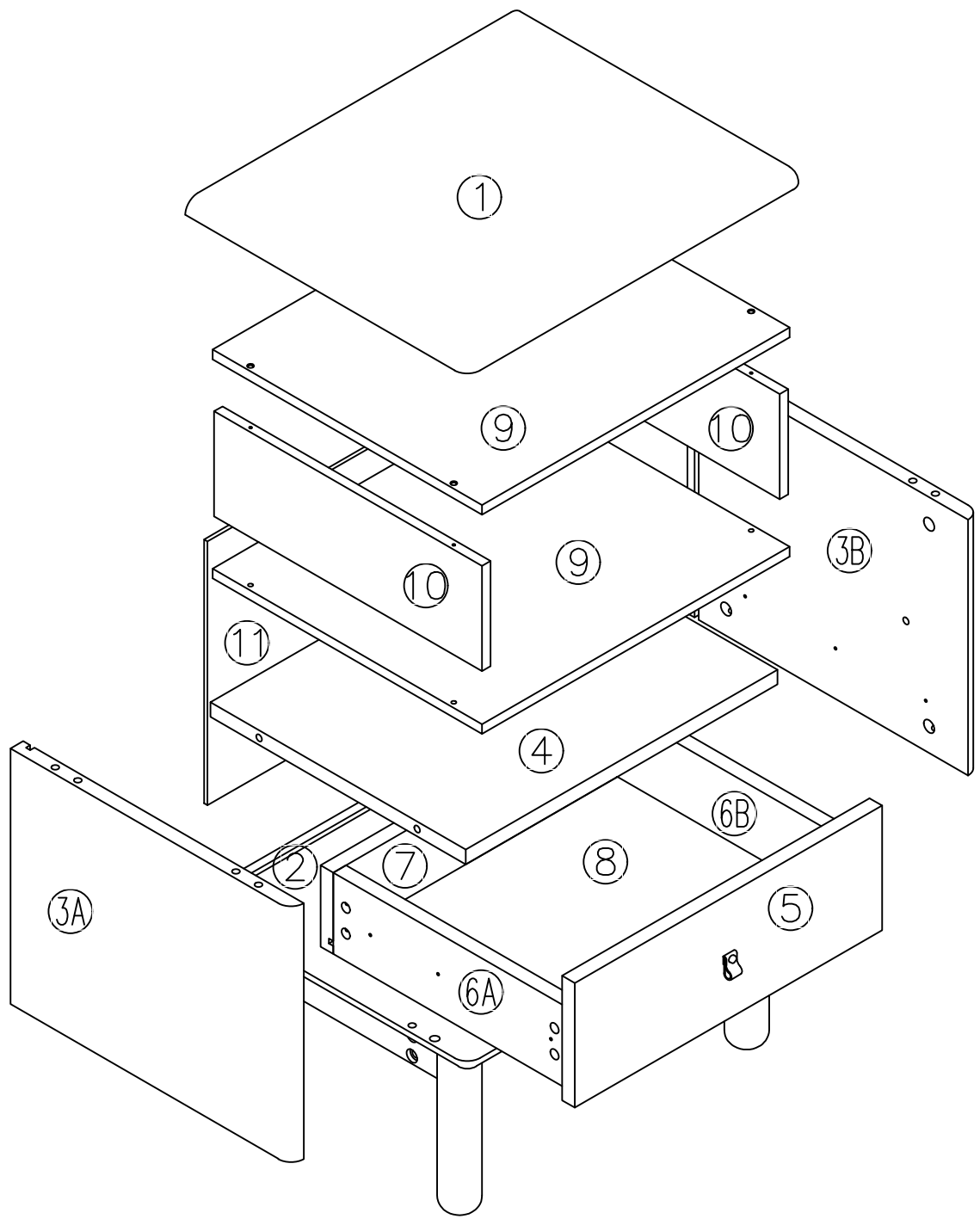
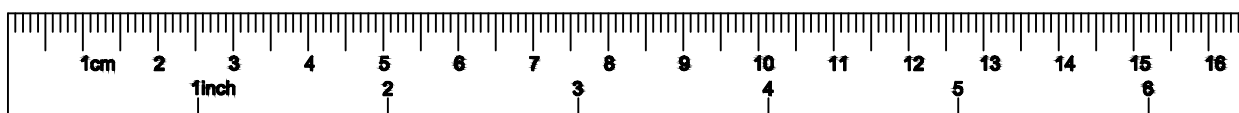


60 min








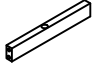

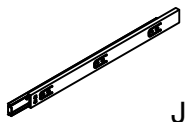

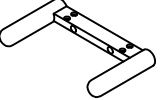



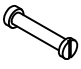




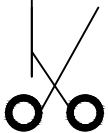
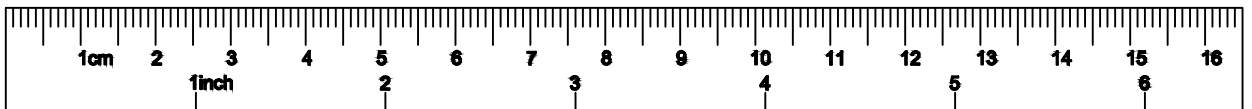


		2263
1	1	480x400x18MM
2	1	480x400x18MM
3A	1	398x314x18MM
3B	1	398x314x18MM
4	1	442*362*18MM
5	1	436*153*18MM
6A	1	332x100x18MM
6B	1	332x100x18MM
7	1	421*100*18MM
8	1	395*342*5MM
9	2	436*382*12MM
10	2	380*129*12MM
11	1	452*324*5MM

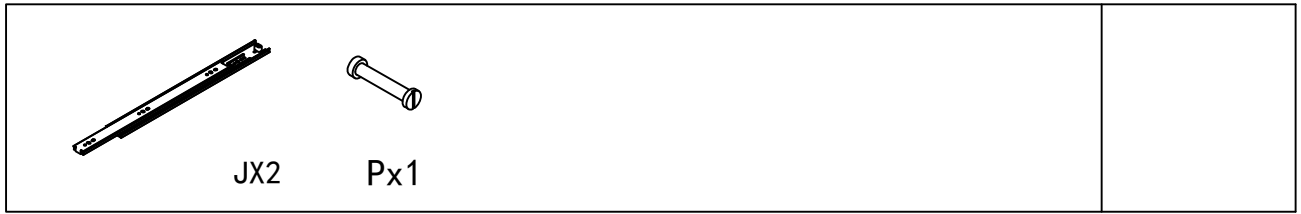




 φ 15x12 Ax8	 M6x35 Bx8	 φ 8x40 Cx12	 M3.5x15 Dx16
 M6x40 Ex6	 M6x30 Fx8	 φ12xM6x1 Gx14	 Hx2
 Ix4	 Jx2	 Kx1	 Lx2
 M6*24 Mx8	 Nx8	 Ox1	 Px1
 Qx8	 Rx4		

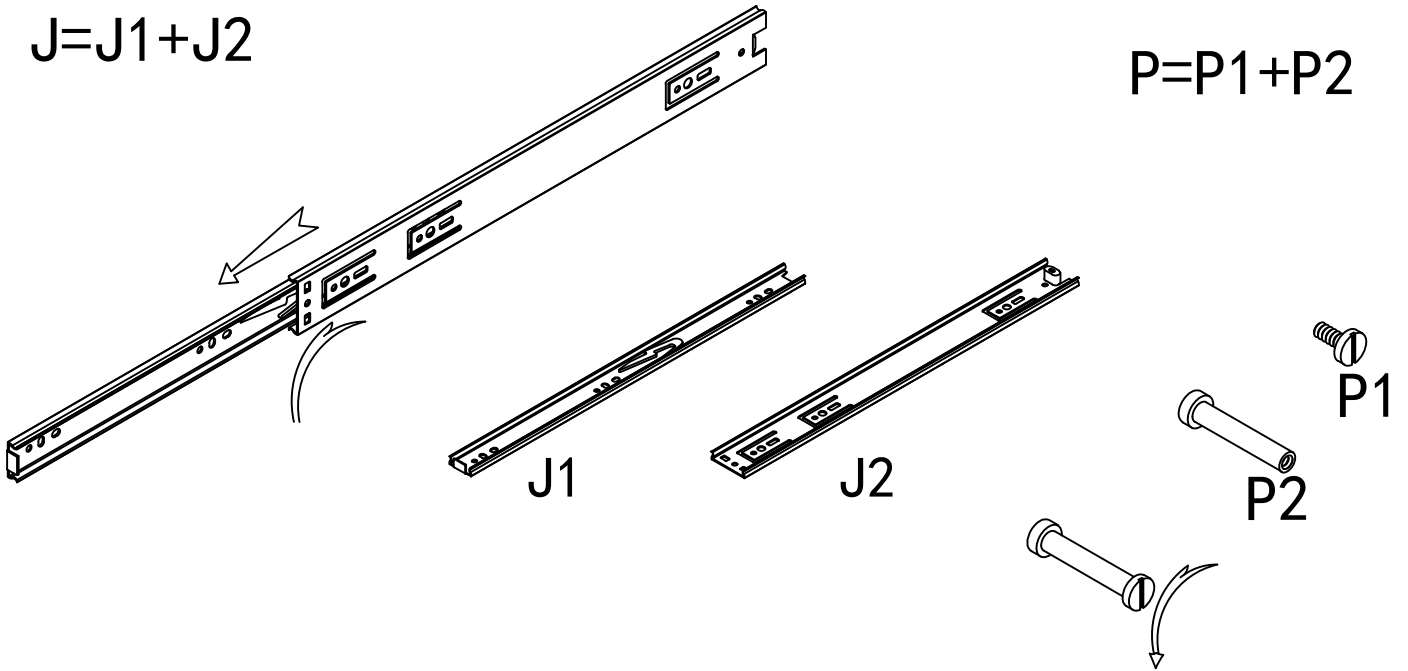


1

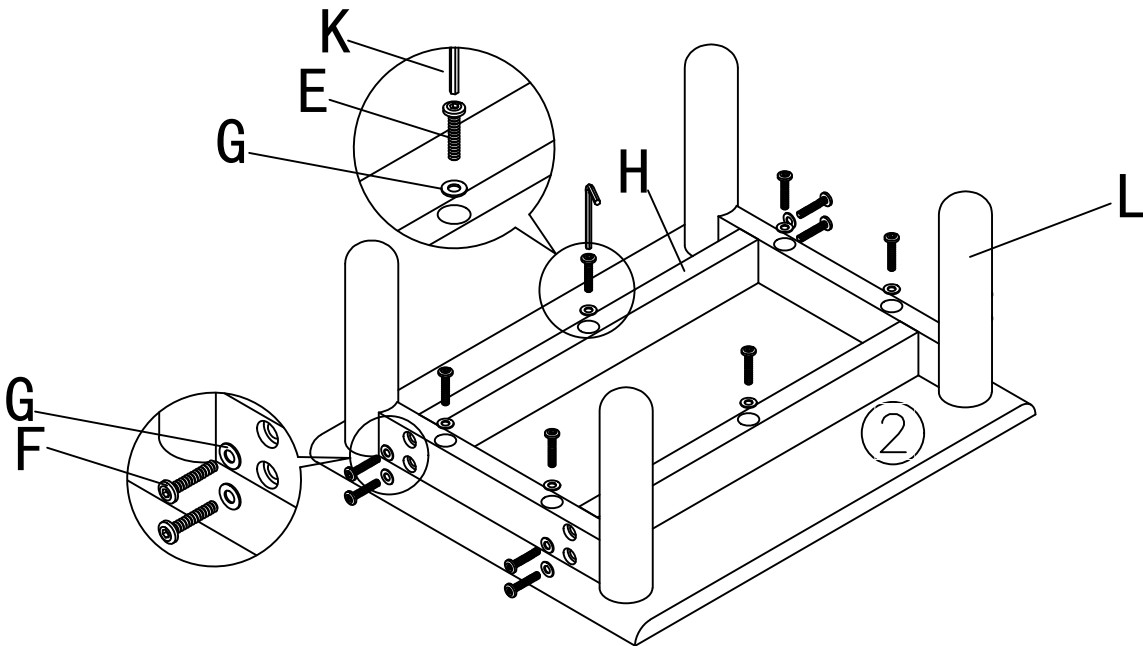
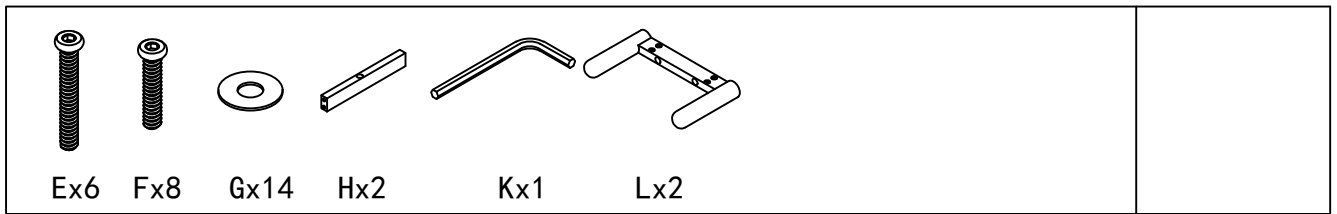


$$J=J1+J2$$

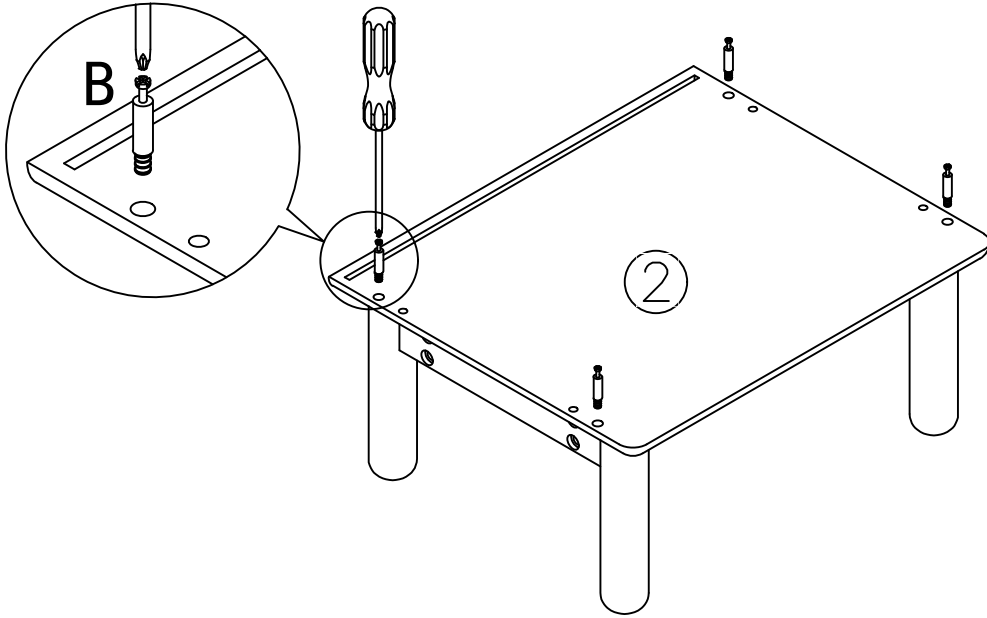
$$P=P1+P2$$



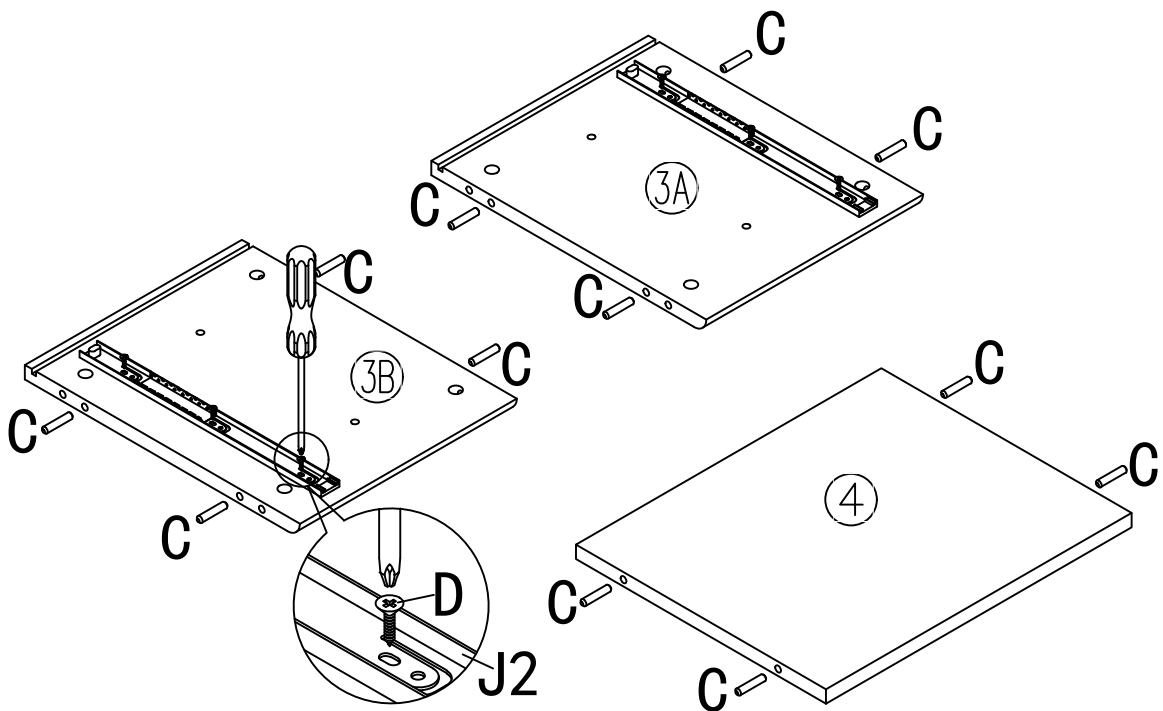
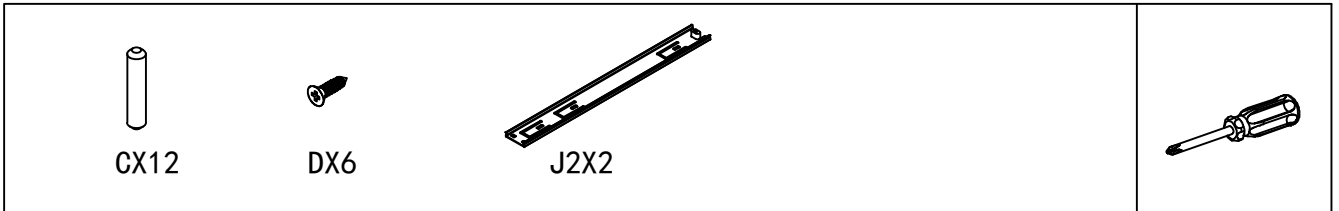
2



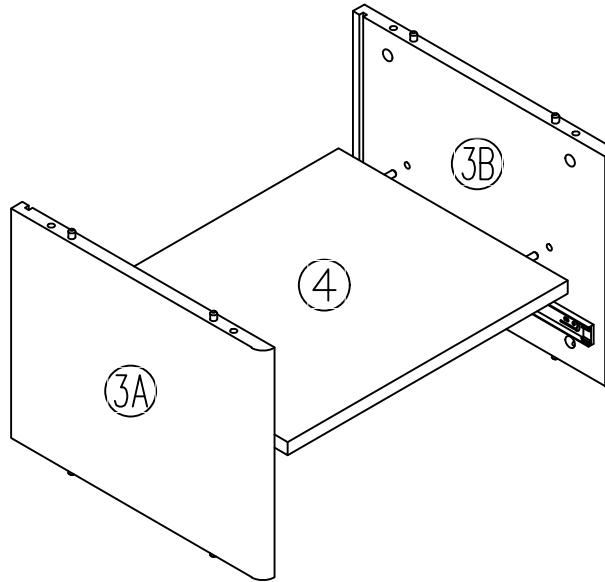
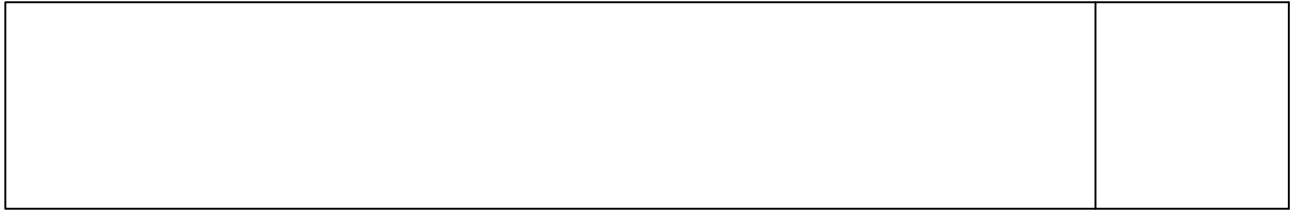
3



4



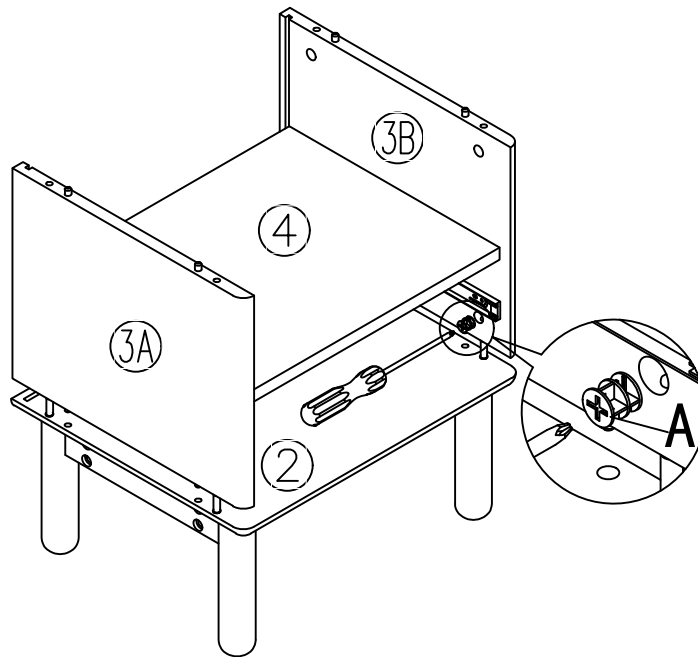
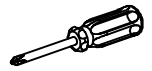
5



6

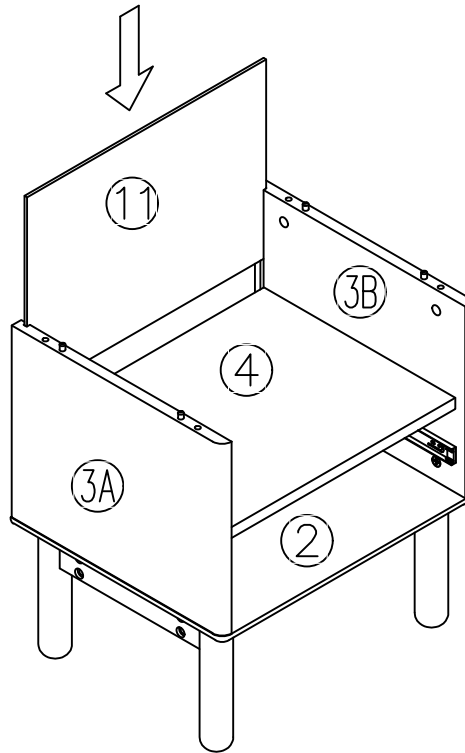
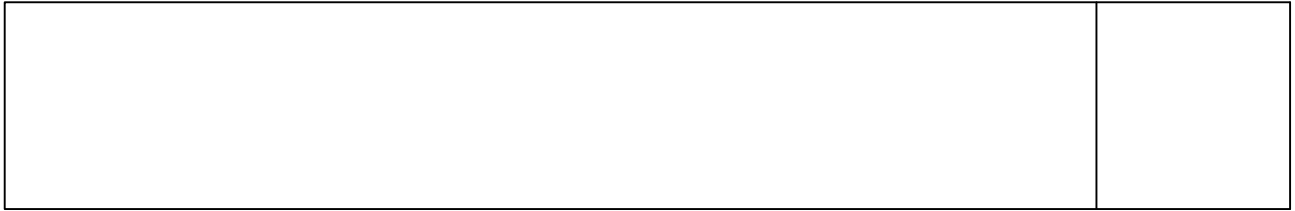


Ax4

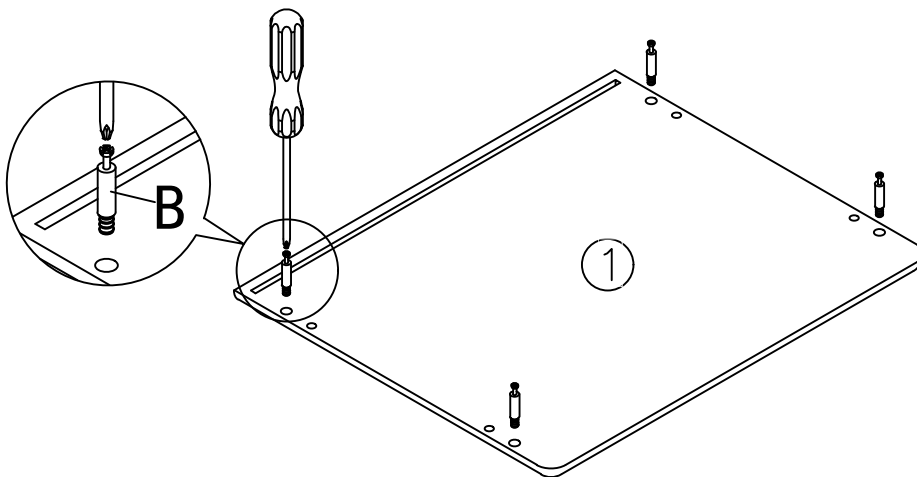




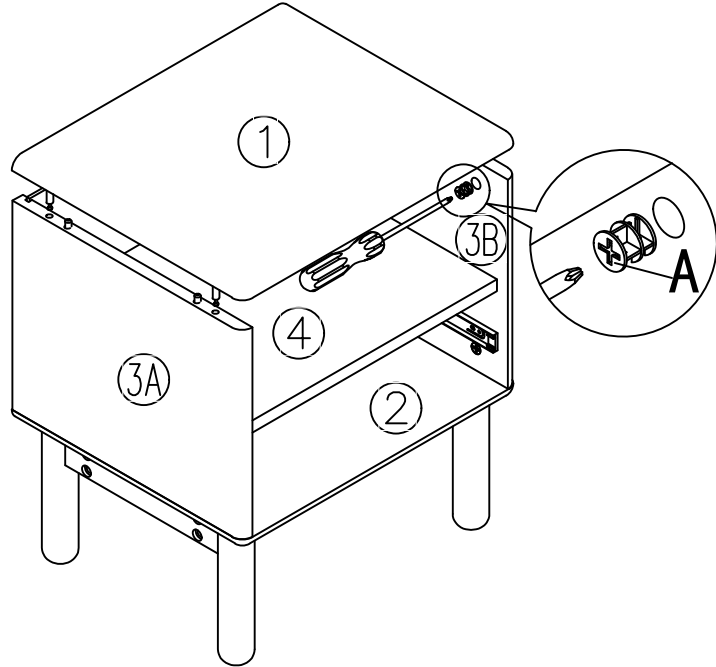
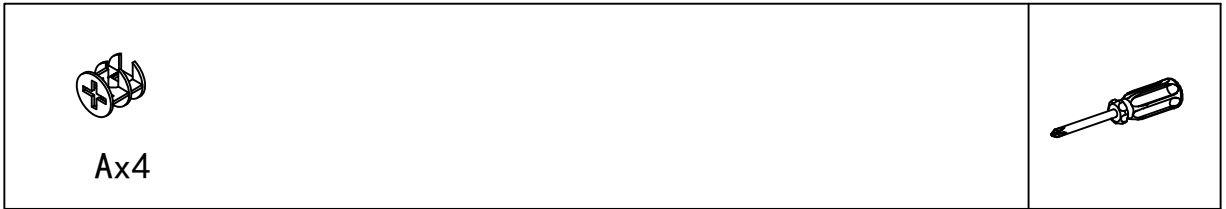
7



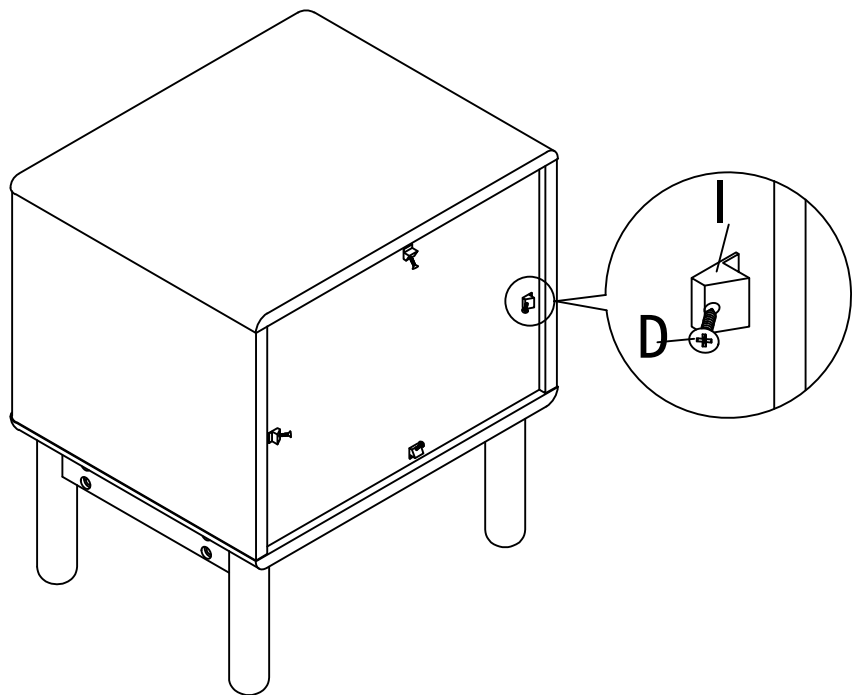
8



9

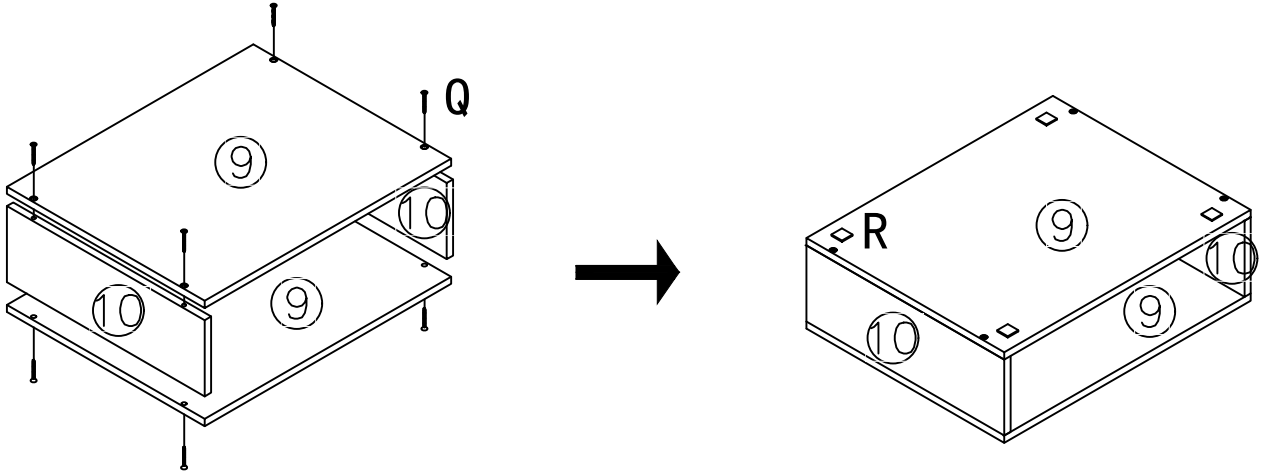
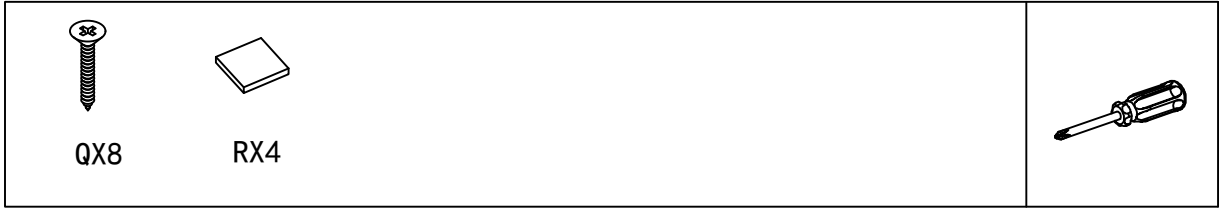


10

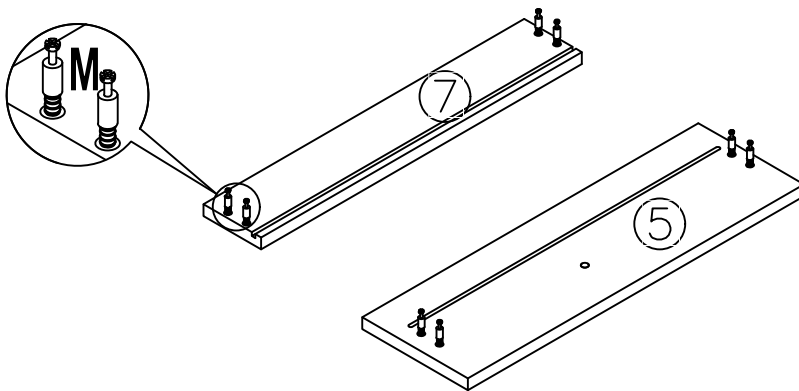


10-14

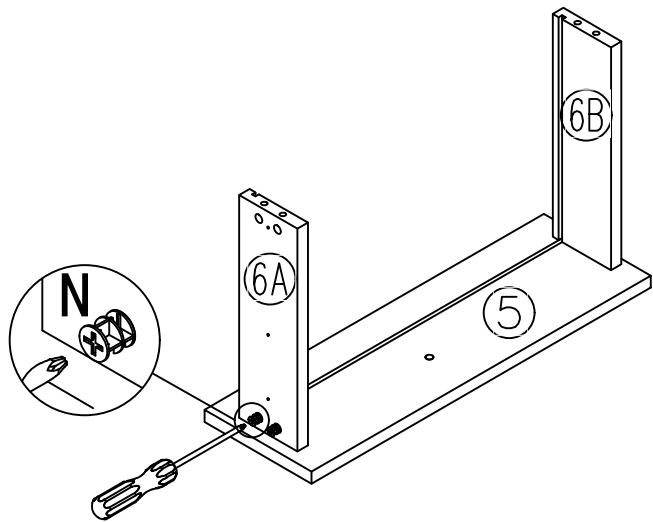
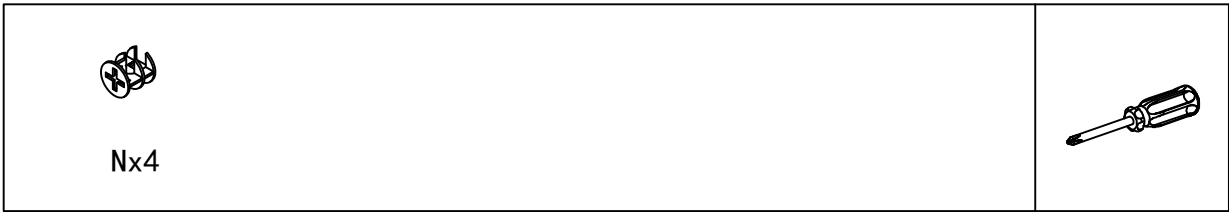
1 1



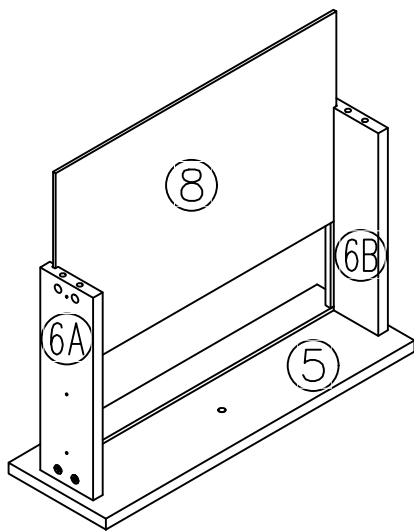
1 2



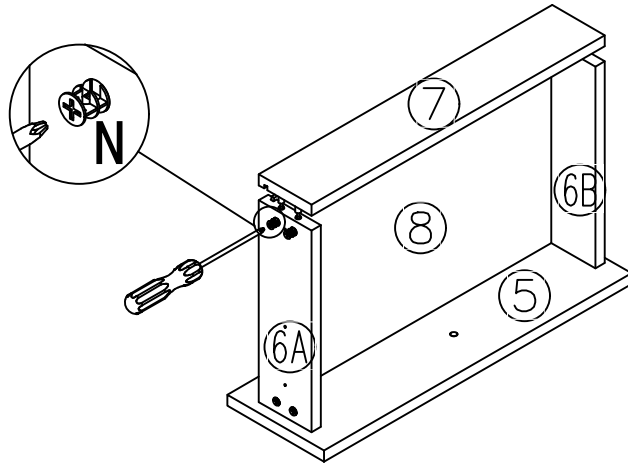
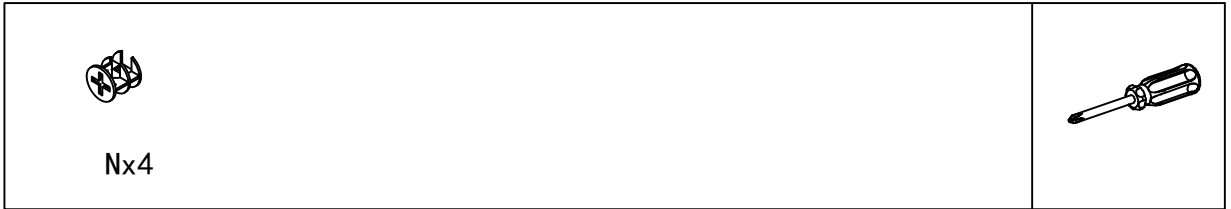
13



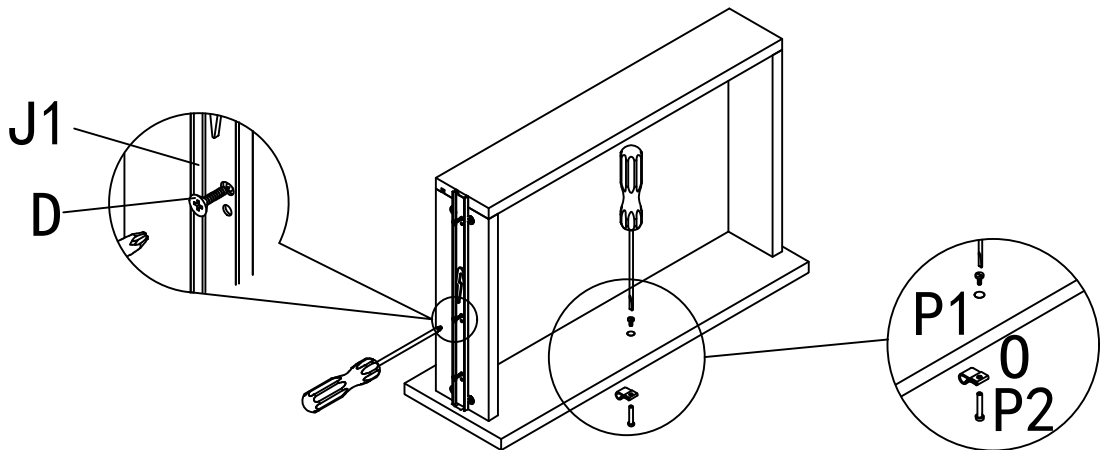
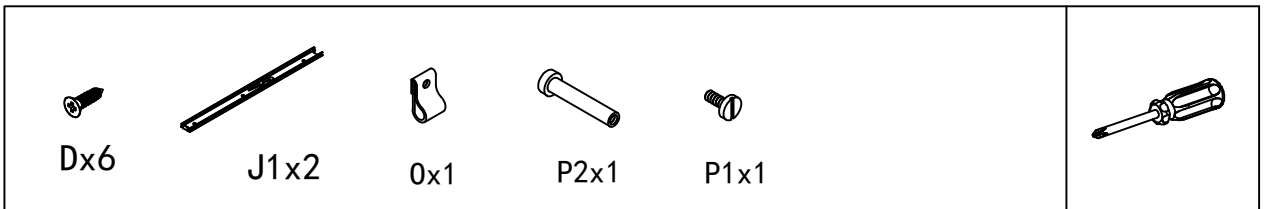
14



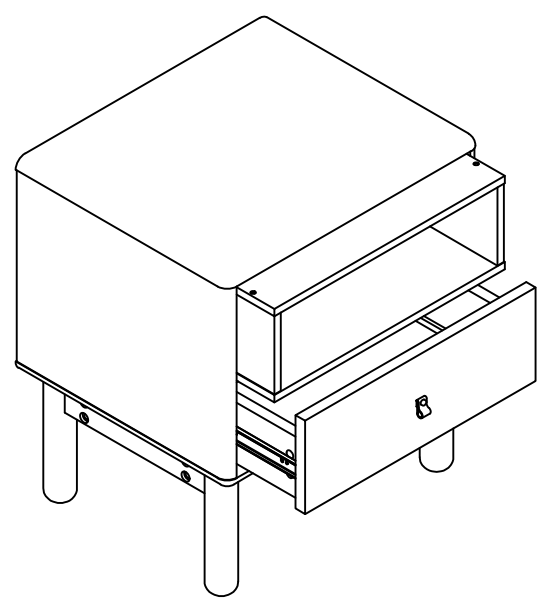
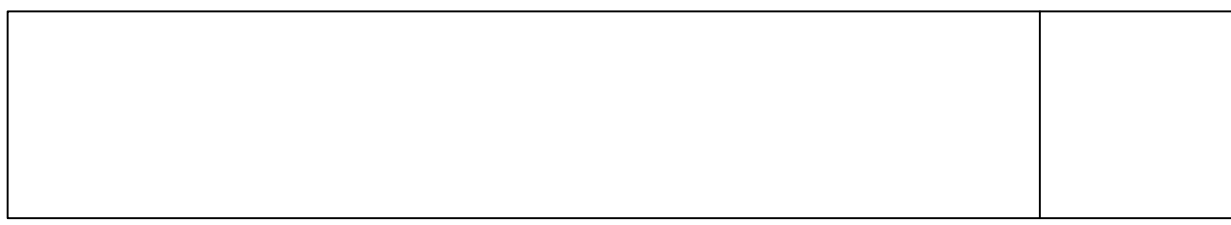
15



16



17



18

