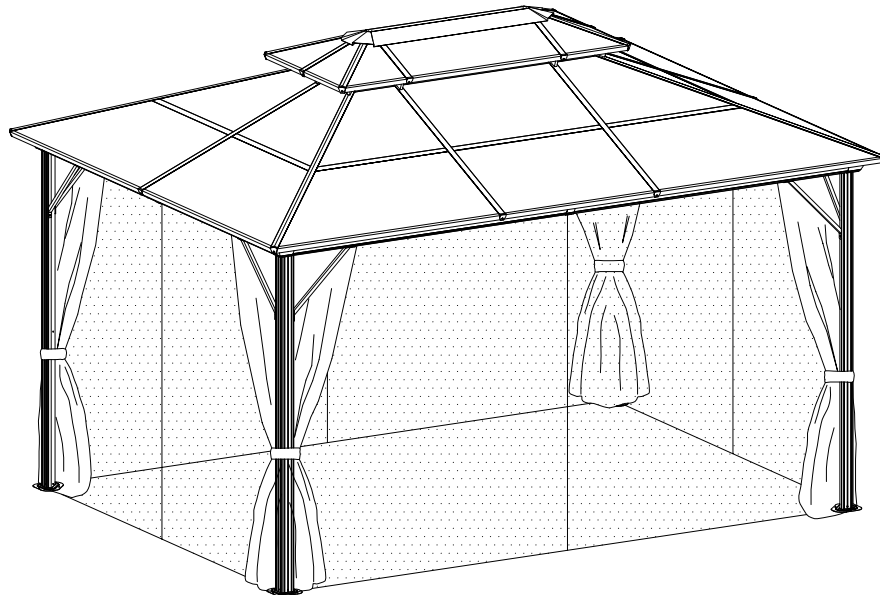
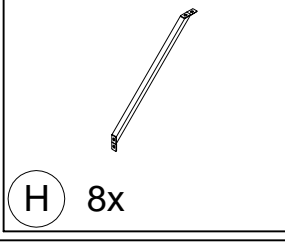
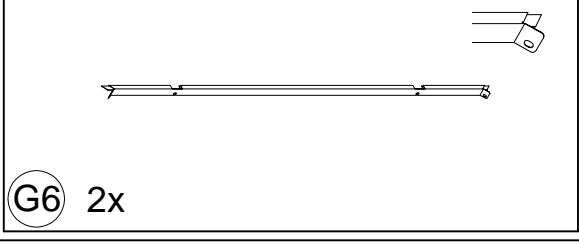
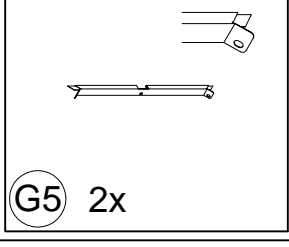
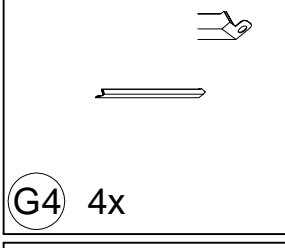
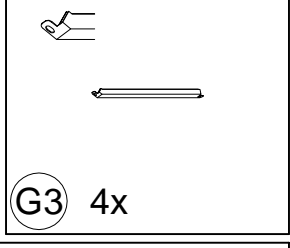
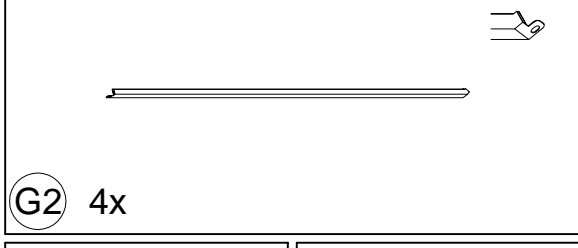
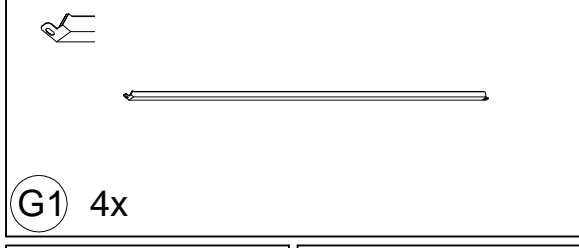
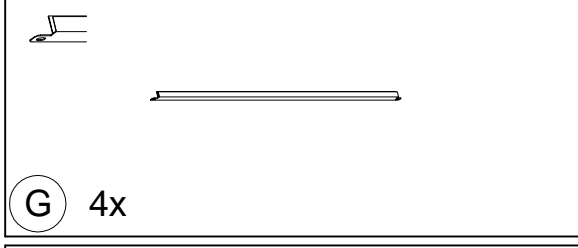
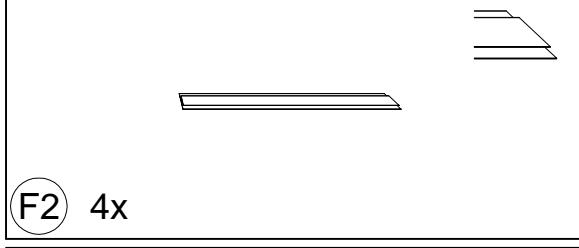
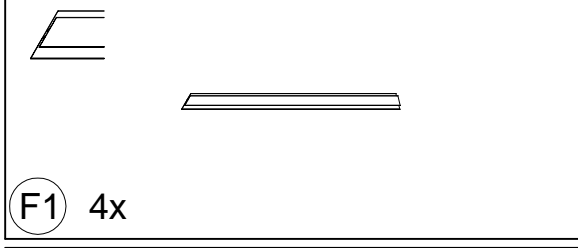
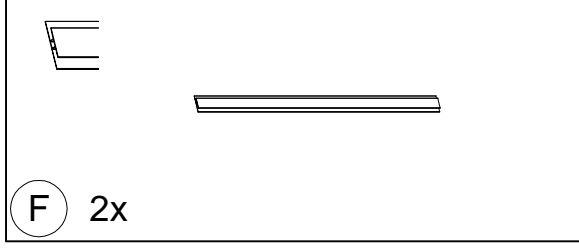
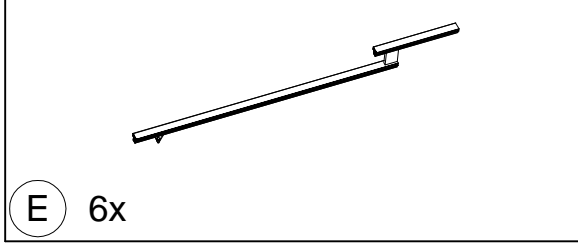
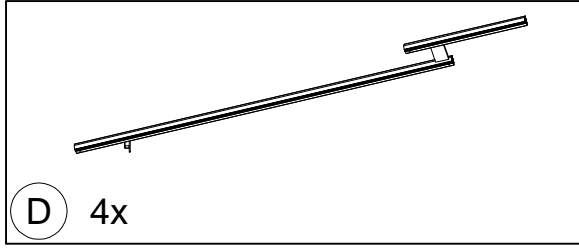
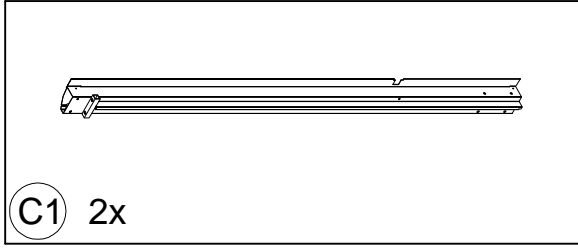
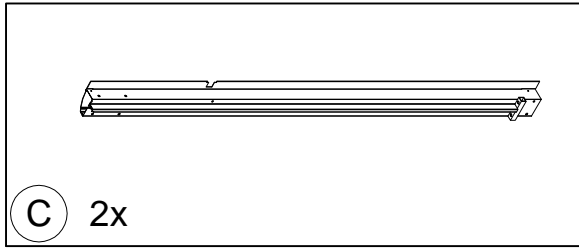
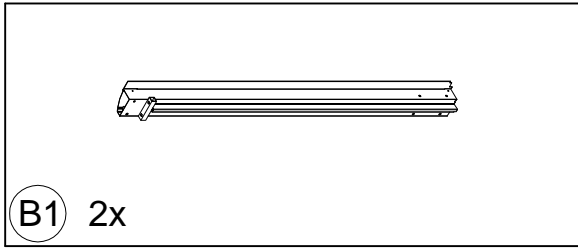
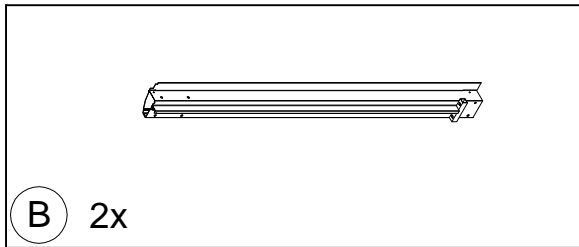
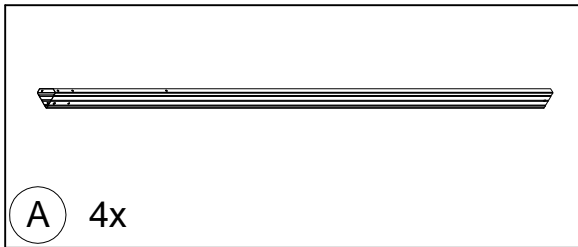


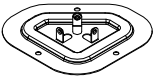
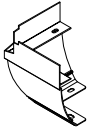

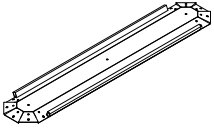
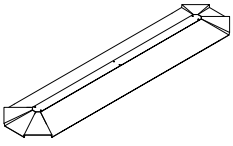


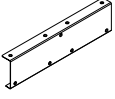
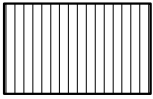
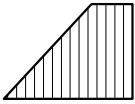
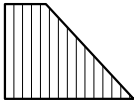
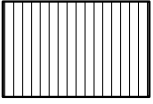
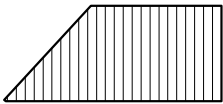
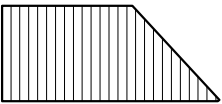
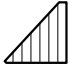

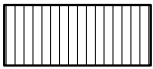
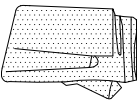
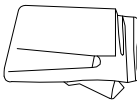

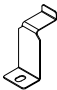






# 3 x 4 M



YS 1006



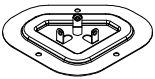


			
(J) 4x	(K) 4x	(K1) 4x	(L) 1x
			
(M) 1x	(N) 12x	(N1) 12x	(P) 4x
			
(Q) 2x	(Q1) 4x	(Q2) 4x	(R) 2x
			
(R1) 4x	(R2) 4x	(R3) 4x	(R4) 4x
			
(R5) 2x	(S) 4x	(T) 4x	(U) 112x
			
(V) 4x	S4 1x		
			
M6x15 (1) 127x	M6x35 (2) 16x	M5x12 (3) 16x	ST4.8x12 (4) 24x
			
(5) 2x			

<1>



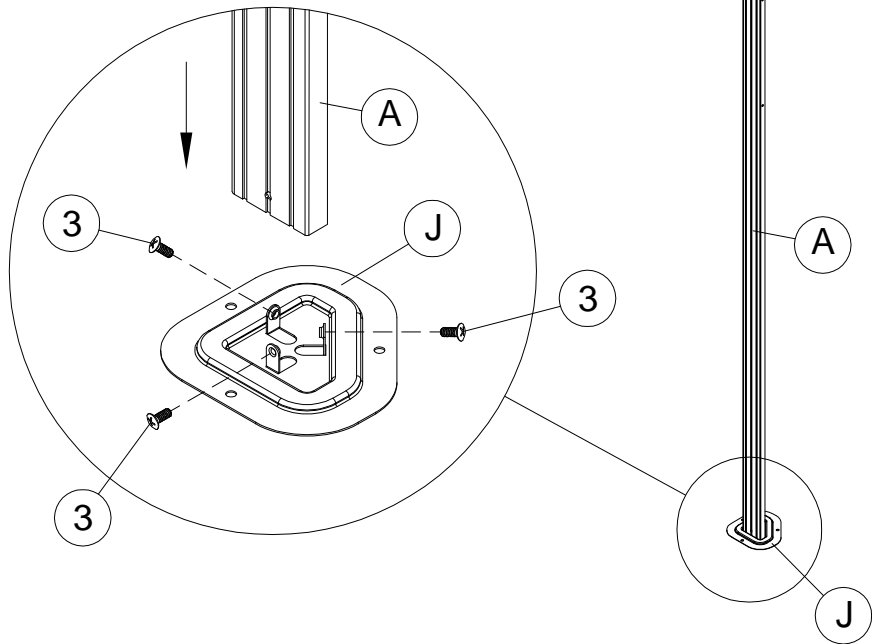
A 4x



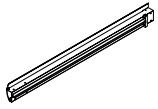
J 4x



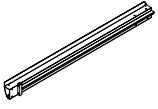
3 12x M5x12



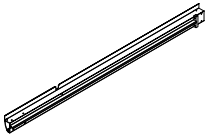
4



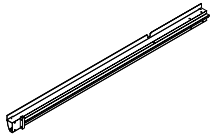
B 2x



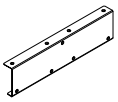
B1 2x



C 2x



C1 2x

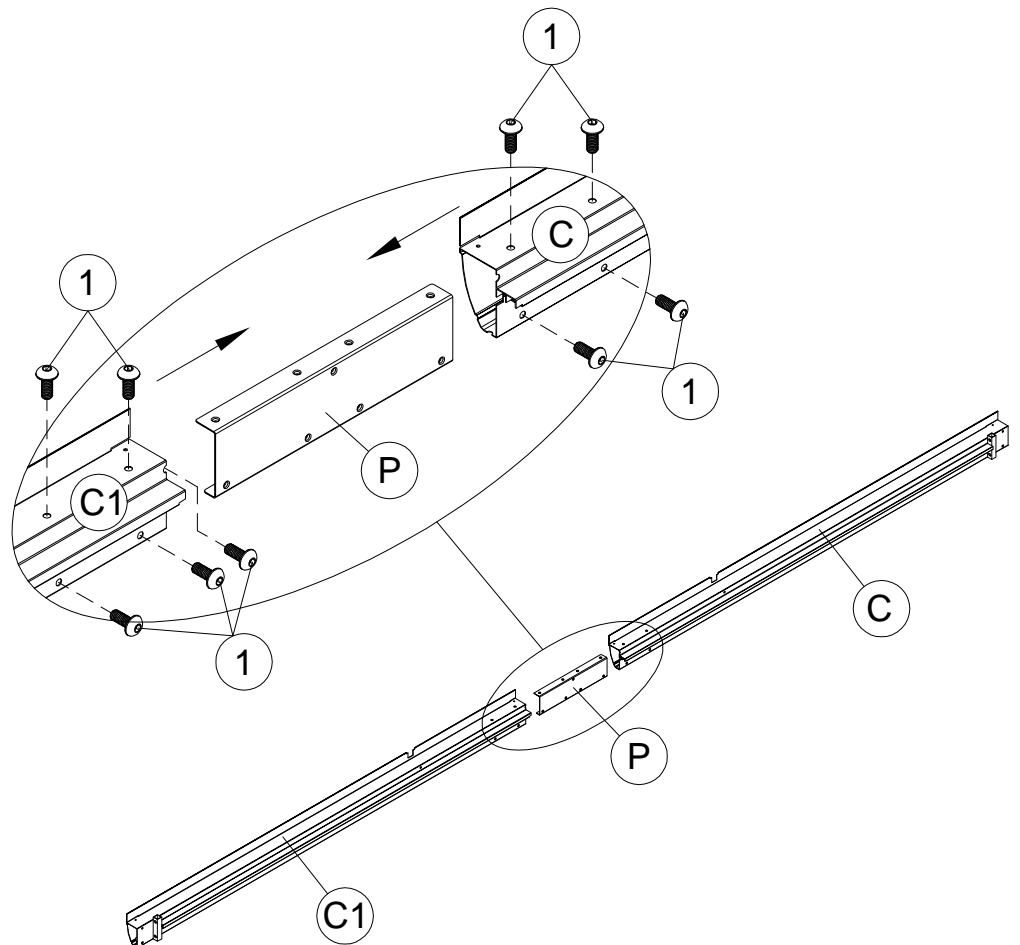
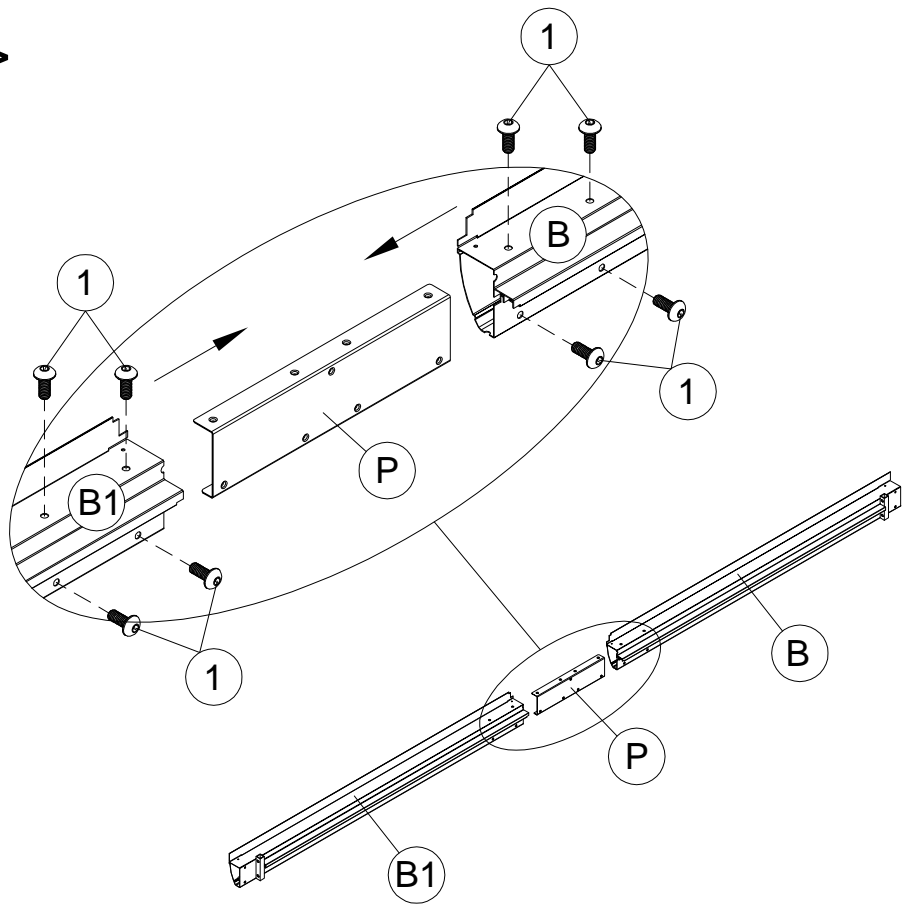


P 4x



1 34x M6x15

<2>



5

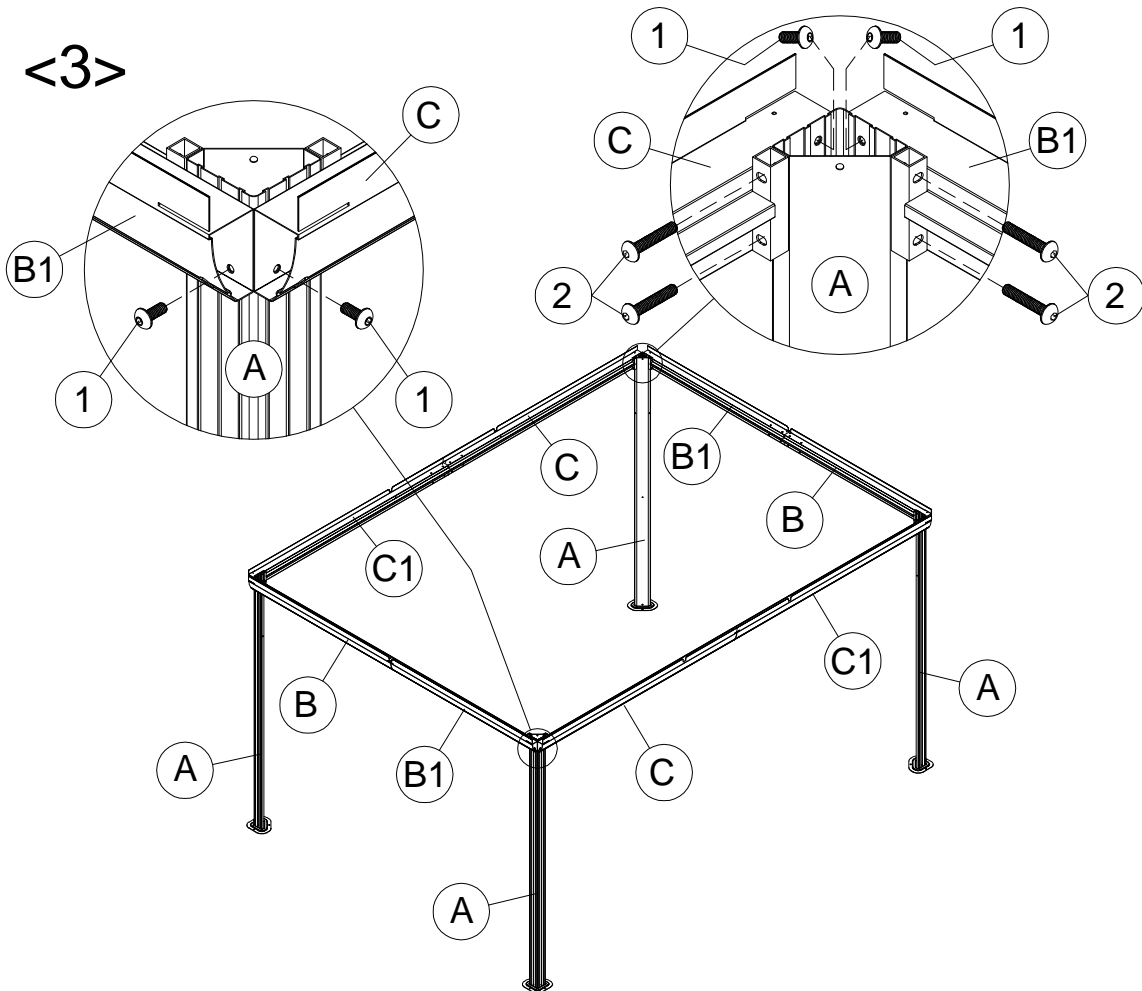


1 16x M6x15



2 16x M6x35

<3>

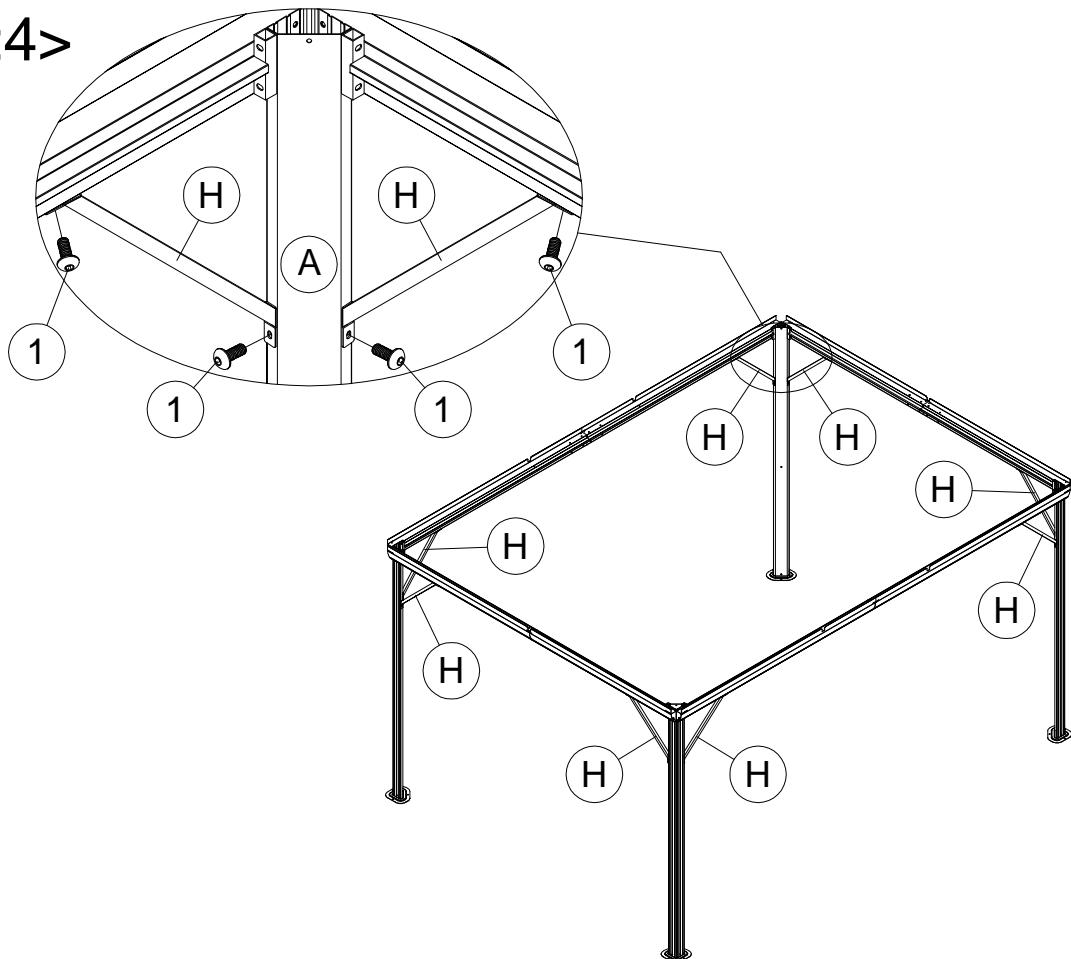


H 8x



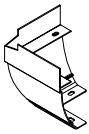
1 16x M6x15

<4>



6

<5>



K 4x



K1 4x



U 112x



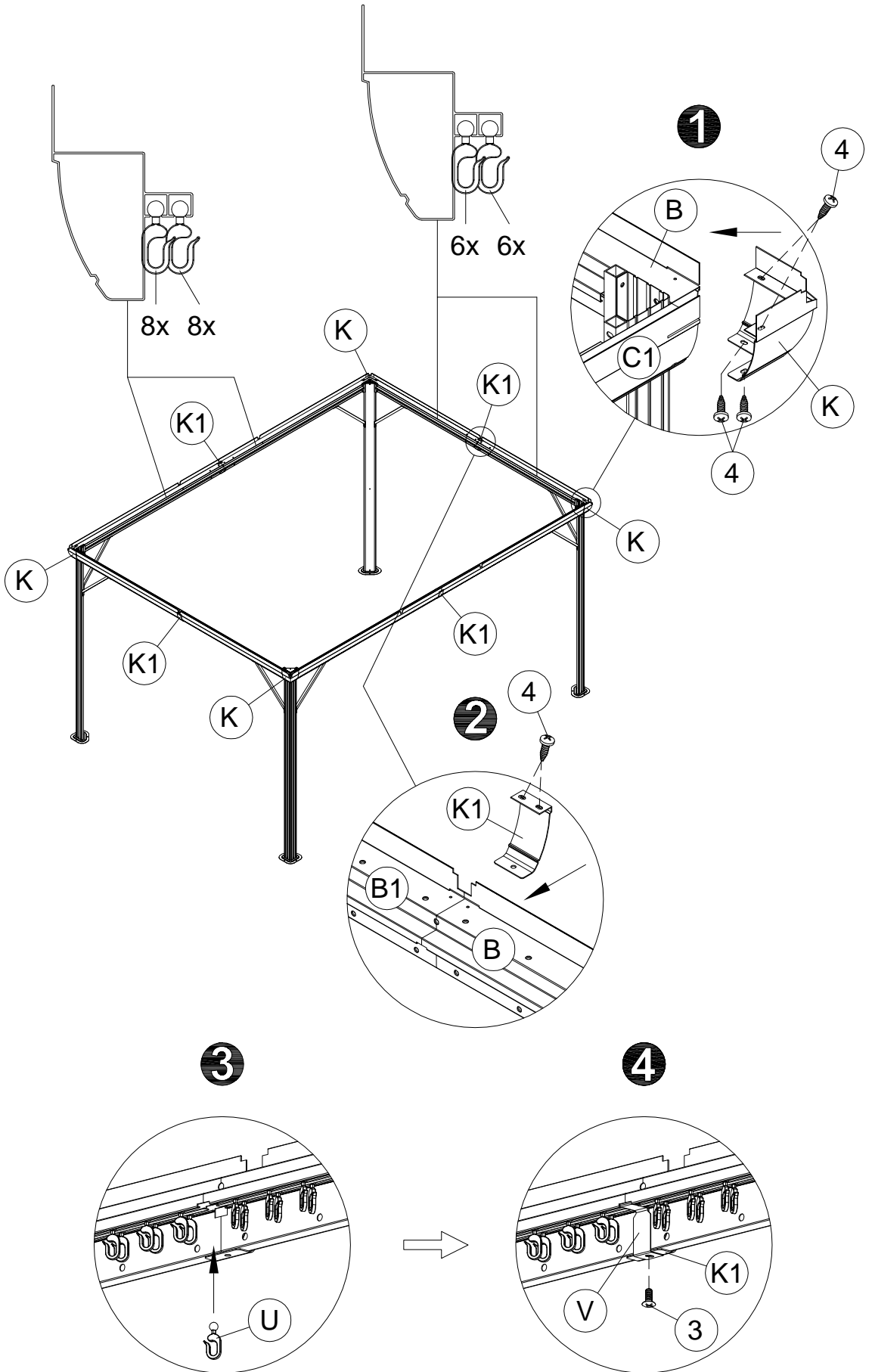
V 4x



3 4x M5x12



4 24x ST5x12

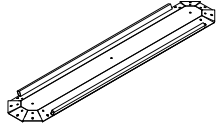


7



<6>

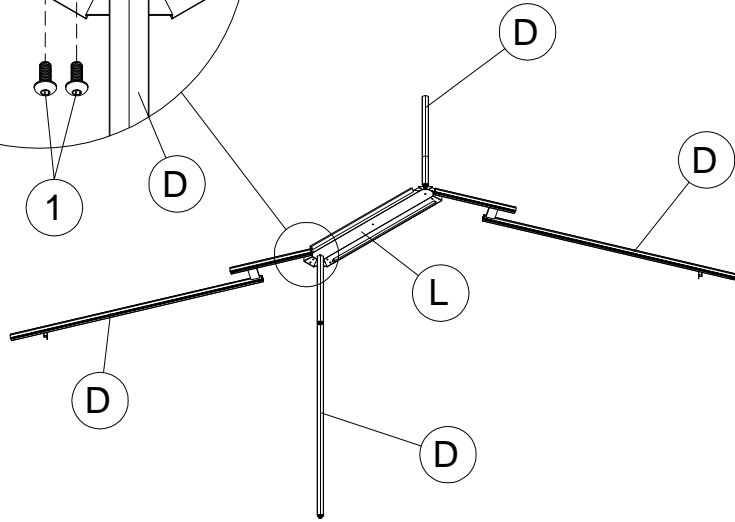
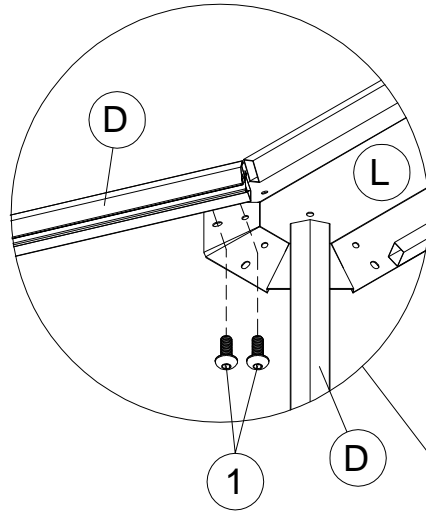
D 4x



L 1x

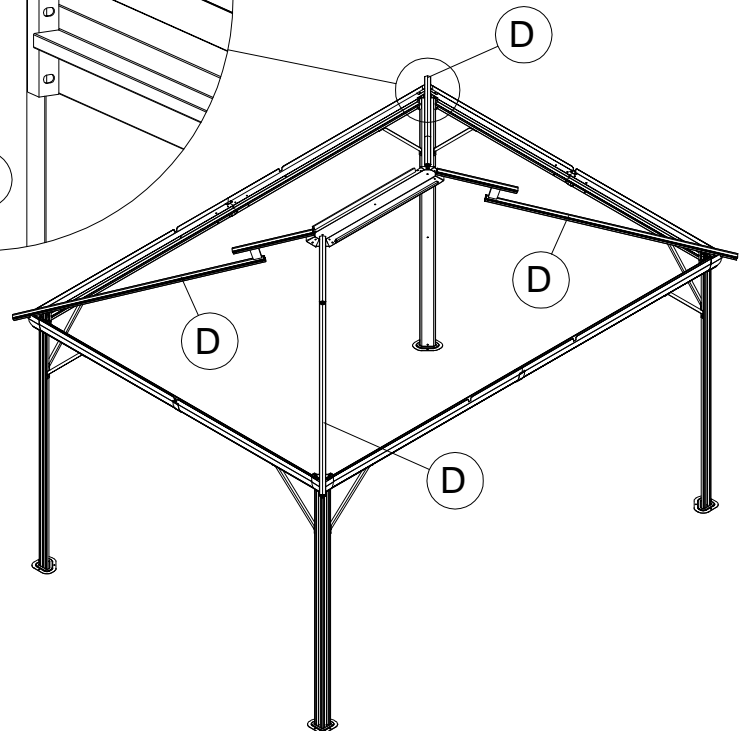
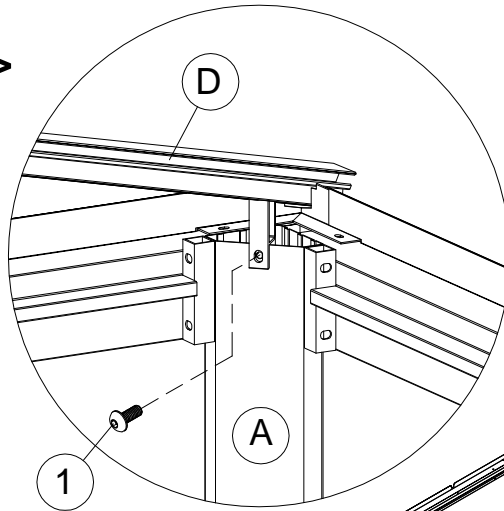


1 8x M6x15



1 4x M6x15

<7>



8



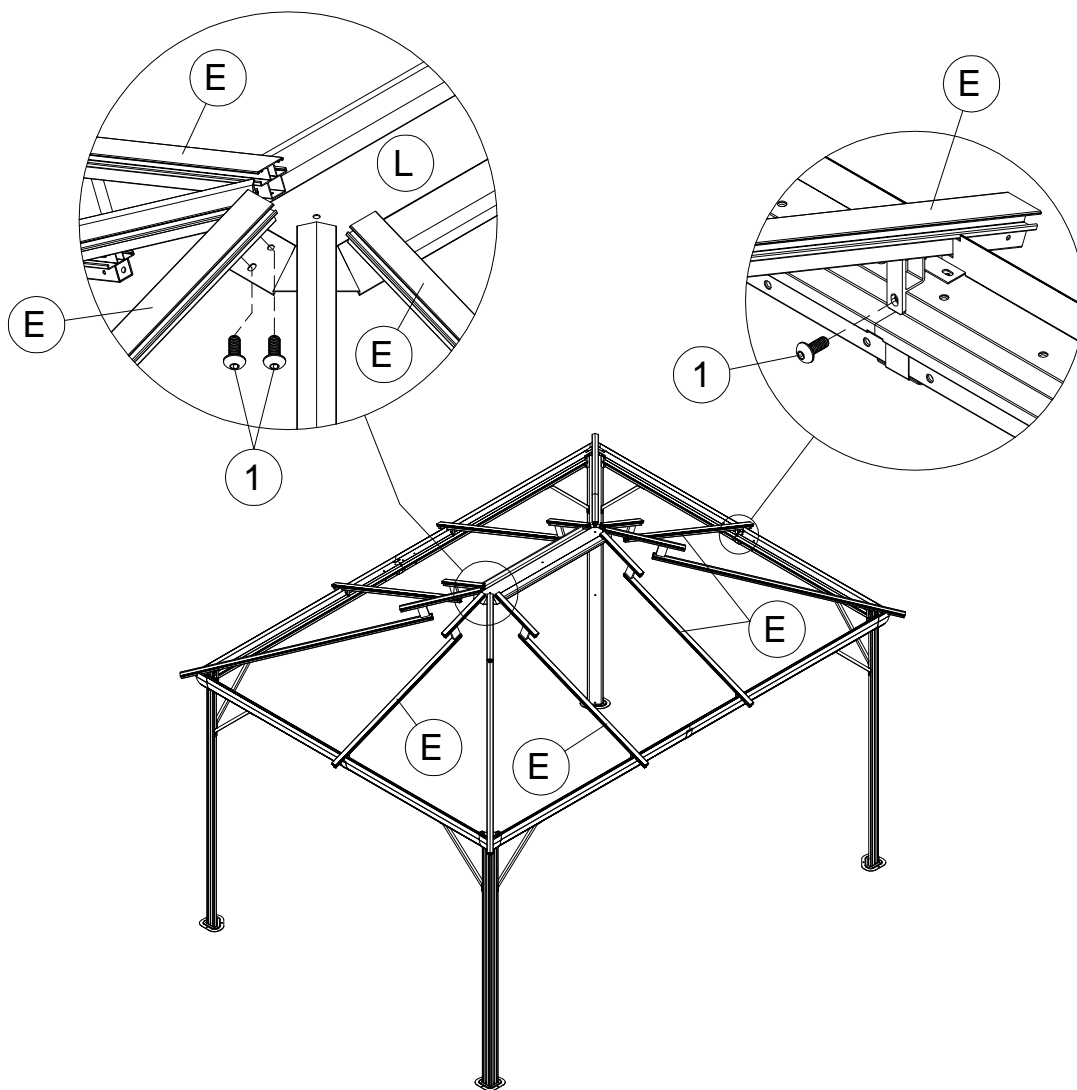


<8>

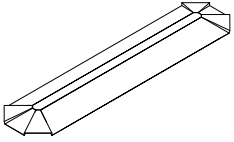
E 6x



1 18x M6x15



9



(M) 1x

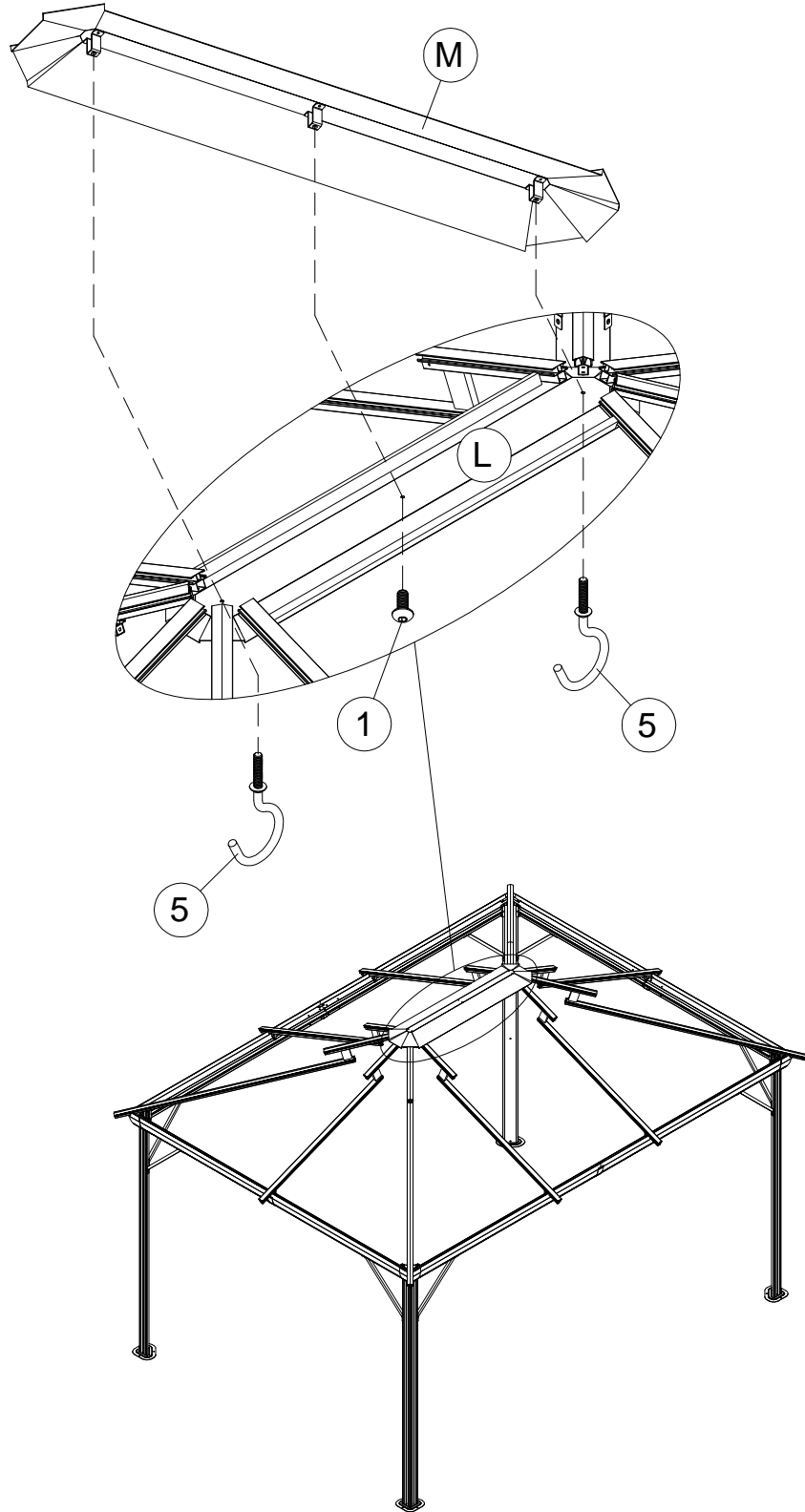


(1) 1x M6x15

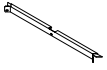


(5) 2x

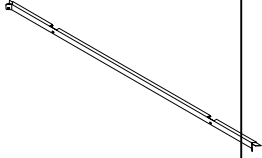
<9>



<10>



G5 2x



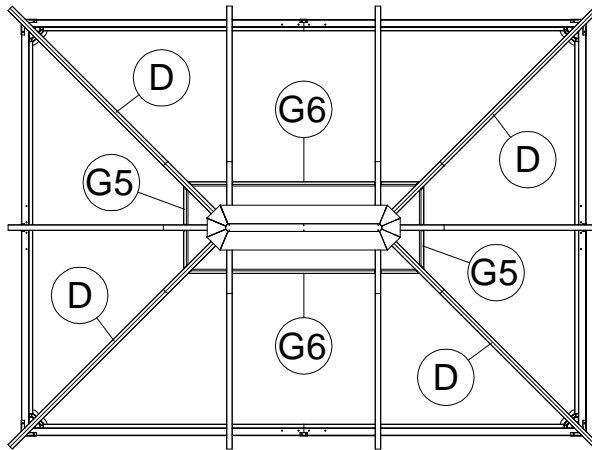
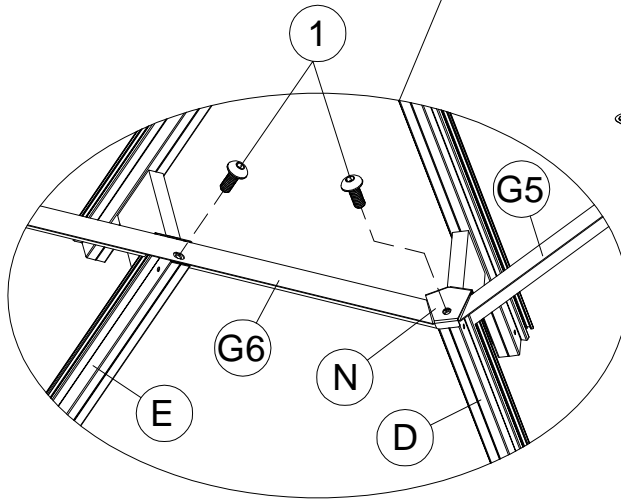
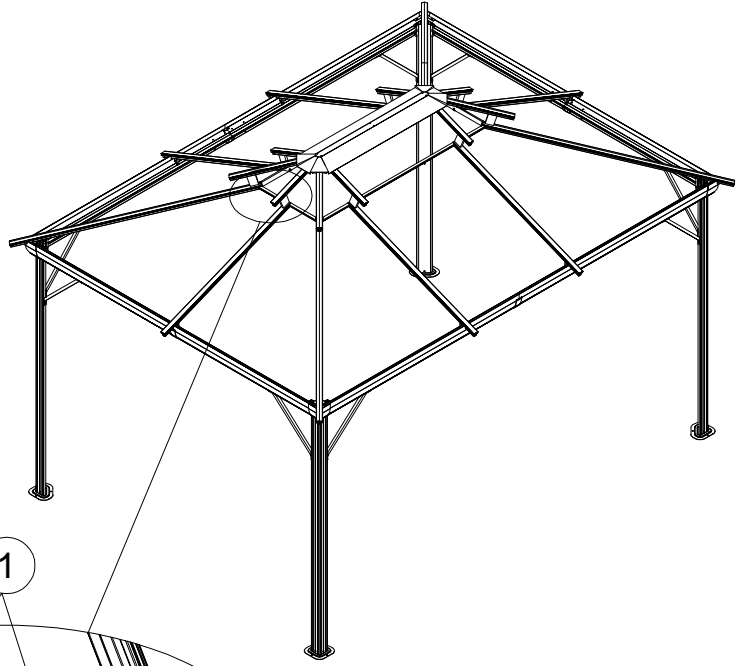
G6 2x



N 4x



1 10x M6x15



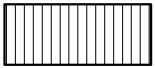


<11>

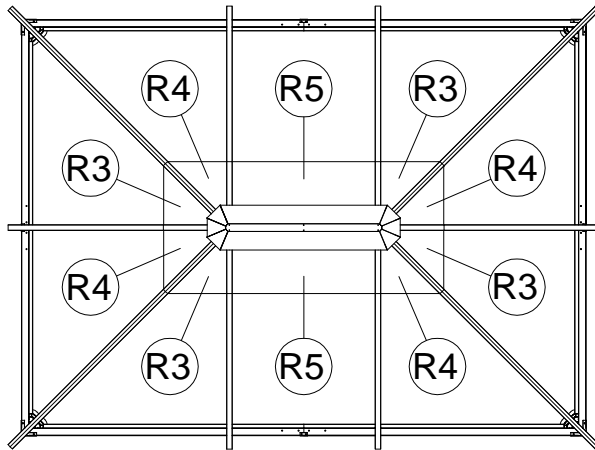
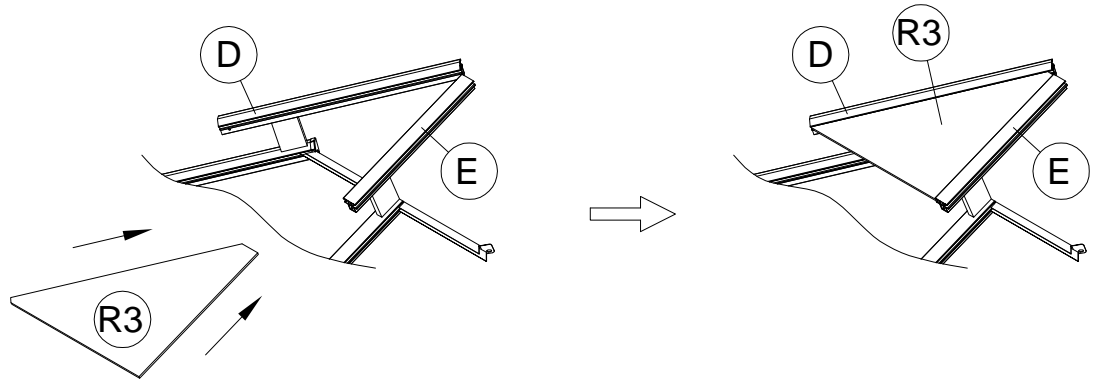
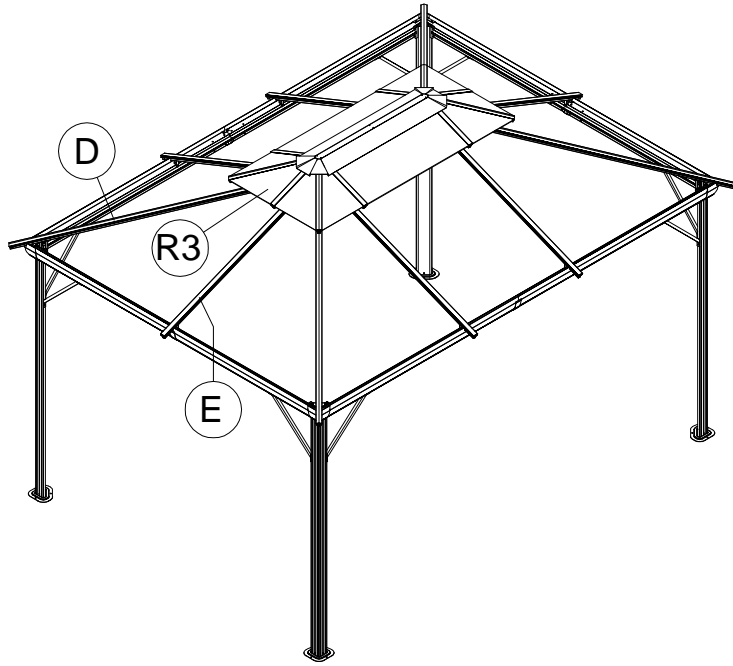
R3 4x



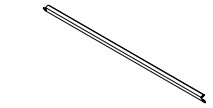
R4 4x



R5 2x



<12>



G 2x



G3 4x



G4 4x



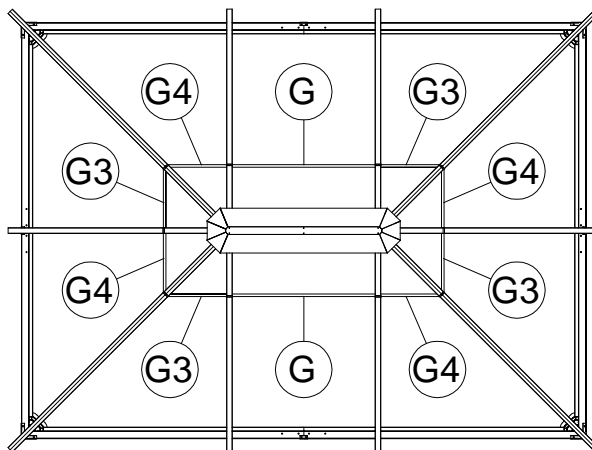
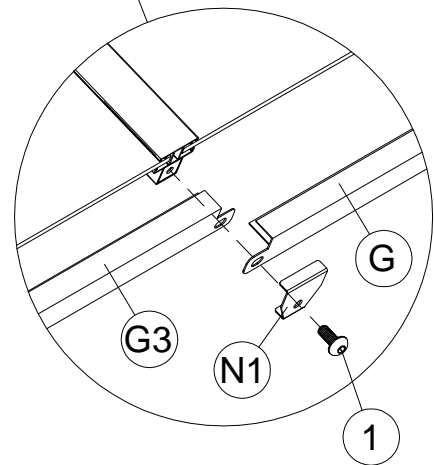
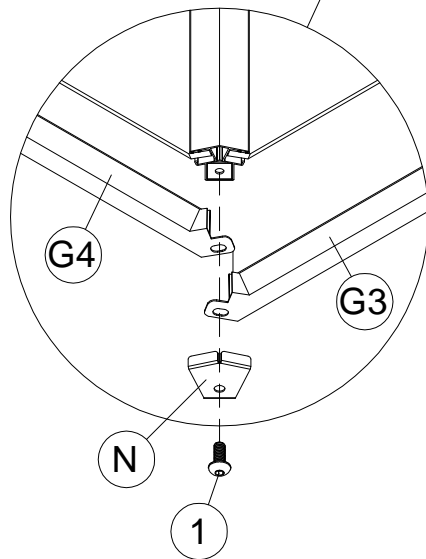
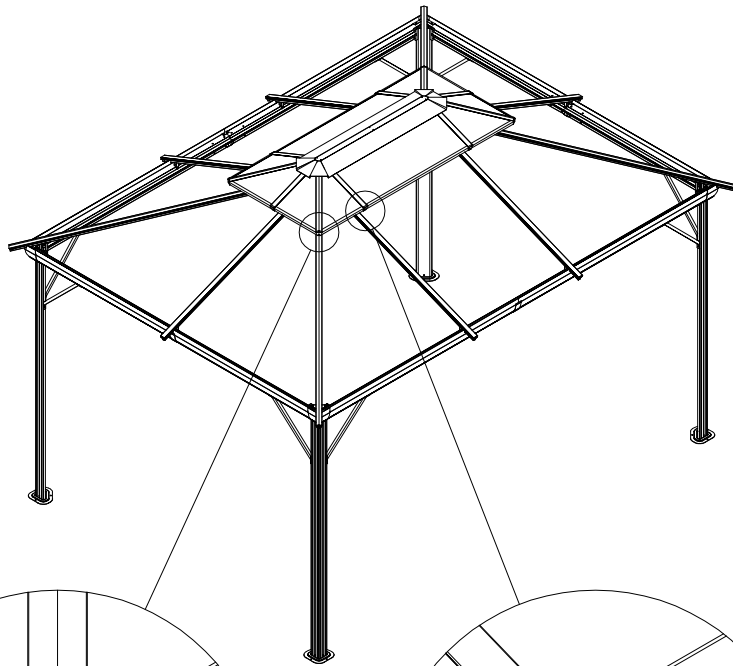
N 4x



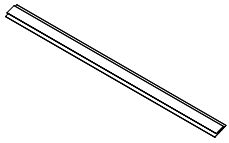
N1 6x



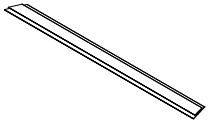
1 10x M6x15



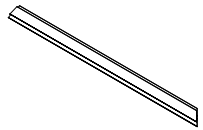
<13>



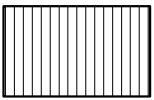
F 2x



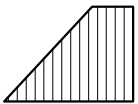
F1 4x



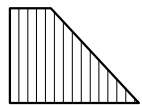
F2 4x



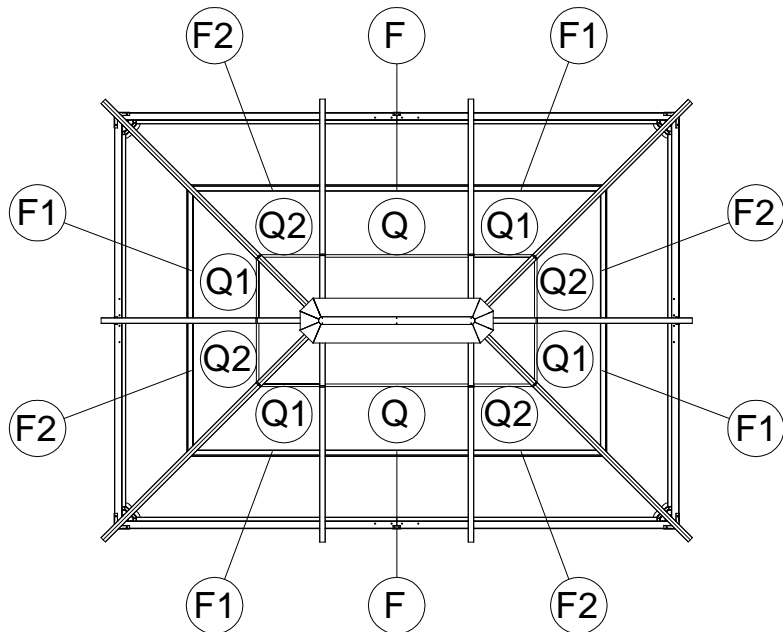
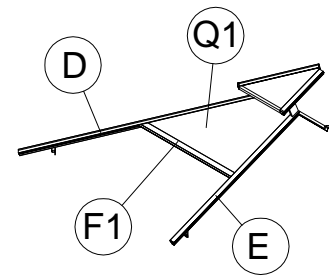
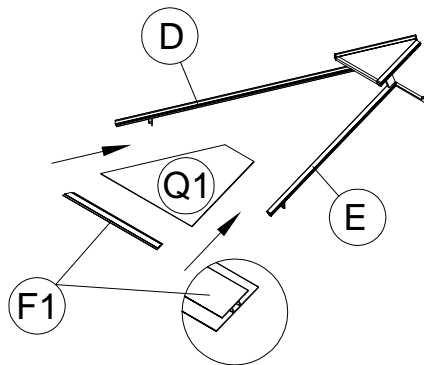
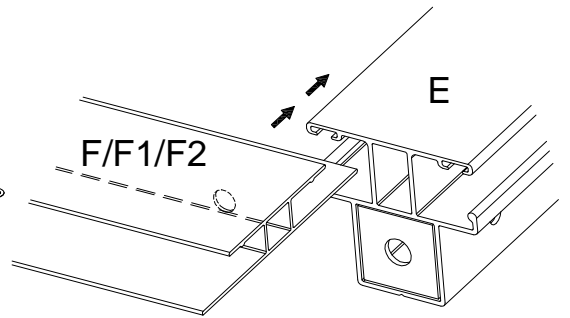
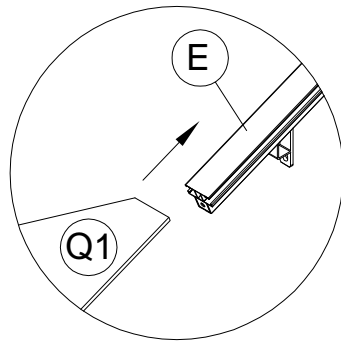
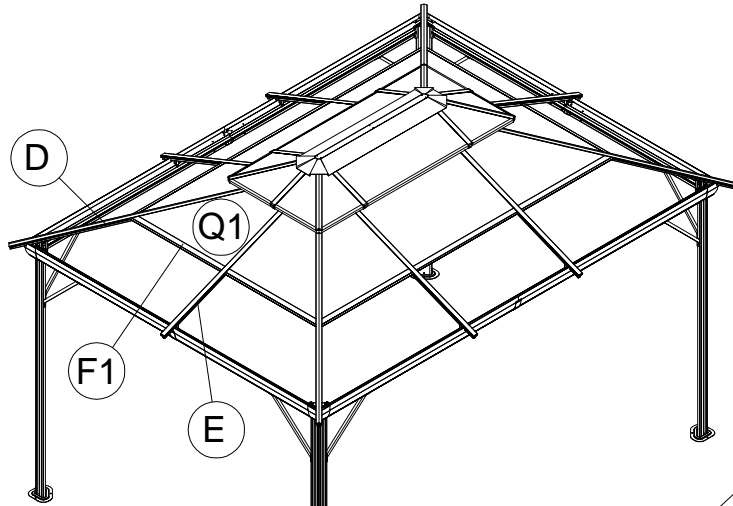
Q 2x



Q1 4x

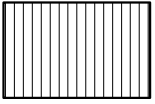


Q2 4x

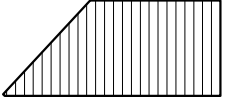


14

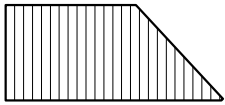
<14>



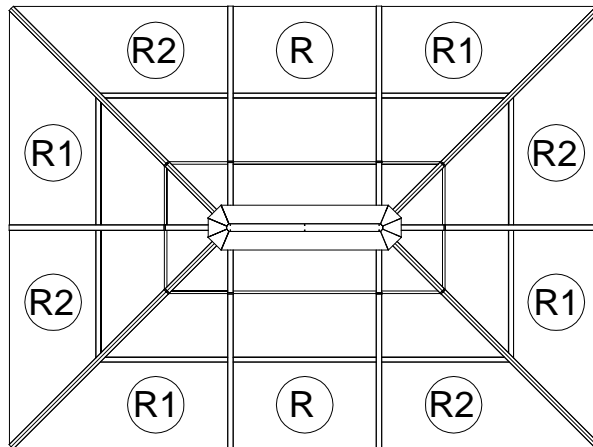
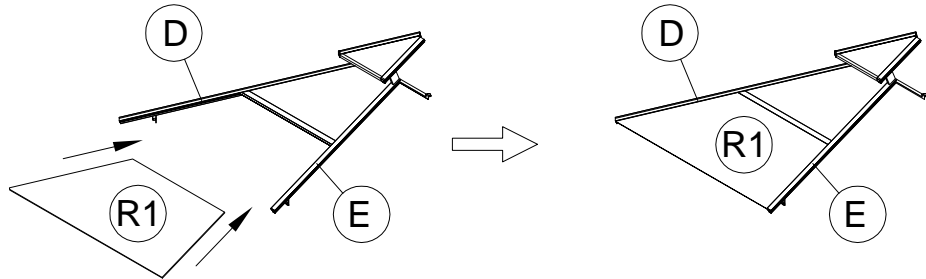
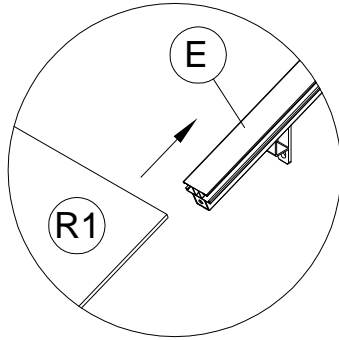
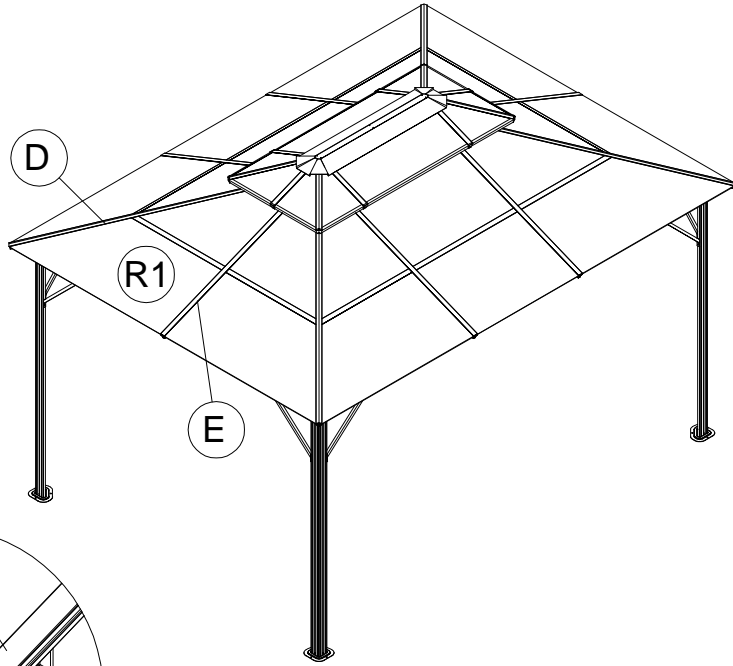
R 2x



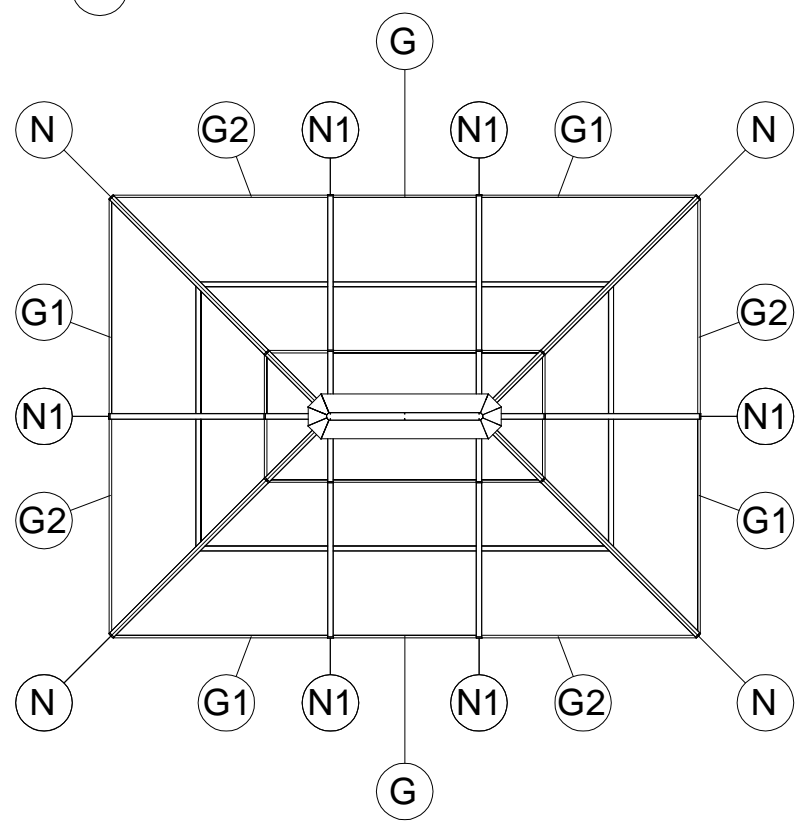
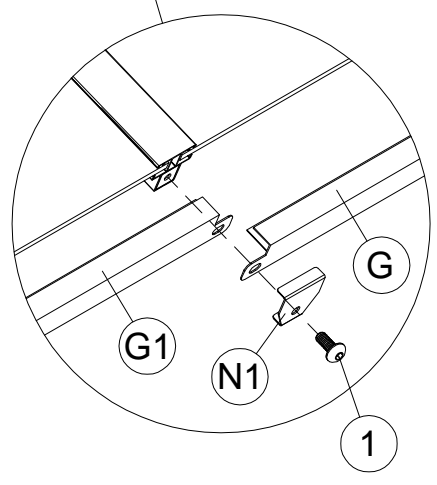
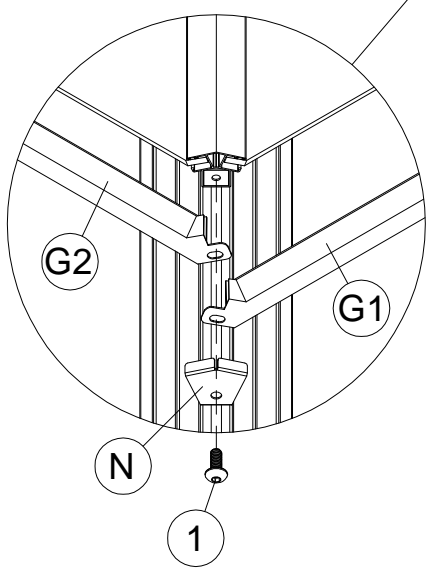
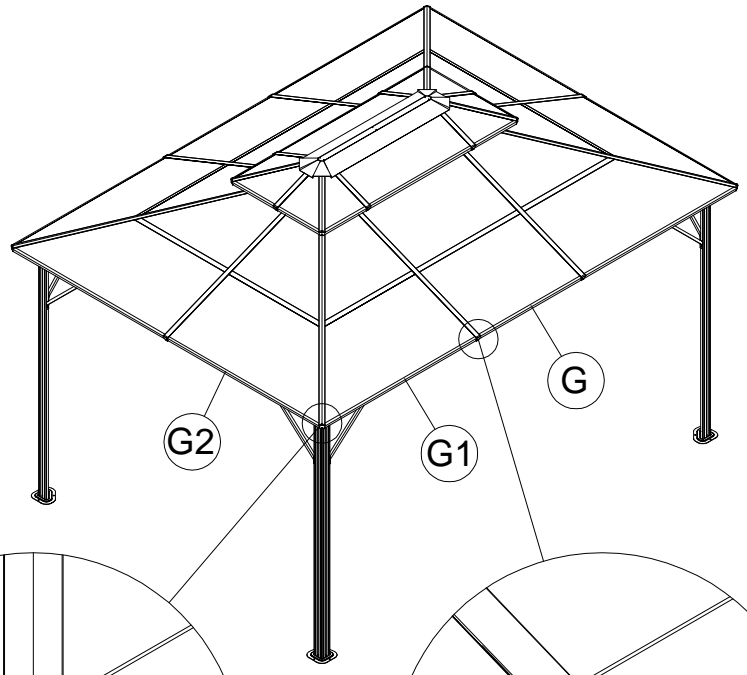
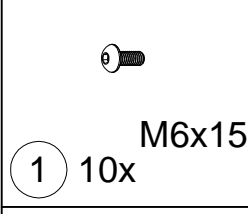
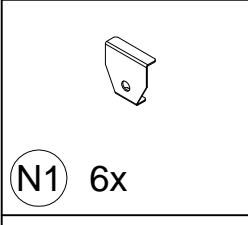
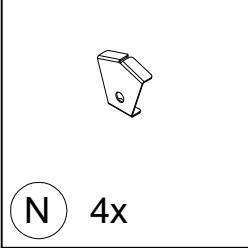
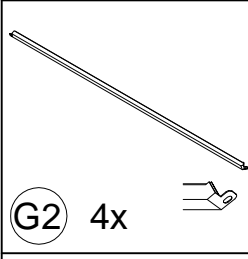
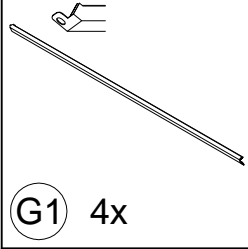
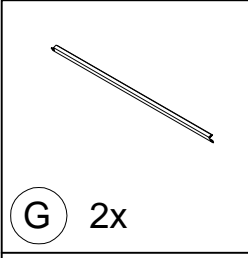
R1 4x



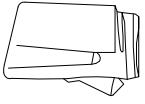
R2 4x



<15>

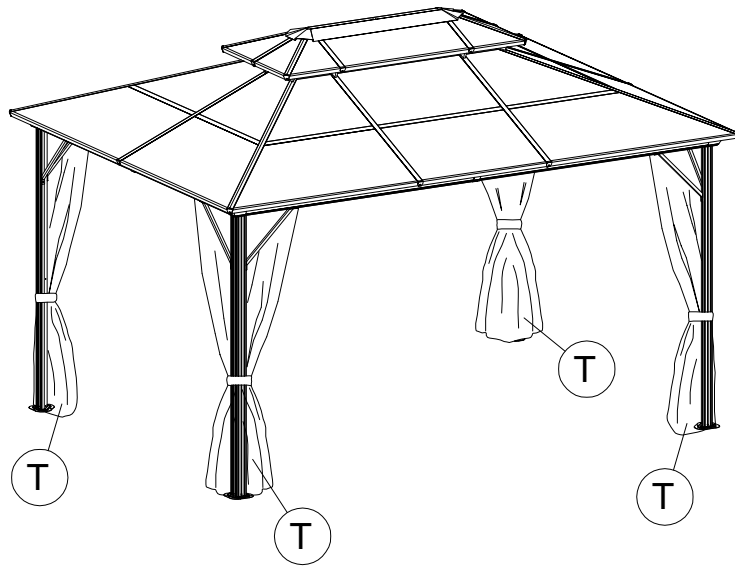
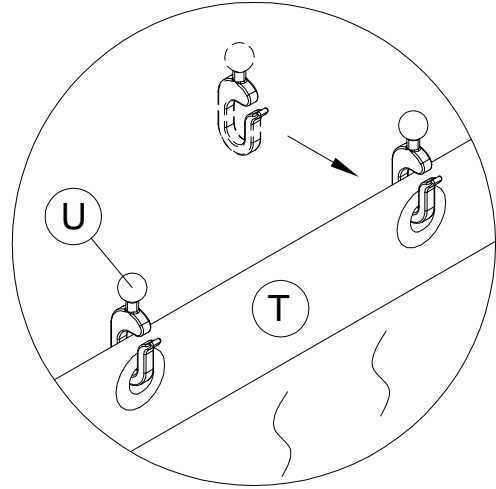
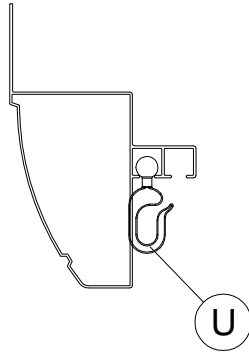


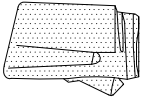




<16>

T 4x





<17>

S 4x

