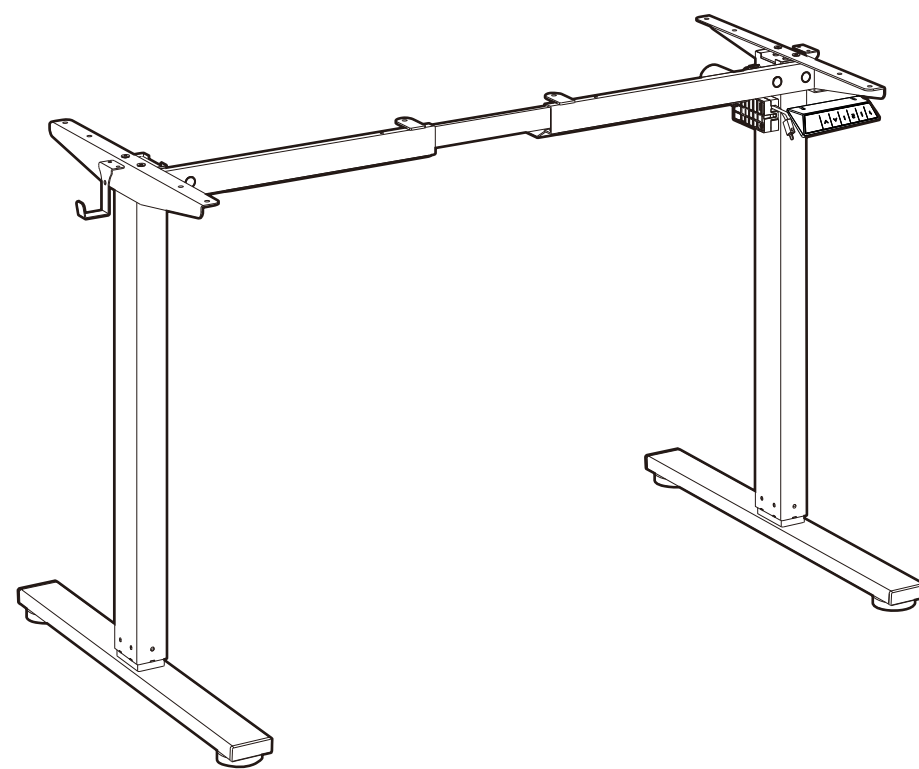


# ET156E

## Installation guide



< The pictures below are for reference only, please refer to the actual product. >  
Please read this product manual carefully before use, and keep it properly.

### Technical Data

Column stage	2
Max. Load Capacity	80KG(With hook, hook load capacity 5KG)
Stretching Range	909mm-1458mm
Max. Speed	15mm/s
Lowest Height	715mm
Highest Height	1160mm
Applicable Tabletop Size	Length: 1000mm-1600mm Width: 500mm-800mm Thickness: >16mm

### Optional module

The product has been designed to meet Commission Regulation with regard to ecodesign requirements for electric power consumption of standby mode of electrical and electronic household equipment.  
The technical information of standby mode:

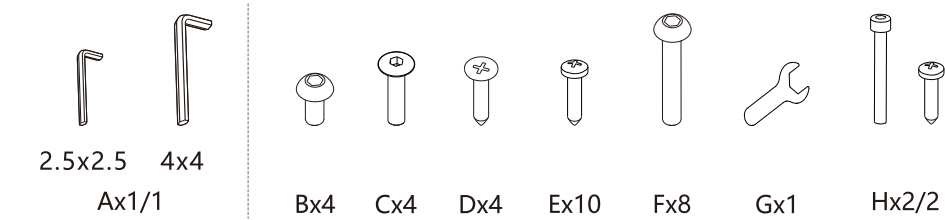
Mode	Power consumption (Watts)	The period(Minutes)
Standby	≤0.5W	1min

Power Supply	
Manufacturer: Shenzhen Green Power Electronic Technology Co.,Ltd.	
Model: GRP-30W290010-CE GRP-30W290010-CK	Average Active Efficiency: ≥86.85%
Rated Input: 100-240VAC,50/60Hz ,0.8A	Efficiency at Low Load (10%): 83.36%
Rated Output: 29.0VDC,1.0A ,29.0W	No-load Power Consumption: ≤0.10 W

### Product List

#### Accessory List

Note: The line drawings below are for reference only and may differ slightly from the physical product in some cases. Please refer to the actual product for accuracy. If any tools are missing or there are problems with installation, please contact customer service.



#### Preparation before installation

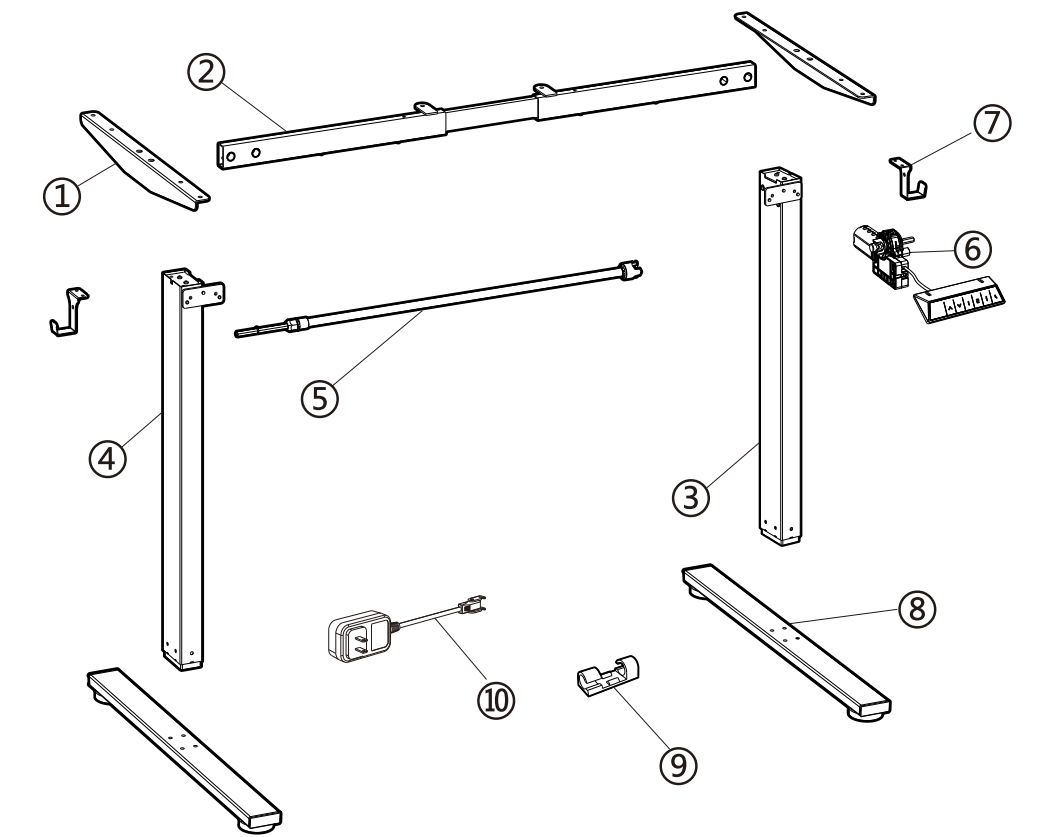


#### Part List

No.	Part
①	Bracket x2
②	Crossbeam x 1
③	Right column x 1
④	Left column x 1
⑤	Transmission Rod x1

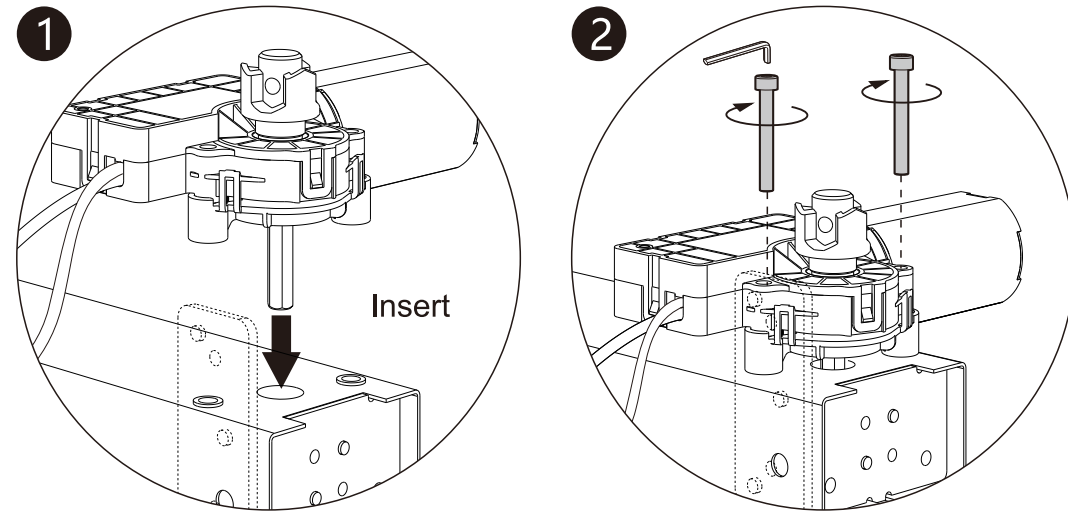
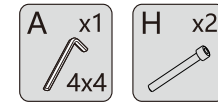
No.	Part
⑥	Motor (with handset) x1
⑦	Hook x2
⑧	Pedestal x2
⑨	Cable Clip x4
⑩	AC power cable x1

### Installation Instruction

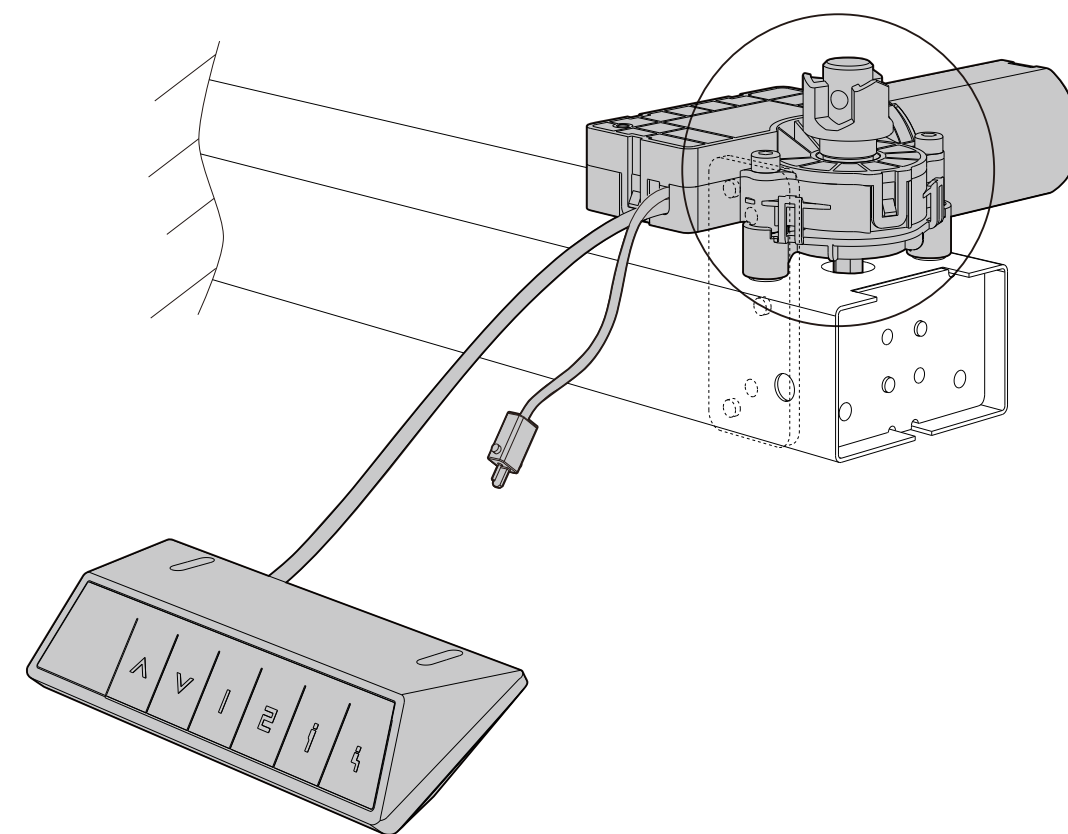


## Installation Steps

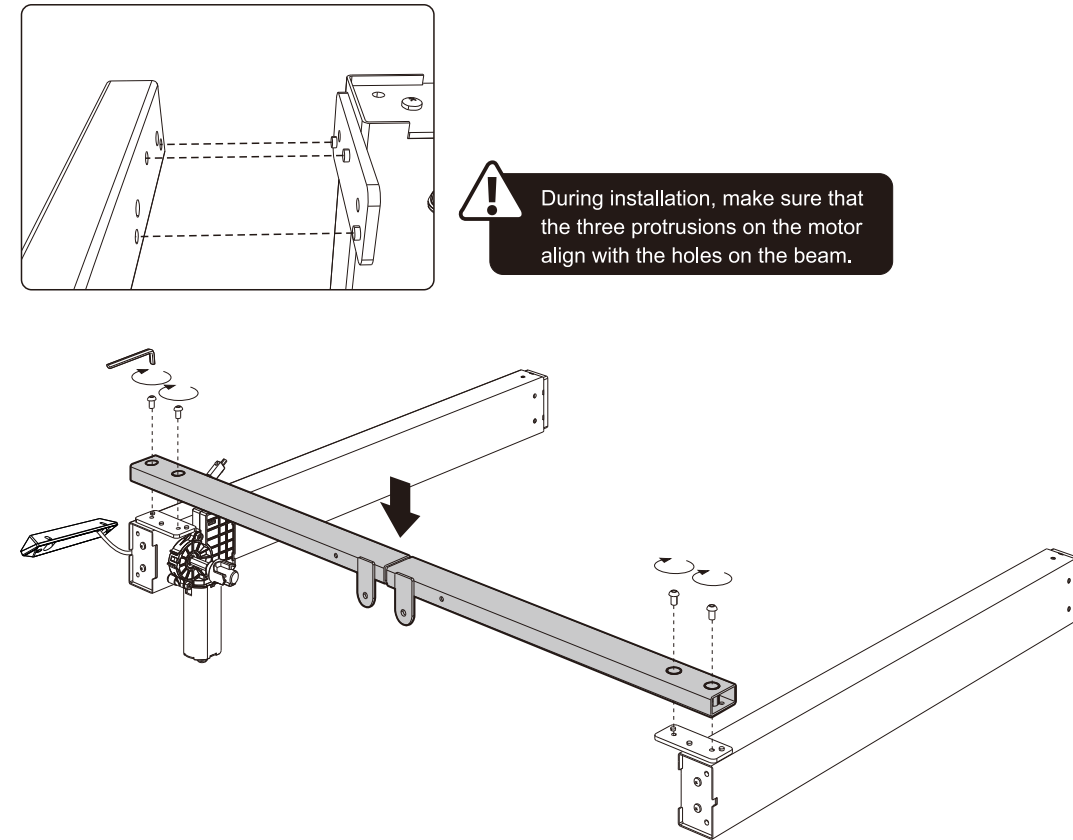
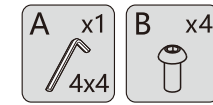
### STEP1 Assemble the motor and the right column



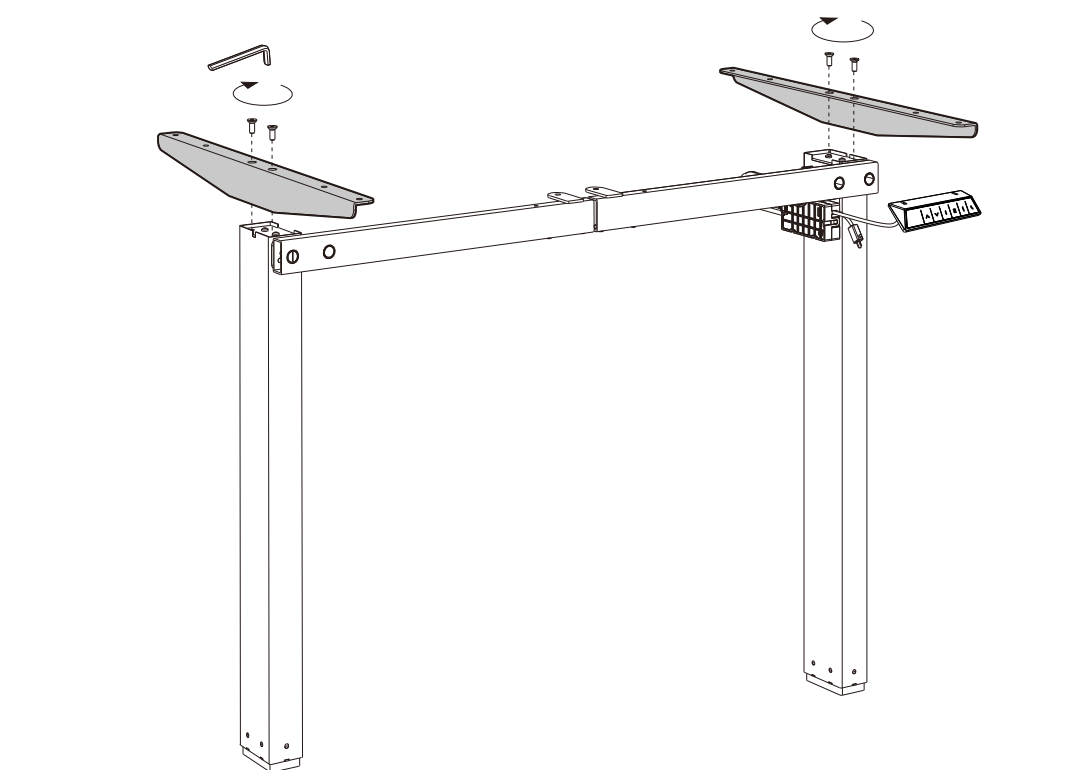
⚠ When the transmission rod is inserted into the coupling, pay attention to the rotation Angle not exceeding 60°



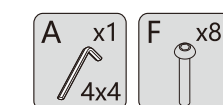
### STEP2 Install the beam



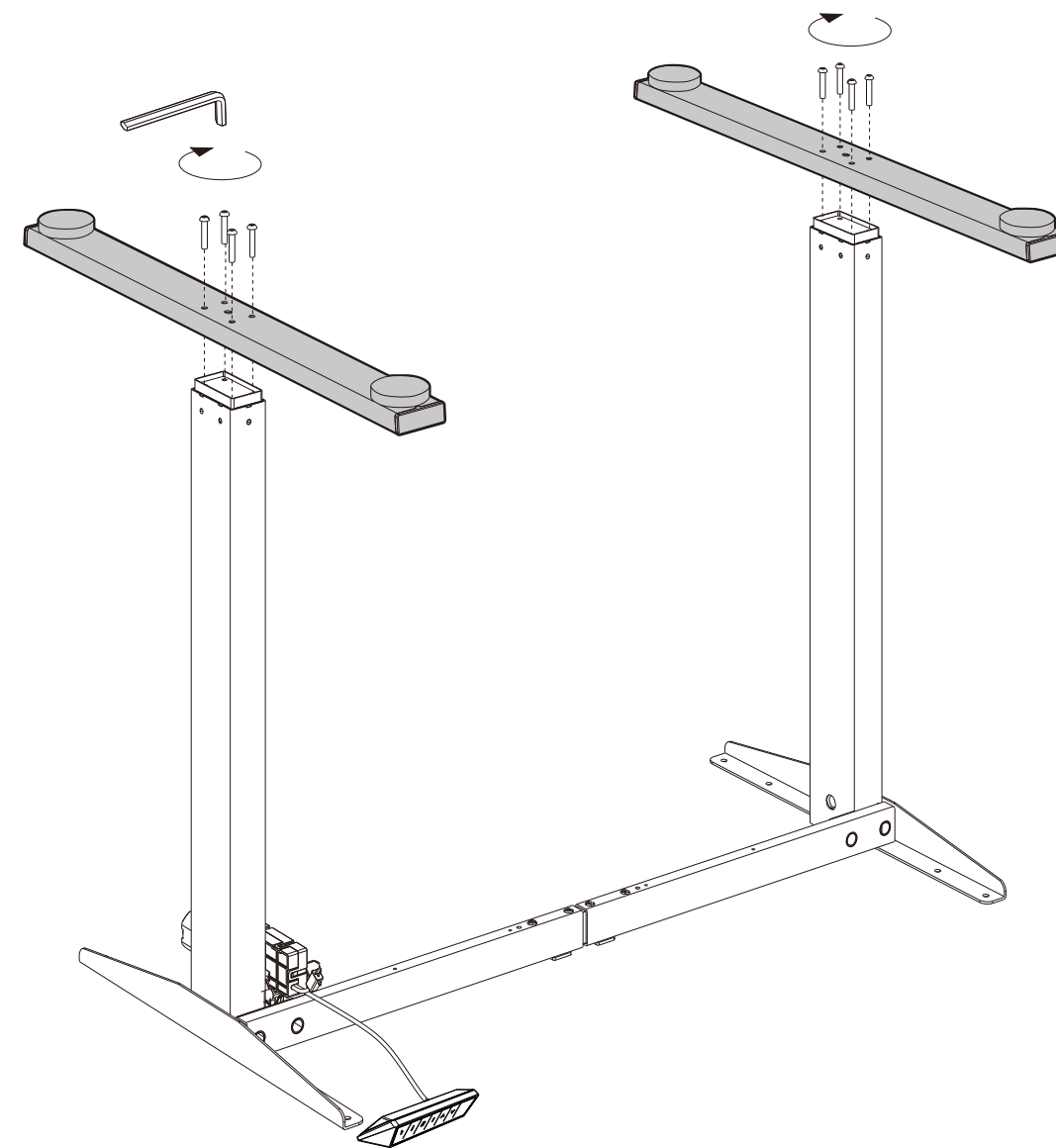
### STEP3 Install the bracket



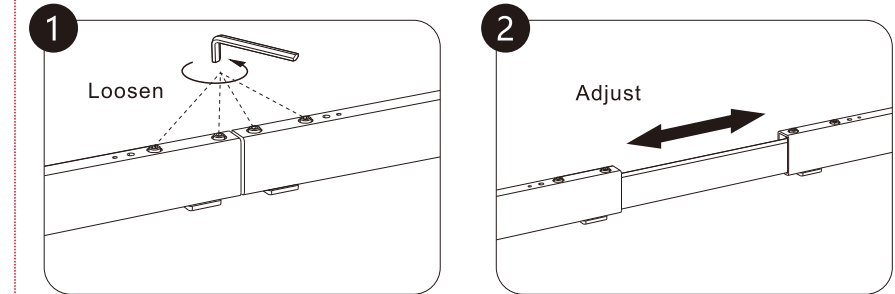
### STEP4 Install the Pedestal



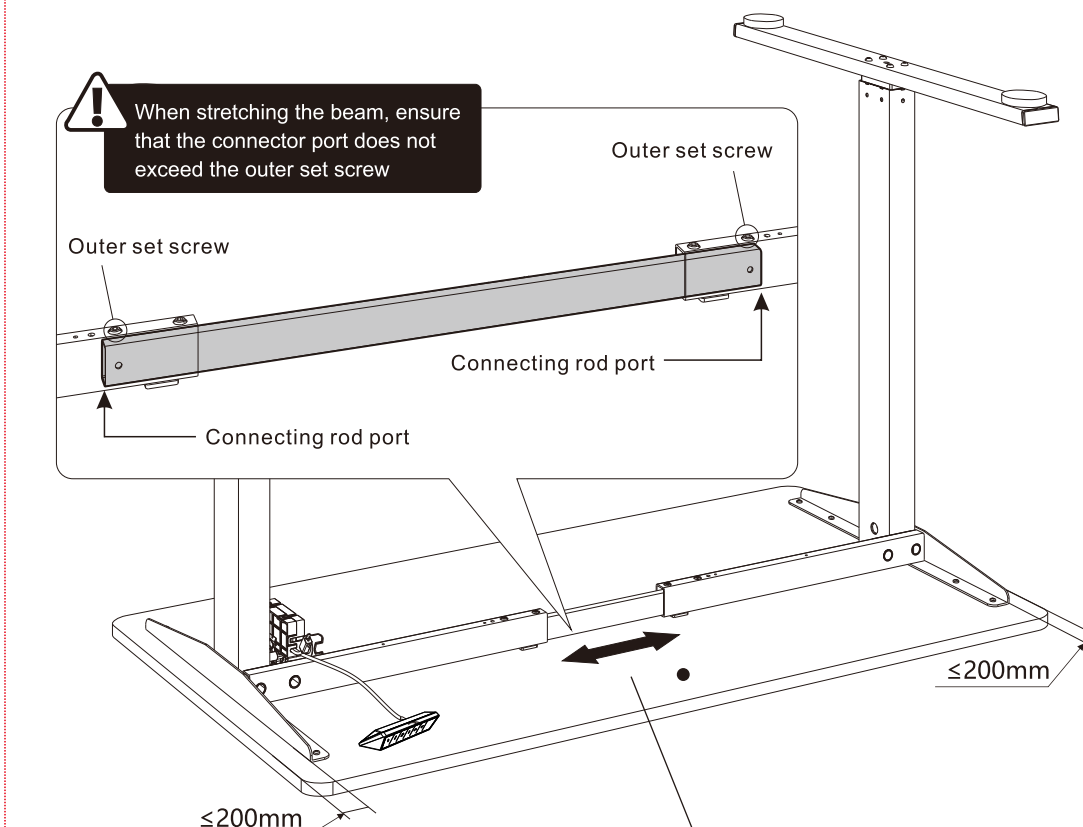
⚠ During installation, it is important to prioritize the installation of diagonal screws.



### STEP5 Adjust the beam

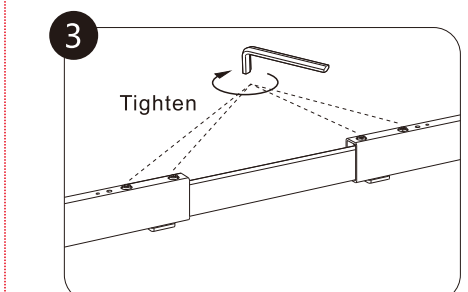


⚠ The distance of the telescoping of the supporting crossbeam can be adjusted according to the actual usage situation.

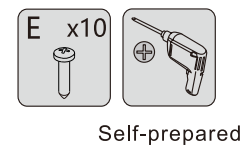


⚠ The distance between the supporting bracket and the edge of the tabletop should not exceed 200mm.

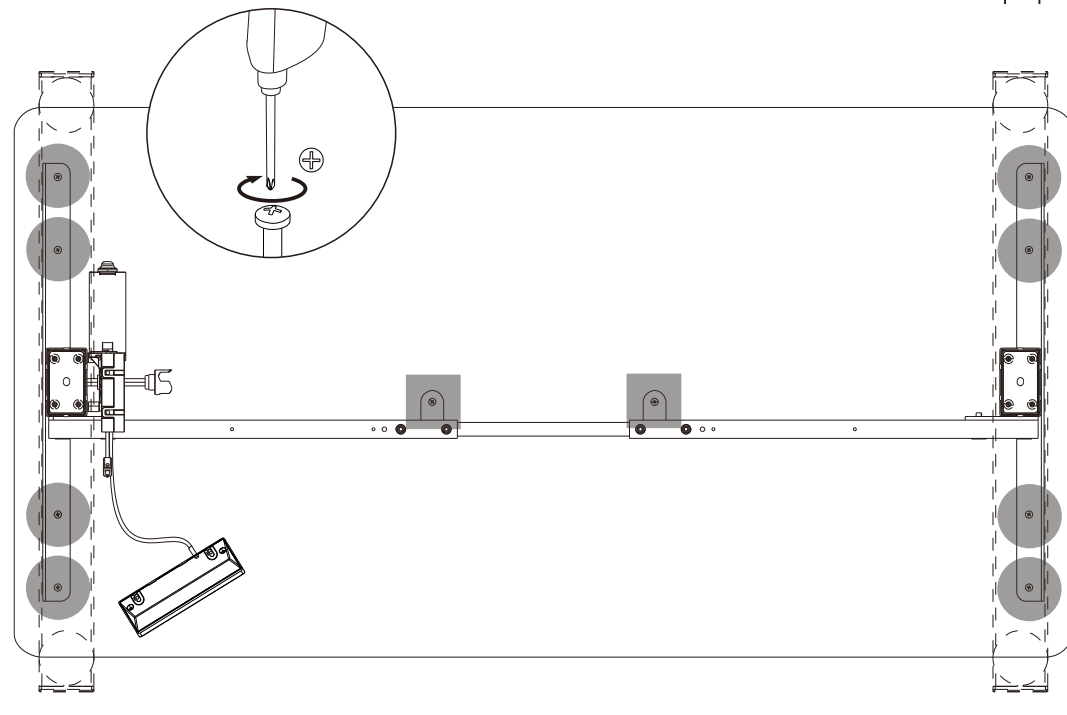
For self-provided tabletops, it is important to ensure sufficient strength. The reference value is 80kg, but the actual weight capacity may vary depending on the specific material of the tabletop.



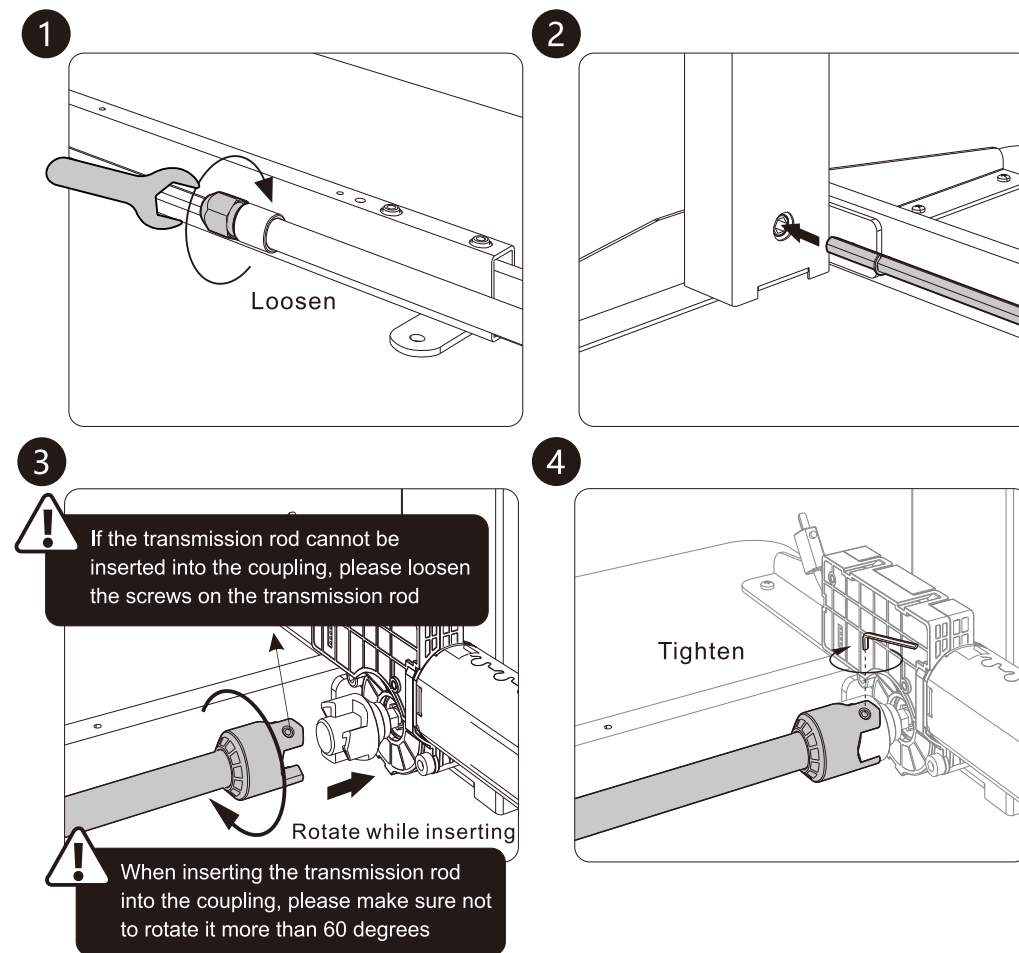
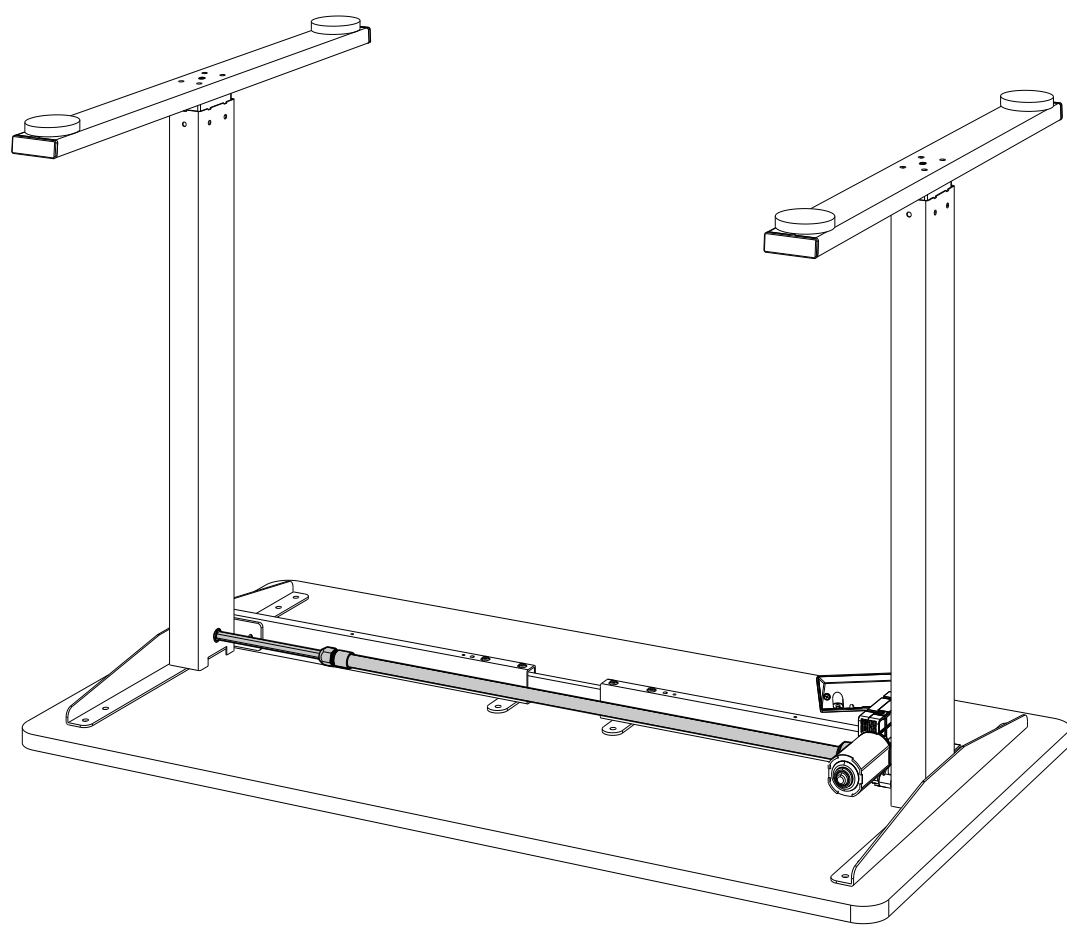
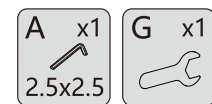
**STEP6** Install the Tabletop



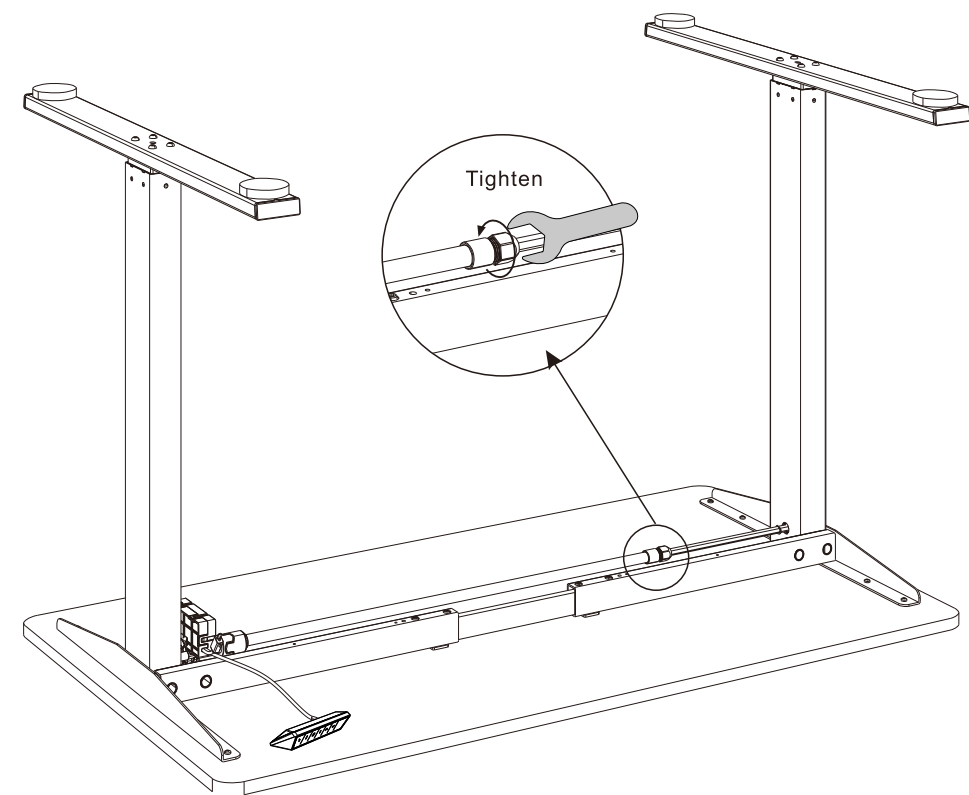
The installation sequence for the screws is ●-■



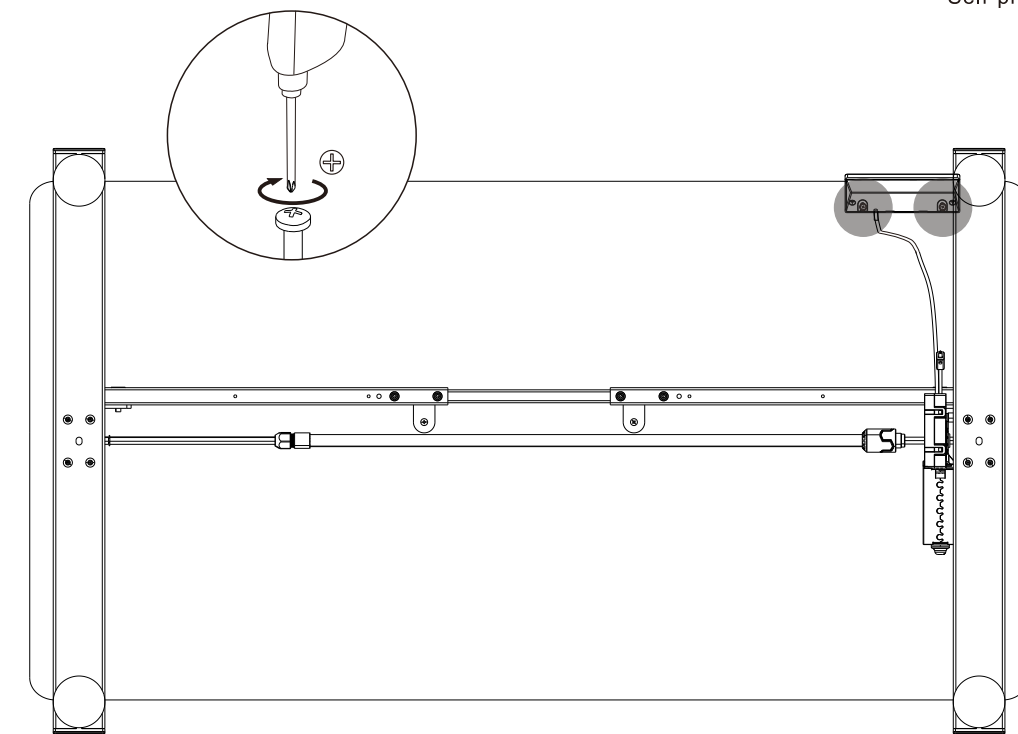
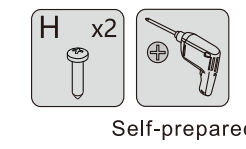
**STEP7** Install the Transmission rod



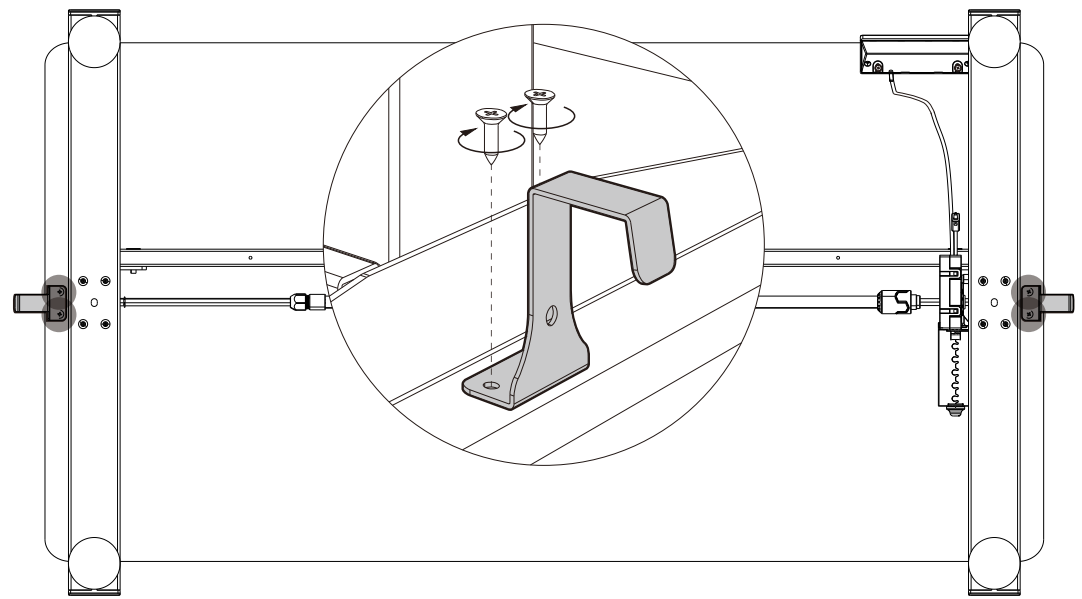
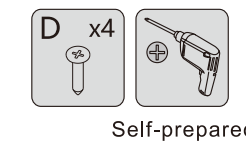
**STEP8** Tighten the transmission rod nut and crossbeam screws



**STEP9** Install the handset

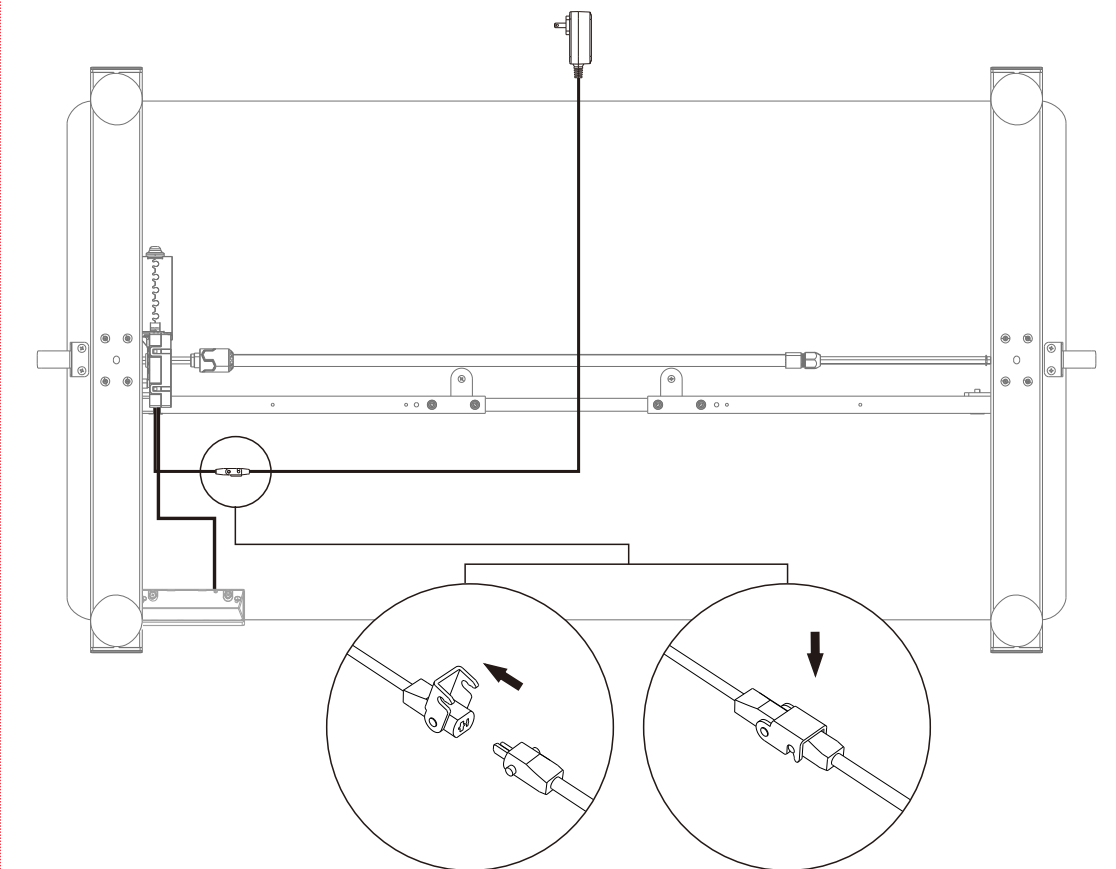


**STEP10** Install the hook

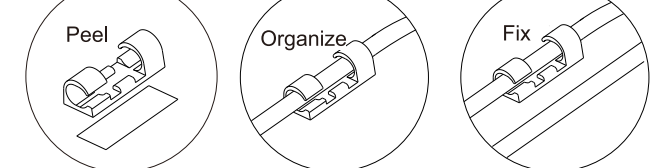


**STEP11** Connect the cables

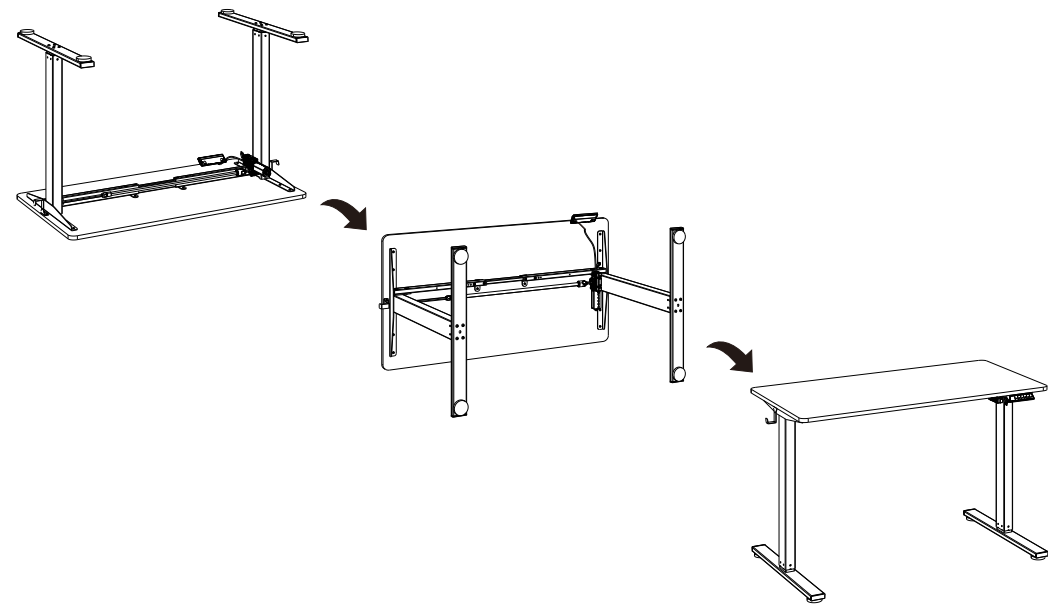
**!** Connect the power supply after completing the cable connection



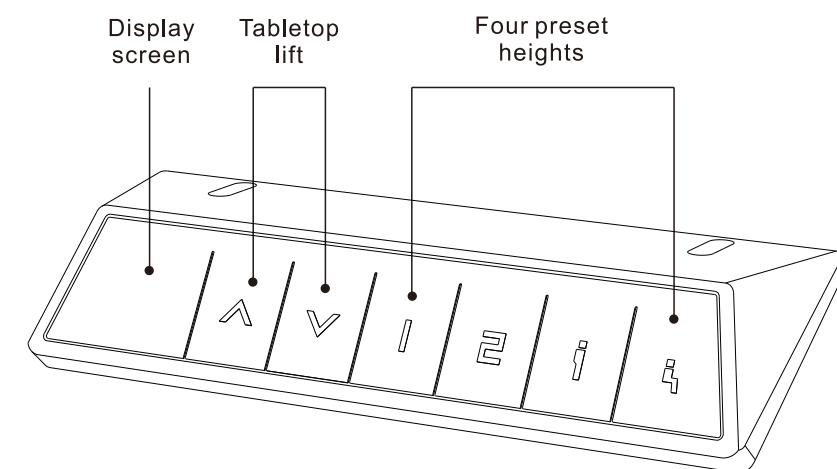
Use Cable clip to secure the various connecting wires to the desktop, keeping the cables tidy.



**STEP12** Flip the table



**Instructions for using and setting up the handset**



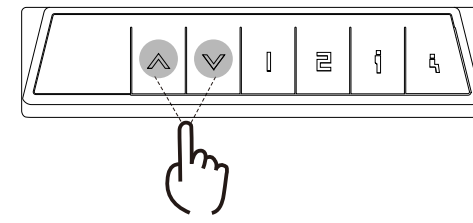
**Note**

Ensure that there are no obstacles blocking the movement of the table during the lifting process and confirm that all cables are long enough for the table to move up and down.

**Suggestion**

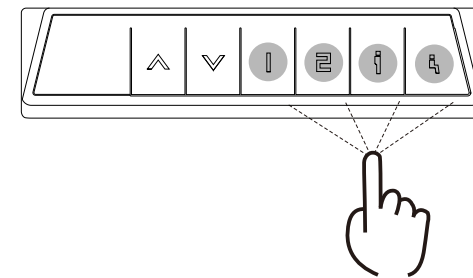
Set the most comfortable height when sitting as "1" and the most comfortable height when standing as "2". Additional preset heights can be freely set to other heights.

● **Button Control for Height Adjustment**



a. By pressing the "▲" or "▼" button, you can adjust the height of the lifting table up or down, and the current height will be displayed on the screen.

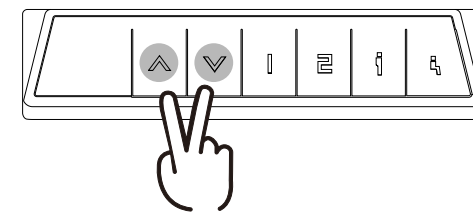
● **Height Memory Function**



a. When the height-adjustable desk is in a stationary state, Press and hold the "1" button for 3 seconds, and the screen will display "5-1", indicating that the current height has been successfully saved in memory. Then, you can operate the lifting table to any height, and by pressing the "1" button, it will automatically return to the saved height.

b. The "2", "3", and "4" buttons also have the same height memory function as the "1" button. By repeating the above steps, you can save the corresponding height in memory. Then, by pressing the respective button, the lifting table will automatically move to the saved height.

● **Adjusting Collision Sensitivity (Optional)**

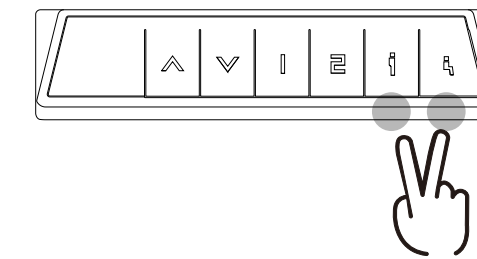
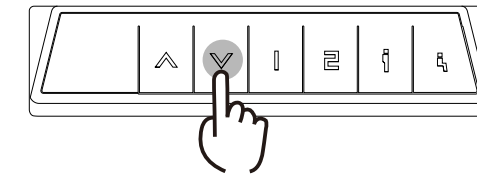


a. There are four gears in total. When the lifting system encounters resistance, this function is triggered for fallback protection.

b. Press and hold the "▲" and "▼" buttons at the same time for 3 seconds to switch the sensitivity. One operation switches one level, with 4 levels: (A-0, A-1, A-2, A-3)

c. "A-0" indicating that the collision prevention function is turned off; "A-1" indicating low sensitivity; "A-2" indicating medium sensitivity; "A-3" indicating high sensitivity.

● **Reset Function**



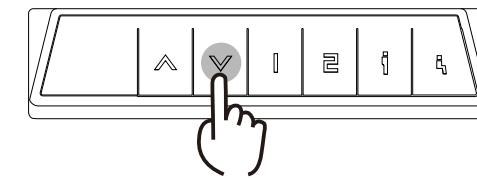
a. The specific steps to reset

Method 1: Press and hold the "▼" button until the height-adjustable desk lowers to the lowest position, then release the button. Continue to press and hold the "1" button until the screen displays the current height, then release the "▼" button to complete the reset.

Method 2: Simultaneously press and hold the "1" and "2" keys for more than 3 seconds to view the software version of the entire system. After viewing, continue to press and hold the "1" and "2" keys. When the LED screen displays "r-5t", release the keys to enter the reset state. Press and hold the "▼" button until the screen displays the current height, then release the "▼" button to complete the reset.

b. If the height adjustment system malfunctions, press and hold the "▼" down button until the screen displays the current height, then release the "▼" button to complete the reset.

● **Troubleshooting**



a. Reset function definition: The LED display shows "r-5t". The user holds down the down arrow key until the desk lowers to the lowest position and then rebounds up to a stop. The display will show the lowest height. After releasing the "▼" down key, the reset is complete and the desk can be used normally again.

b. If you see "E01", allow the desk to rest for at least 18 minutes before using it again.

c. If you encounter any other error codes and the "▼" button does not respond, please check if the connection cable is undamaged and properly connected. Disconnect the power for at least 10 seconds, then reconnect it. The LED screen will display "r-5t". Press and hold the "▼" button to reset.

d. If you have followed the above steps and the desk still does not function properly, please contact customer service for further assistance.

**Troubleshooting**

This list is used for checking and solving faults and errors. Please contact the manufacturer if problem you encounter is not on the list below.

Problem	Solution
The electronic functions are unable to operate properly	Check the cable connection
Speed of lifting is slow	Check if the load weighs more than 80 kg
The worksurface slides downward	
The device often enters the reset state	Perform a reset operation
Only descending, not ascending, or only ascending, not descending	
Insufficient height for ascending and descending	
The bottom cannot rise	Power off for 18 minutes and then reconnect the power
After exceeding the working duty cycle requirements (Duty cycle: Max 2min on/18min OFF)	
When pressing the down key, the device goes up instead	Check if there are any obstacles or hanging cables under the table



### Attention

1. Power supply: AC100V-240V, frequency 50/60Hz.
2. Operating environment: Indoor, 0-40° .
3. Before cleaning, make sure to unplug the power cord. Use a slightly damp cloth to wipe away surface dust, taking care not to let water drip into the internal components or damage the connection wires. Regularly check if screws are loose and tighten them if necessary.
4. The electrical box contains electronic components, metals, plastics, wires, etc. Dispose of it according to the environmental regulations of your country, not as regular household waste.
5. Before using the product, carefully inspect and ensure that it has been correctly installed. Use only the accessories provided by the manufacturer for installation. Leave adequate safety clearance when placing the product to avoid pinch hazards.
6. Before first use, familiarize yourself with all the functions and program settings of the product.
7. Children are not allowed to play on this product. Certain unpredictable behaviors may result from children playing on the product, and the manufacturer will not be responsible for any resulting accidents.
8. Slight noises from the multi-belt or brake system caused by the structure will not affect the use of the equipment.
9. The use of corrosive or abrasive materials for cleaning equipment is prohibited. Make sure that the cleaning agents used will not contaminate the environment.
10. Operate the equipment only after understanding the relevant hazards. Children under the age of 14 or individuals with physical or sensory impairments or mental disabilities should use the equipment under proper supervision and guidance. Children should not have unattended access to the product.
11. Children should not perform cleaning and user maintenance without supervision.
12. In case of power cord damage, it must be replaced by the manufacturer or relevant professionals to avoid injury.
13. Ensure that your operating environment is free of any potential hazards, such as not littering tools. Always handle packaging materials with caution to avoid various potential dangers, such as the choking hazard posed by children playing with plastic bags.
14. When moving the product, ensure that there are no items placed on the table, the drawers and doors are closed securely, screws are tightened, and the power plug is unplugged. Use at least 2 people for moving. If necessary, keep the original packaging for future transportation.
15. When storing for a long time, unplug the power cord and clean out any loose objects. Store it in a cool and dry place.
16. This product contains small parts that can pose a choking hazard if swallowed accidentally. Keep these small accessories away from children.

#### Waste disposal



This marking indicates that this product should not be disposed with other household wastes. To prevent possible harm to the environment or human health from uncontrolled waste disposal, recycle it responsibly to promote the sustainable reuse of material resources. To return your used device, please use the return and collection systems or contact the retailer where the product was purchased. They can take this product for environmental safe recycling.