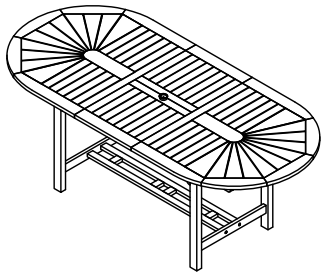
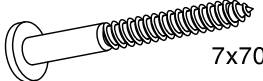







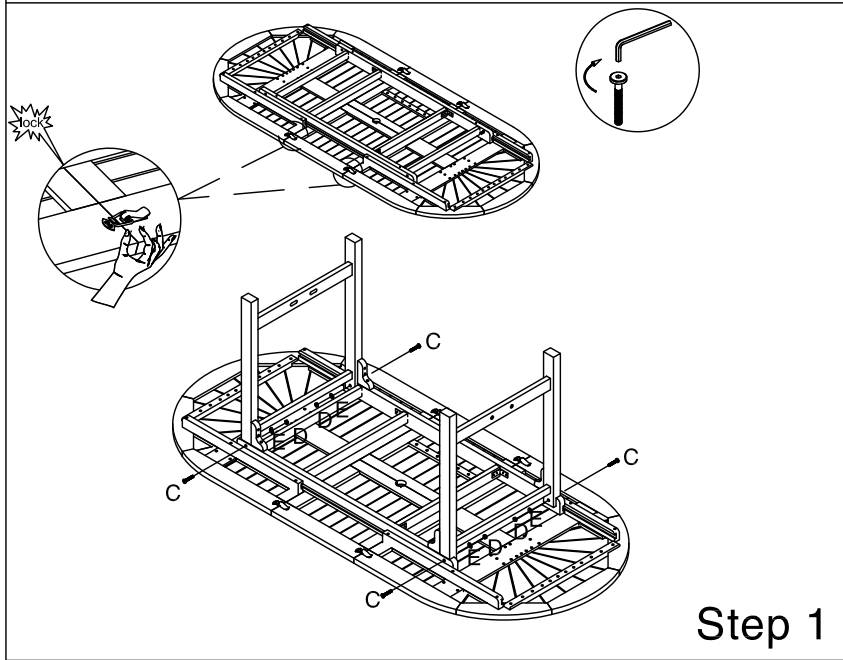


DESCRIPTION

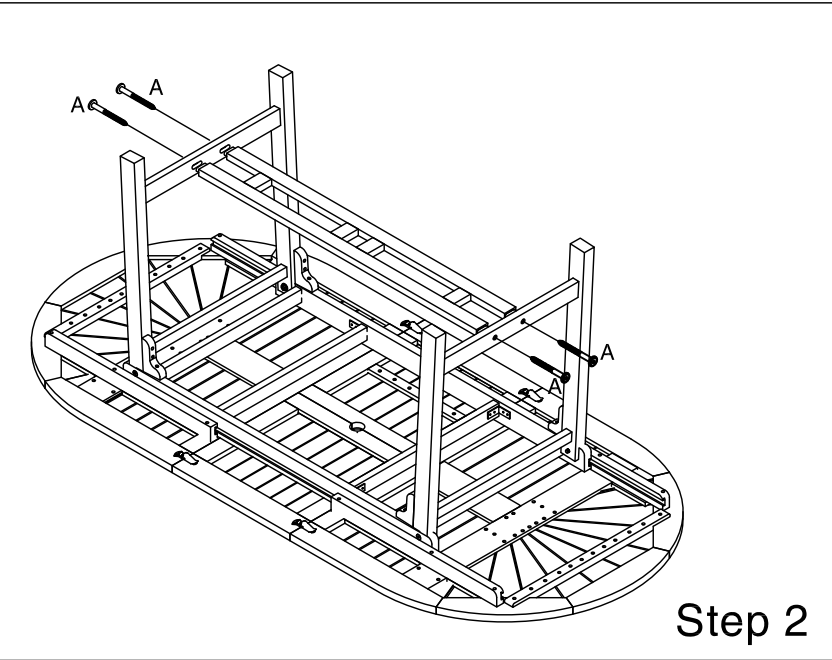


# ASSEMBLY INSTRUCTIONS

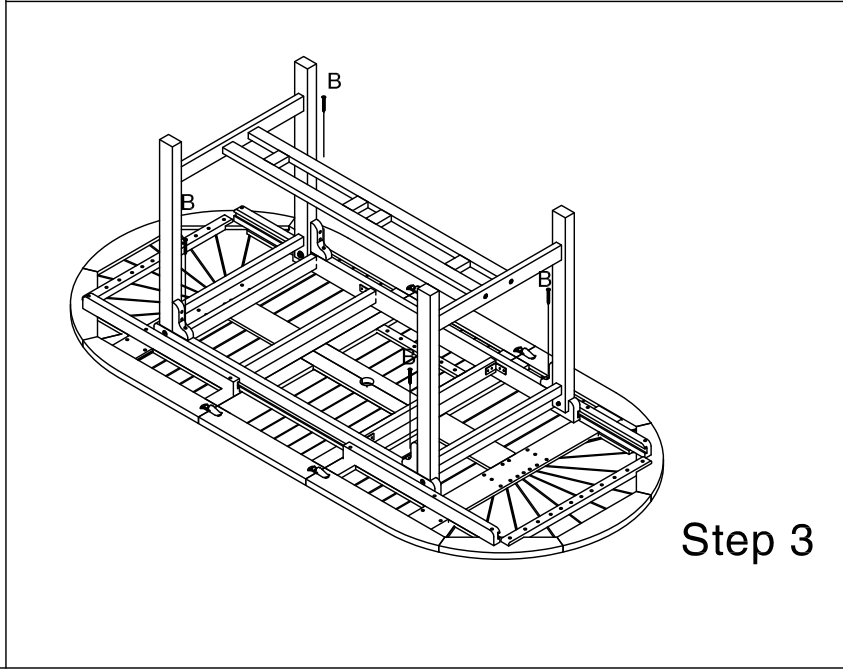
No.	HARDWARE LIST	Q.TY
A	 7x70x15	4PCS
B	 6x50x13	4PCS
C	 8x45x15	4PCS
D	 M8x6.5	4PCS
E	 8.5x16x1	4PCS
	 ALLENKEY M4	1PCS
		1PCS
		1PCS



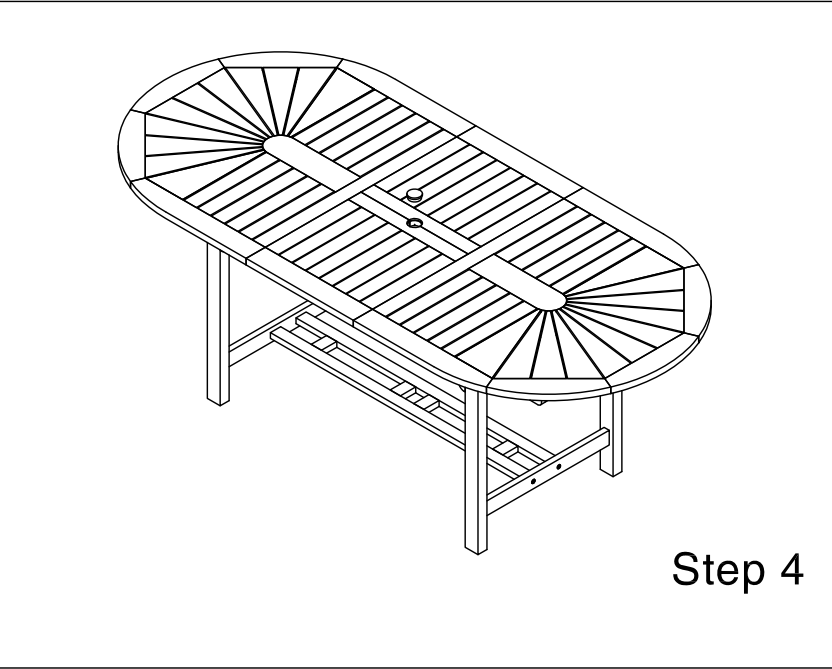
Step 1



Step 2



Step 3



Step 4