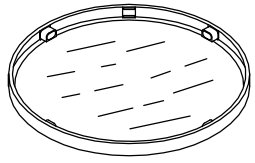


ASSEMBLY INSTRUCTIONS

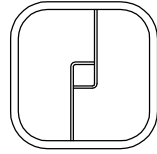
LIST



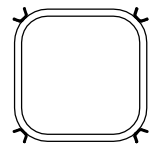
A x1



B x4



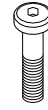
C x1



D x1



E x4



F x8



G x1



H x8



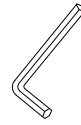
I x8



J x8



K x8

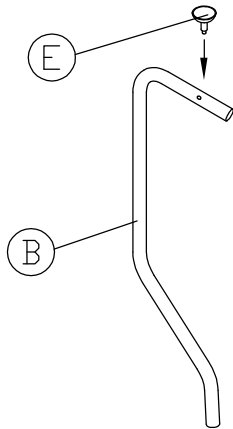


L x1

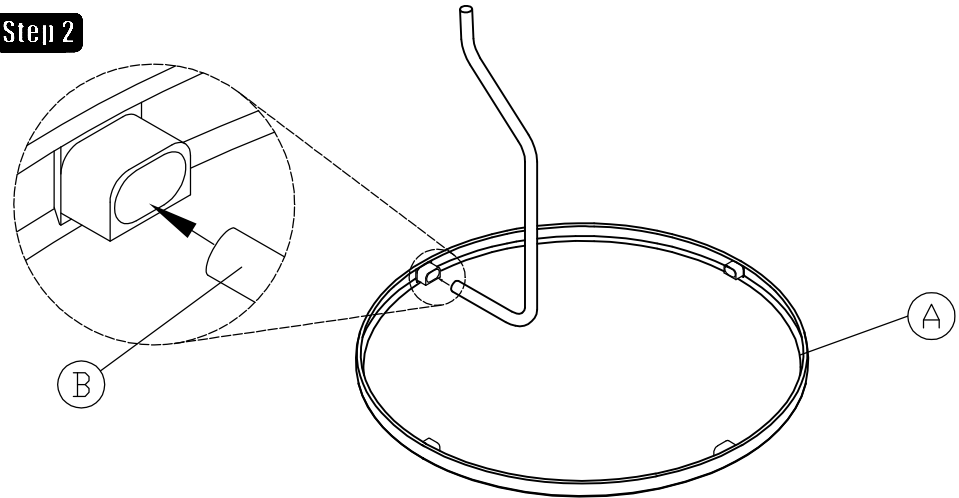


M x1

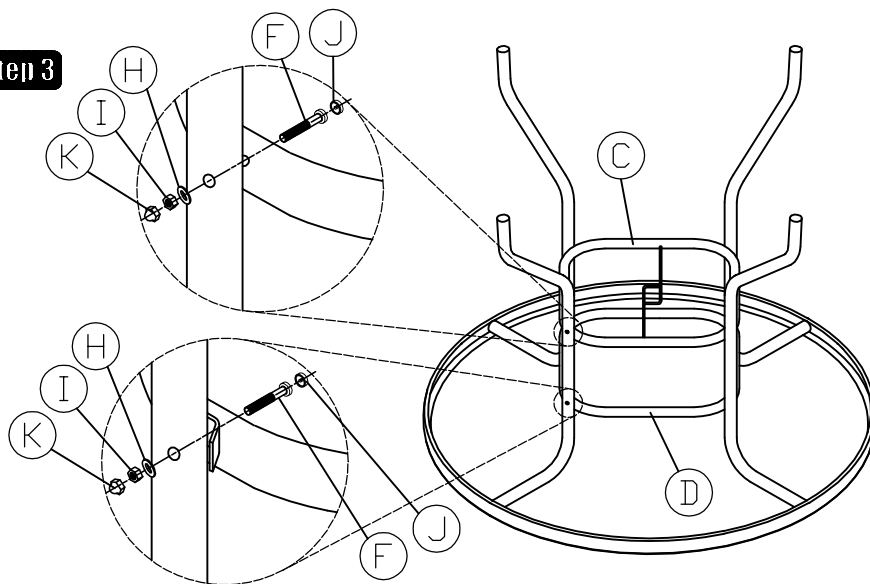
Step 1



Step 2



Step 3



Step 4

