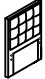
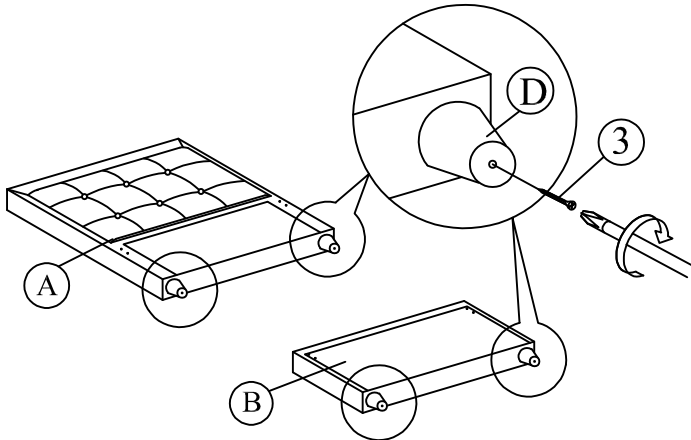
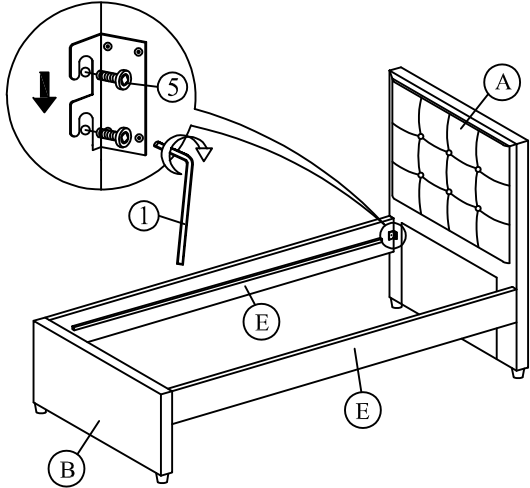
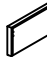
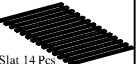







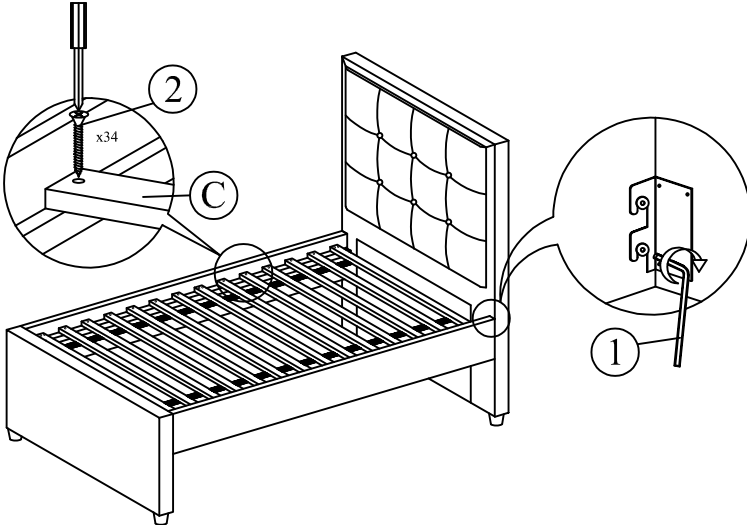
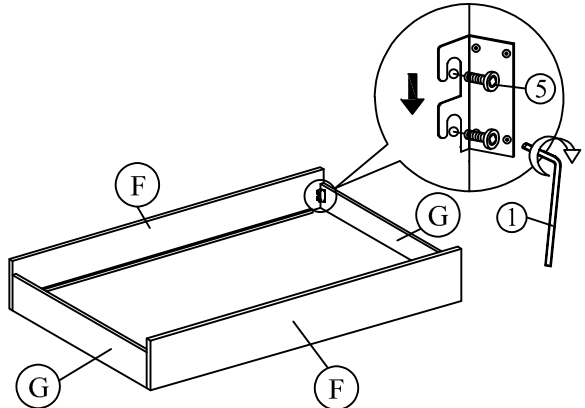






KOKKUPANEKUJUHEND

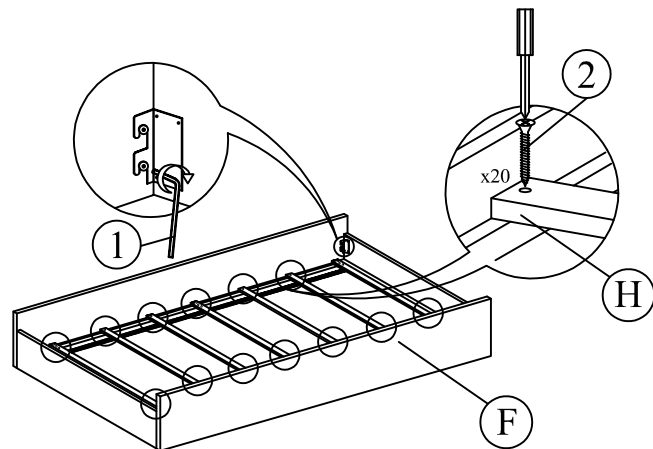
VOODI OSWALDO 28881

| | | | | |
|------------------|---|--------------------------------|---|--|
| | | | Step 1 : | Step 2 : |
| A |  | Headboard 1 pc |  |  |
| B |  | Footboard 1 pc | | |
| C |  | Slat 14 Pcs 1 pc | | |
| D |  | Legs 4 pcs | | |
| E |  | Side Rail 2 pcs | | |
| F |  | Trundle Front Panel (PU) 2 pcs | | |
| G |  | Trundle Side Panel 2 pcs | | |
| H |  | Slat 7 Pcs 1 pc | | |
| I |  | Bottom Panel 2 pcs | | |
| Packing Hardware | | | | |
| 1 |  | M5 x 70 mm 1 pc |  |  |
| 2 |  | CSK M4 x 32mm 66 pcs | | |
| 3 |  | CSK M4 x 50mm 4 pcs | | |
| 4 |  | Roller 6 pcs | | |
| 5 |  | JCBB M8 X 20 16 pcs | | |

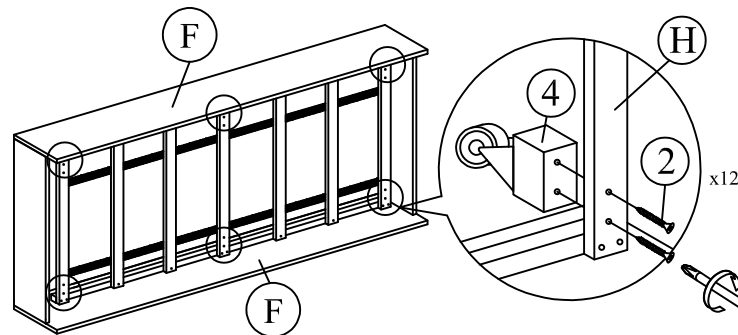
KOKKUPANEKUJUHEND

VOODI OSWALDO 28881

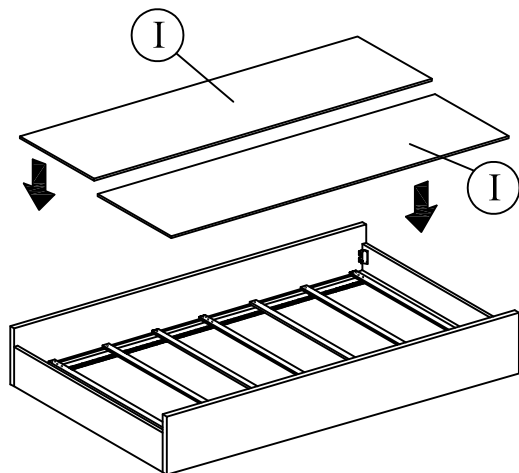
Step 5 :



Step 6 :



Step 7 :



Step 8 :

