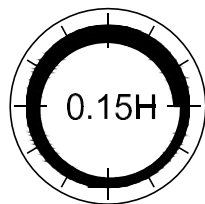
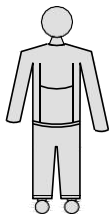
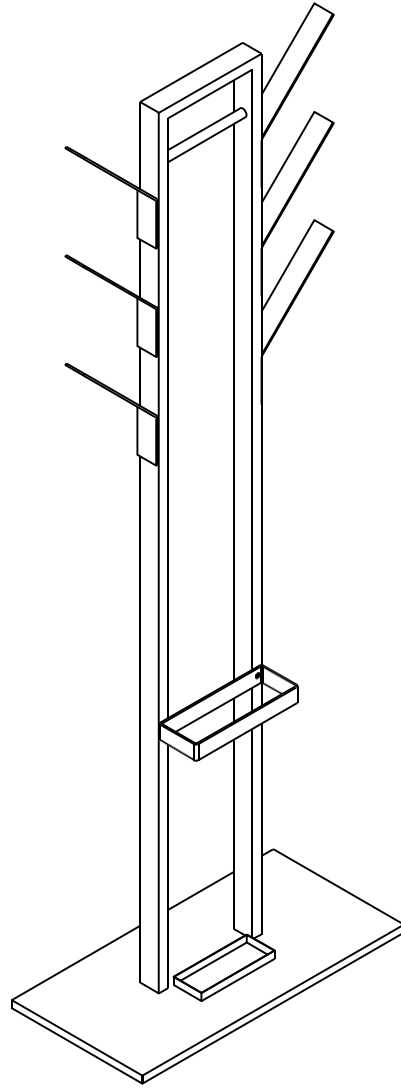
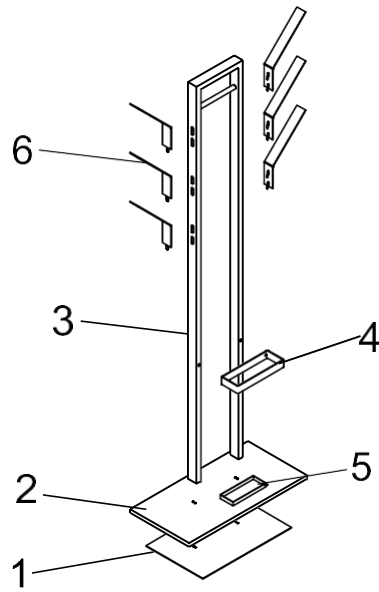


---

# Vinson





**M6 X 30mm**

**M5 X 10mm**

A X 4

B X 4

C X 2

D X 1

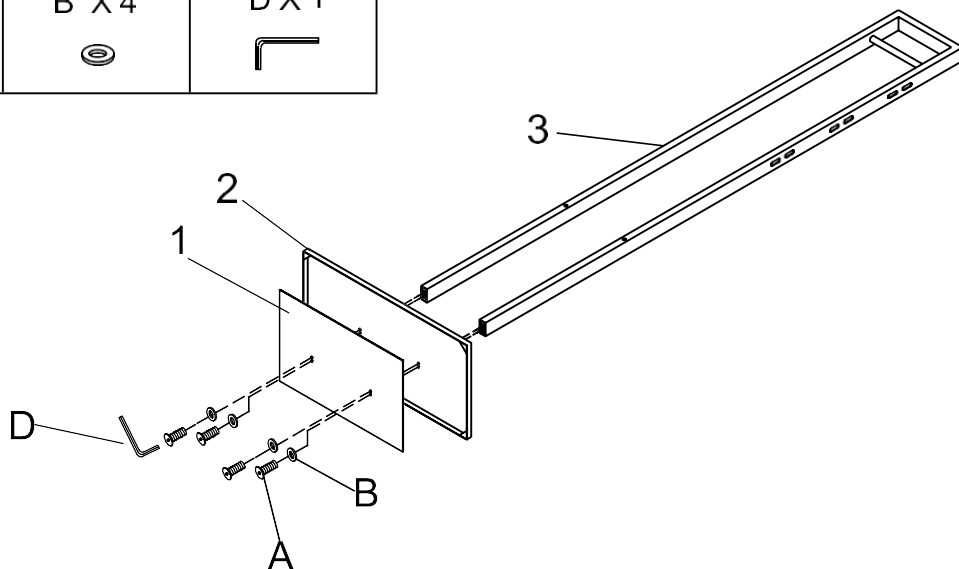


**M6x30mm**

A X 4

B X 4

D X 1

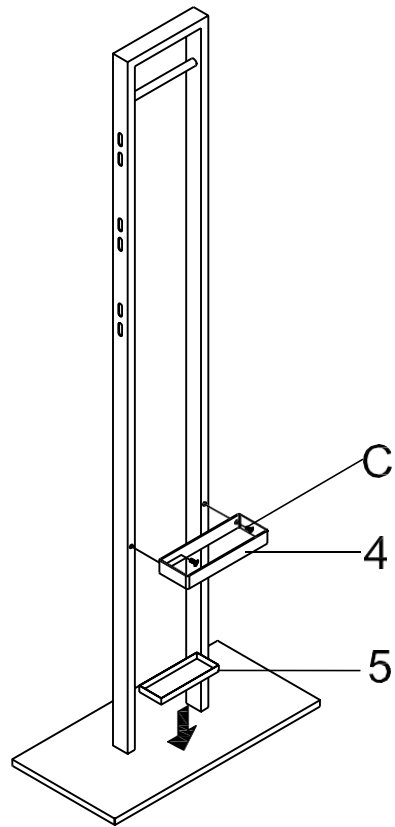


①

②

M5X10mm

C X 2



③

