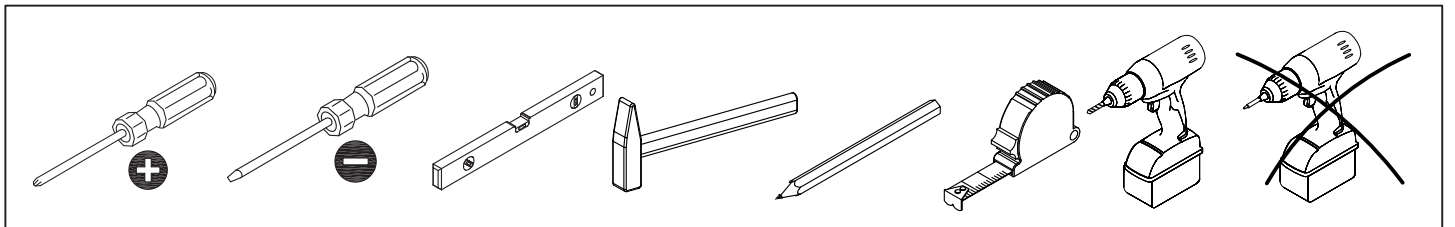
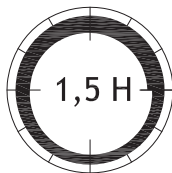
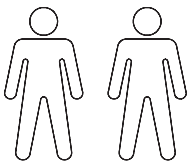
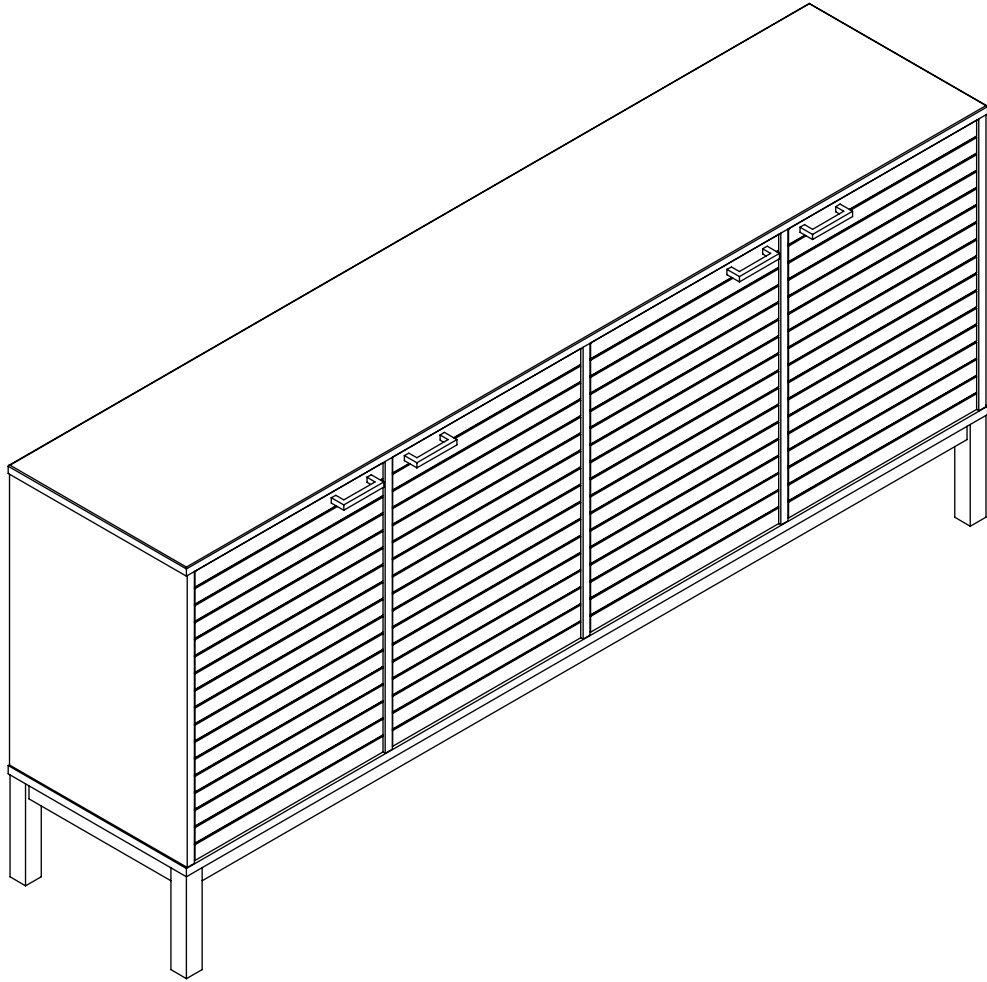
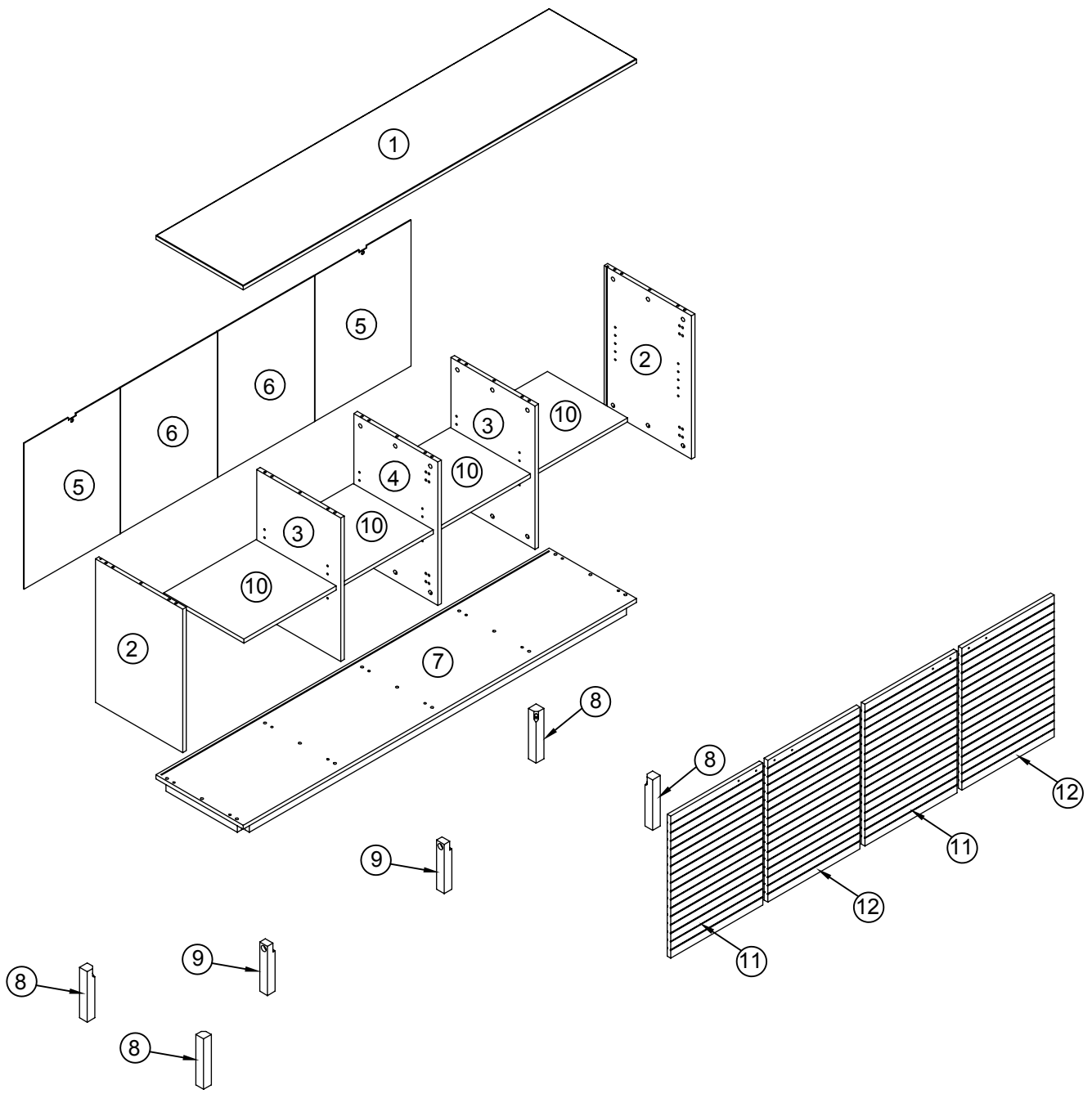


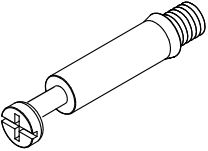
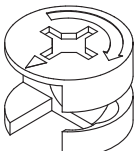
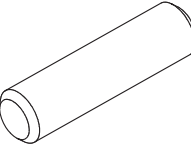
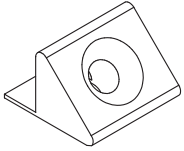
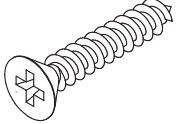
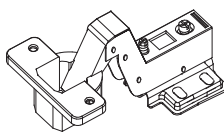
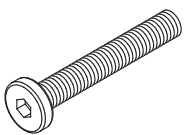
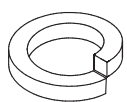
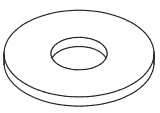
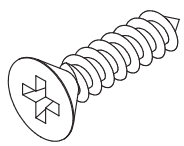
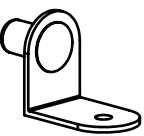
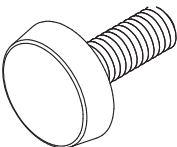

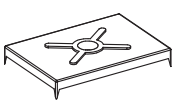
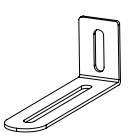
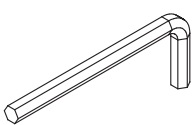
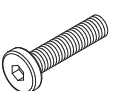
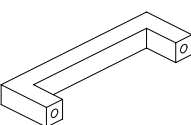
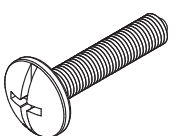
KENSINGTON



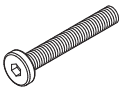
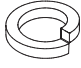
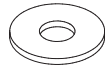
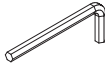
			✓
①	1	1798x400x16	
②	2	568x399x16	
③	2	568x385x16	
④	1	568x385x16	
⑤	2	578x440.5x3	
⑥	2	578x443x3	

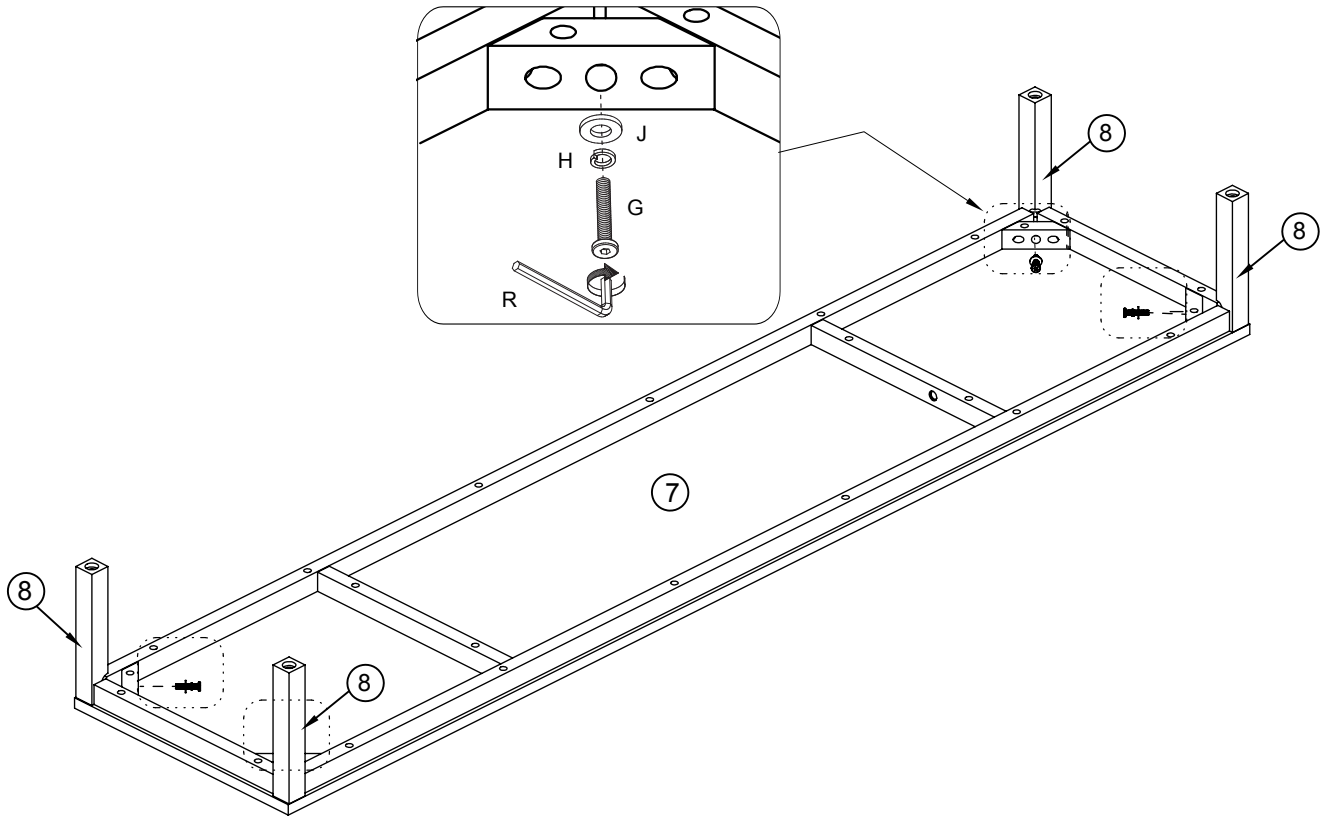
			✓
⑦	1	1798x400x51	
⑧	4	200x30x30	
⑨	2	195x30x30	
⑩	4	421x367x16	
⑪	2	562x422x16	
⑫	2	562x422x16	



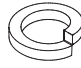
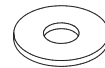
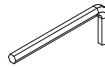
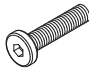
<p>A x 30</p>  <p>M6/34 mm</p>	<p>B x 30</p>  <p>Ø15x12 mm</p>	<p>C x 20</p>  <p>Ø8x30 mm</p>	<p>D x 4</p>  <p>15x15 mm</p>	<p>E x 10</p>  <p>Ø3.5x15 mm</p>
<p>F x 8</p>  <p>Ø35,FK 17</p>	<p>G x 4</p>  <p>M8x60 mm</p>	<p>H x 6</p>  <p>Ø8 mm</p>	<p>J x 6</p>  <p>Ø8/Ø16 mm</p>	<p>K x 52</p>  <p>Ø4x15 mm</p>
<p>L x 16</p>  <p>30x13x17 mm</p>	<p>M x 6</p>  <p>M6/Ø15x20/6 mm</p>	<p>N x 6</p>  <p>Ø4/ Ø12 mm</p>	<p>P x 6</p>  <p>20x14x3 mm</p>	<p>Q x 2</p>  <p>85x30x20 mm</p>
<p>R x 1</p>  <p>5 mm</p>	<p>S x 2</p>  <p>M8x35 mm</p>	<p>T x 4</p>  <p>90x28x10 mm</p>	<p>U x 8</p>  <p>M4x22 mm</p>	

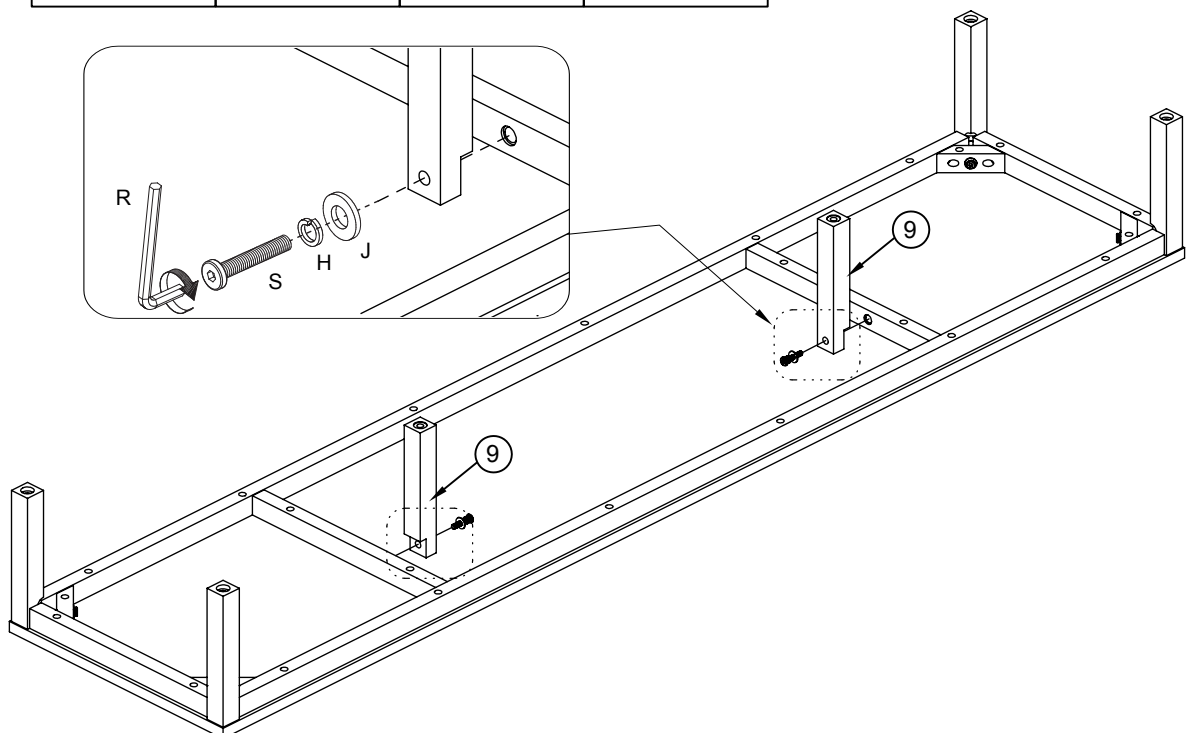
1

G x 4  M8x60 mm	H x 4  Ø8 mm	J x 4  Ø8/Ø16 mm	R x 1  5 mm
--------------------------------------------------------------------------------------------------------	-----------------------------------------------------------------------------------------------------	---------------------------------------------------------------------------------------------------------	----------------------------------------------------------------------------------------------------

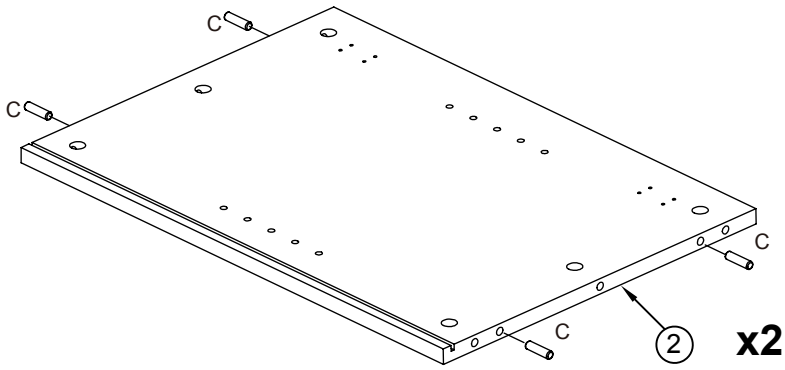
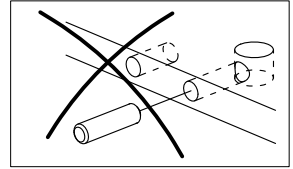
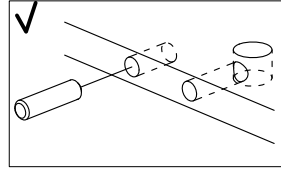
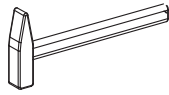
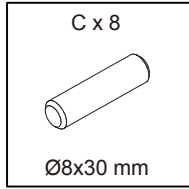


2

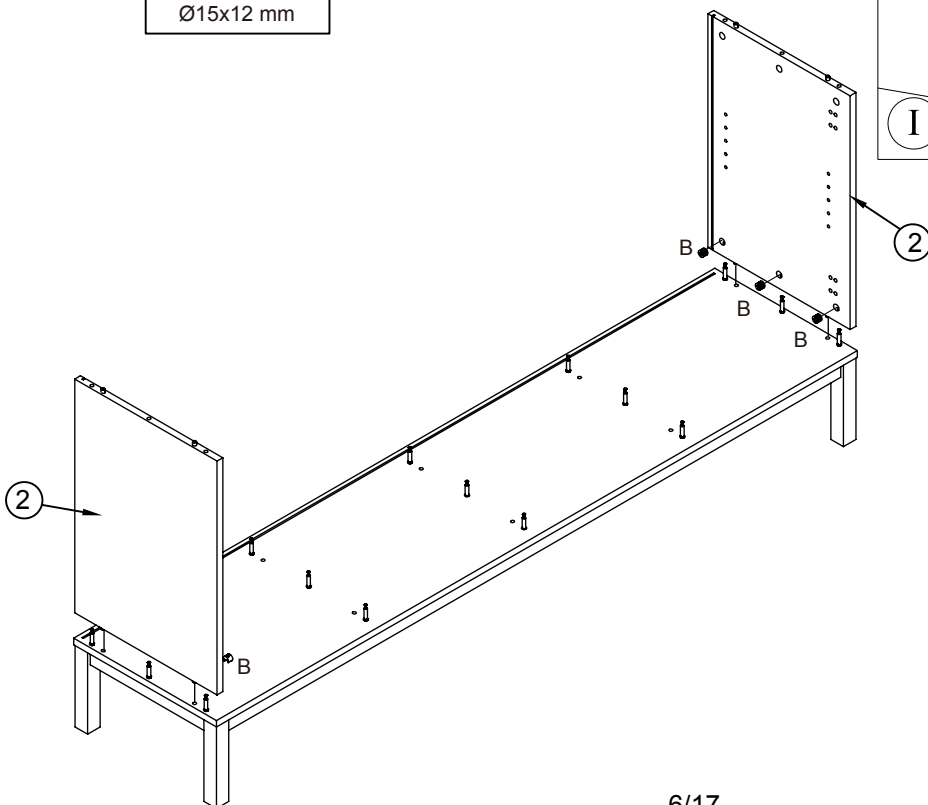
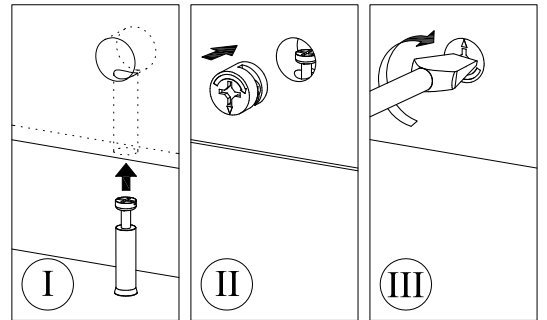
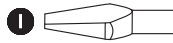
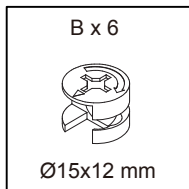
H x 2  Ø8 mm	J x 2  Ø8/Ø16 mm	R x 1  5 mm	S x 2  M8x35 mm
-------------------------------------------------------------------------------------------------------	-----------------------------------------------------------------------------------------------------------	------------------------------------------------------------------------------------------------------	----------------------------------------------------------------------------------------------------------



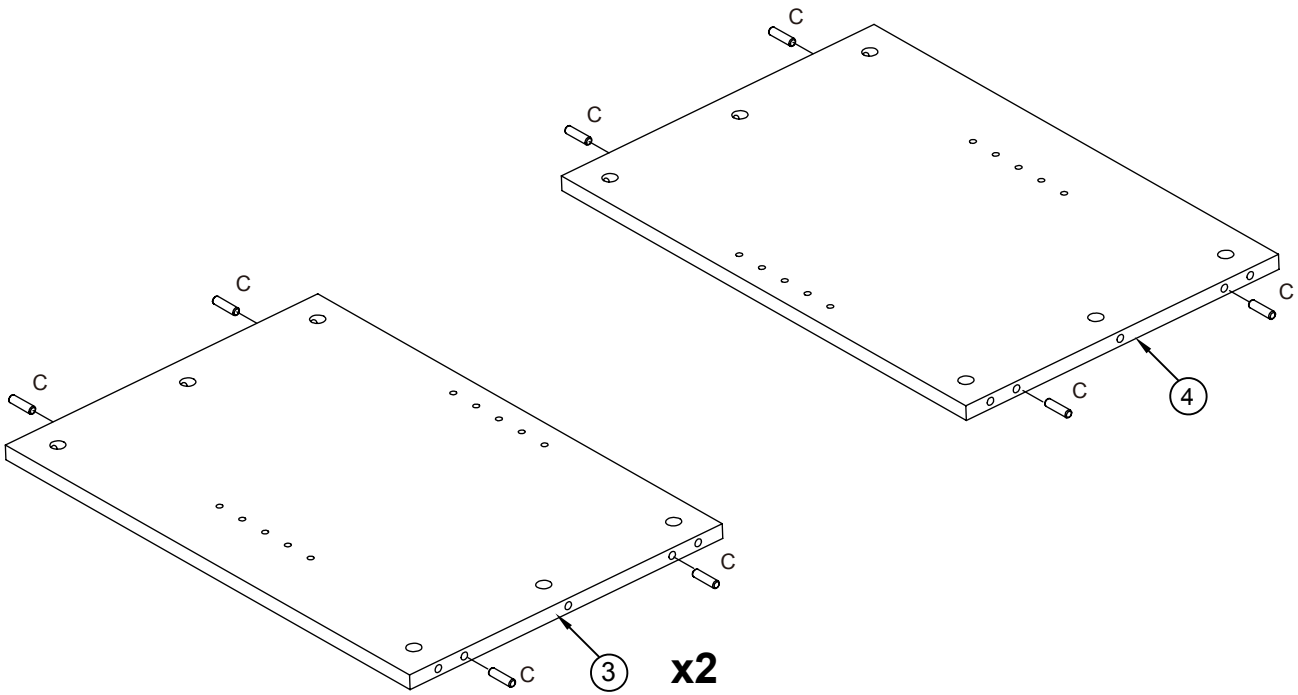
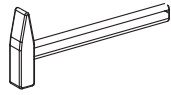
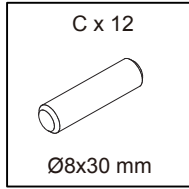
5



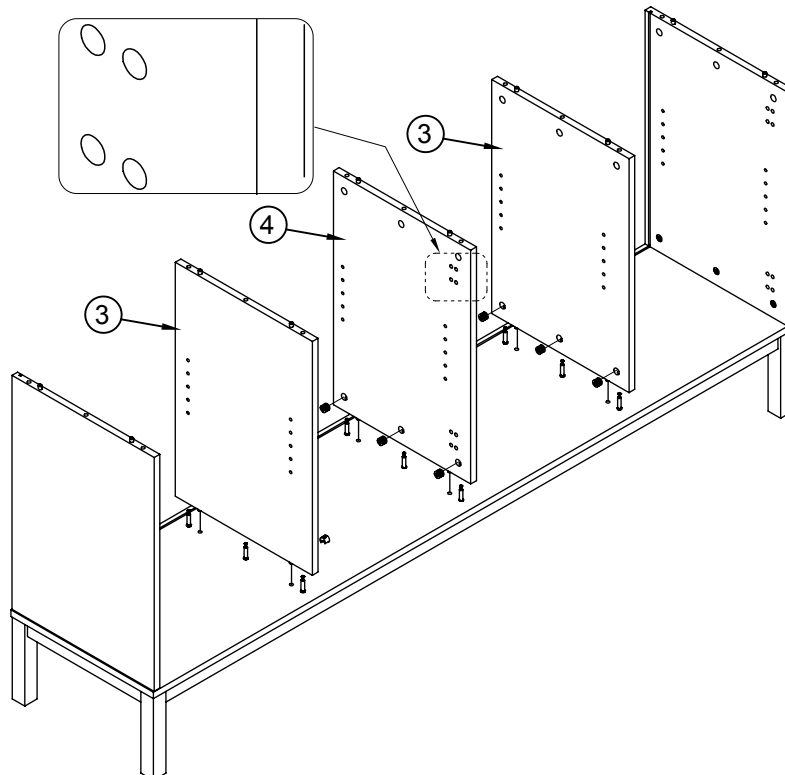
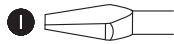
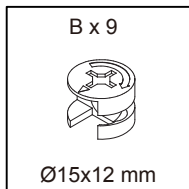
6



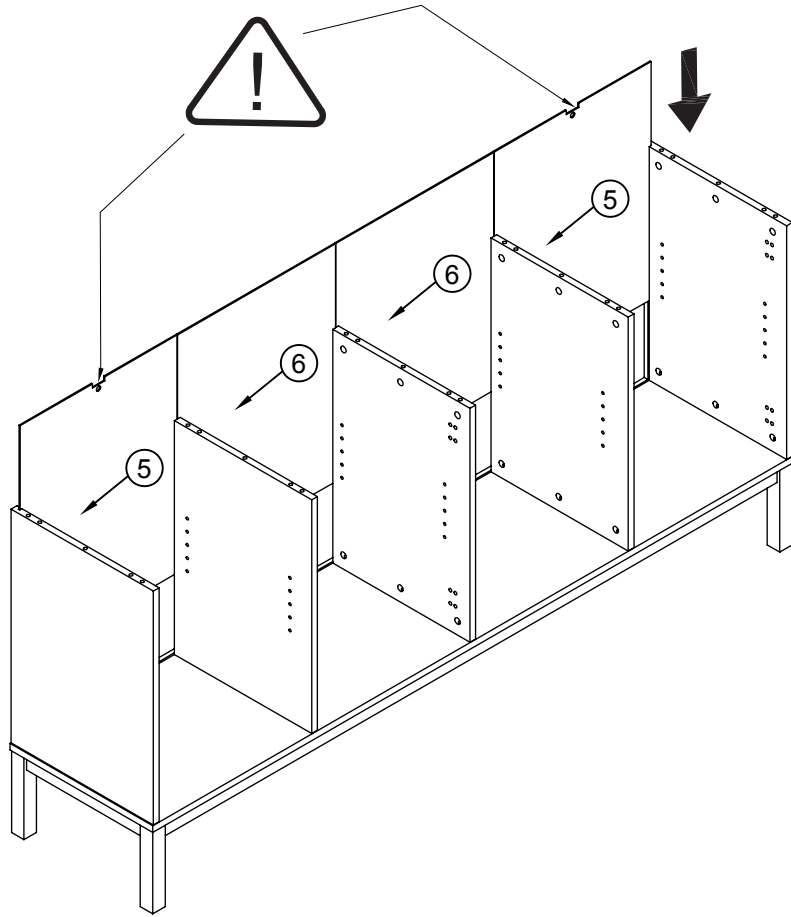
7



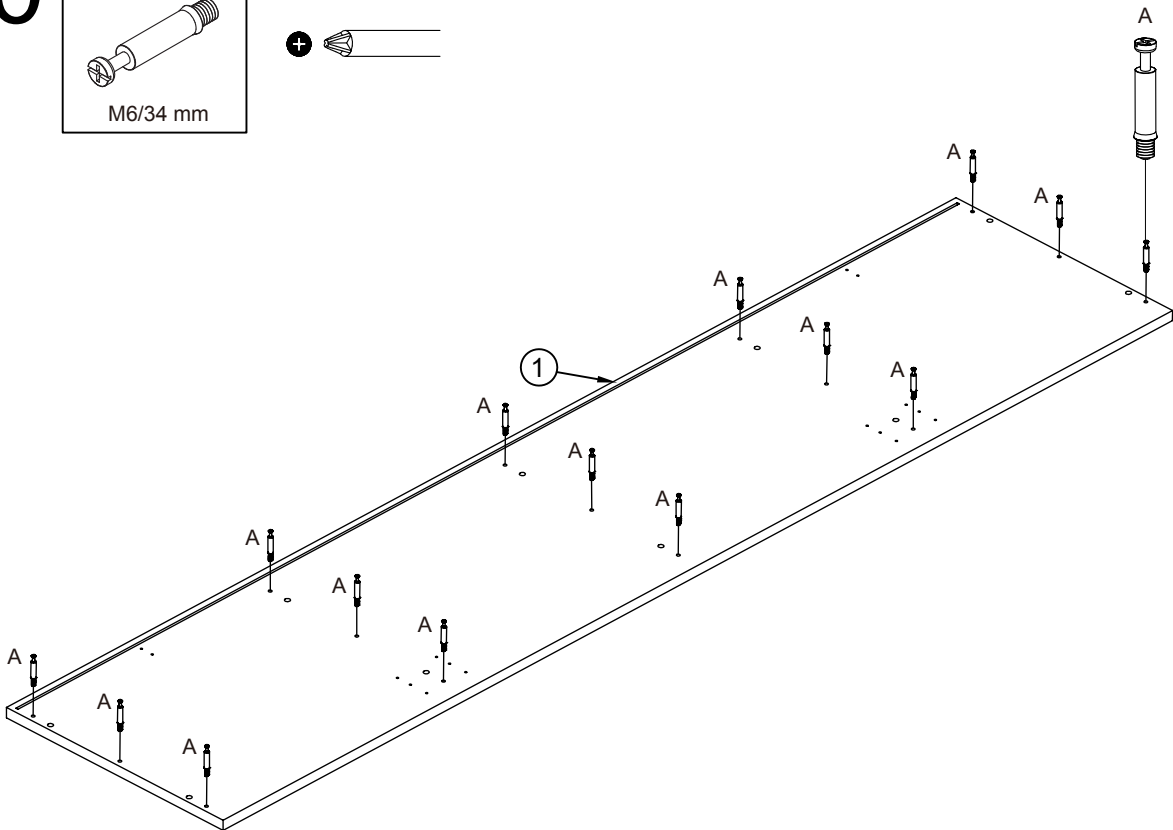
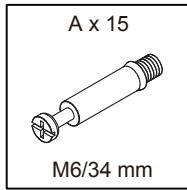
8






9

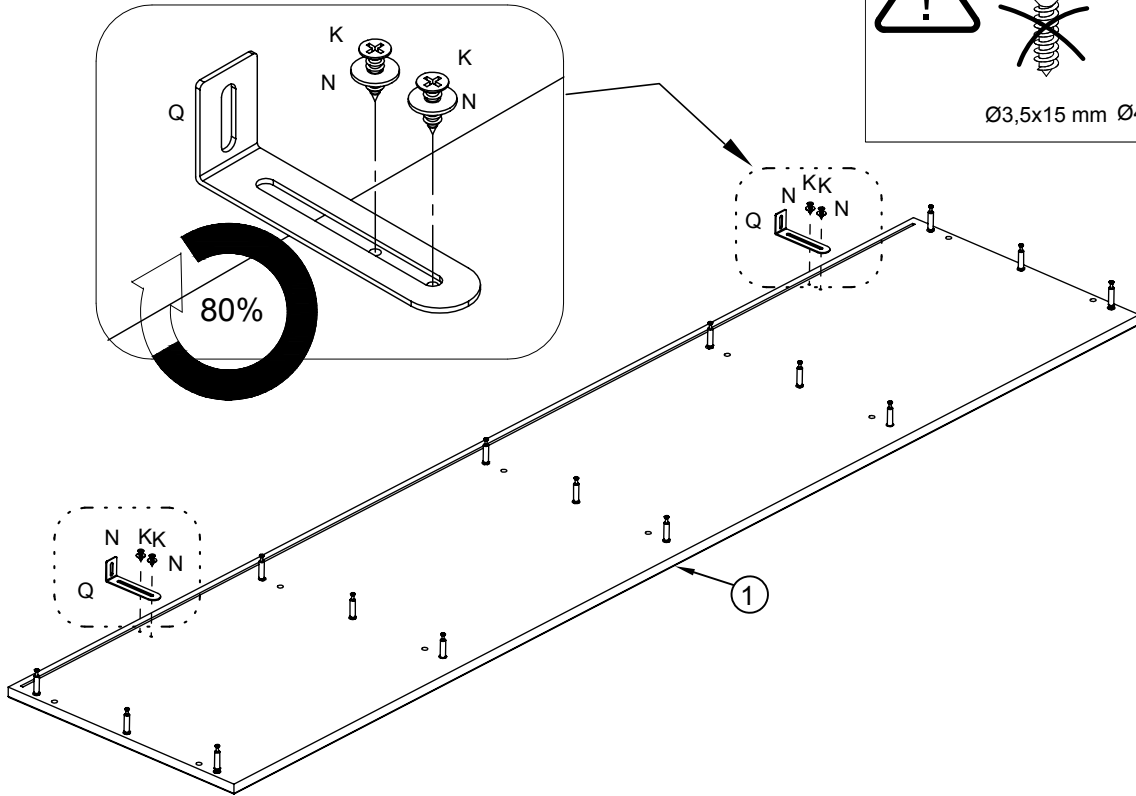
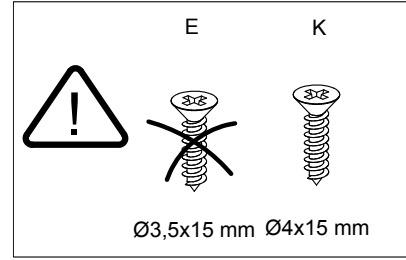
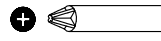


10

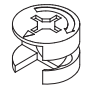


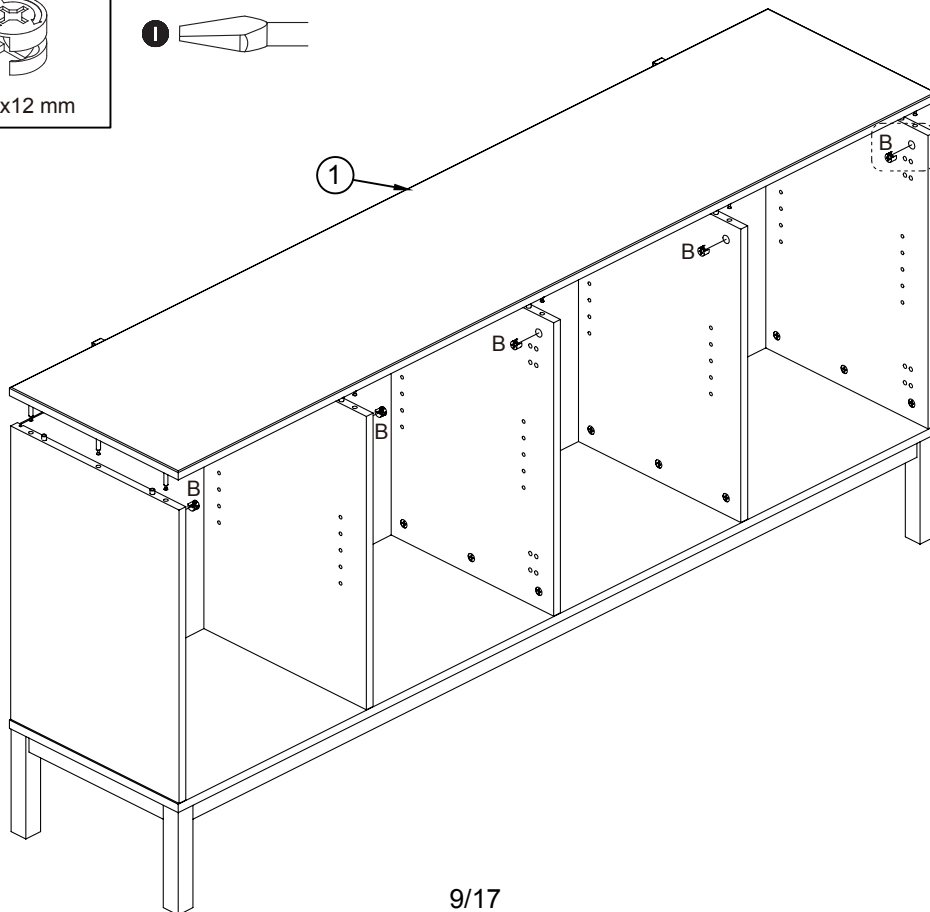
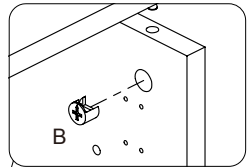
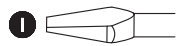
11

K x 4  Ø4x15mm	N x 4  Ø4/Ø12 mm	Q x 2  85x30x20 mm
-------------------------------------------------------------------------------------------------------	---------------------------------------------------------------------------------------------------------	-----------------------------------------------------------------------------------------------------------

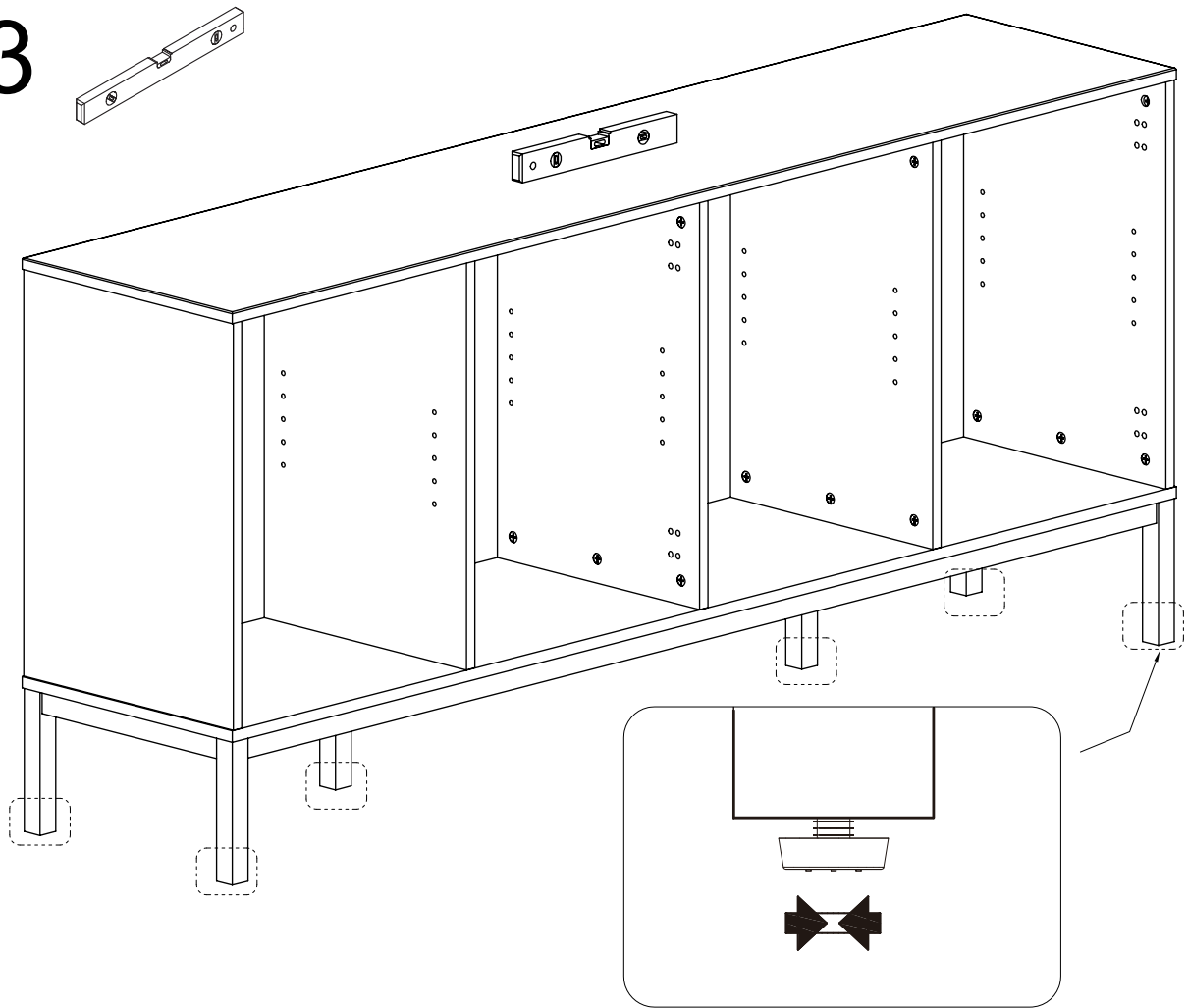


12




B x 15  Ø15x12 mm

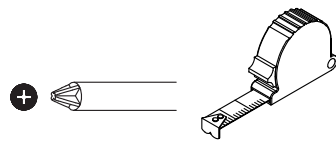


13

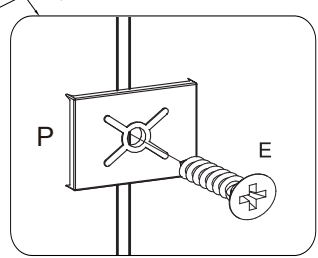
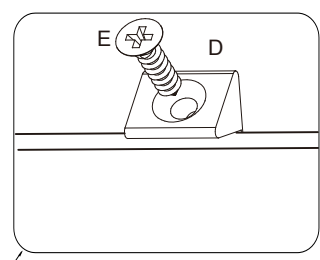
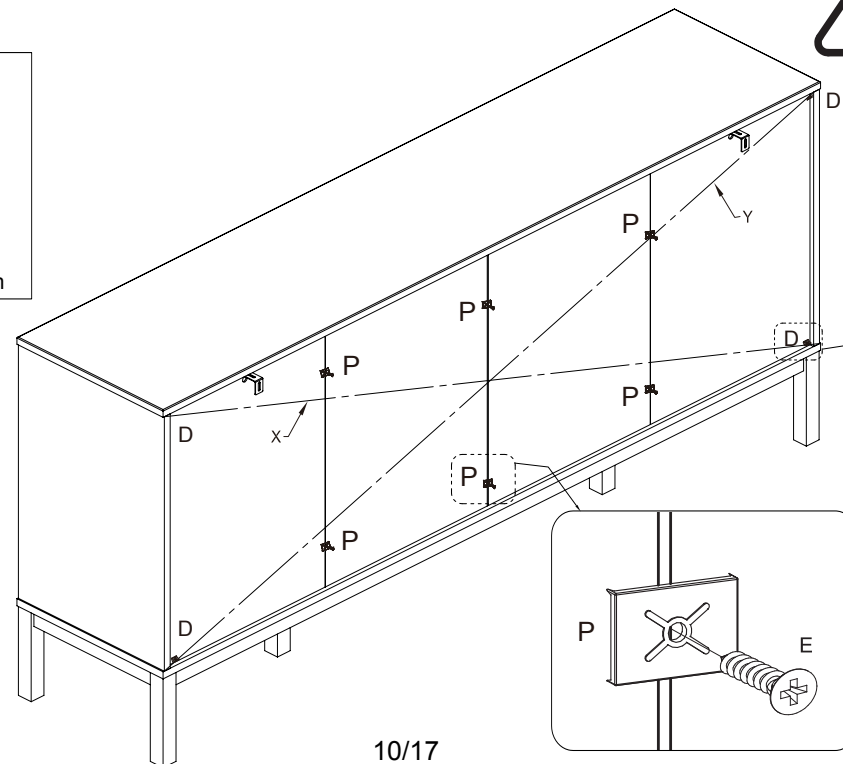
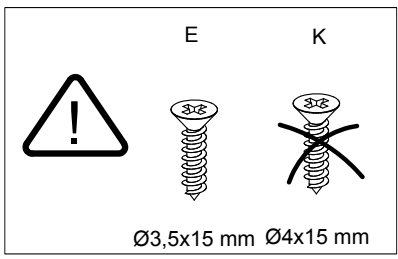


14

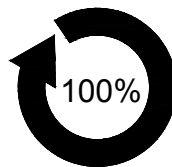
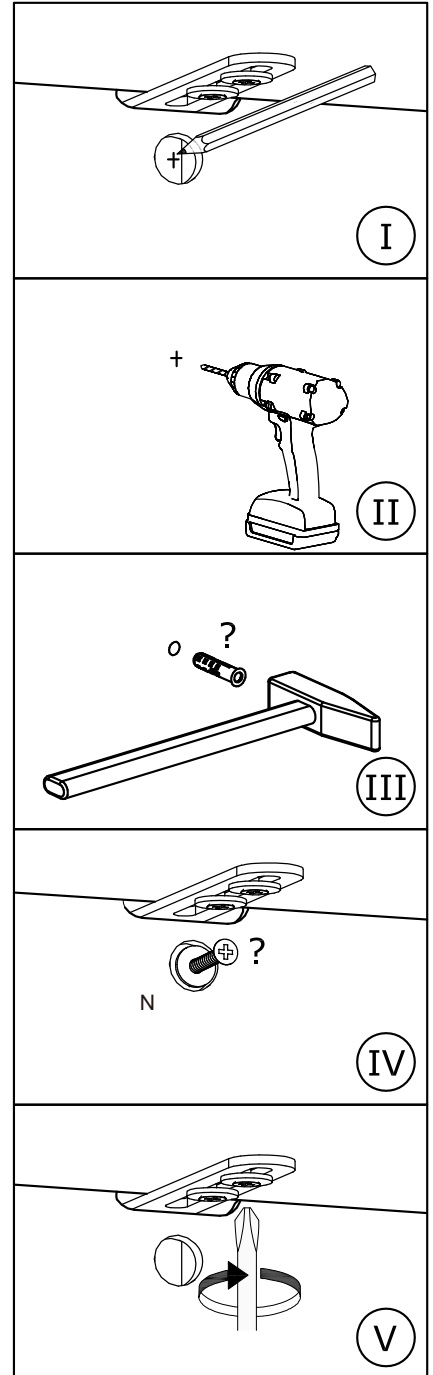
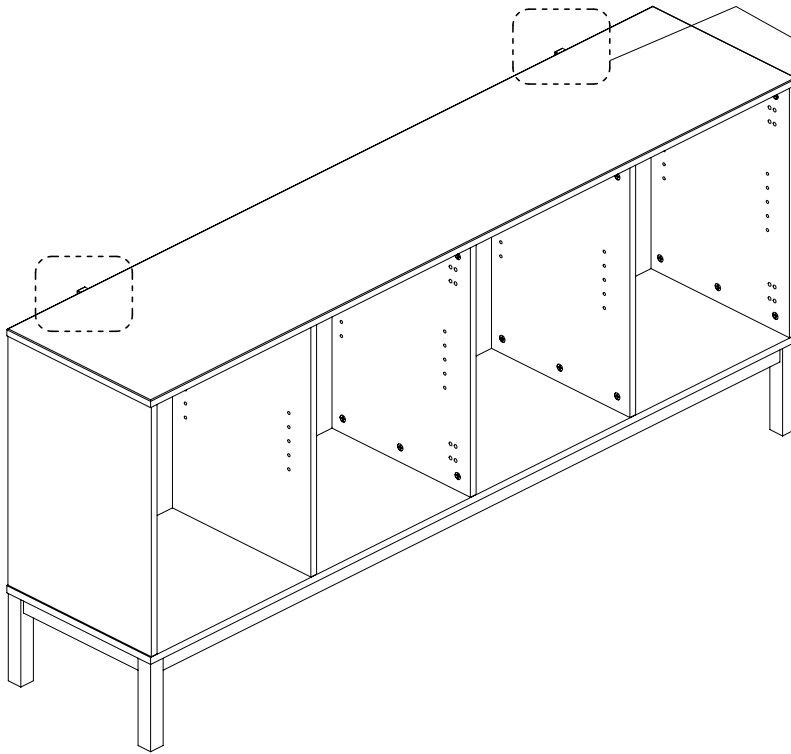
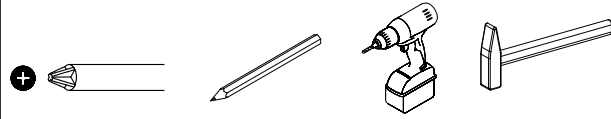
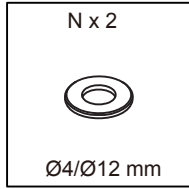
<p>D x 4</p>  <p>15x15 mm</p>	<p>E x 10</p>  <p>Ø3,5x15 mm</p>	<p>P x 6</p>  <p>20x14x3 mm</p>
------------------------------------------------------------------------------------------------------------------	---------------------------------------------------------------------------------------------------------------------	--------------------------------------------------------------------------------------------------------------------



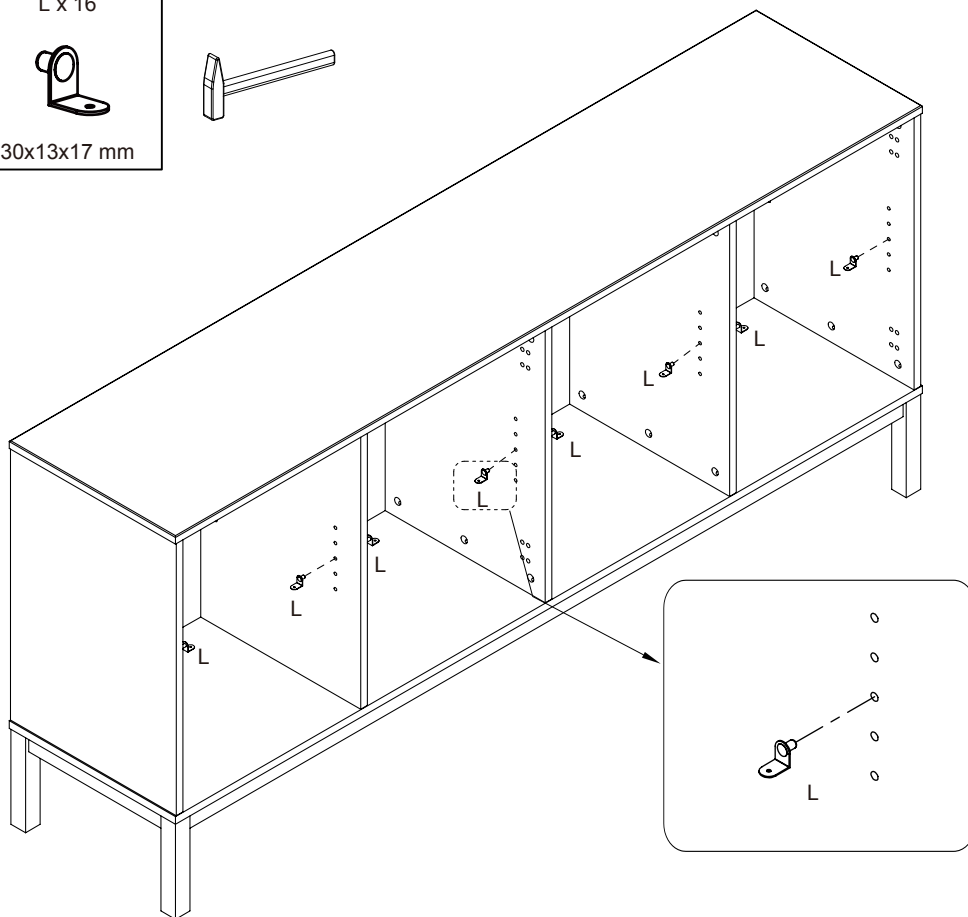
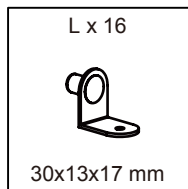
X=Y



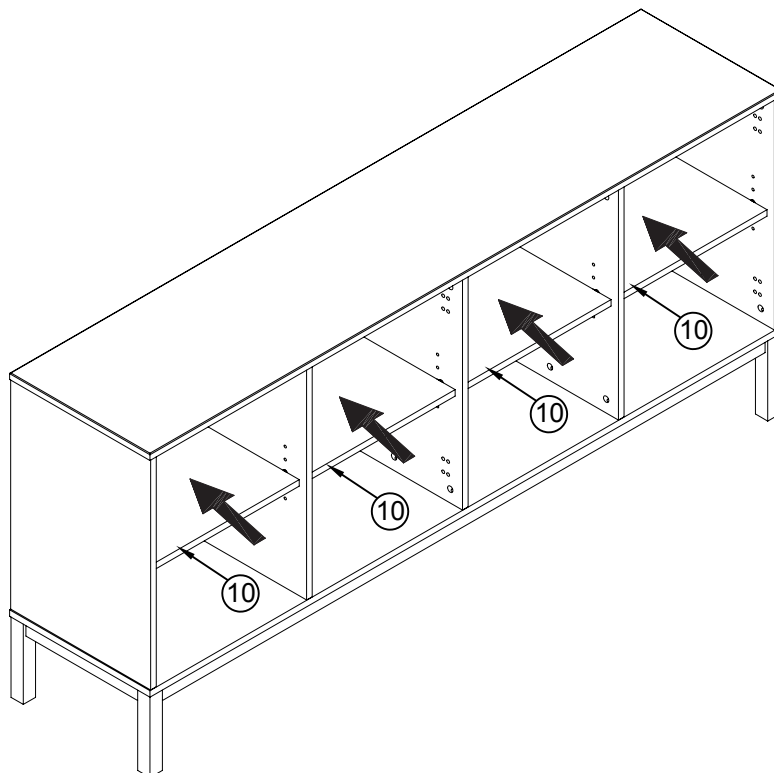
15



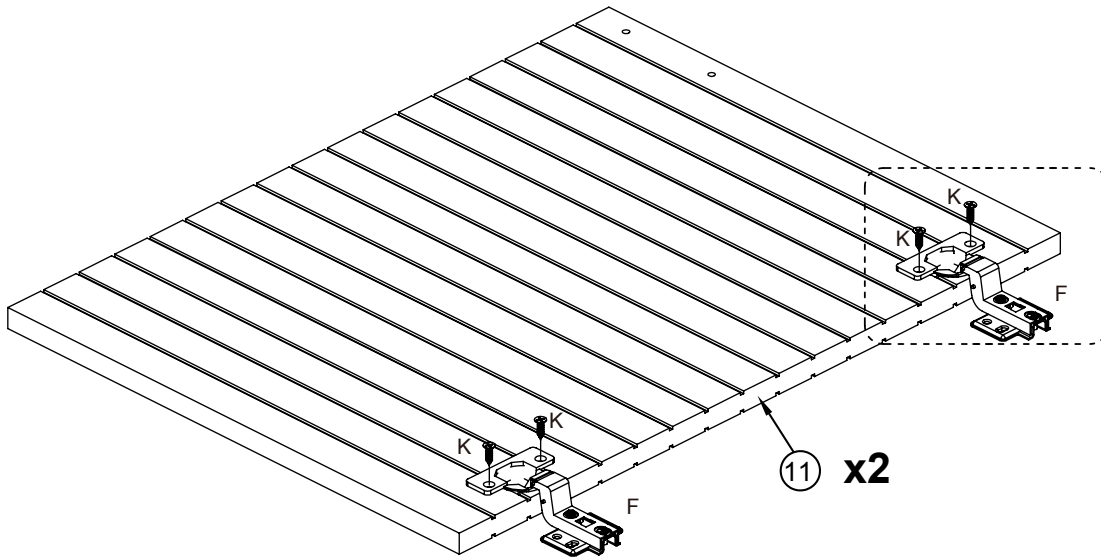
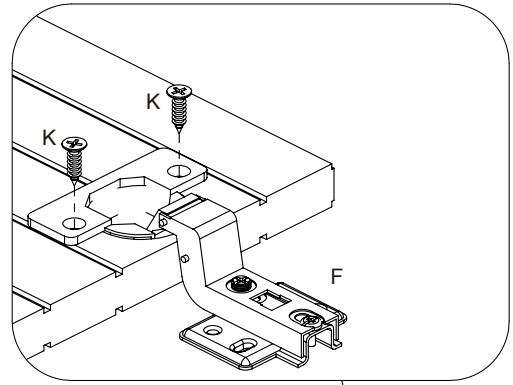
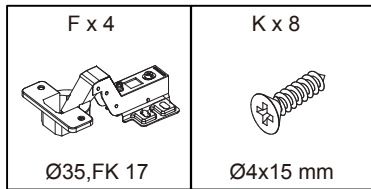
16



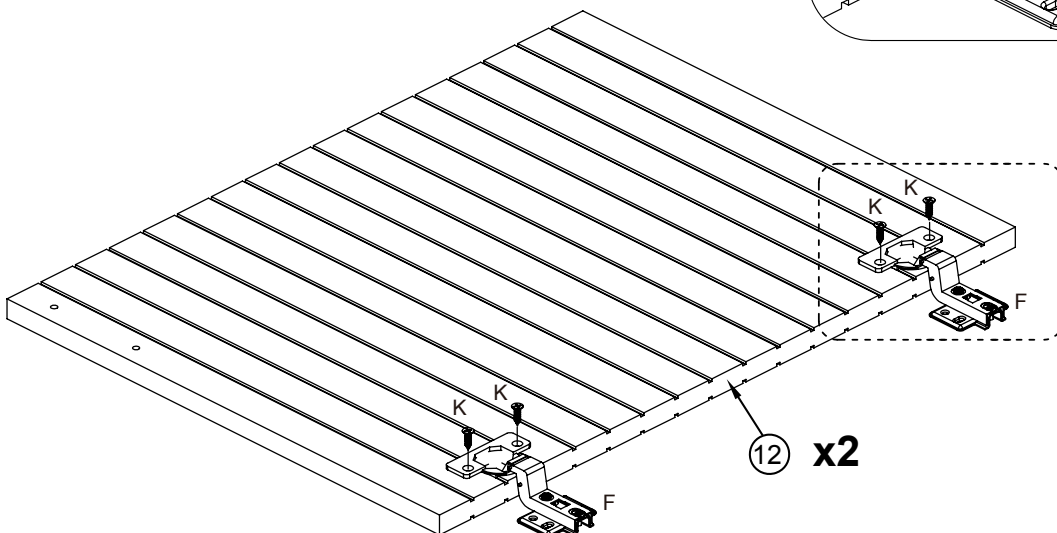
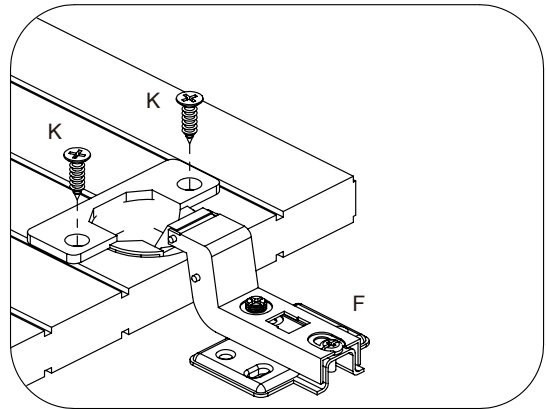
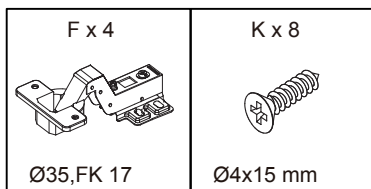
17



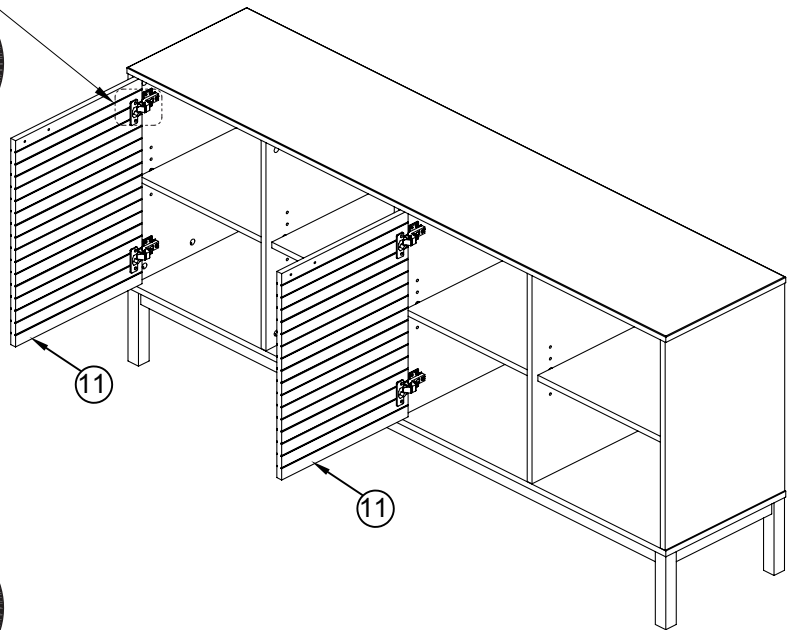
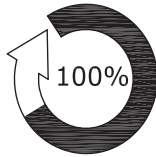
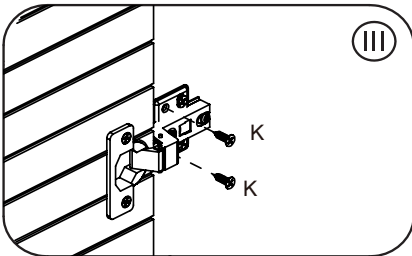
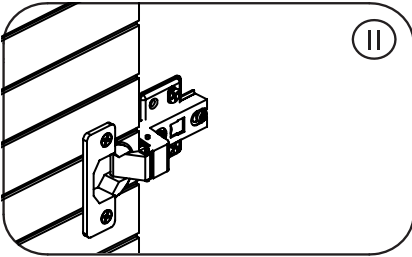
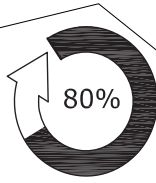
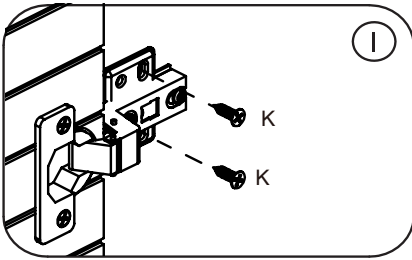
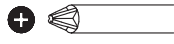
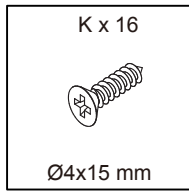
18



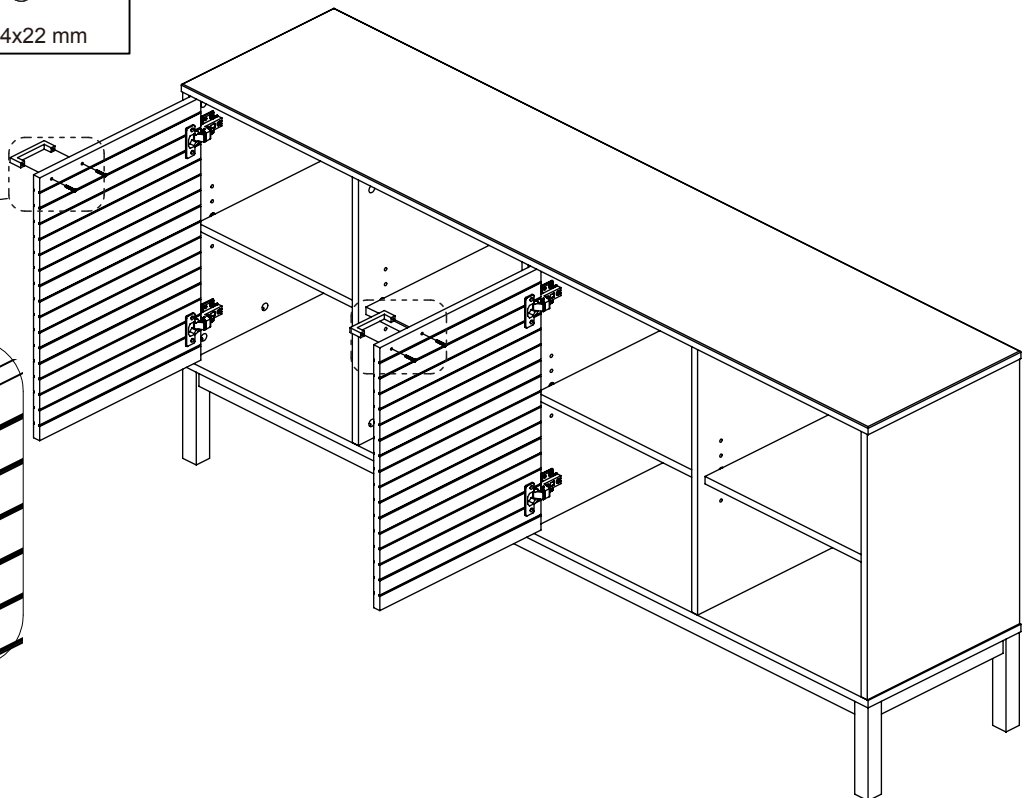
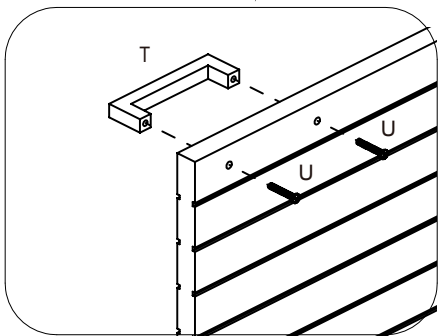
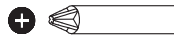
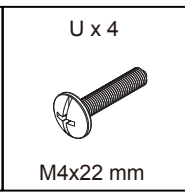
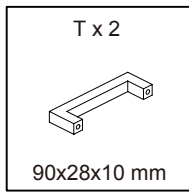
19



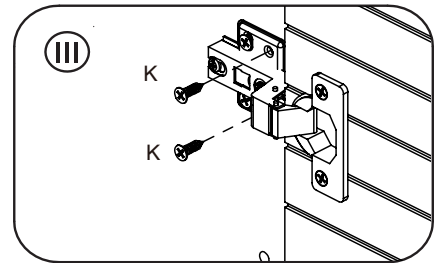
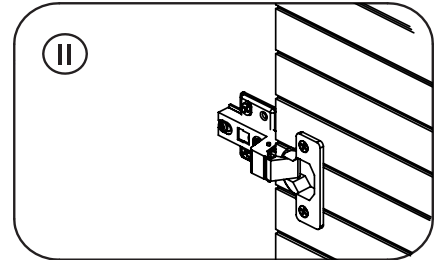
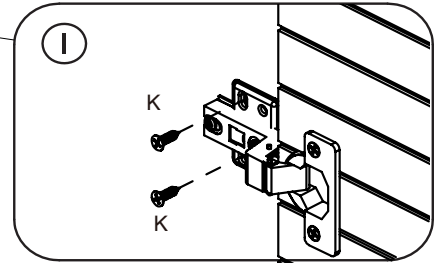
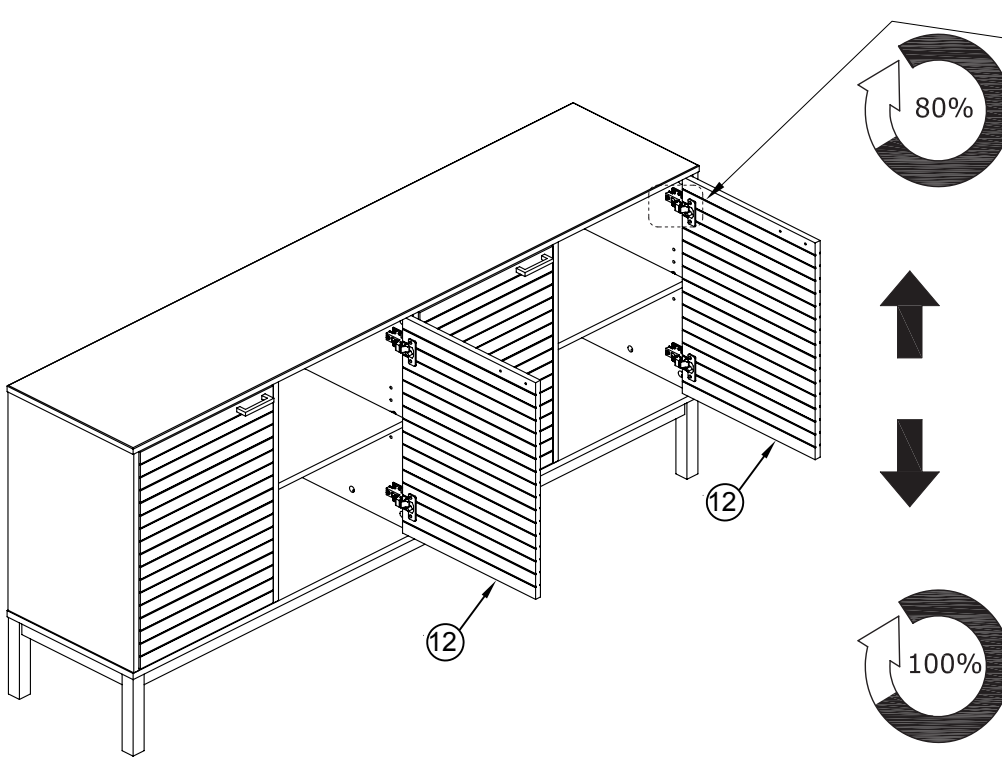
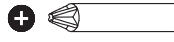
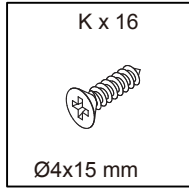
20



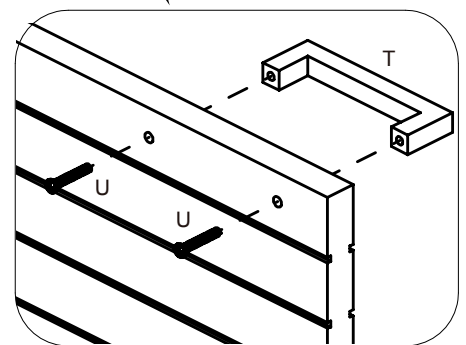
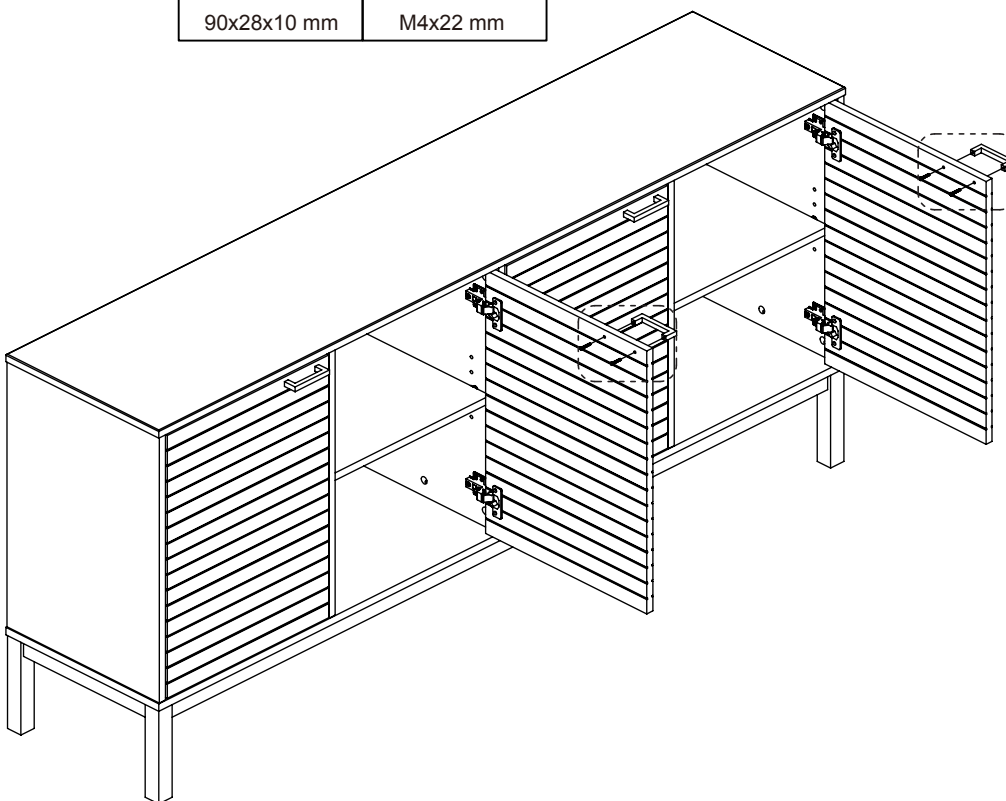
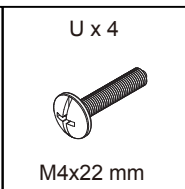
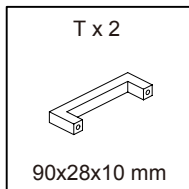
21



22



23



24

