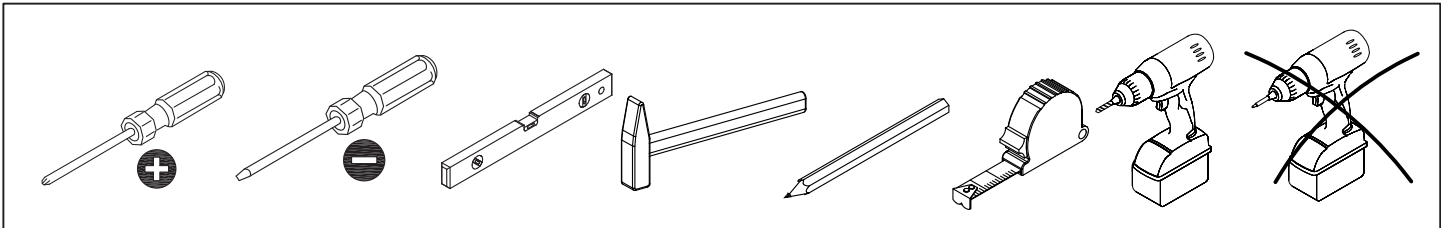
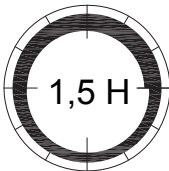
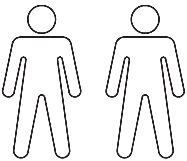
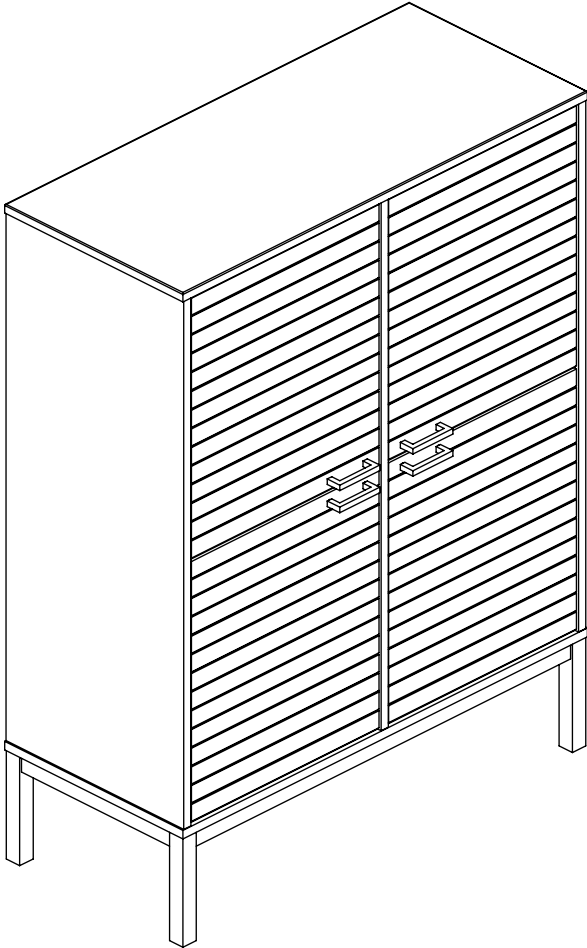
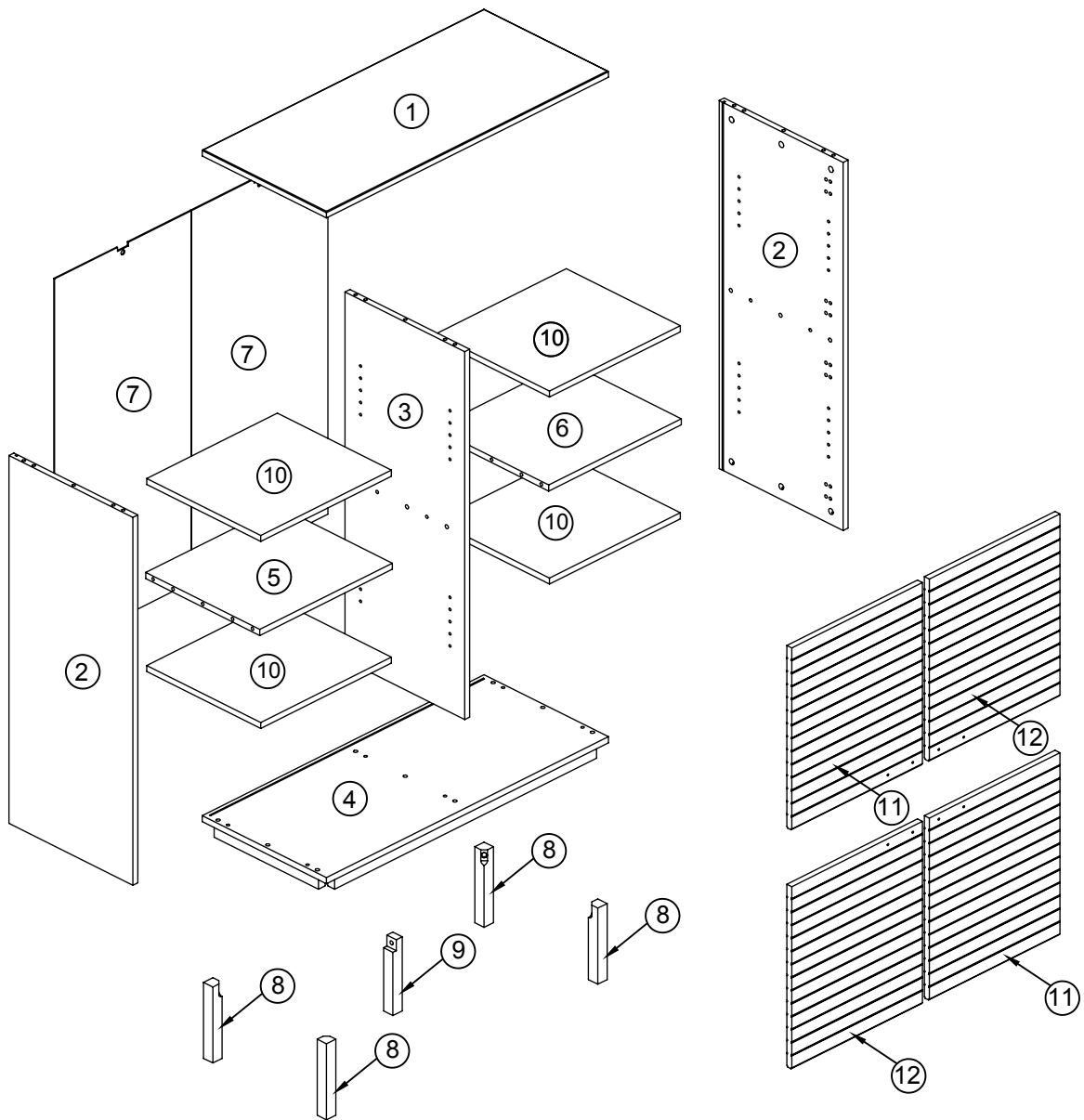


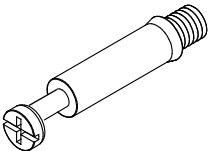
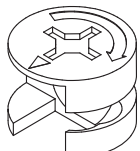
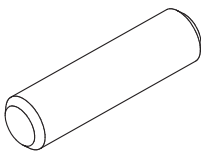
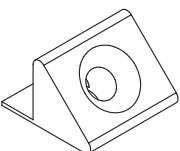
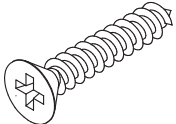
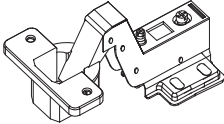
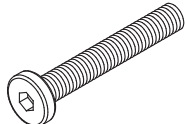
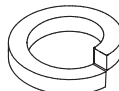
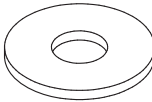
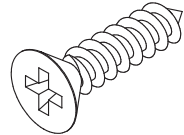
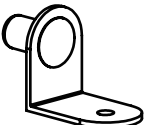
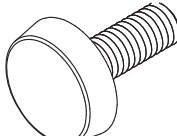

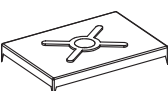
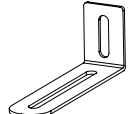
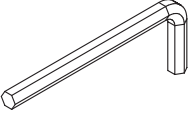
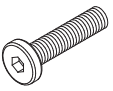
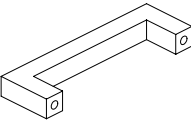
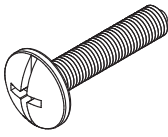
KENSINGTON



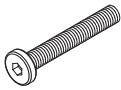
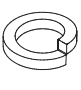
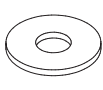
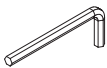
			✓
①	1	908x400x16	
②	2	968x399x16	
③	1	968x385x16	
④	1	908x400x16	
⑤	1	427x367x16	
⑥	1	427x367x16	

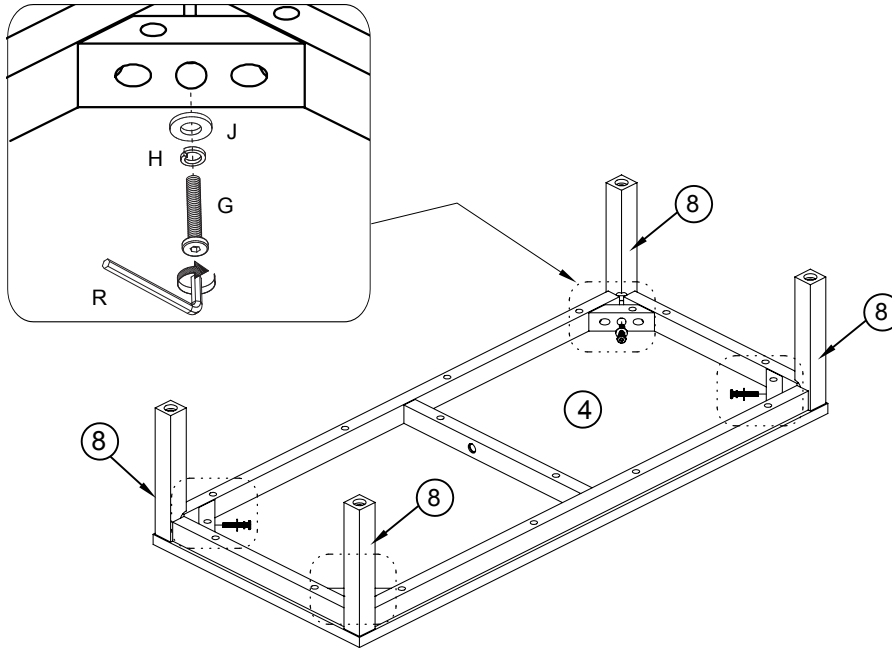
			✓
⑦	2	978x440x3	
⑧	4	200x30x30	
⑨	1	195x30x30	
⑩	4	421x367x16	
⑪	2	421x480x16	
⑫	2	421x480x16	



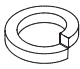

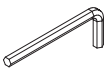

<p>A x 30</p>  <p>M6/34 mm</p>	<p>B x 30</p>  <p>Ø15x12 mm</p>	<p>C x 20</p>  <p>Ø8x30 mm</p>	<p>D x 6</p>  <p>15x15 mm</p>	<p>E x 8</p>  <p>Ø3,5x15 mm</p>
<p>F x 8</p>  <p>Ø35,FK 17</p>	<p>G x 4</p>  <p>M8x60 mm</p>	<p>H x 5</p>  <p>Ø8 mm</p>	<p>J x 5</p>  <p>Ø8/Ø16 mm</p>	<p>K x 52</p>  <p>Ø4x15 mm</p>
<p>L x 16</p>  <p>30 x 13 x 17 mm</p>	<p>M x 5</p>  <p>M6/Ø15x20/6 mm</p>	<p>N x 6</p>  <p>Ø4/Ø12 mm</p>	<p>P x 2</p>  <p>20x14x3 mm</p>	<p>Q x 2</p>  <p>85x30x20 mm</p>
<p>R x 1</p>  <p>4 mm</p>	<p>S x 1</p>  <p>M8x35 mm</p>	<p>T x 4</p>  <p>90x28x10 mm</p>	<p>U x 8</p>  <p>M4x22 mm</p>	

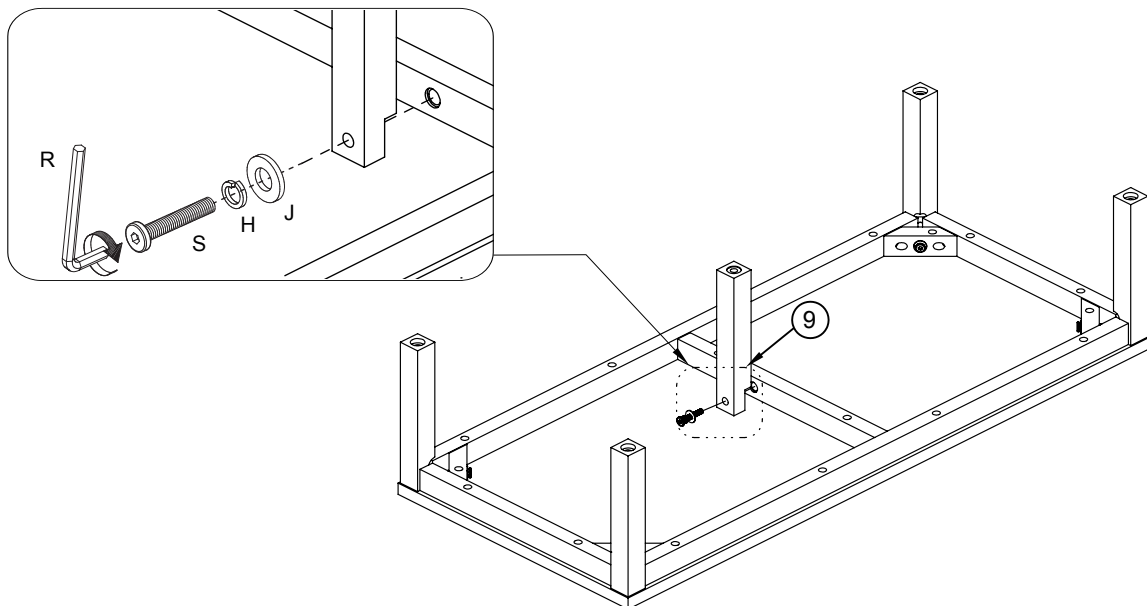
1

G x 4  M8x60 mm	H x 4  Ø8 mm	J x 4  Ø8/Ø16 mm	R x 1  5 mm
--	---	---	--

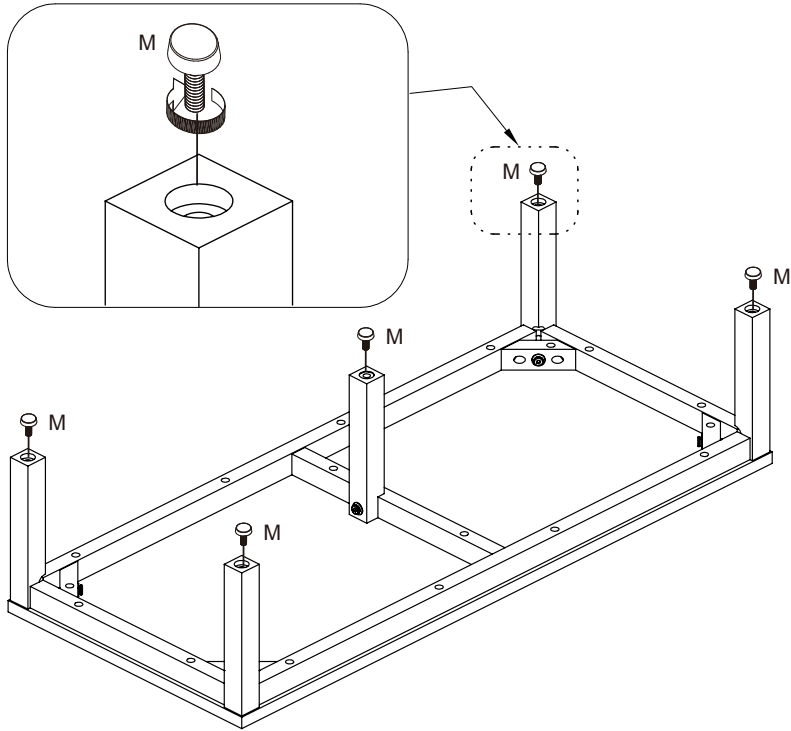
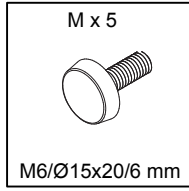


2

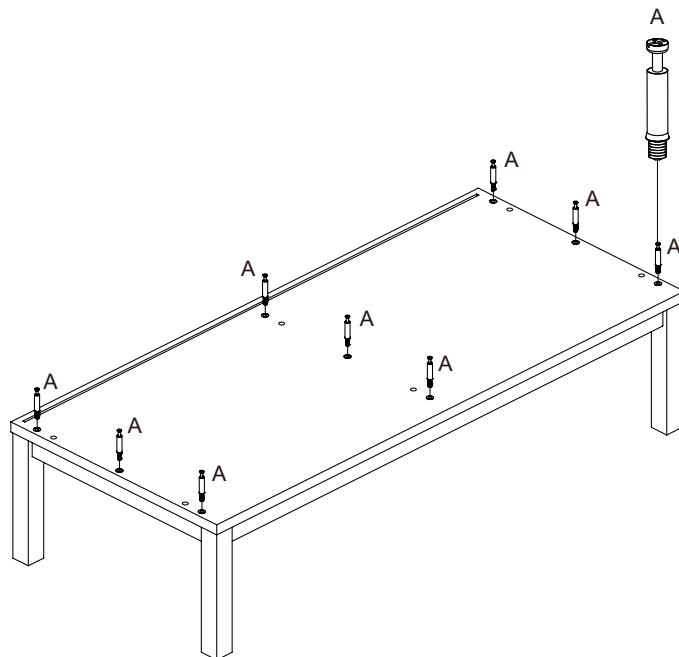
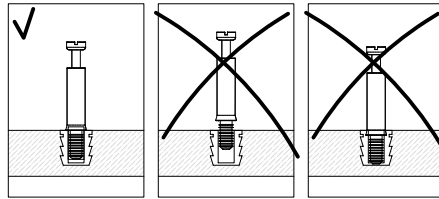
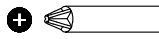
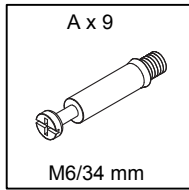
H x 1  Ø8 mm	J x 1  Ø8/Ø16 mm	R x 1  5 mm	S x 1  M8x35 mm
---	---	--	--



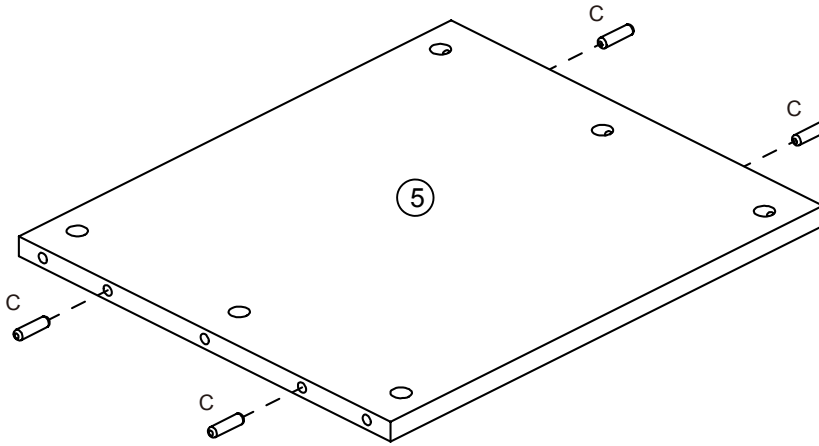
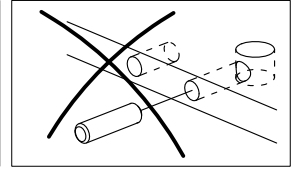
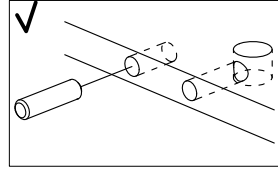
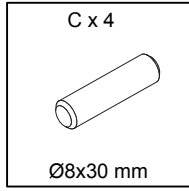
3



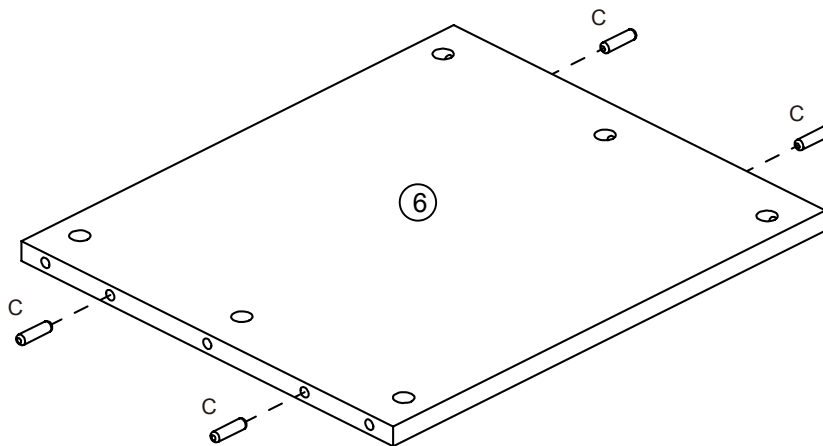
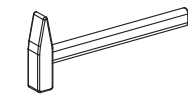
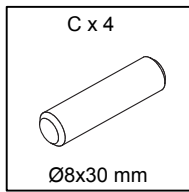
4



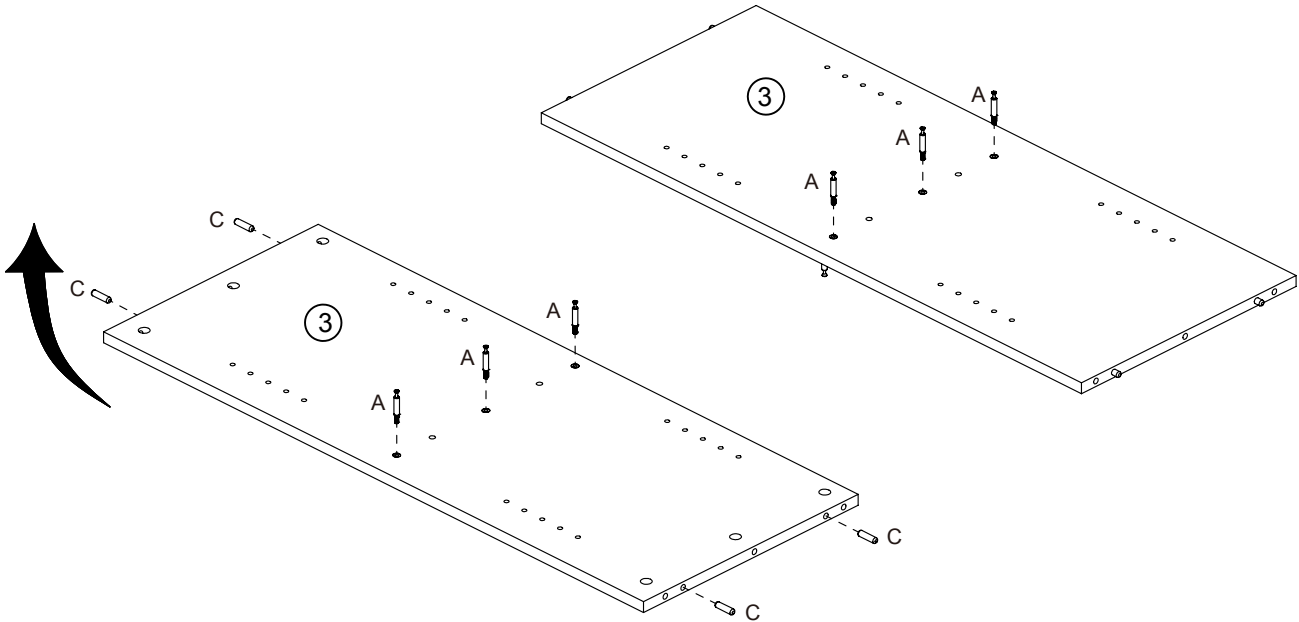
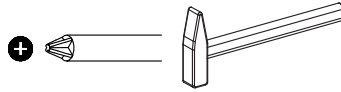
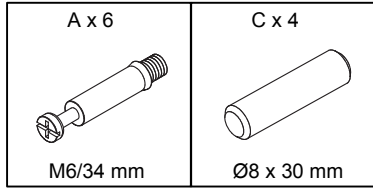
5



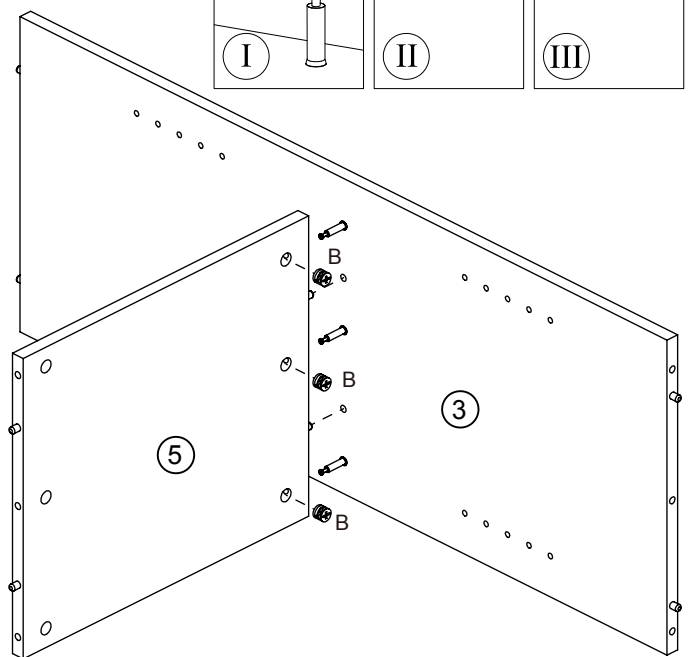
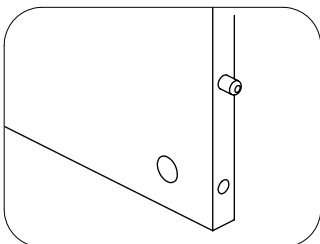
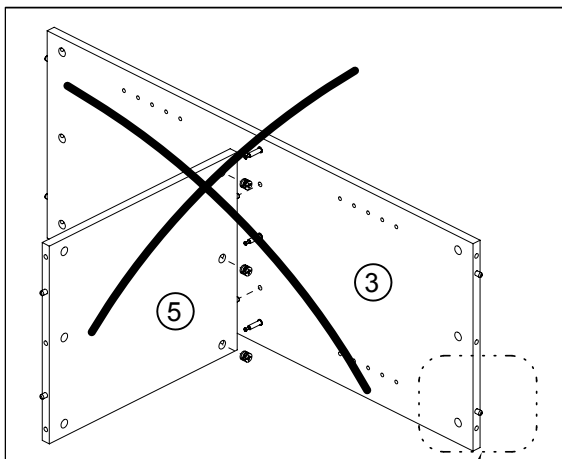
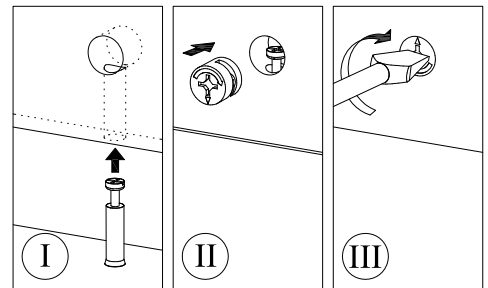
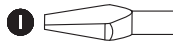
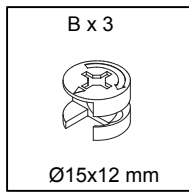
6



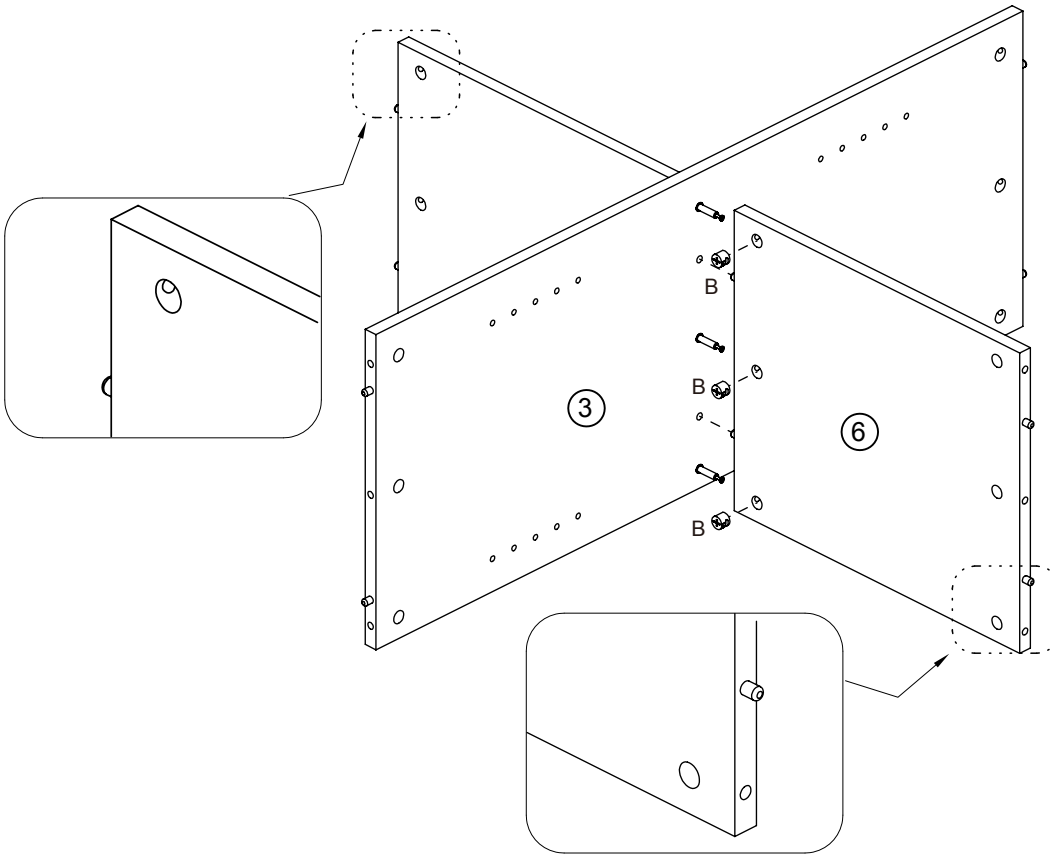
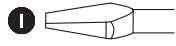
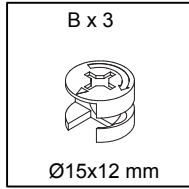
7



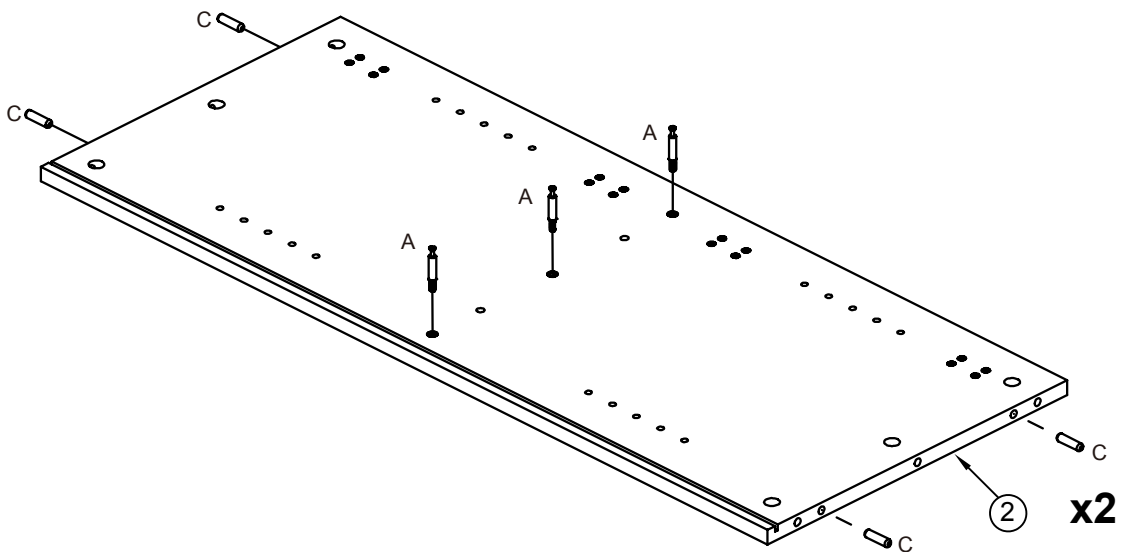
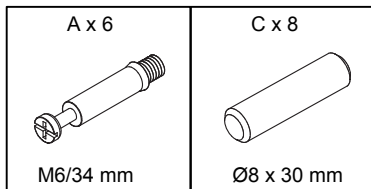
8



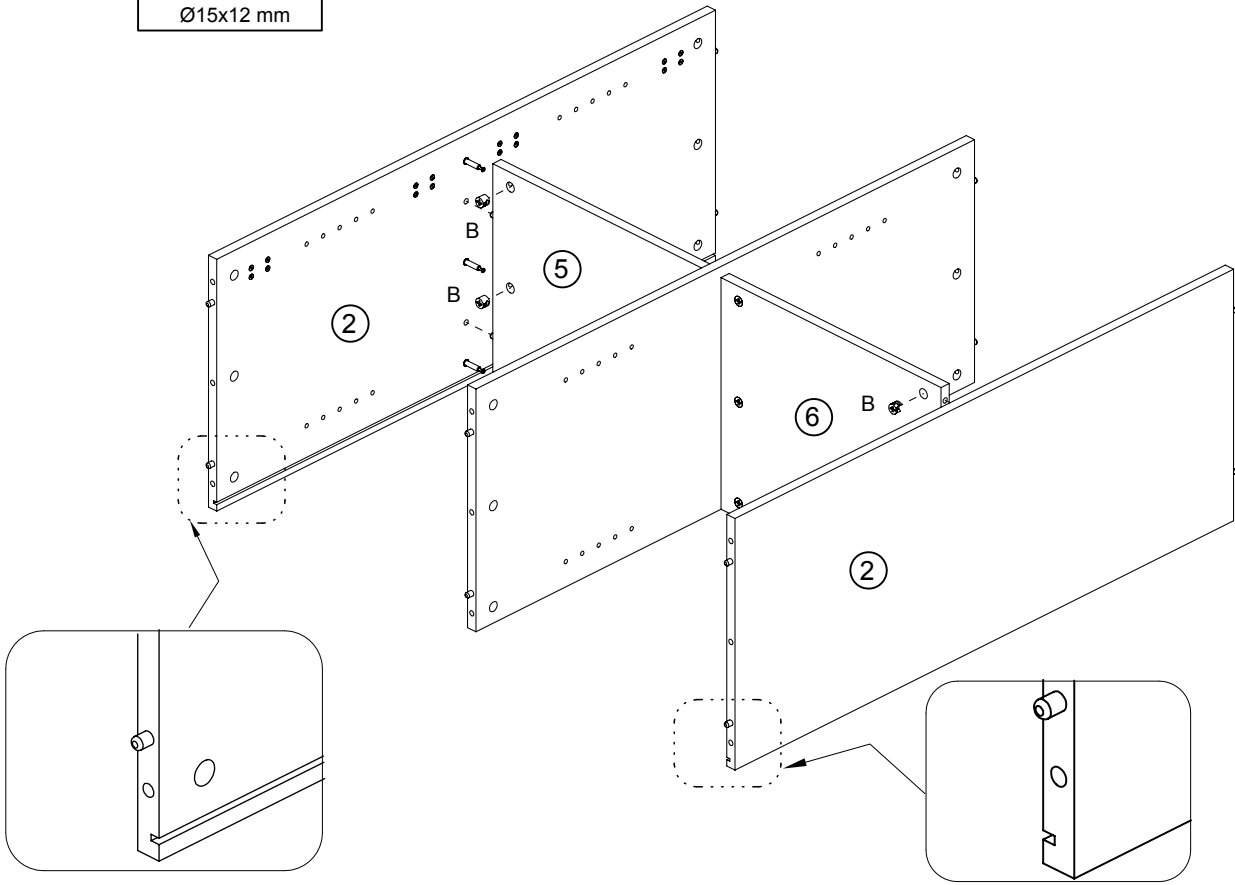
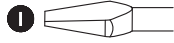
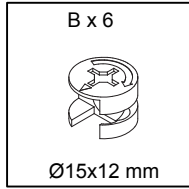
9



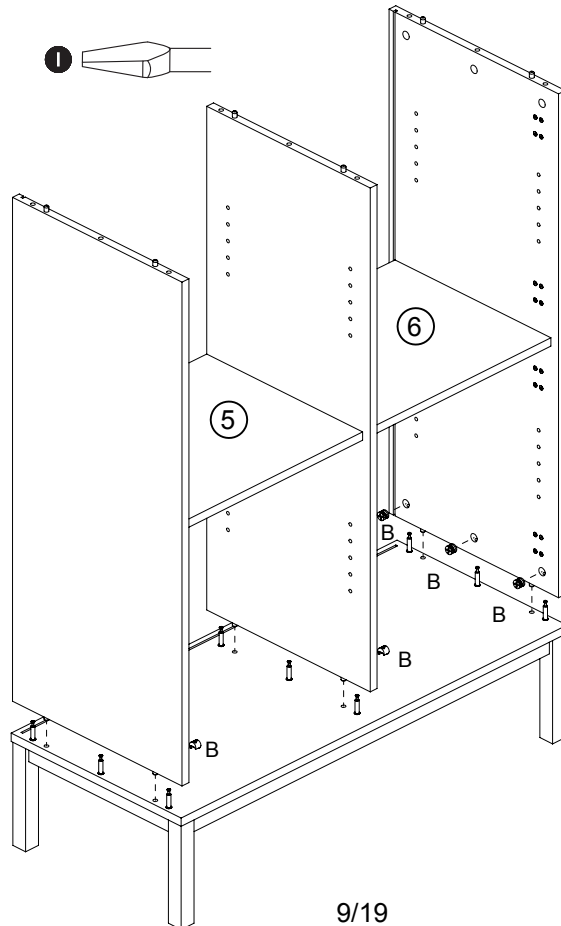
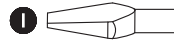
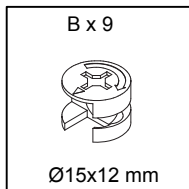
10



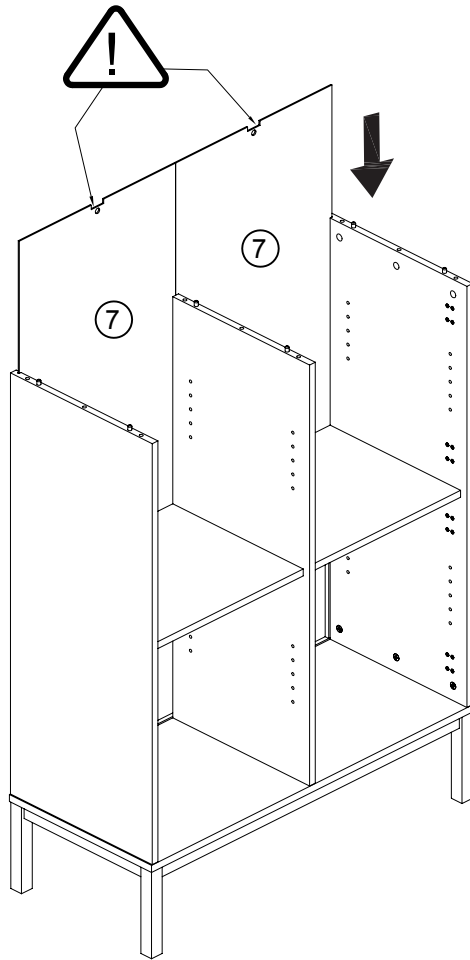
11



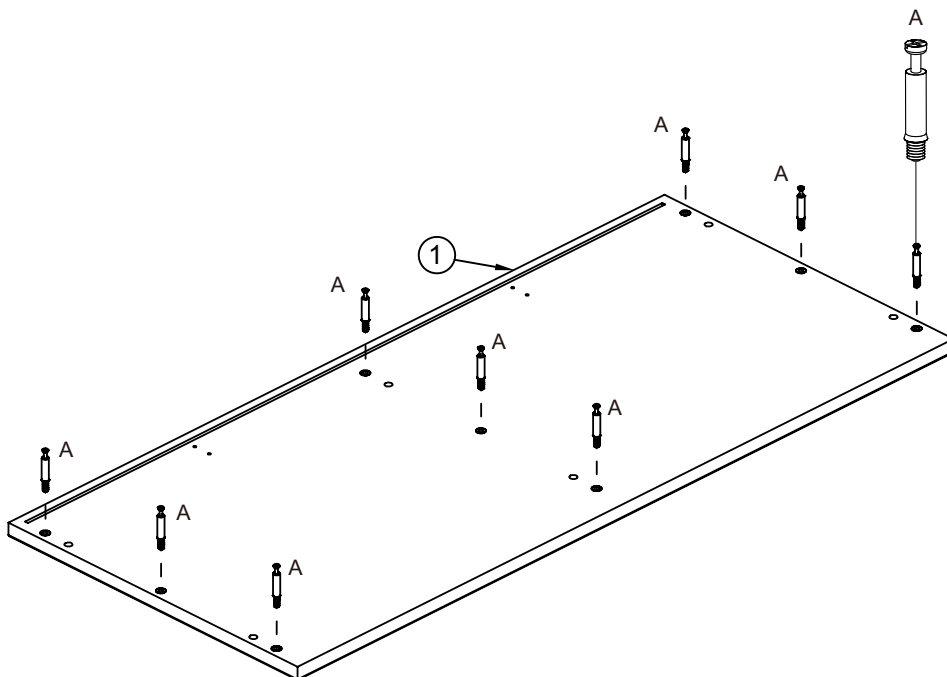
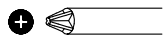
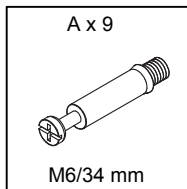
12






13

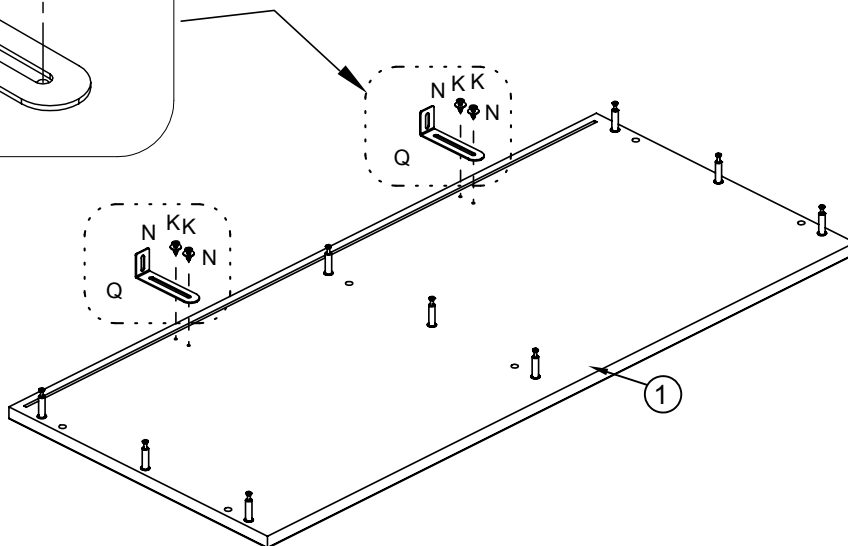
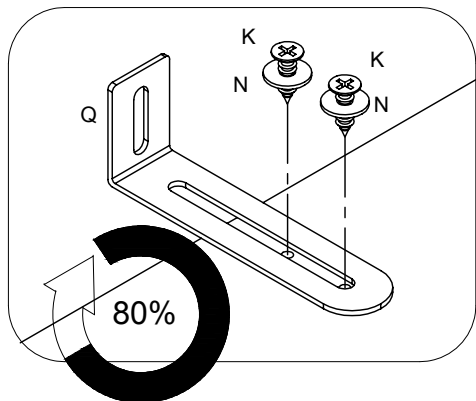
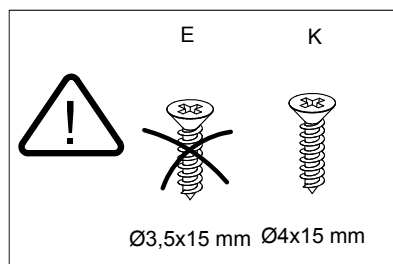
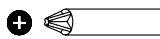


14




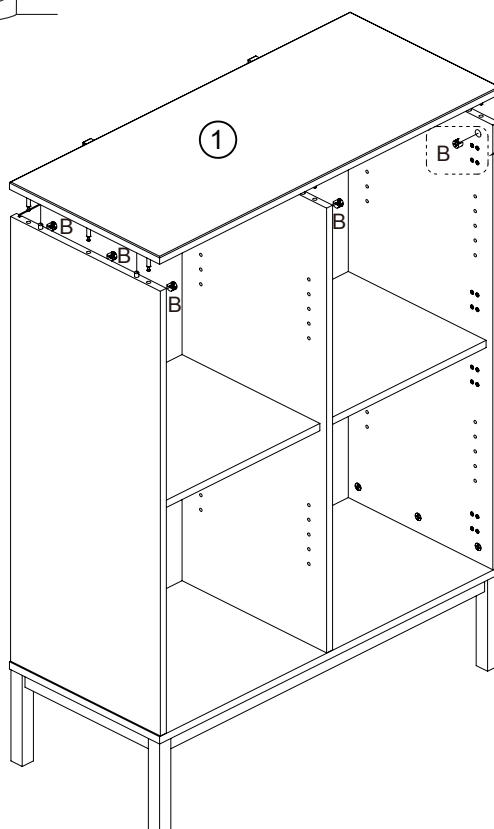
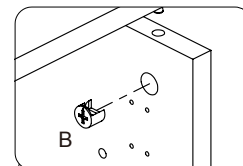
15

K x 4  Ø4x15mm	N x 4  Ø4/Ø12 mm	Q x 2  85x30x20 mm
---	---	---

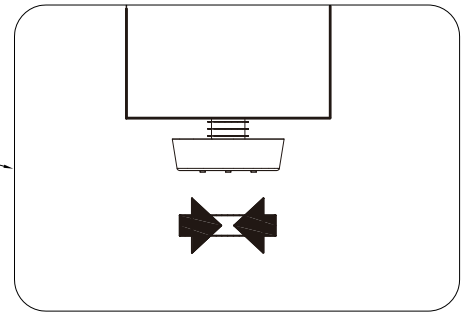
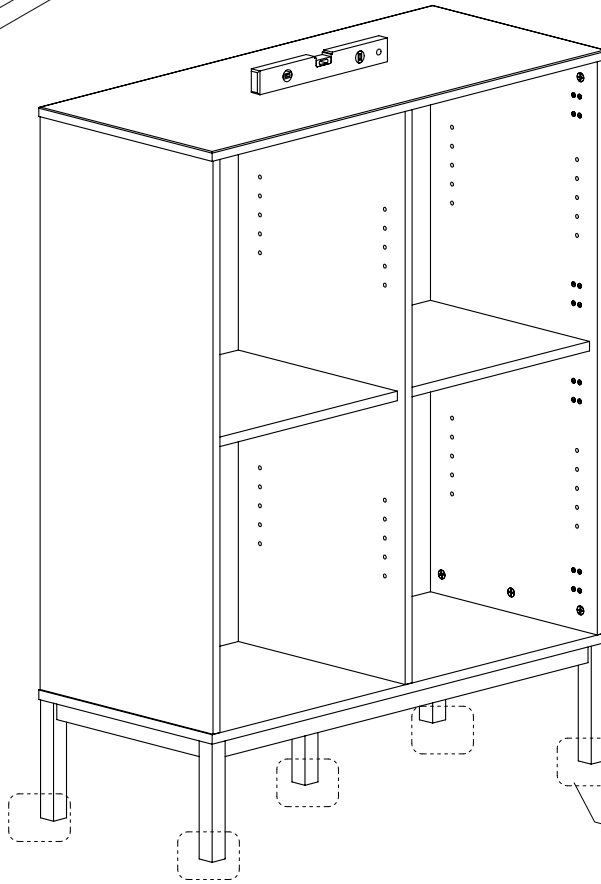
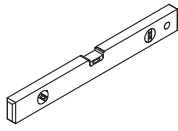


16

B x 9  Ø15x12 mm

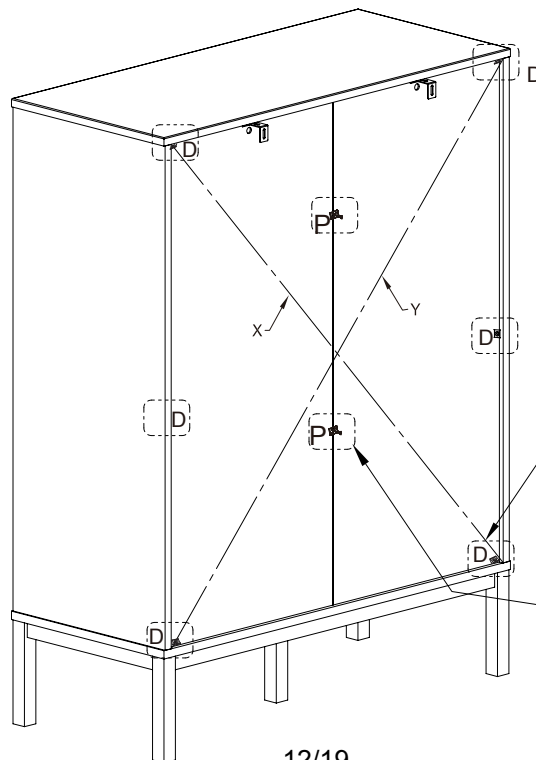
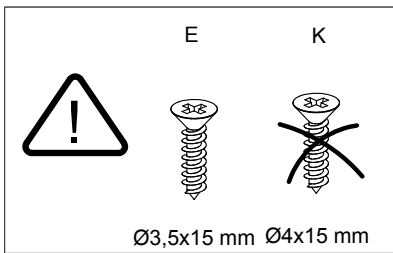
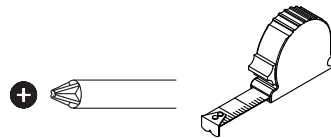


17

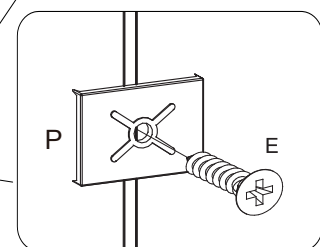
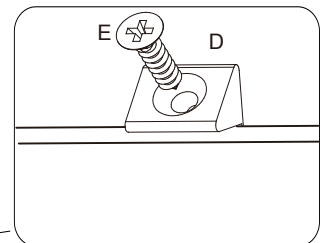


18

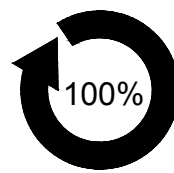
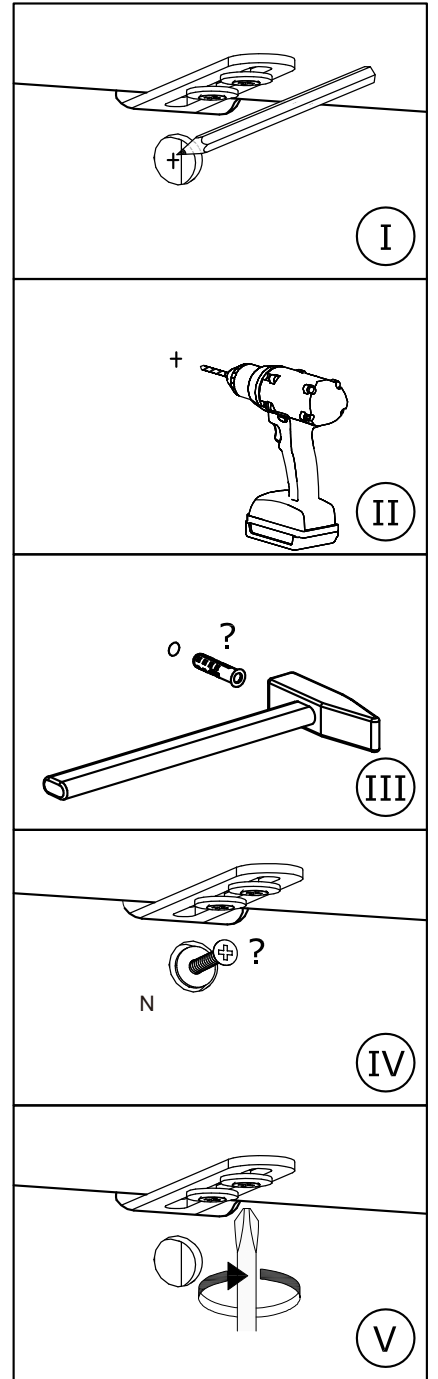
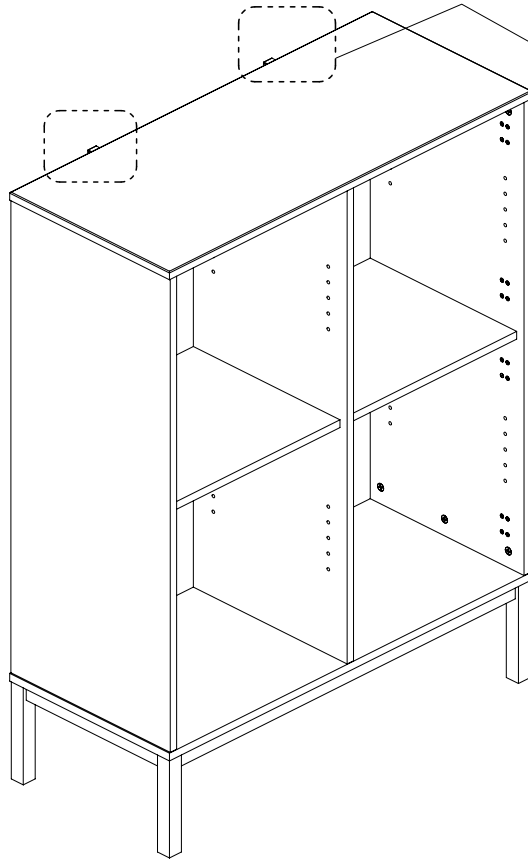
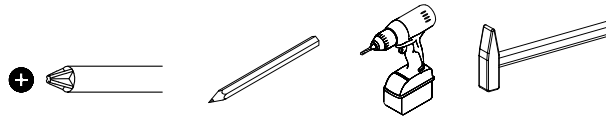
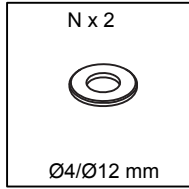
D x 6 15x15 mm	E x 8 Ø3,5x15 mm	P x 2 20x14x3 mm
-----------------------	-------------------------	-------------------------



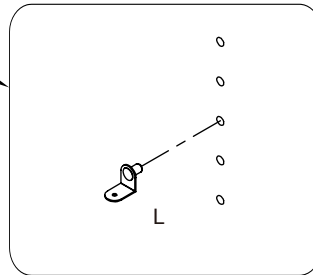
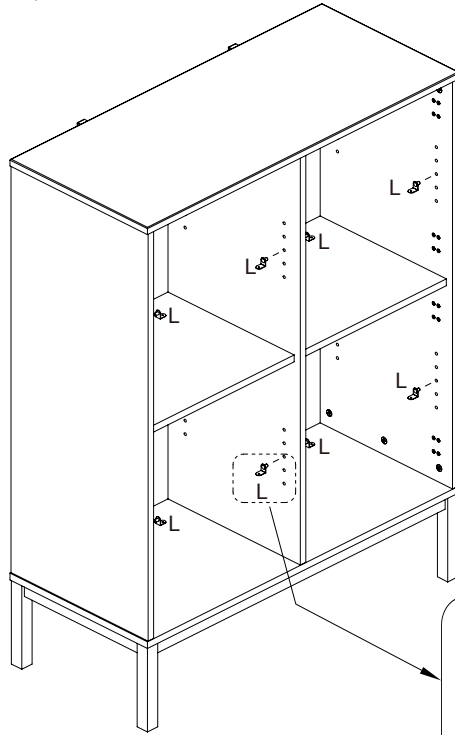
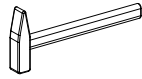
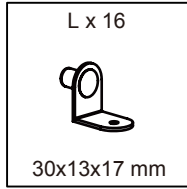
X=Y



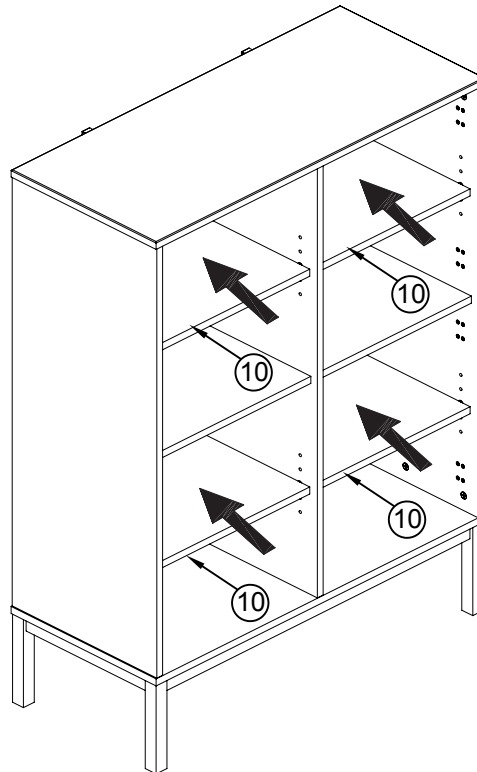
19



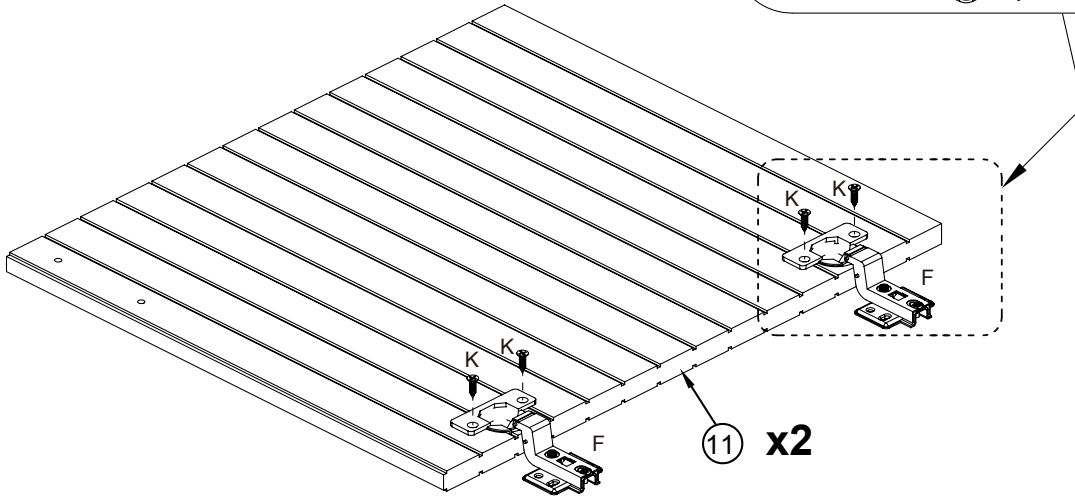
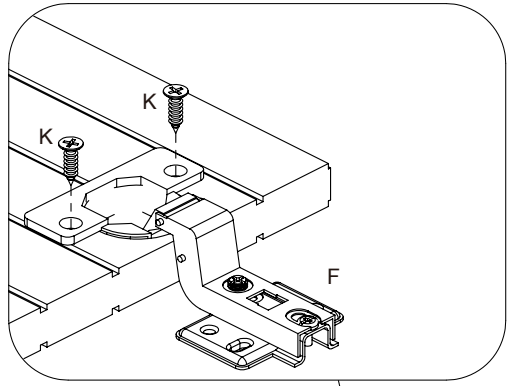
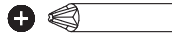
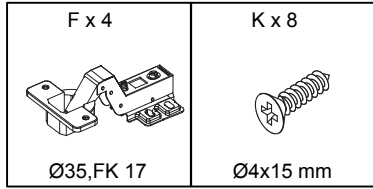
20



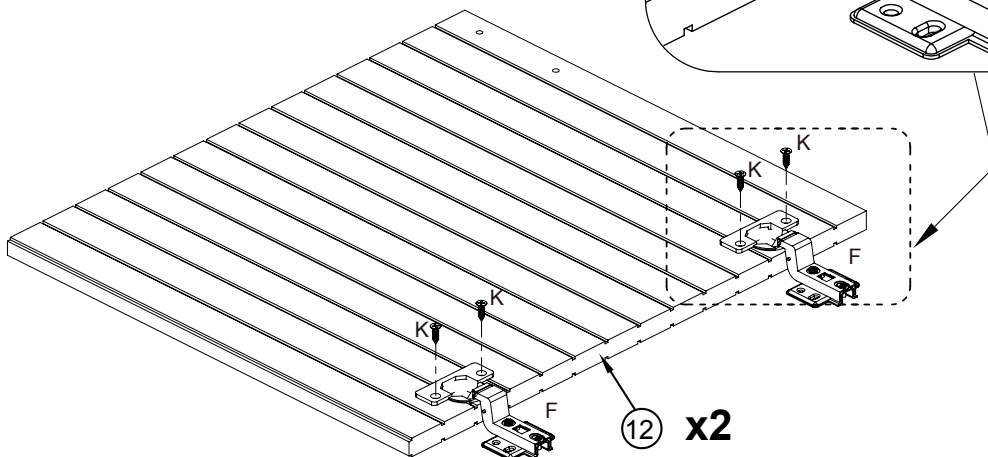
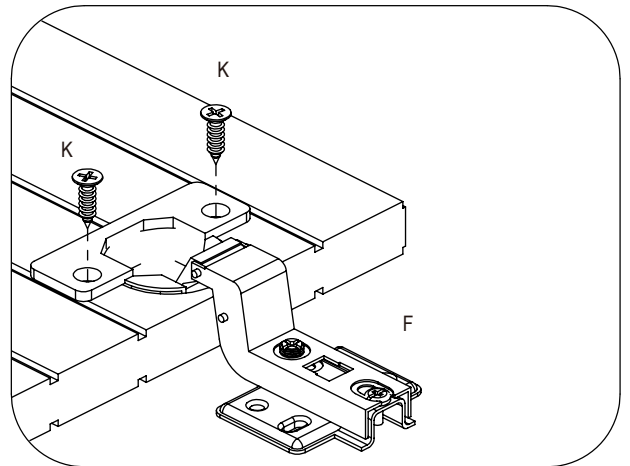
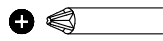
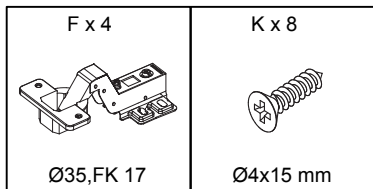
21



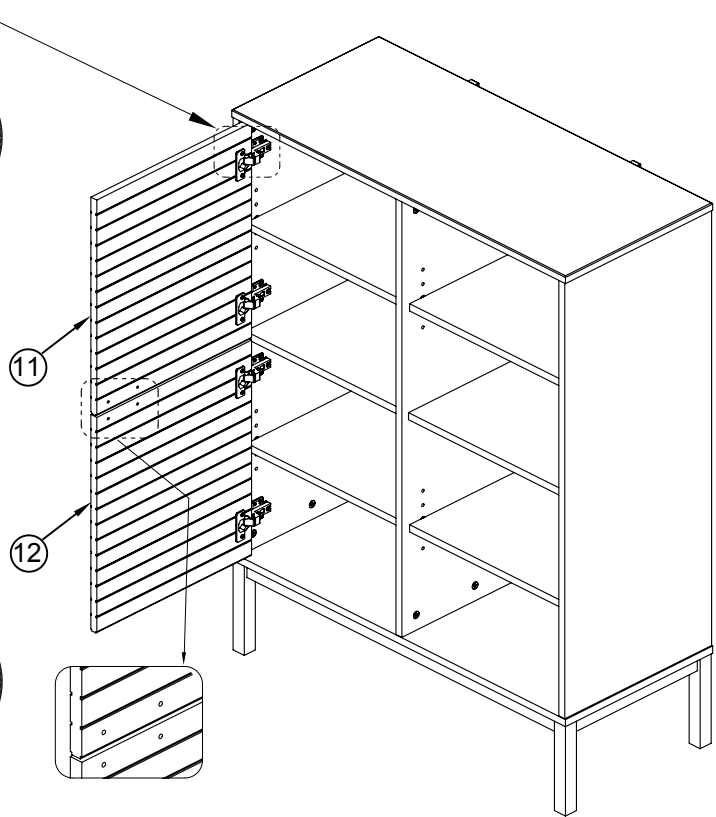
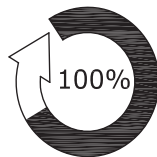
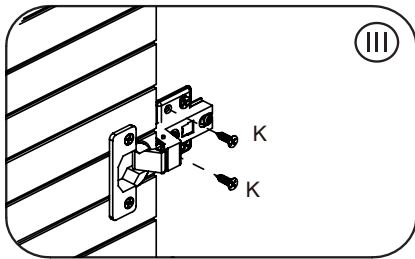
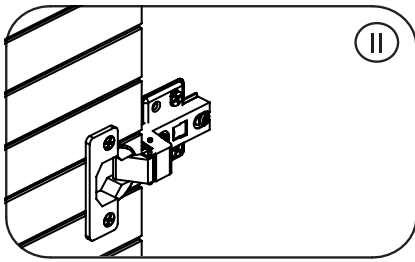
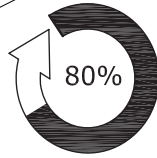
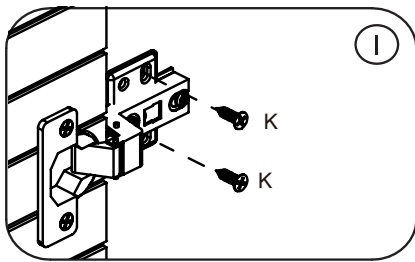
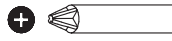
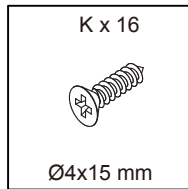
22



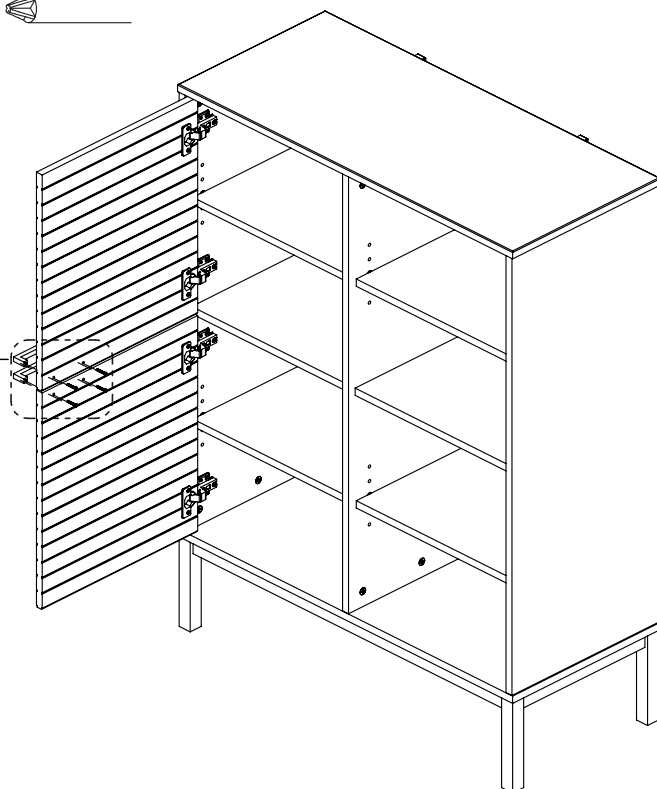
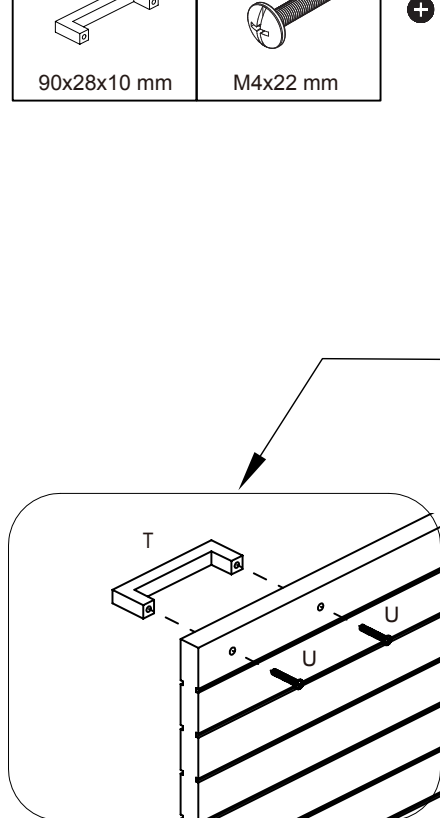
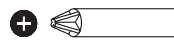
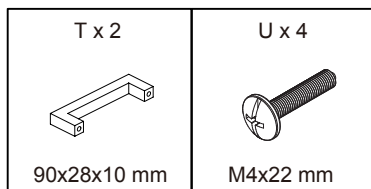
23



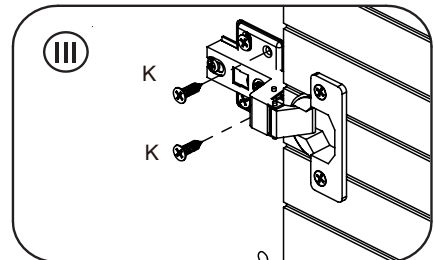
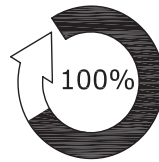
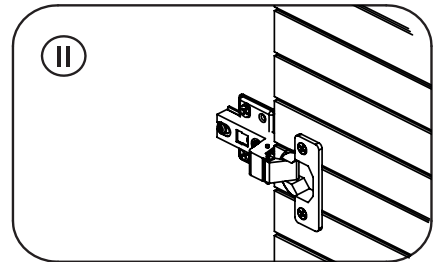
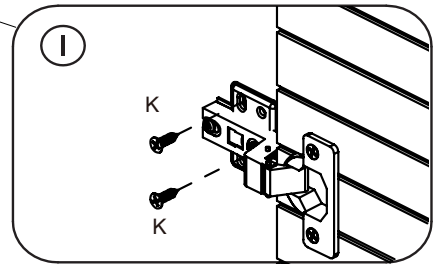
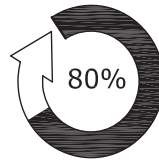
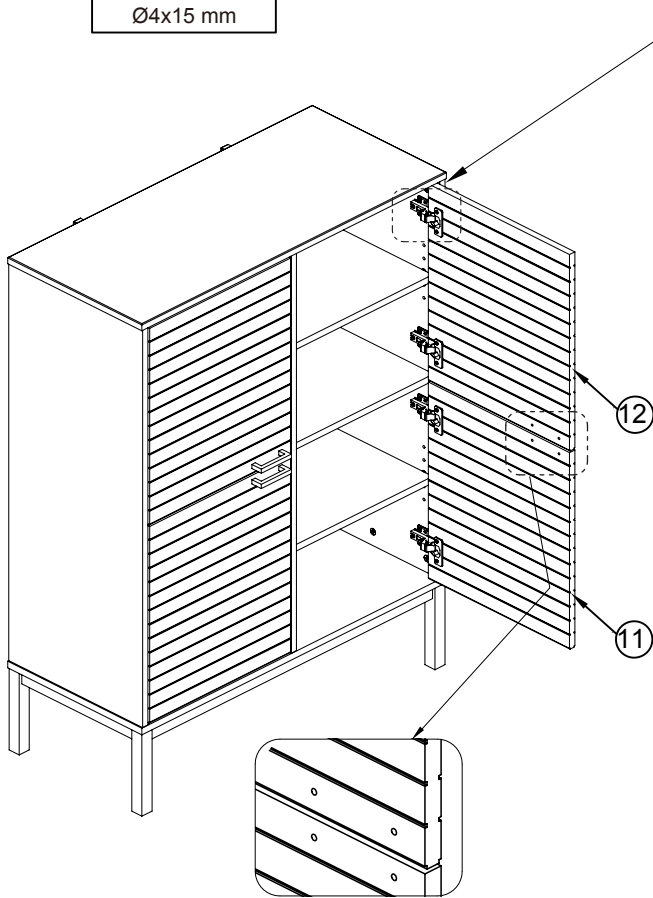
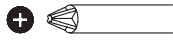
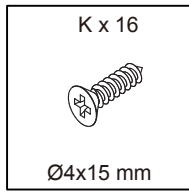
24



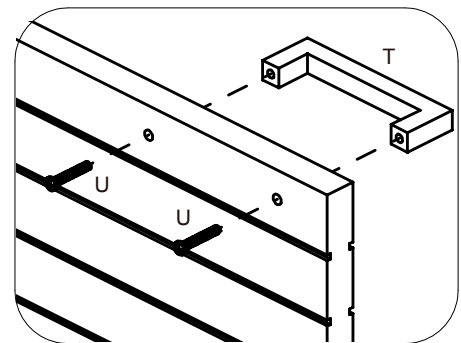
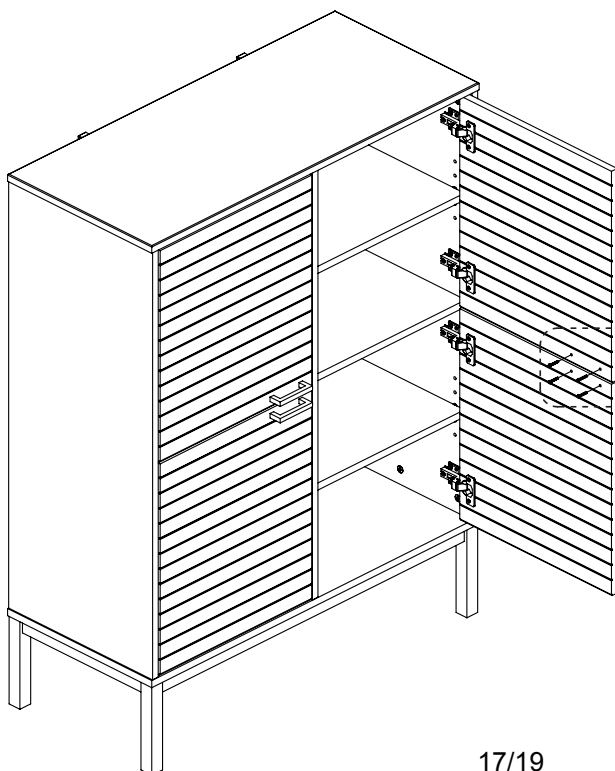
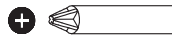
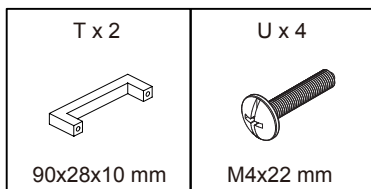
25



26



27



28

