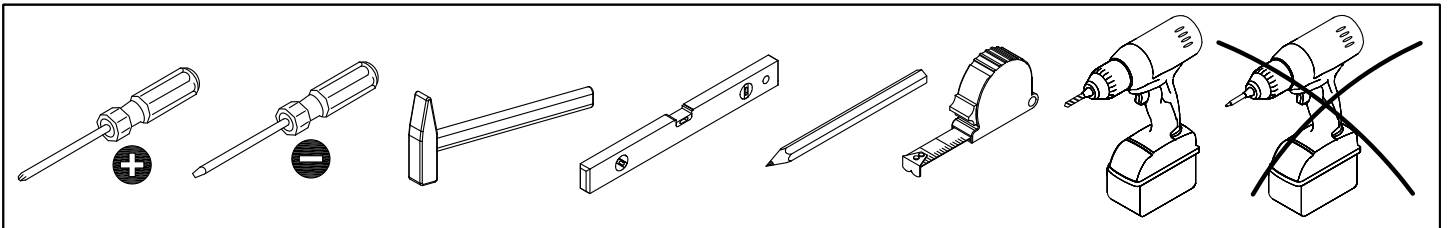
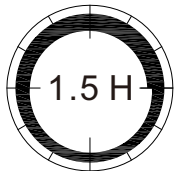
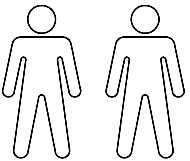
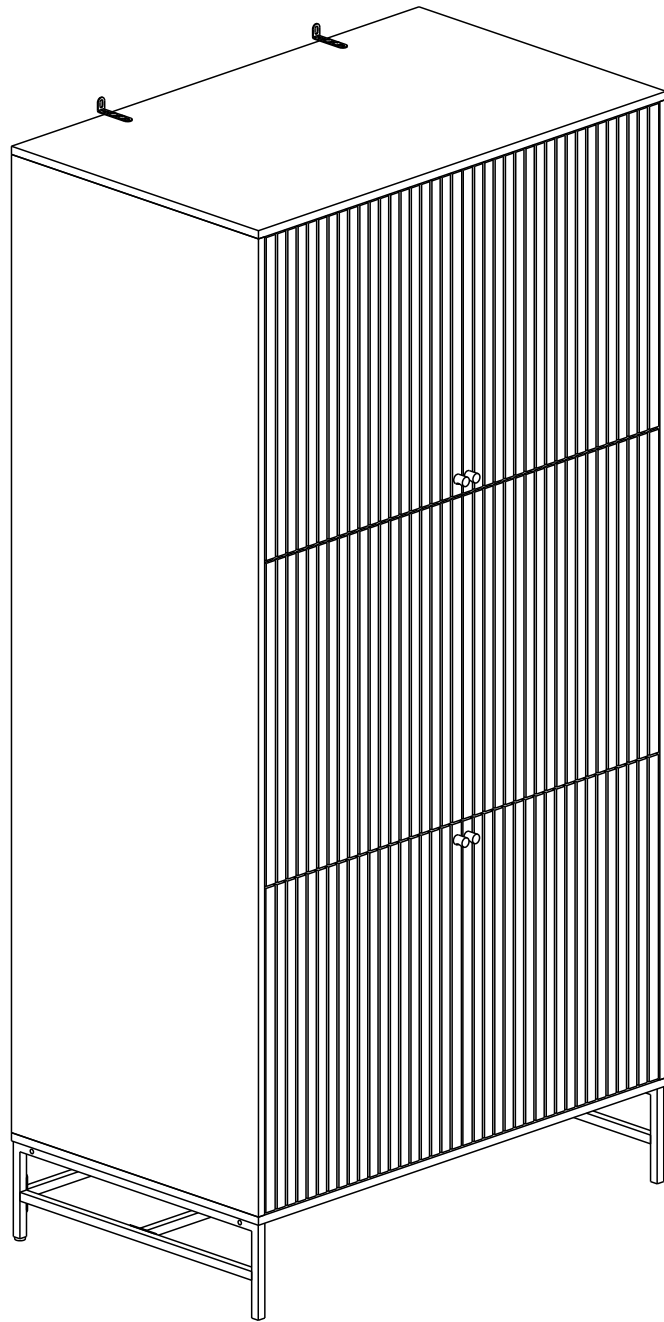
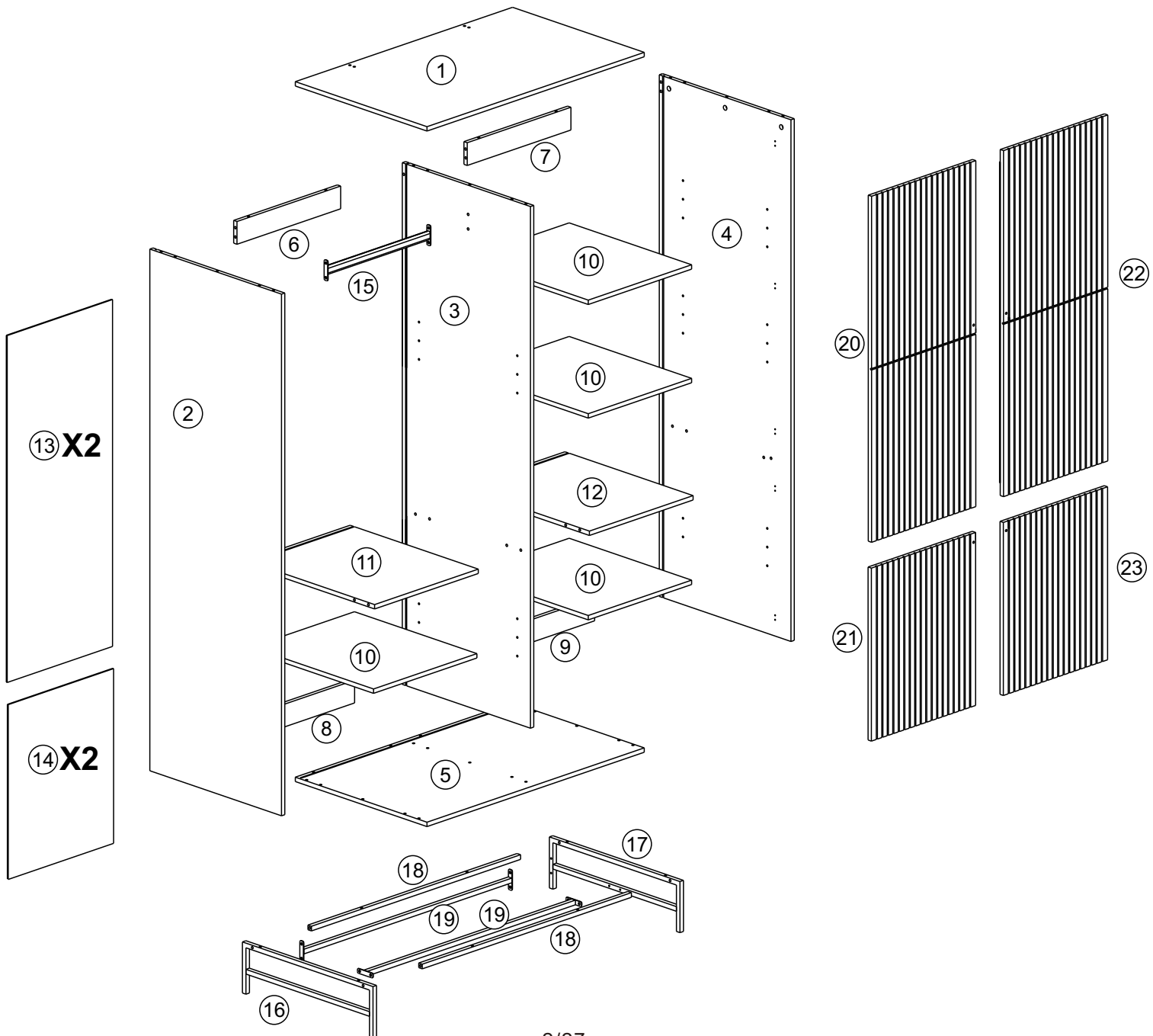


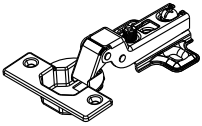
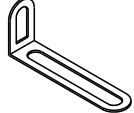
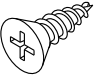
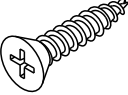
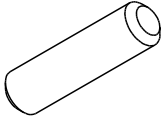
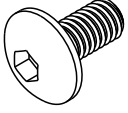
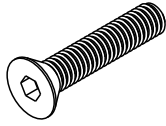
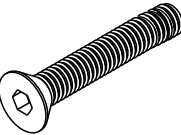

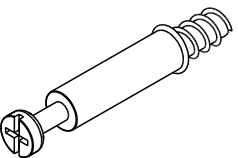
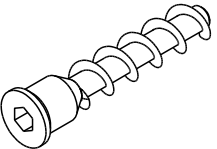
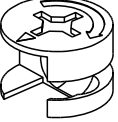
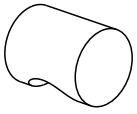
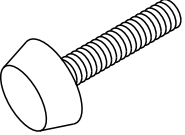
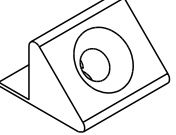
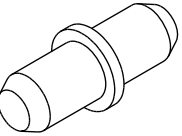
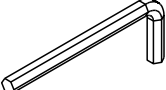
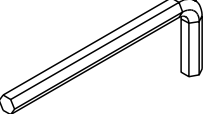

ALBANY



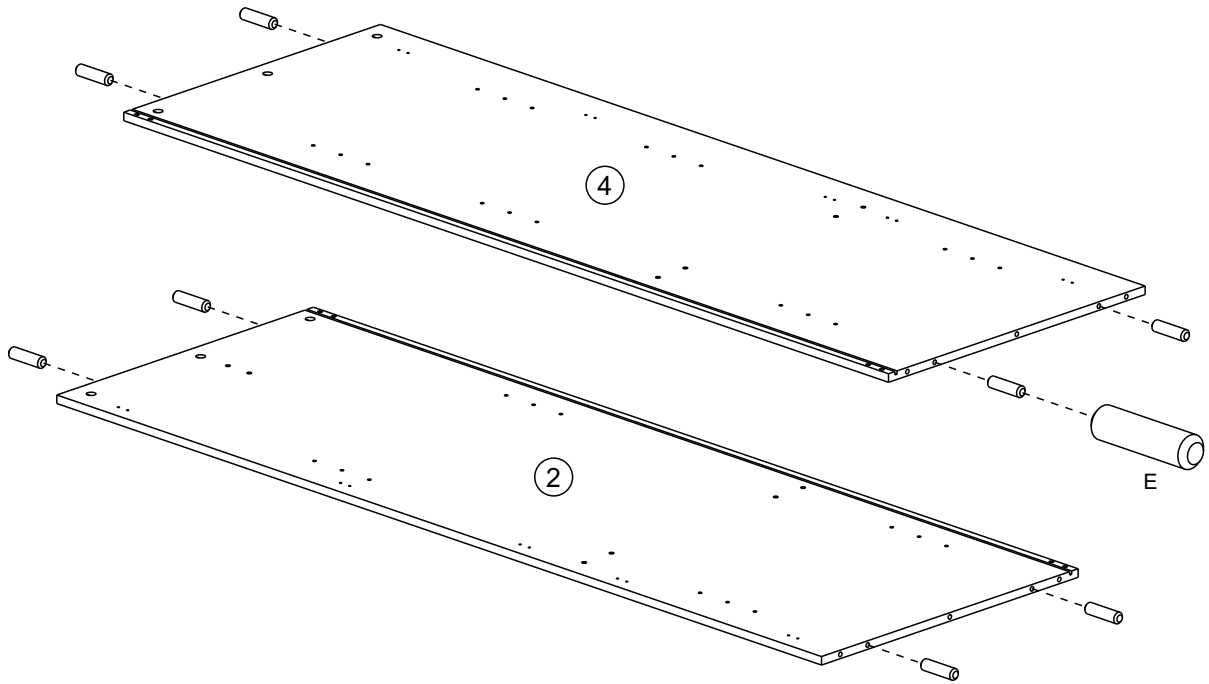
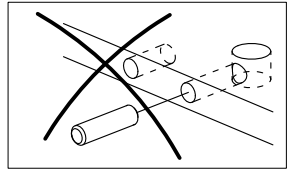
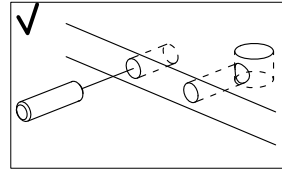
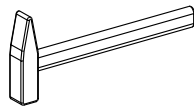
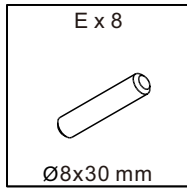
| | | | |
|---|---|---------------|---|
| | | | ✓ |
| ① | 1 | 990x600x15mm | |
| ② | 1 | 1788x600x15mm | |
| ③ | 1 | 1788x582x15mm | |
| ④ | 1 | 1788x600x15mm | |
| ⑤ | 1 | 990x600x15mm | |
| ⑥ | 1 | 472x78x15mm | |
| ⑦ | 1 | 472x78x15mm | |
| ⑧ | 1 | 472x78x15mm | |
| ⑨ | 1 | 472x78x15mm | |
| ⑩ | 4 | 559x470x15mm | |
| ⑪ | 1 | 582x472x15mm | |
| ⑫ | 1 | 582x472x15mm | |

| | | | |
|---|---|---------------|---|
| | | | ✓ |
| ⑬ | 1 | 1191x481x4mm | |
| ⑭ | 1 | 599x481x4mm | |
| ⑮ | 1 | 472x70x15mm | |
| ⑯ | 1 | 595x175x16mm | |
| ⑰ | 1 | 595x175x16mm | |
| ⑱ | 2 | 953x16x16mm | |
| ⑲ | 2 | 953x70x16mm | |
| ⑳ | 1 | 1186x475x16mm | |
| ㉑ | 1 | 592x475x16mm | |
| ㉒ | 1 | 1186x475x16mm | |
| ㉓ | 1 | 592x475x16mm | |

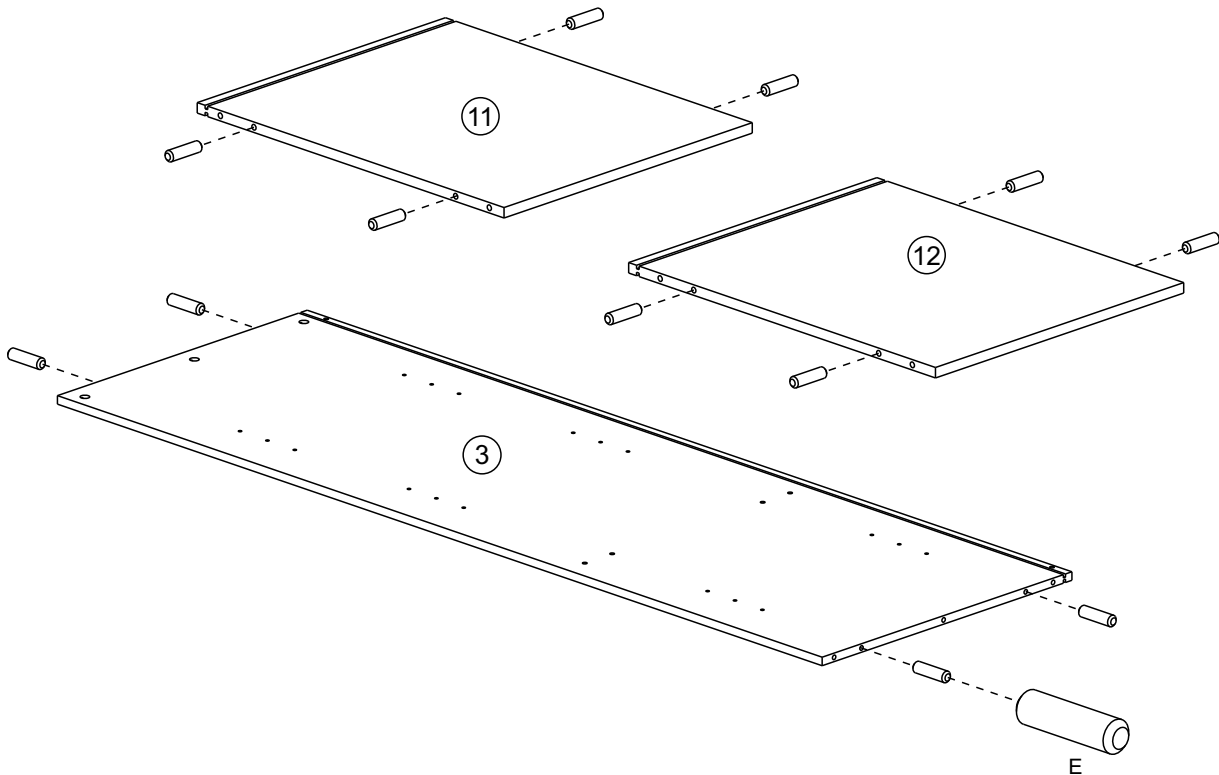
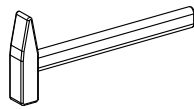
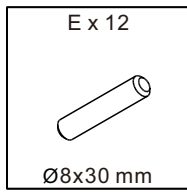


| | | | | |
|--|---|---|---|--|
| <p>A x 10</p>  <p>Ø35/FK17 mm</p> | <p>B x 2</p>  <p>75x25x15 mm</p> | <p>C x 40</p>  <p>Ø4x14 mm</p> | <p>D x 10</p>  <p>Ø3.5x20 mm</p> | <p>E x 20</p>  <p>Ø8x30 mm</p> |
| <p>F x 16</p>  <p>M6x12 mm</p> | <p>G x 8</p>  <p>M6x25 mm</p> | <p>H x 4</p>  <p>M6x40 mm</p> | <p>J x 4</p>  <p>M4x20 mm</p> | <p>K x 35</p>  <p>Ø6x45 mm</p> |
| <p>L x 13</p>  <p>Ø5x38 mm</p> | <p>M x 35</p>  <p>Ø15x12 mm</p> | <p>N x 4</p>  <p>Ø17x22 mm</p> | <p>P x 4</p>  <p>Ø13.5x25 mm</p> | <p>Q x 10</p>  <p>15x13x10 mm</p> |
| <p>R x 16</p>  <p>Ø5/Ø5 mm</p> | <p>S x 1</p>  <p>3 mm</p> | <p>T x 1</p>  <p>4 mm</p> | <p>U x 4</p>  <p>Ø10 mm</p> | |

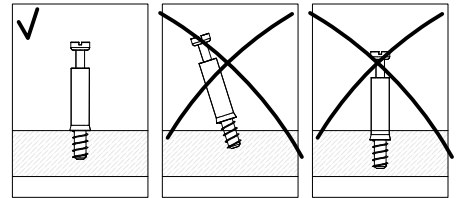
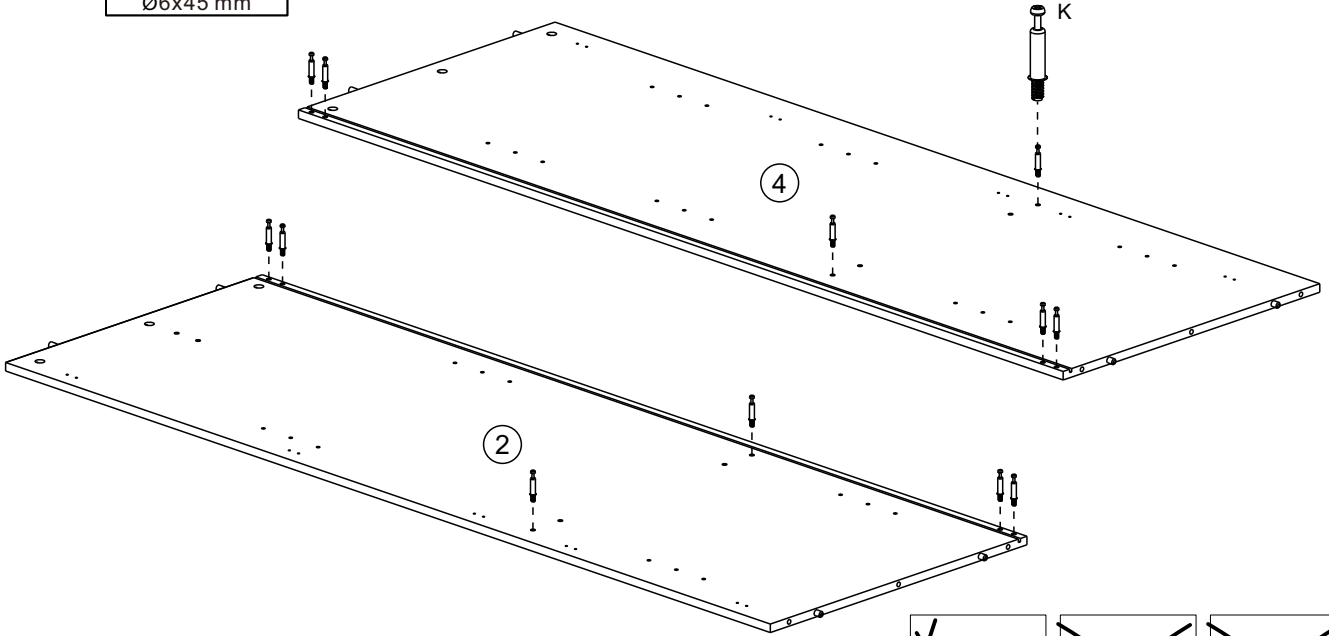
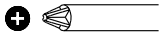
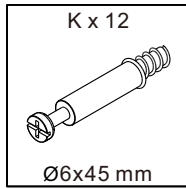
1



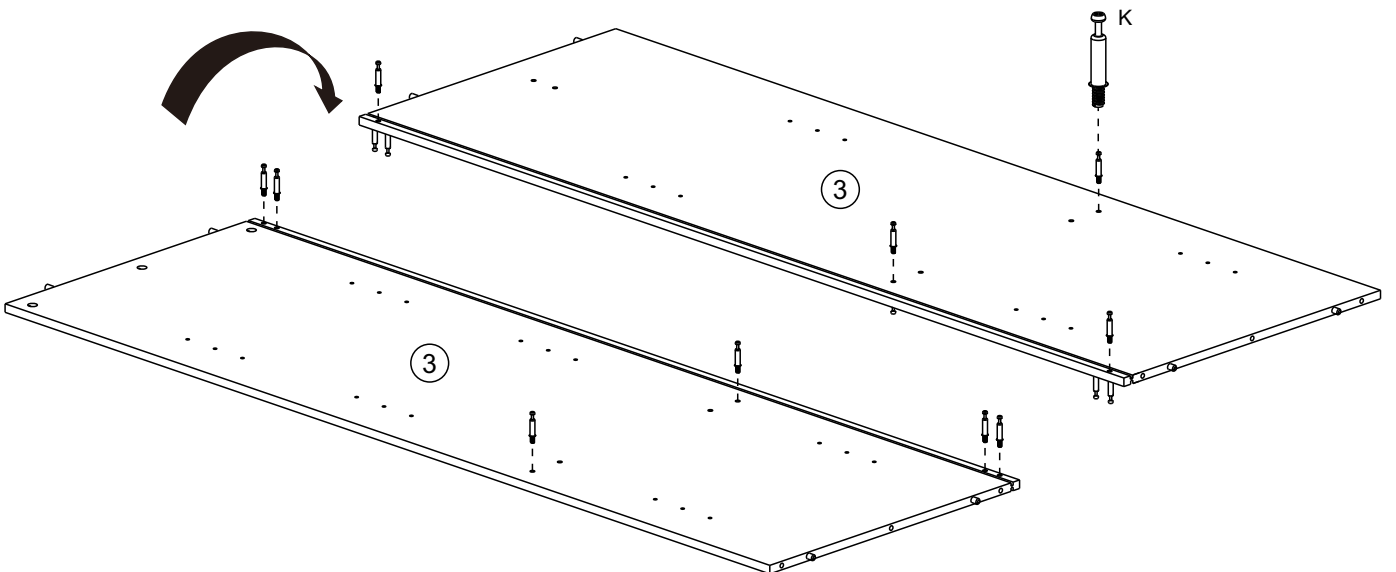
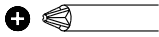
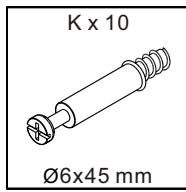
2



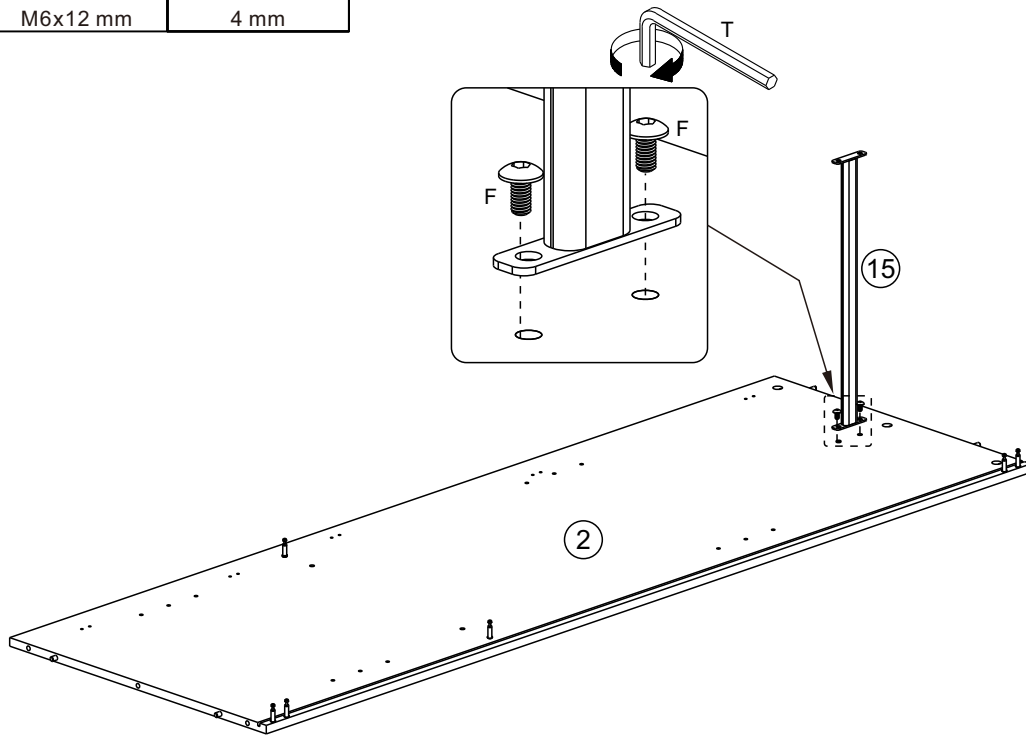
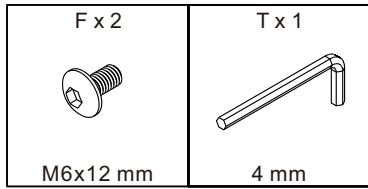
3



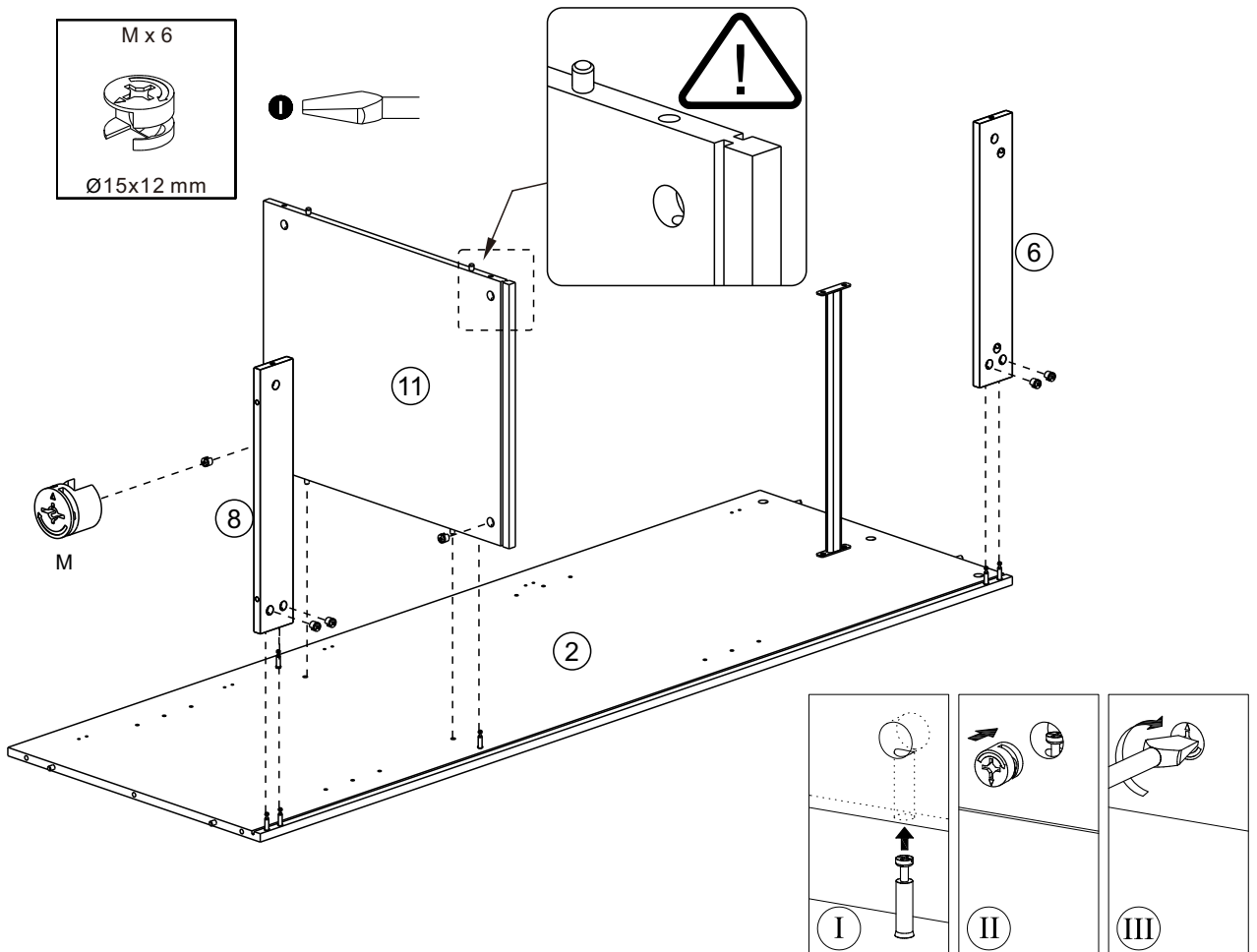
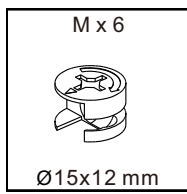
4



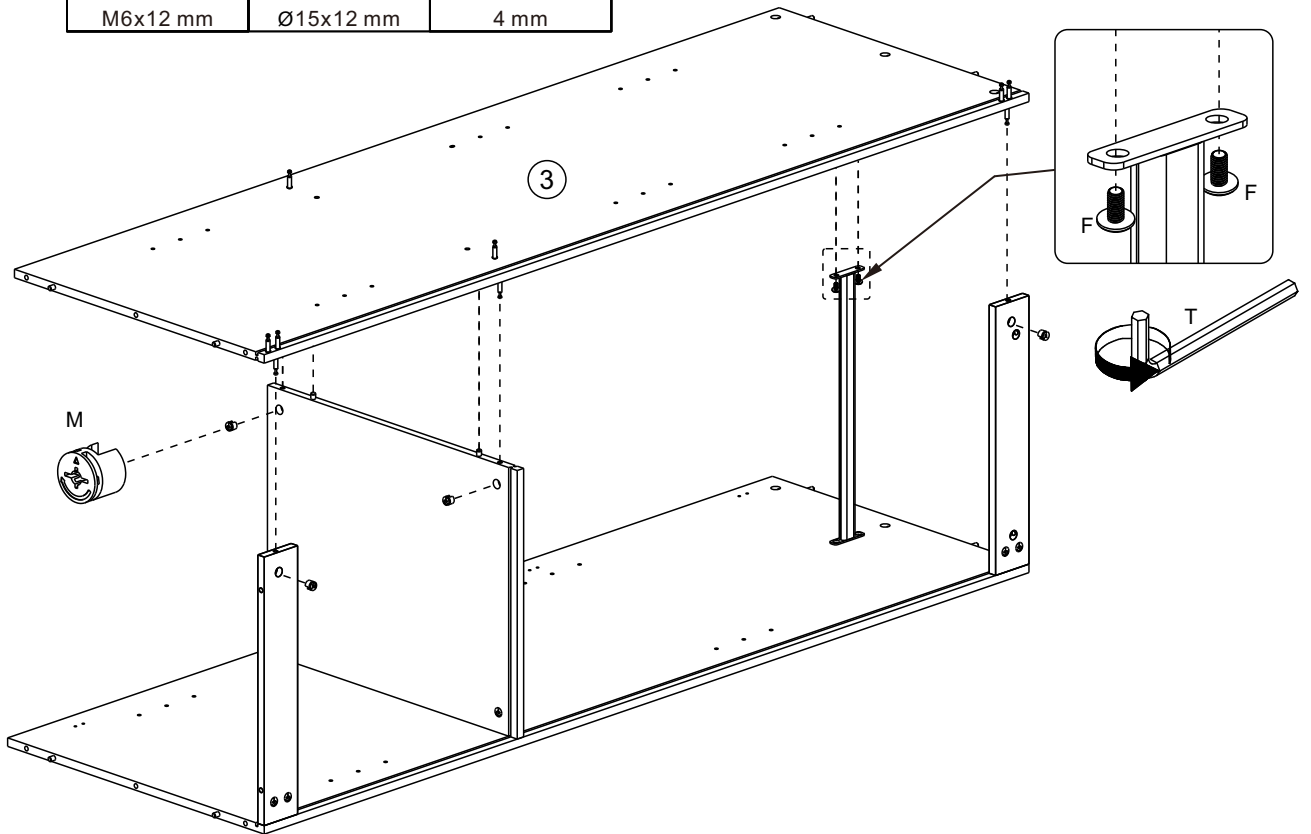
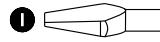
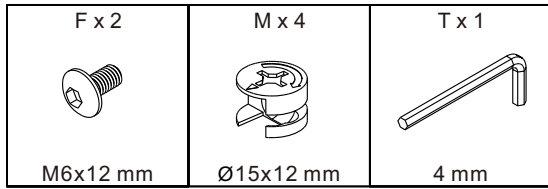
5



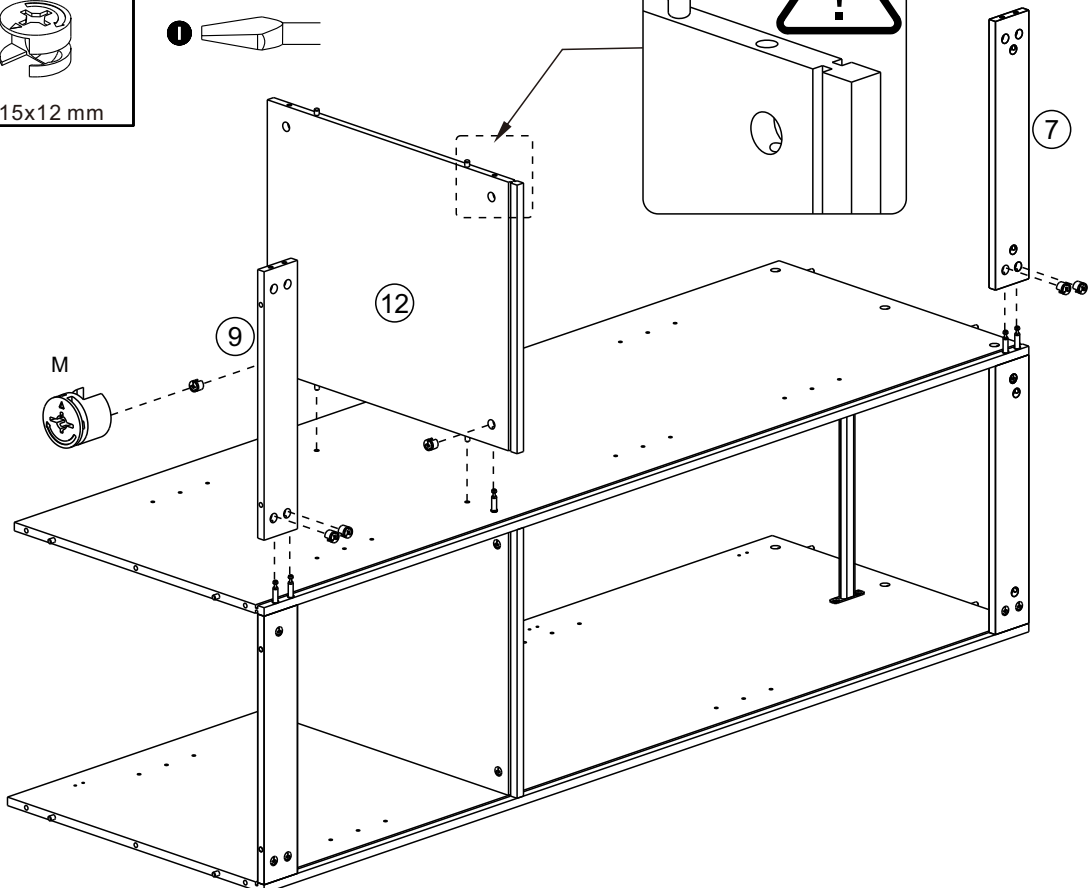
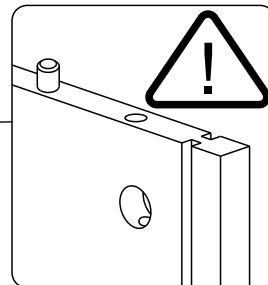
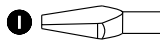
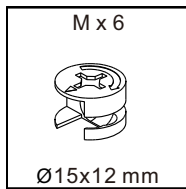
6



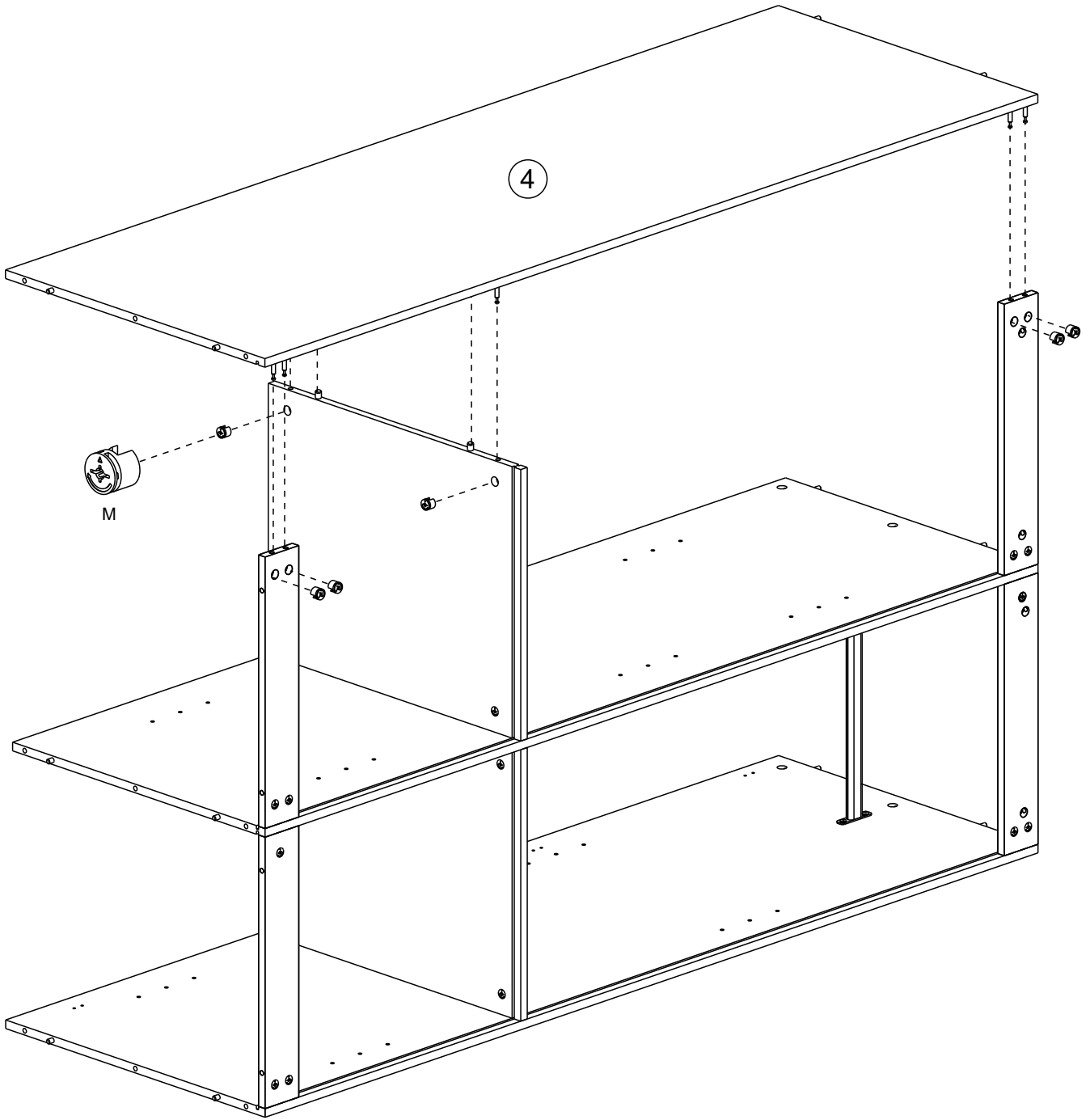
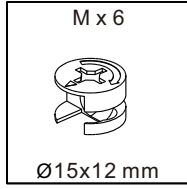
7



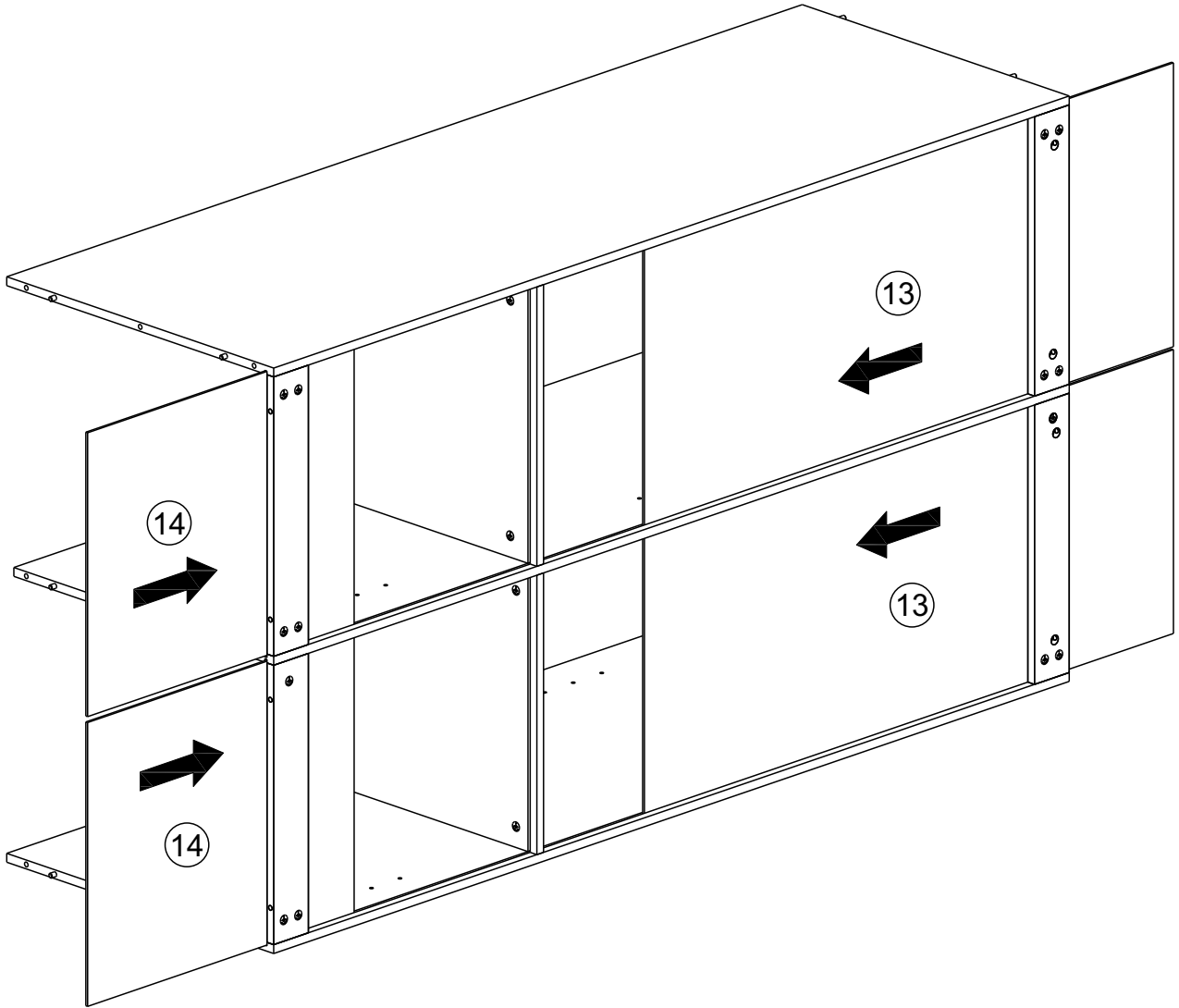
8



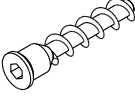

9

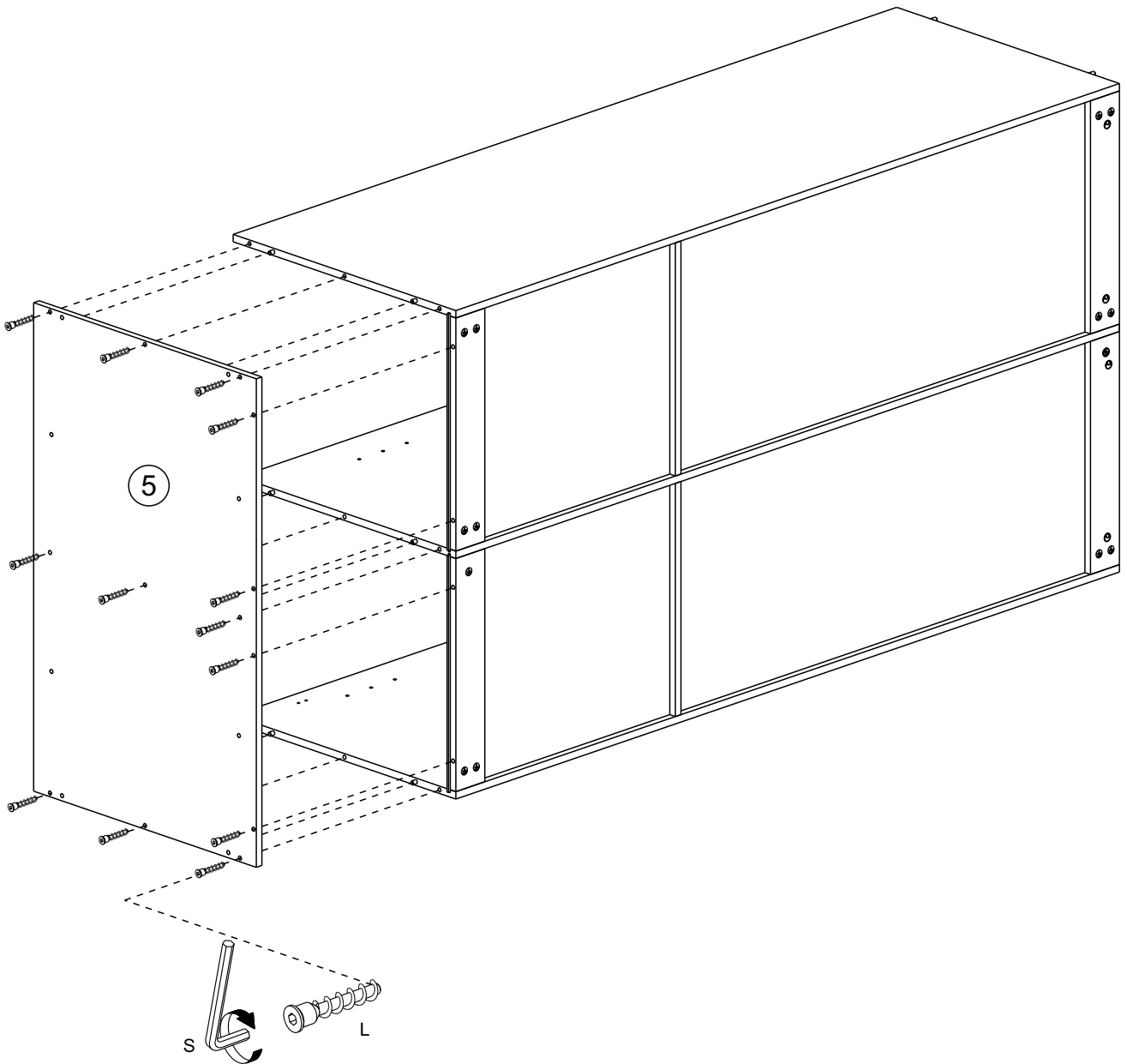


10

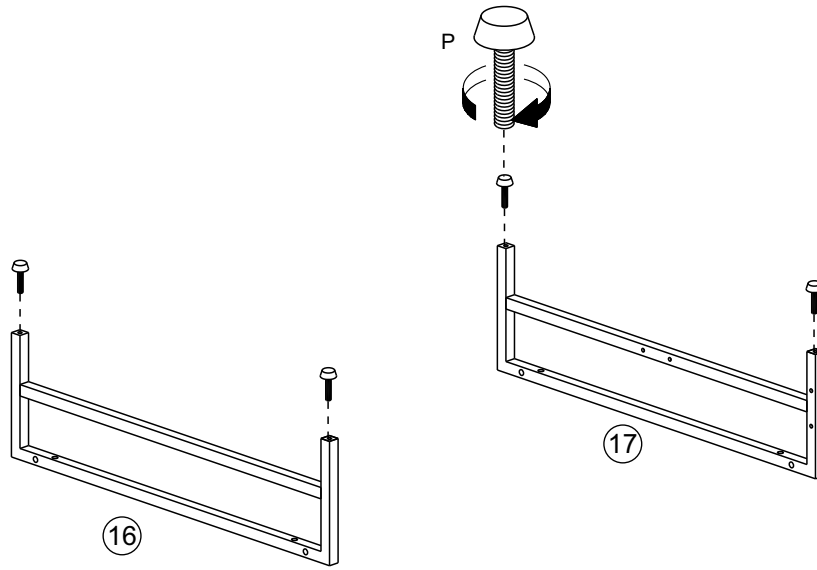
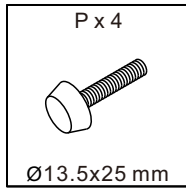


11

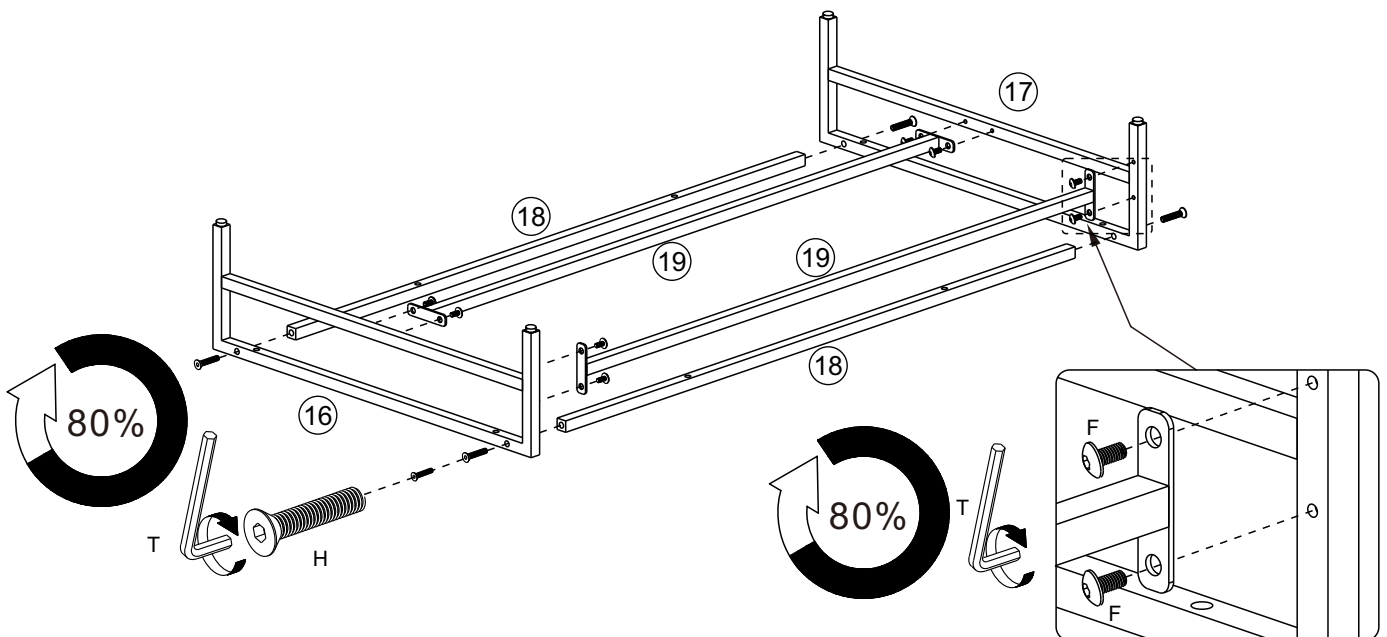
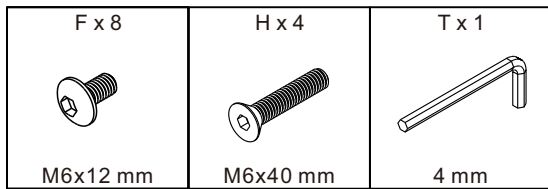
| | |
|---|--|
| L x 13  Ø5x38 mm | S x 1  3 mm |
|---|--|



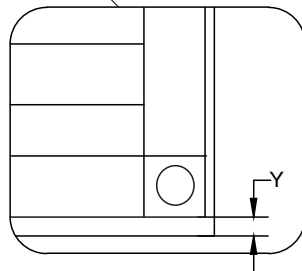
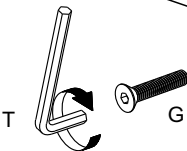
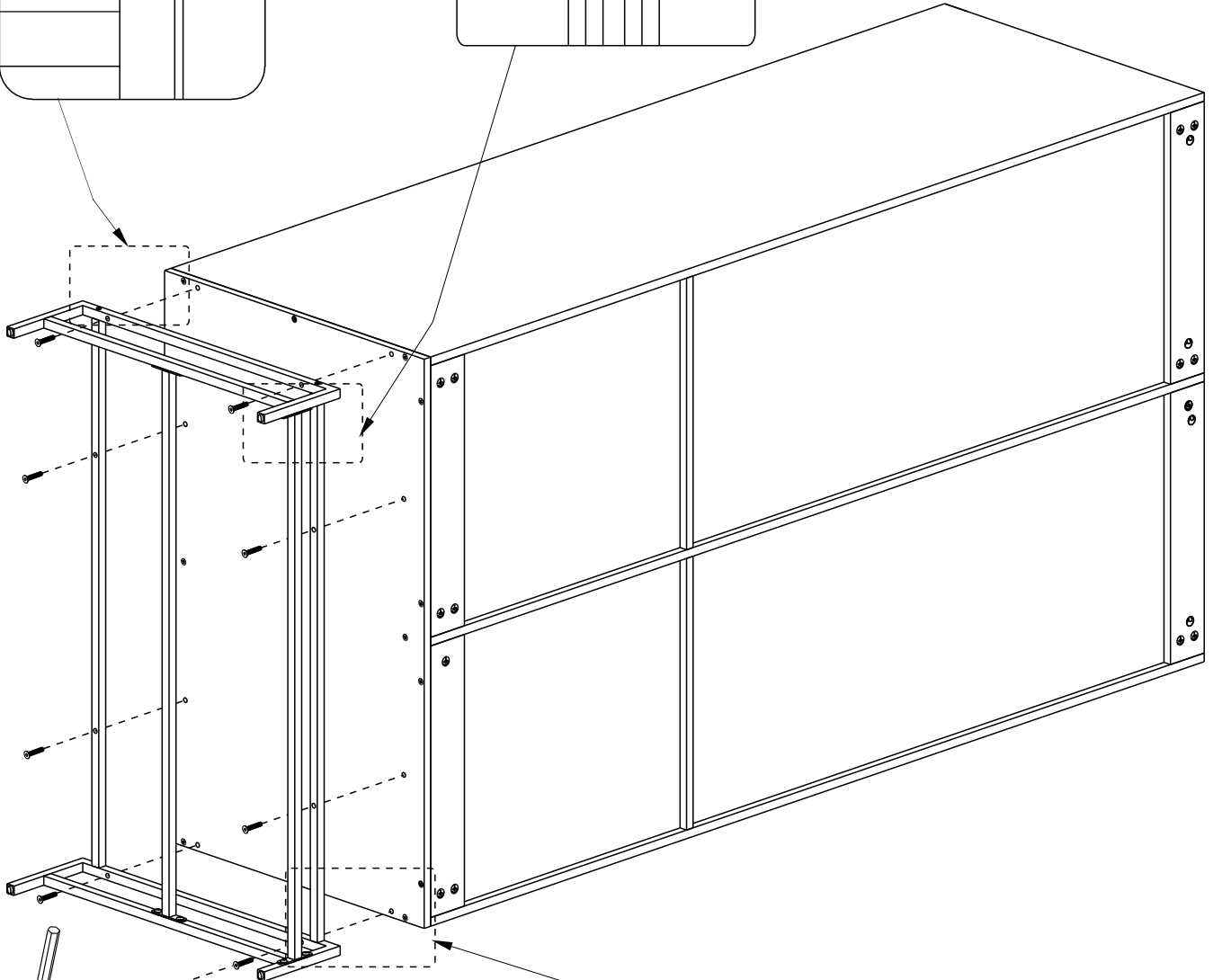
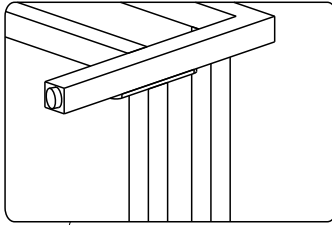
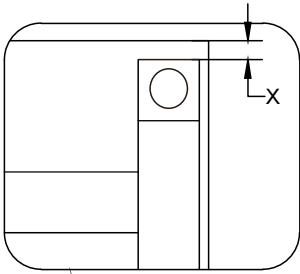
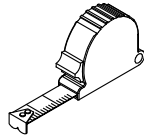
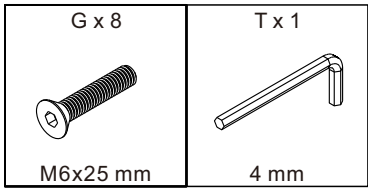
12



13

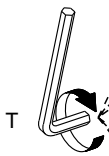
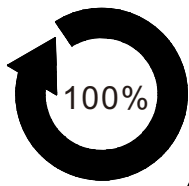
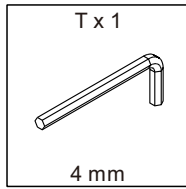


14

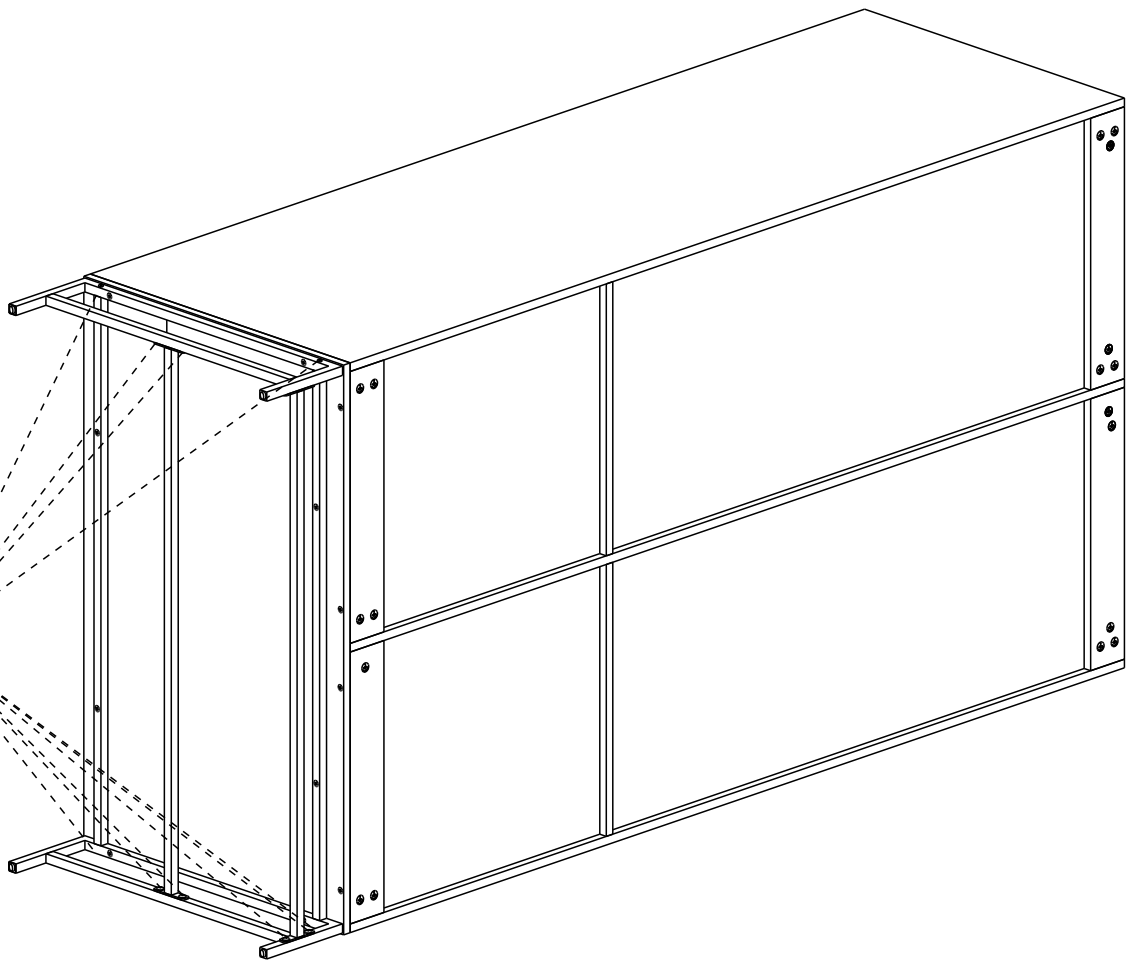


X=Y



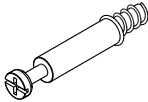
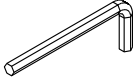
15

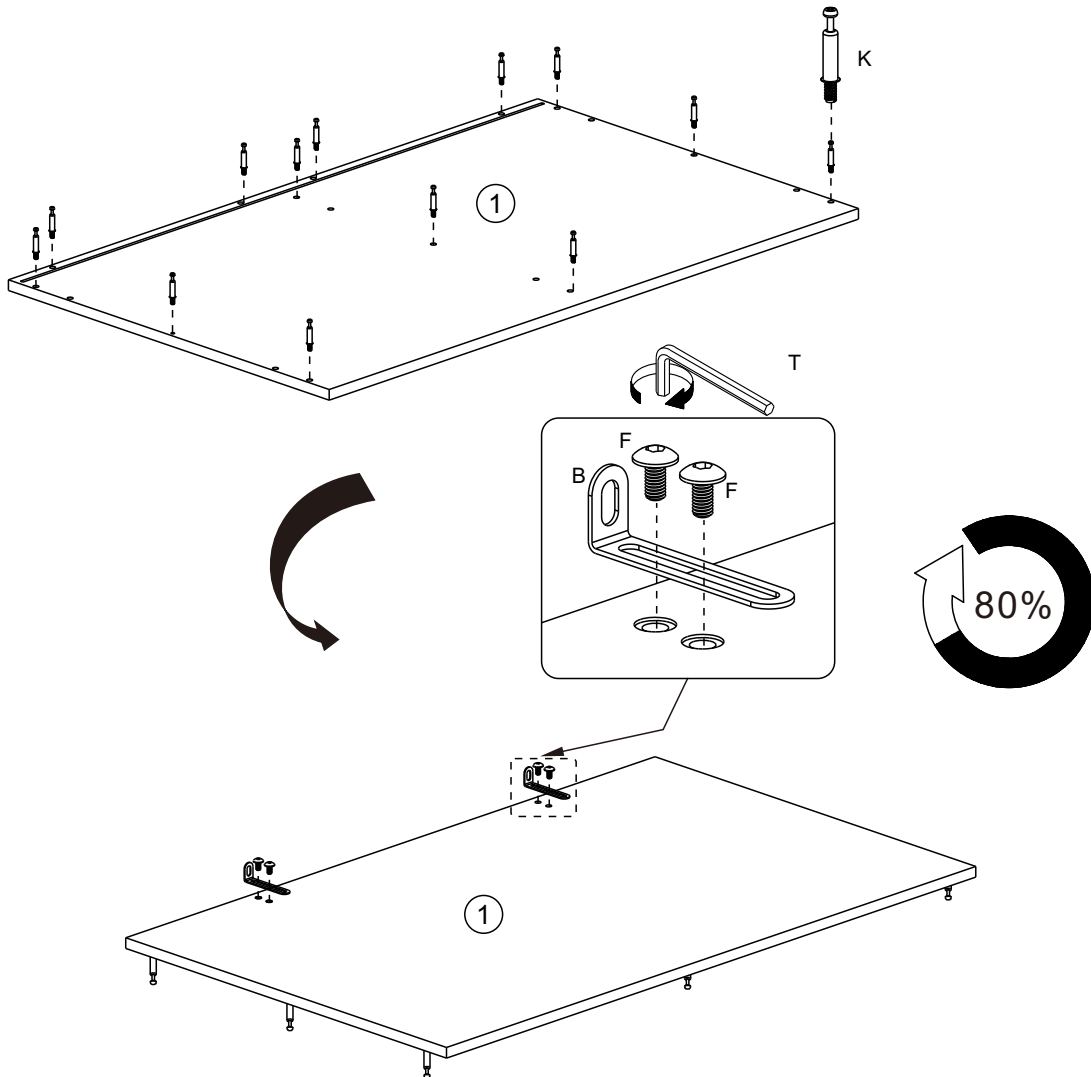


Fx8
Hx4

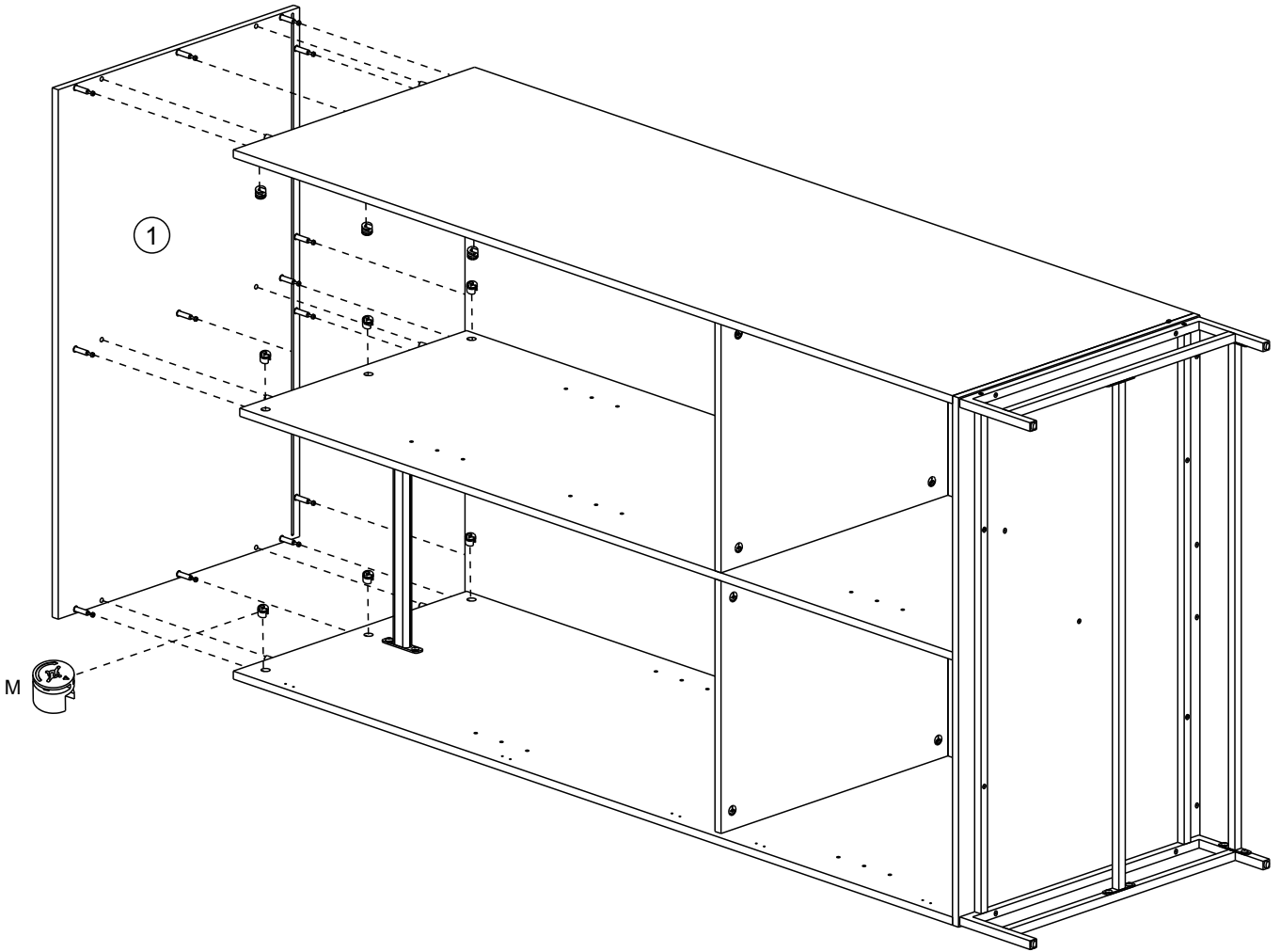
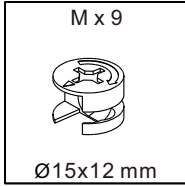


16

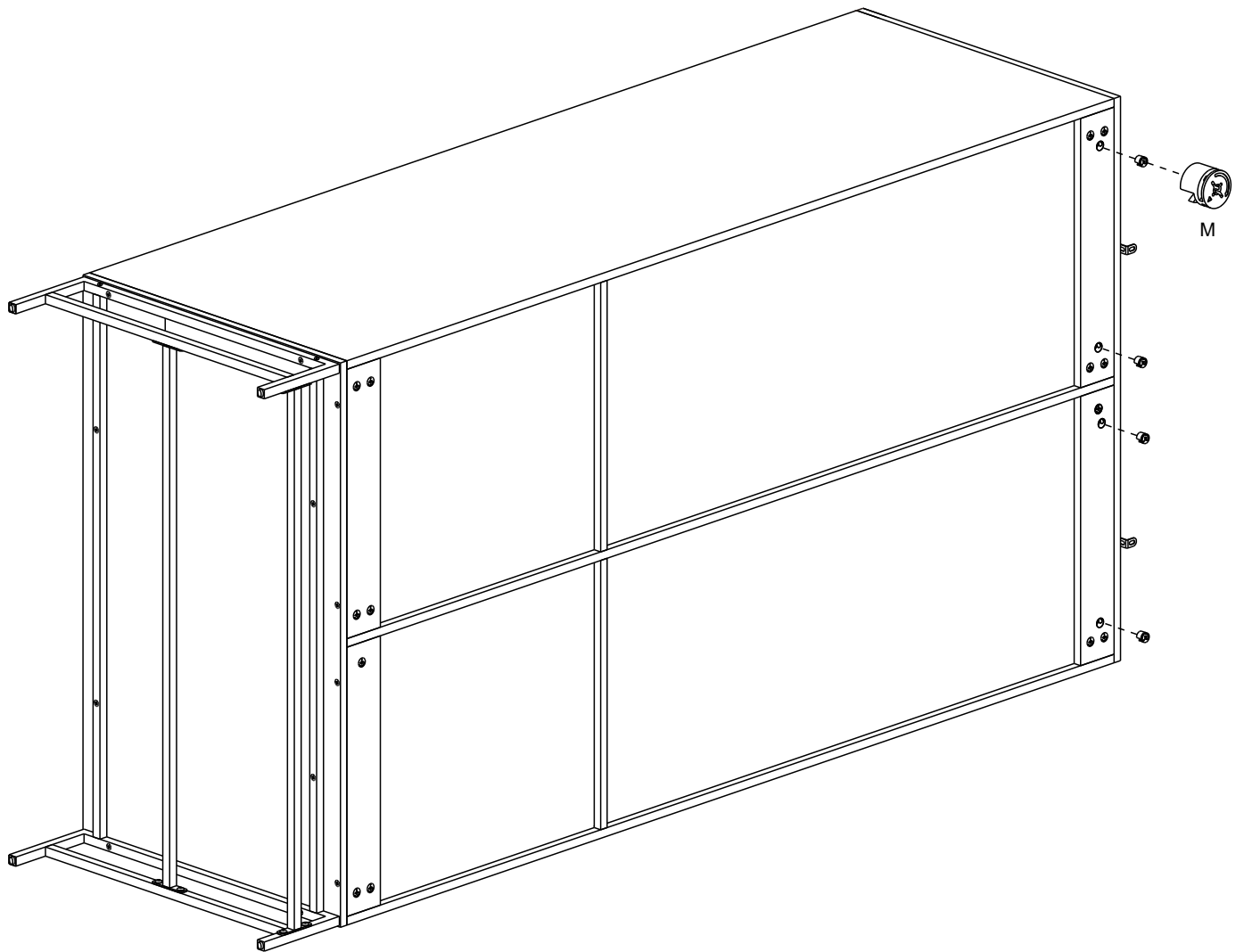
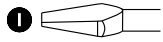
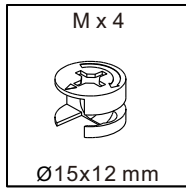
| | | | |
|---|--|---|--|
| B x 2  75x25x15 mm | F x 4  M6x12 mm | K x 13  Ø6x45 mm | T x 1  4 mm |
|---|--|---|--|



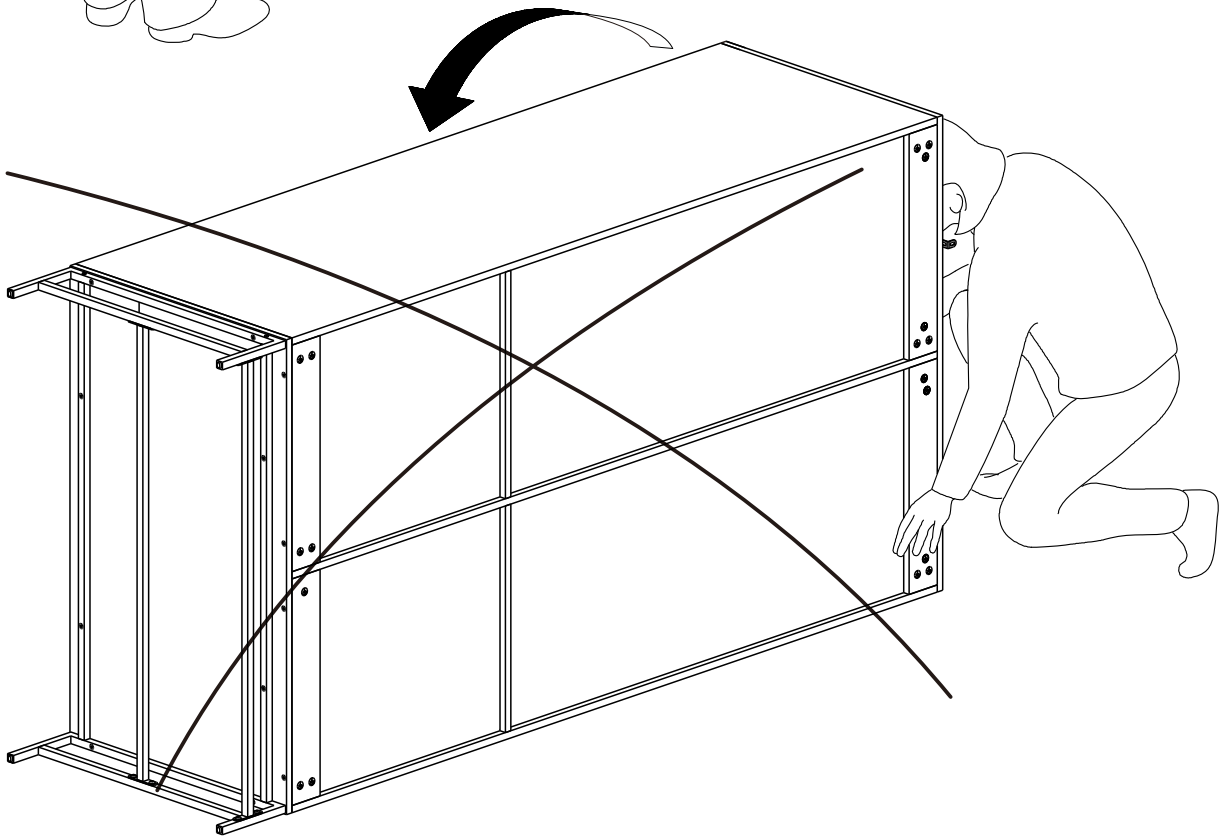
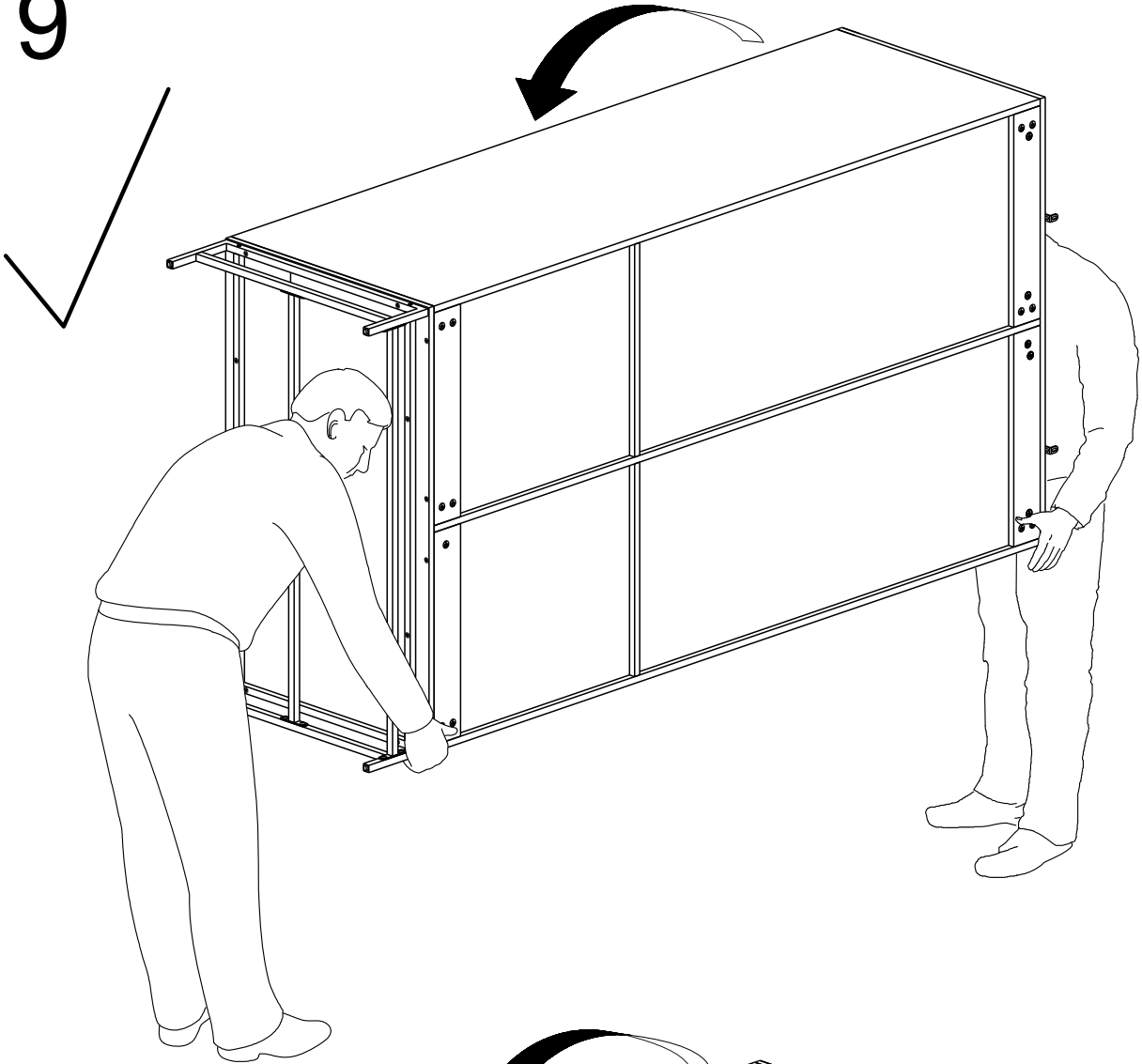
17



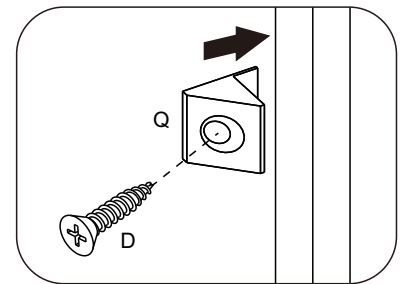
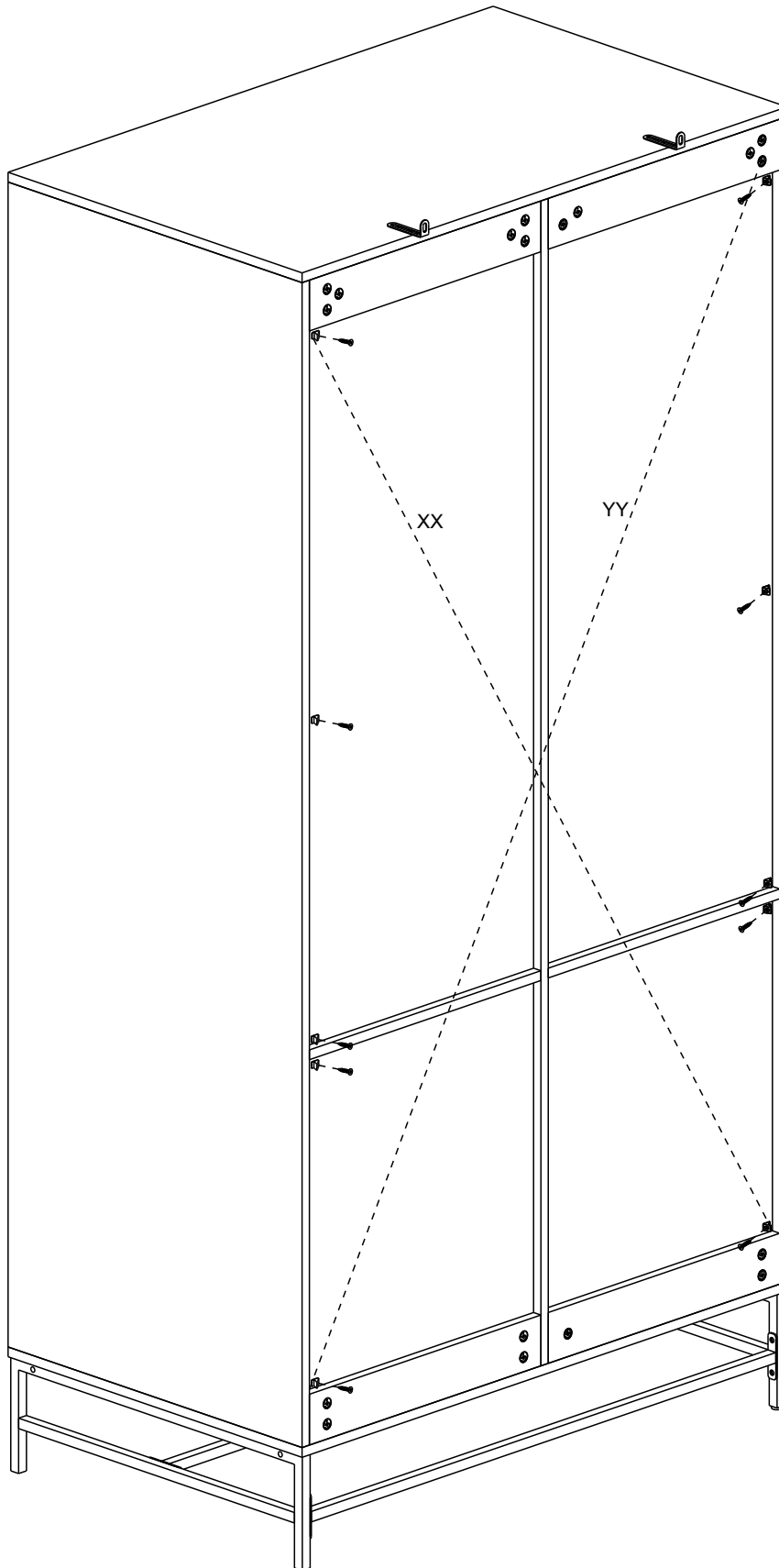
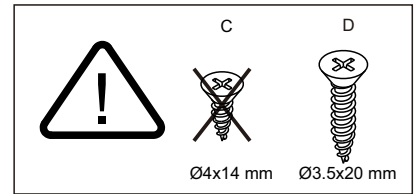
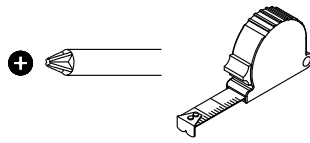
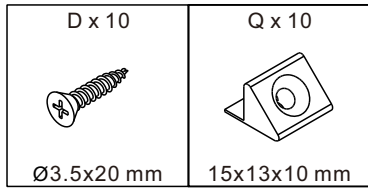
18



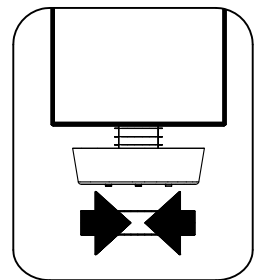
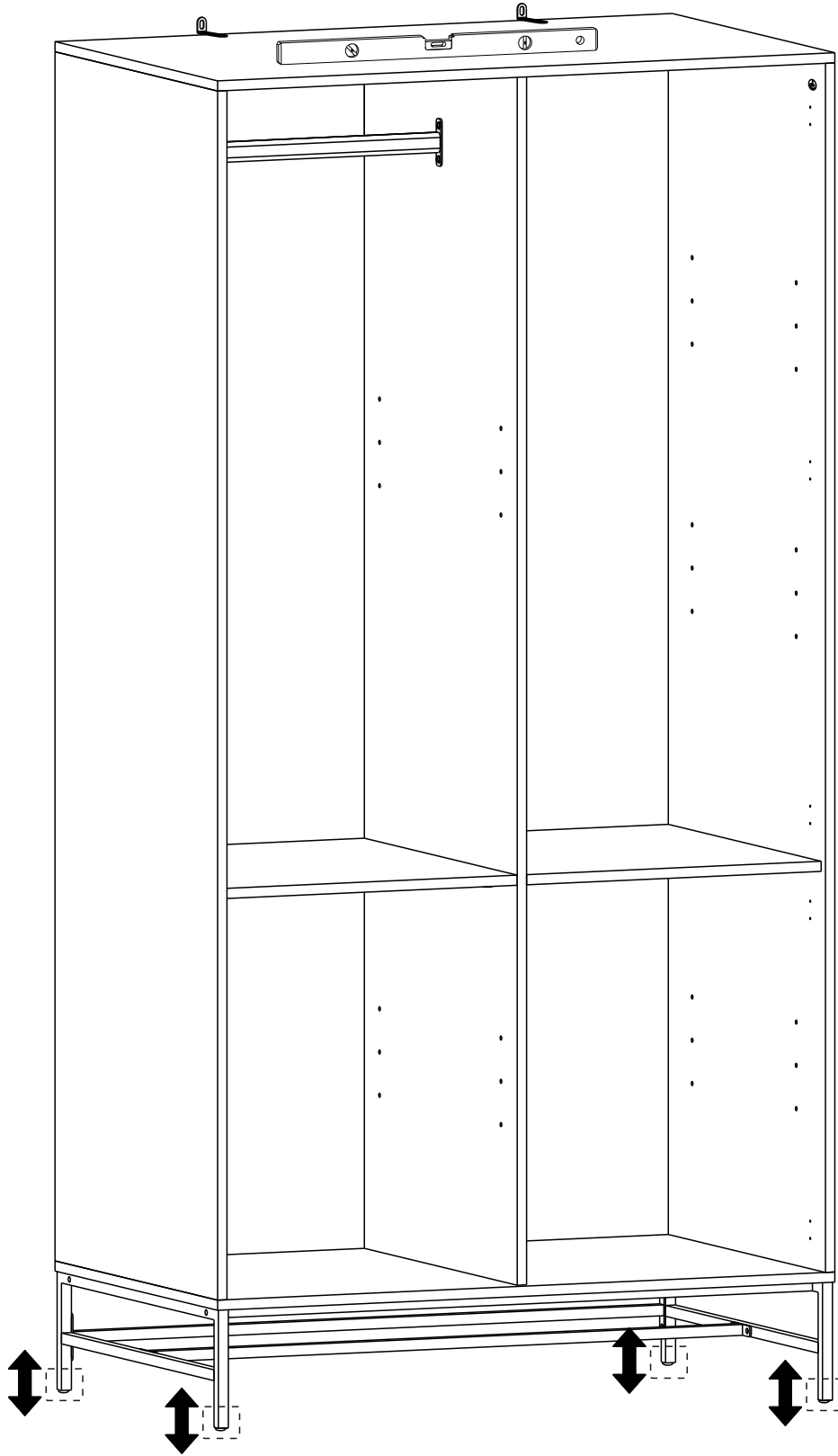
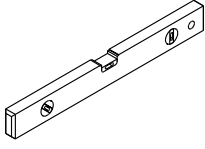
19



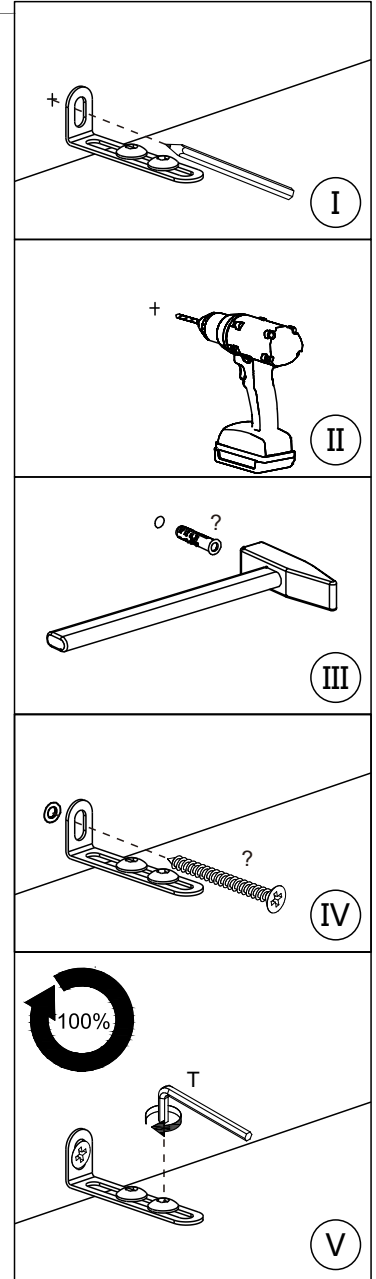
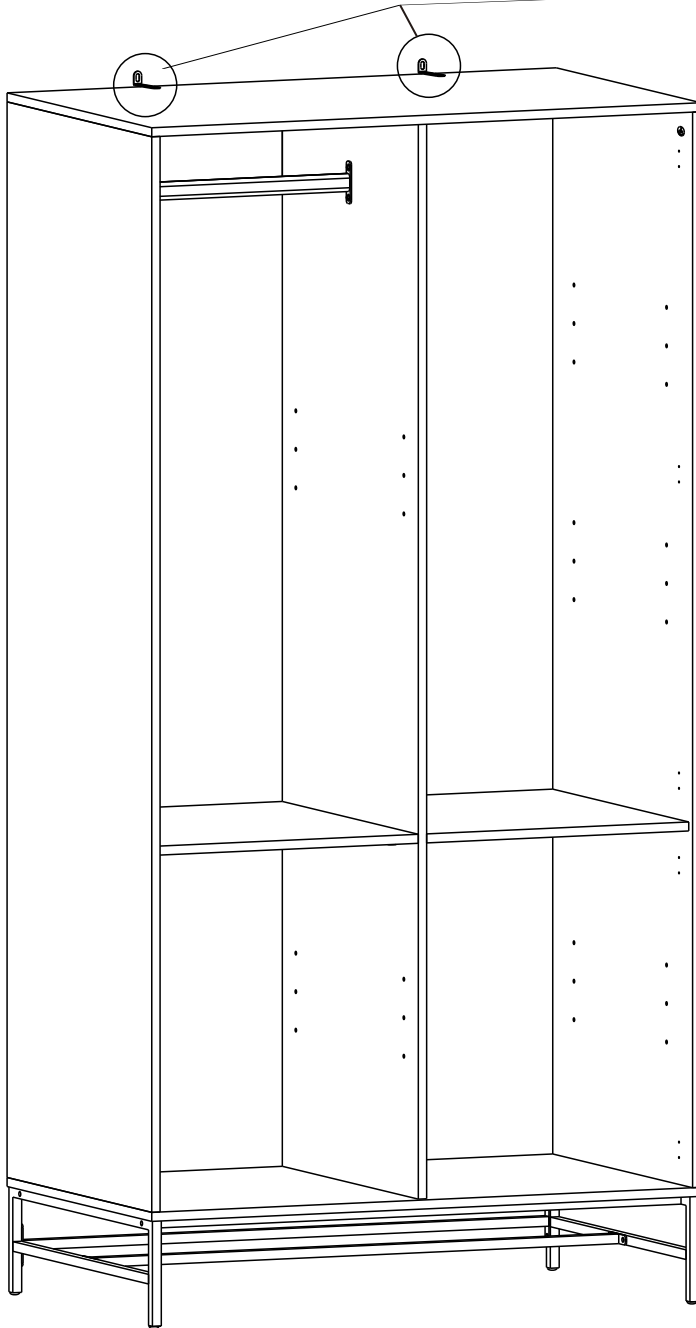
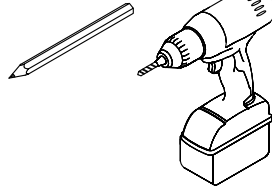
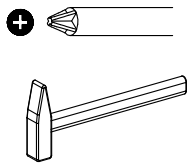
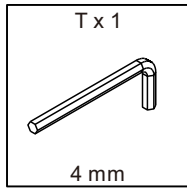
20



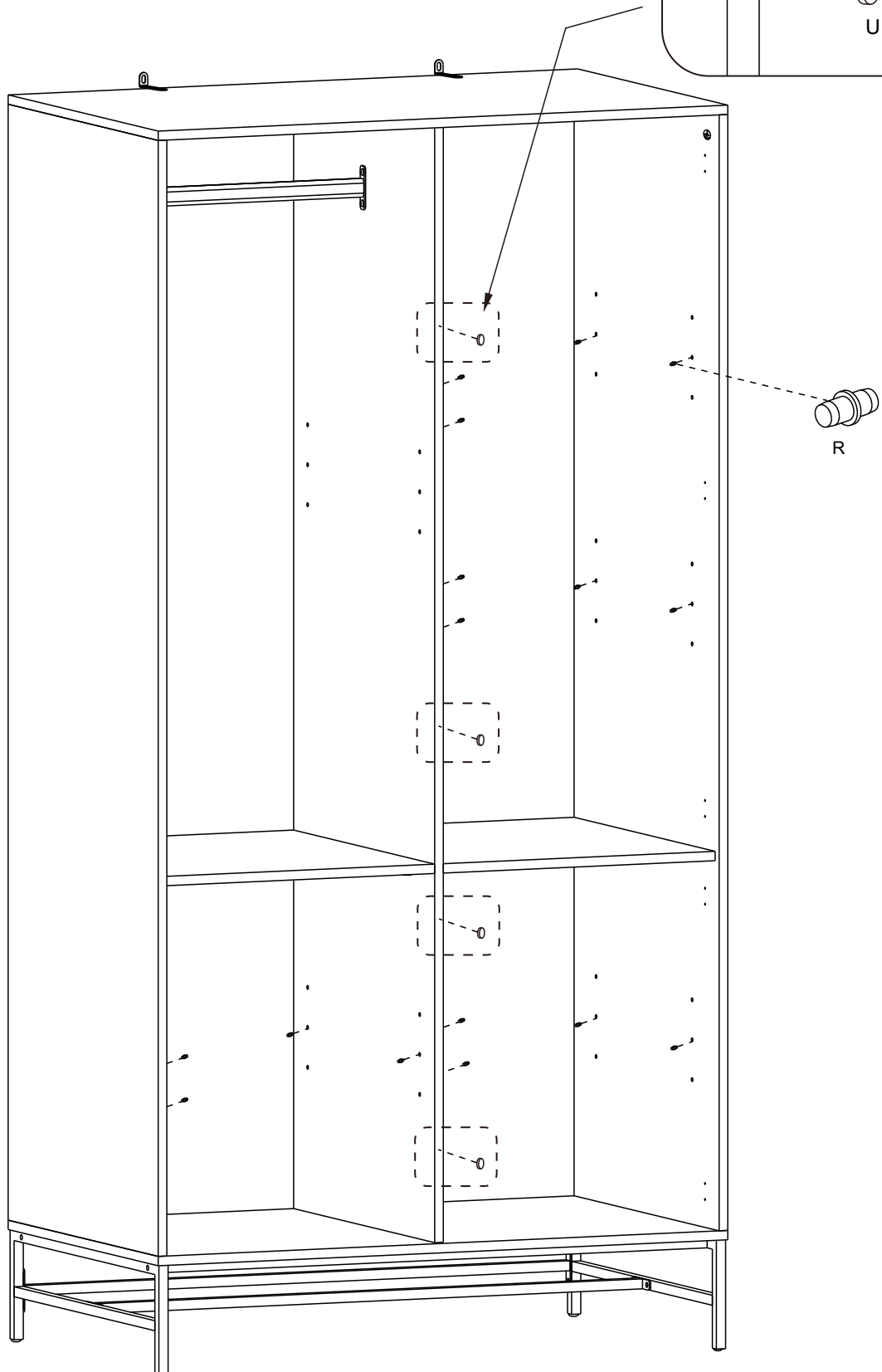
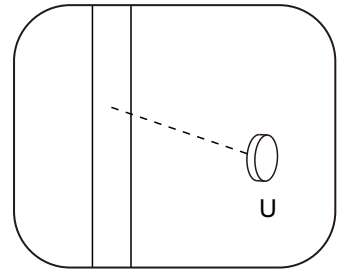
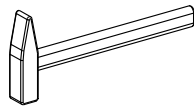
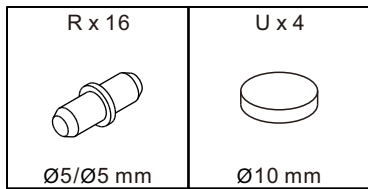
21

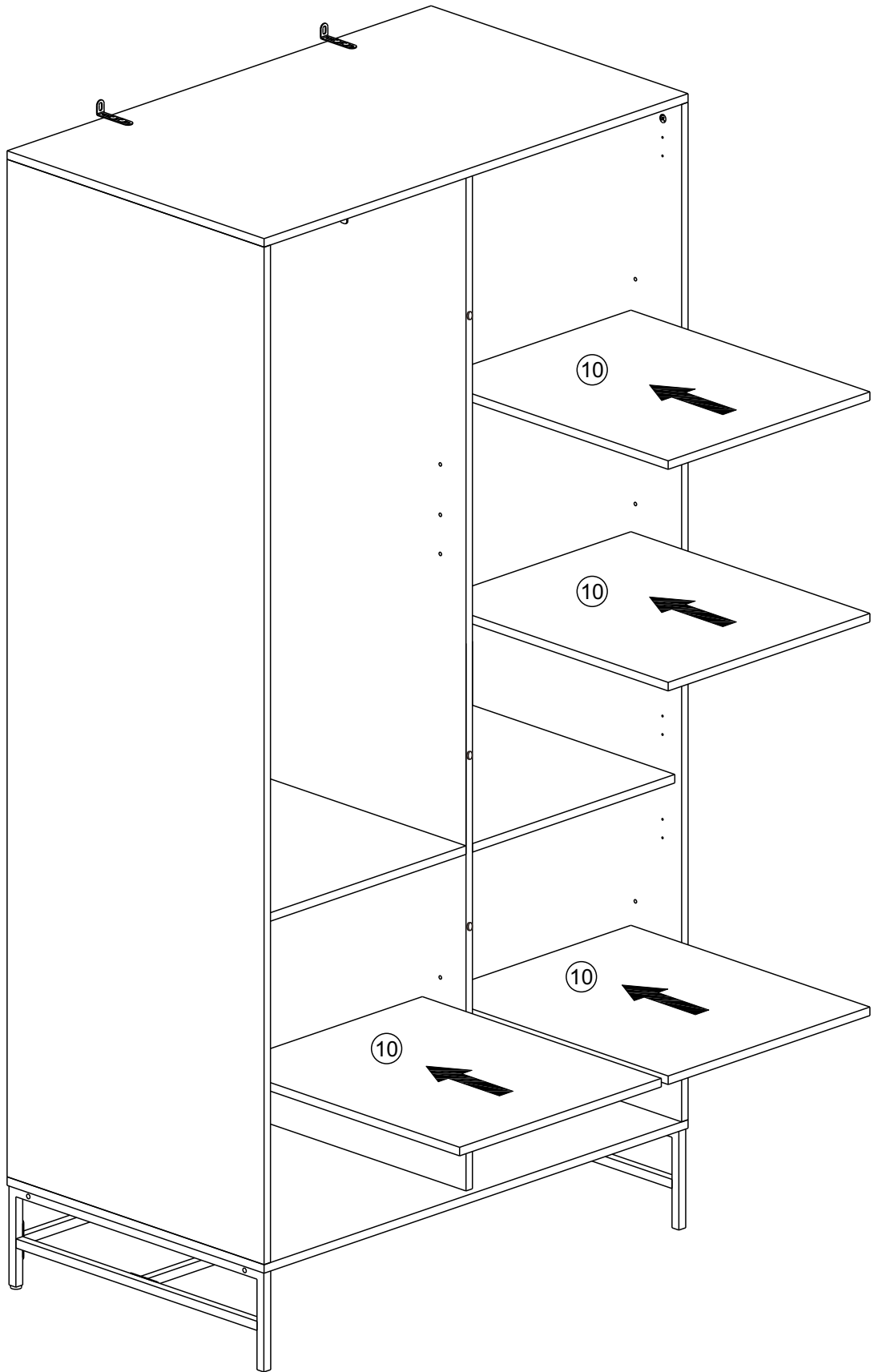


22

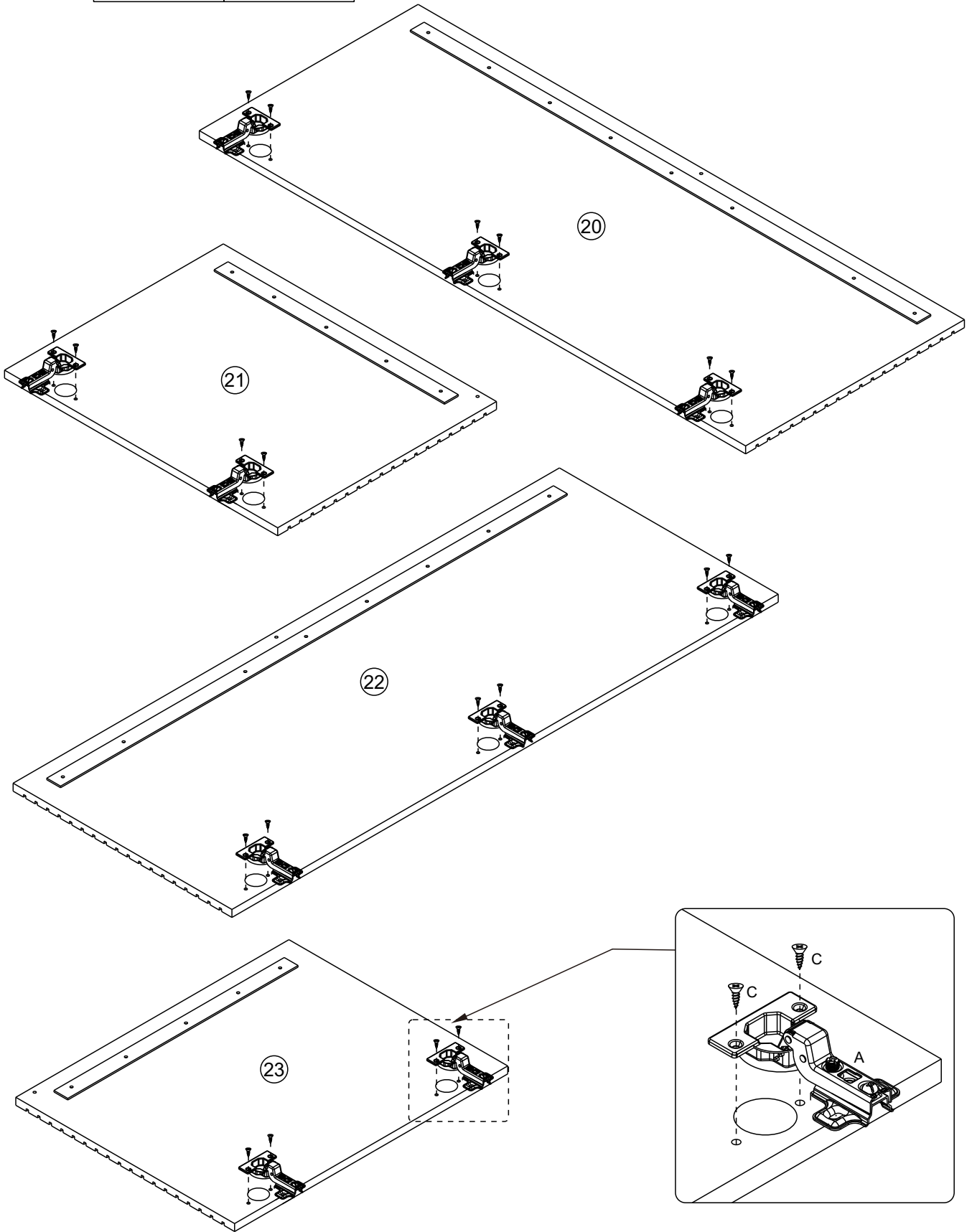
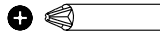
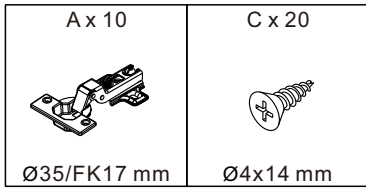


23

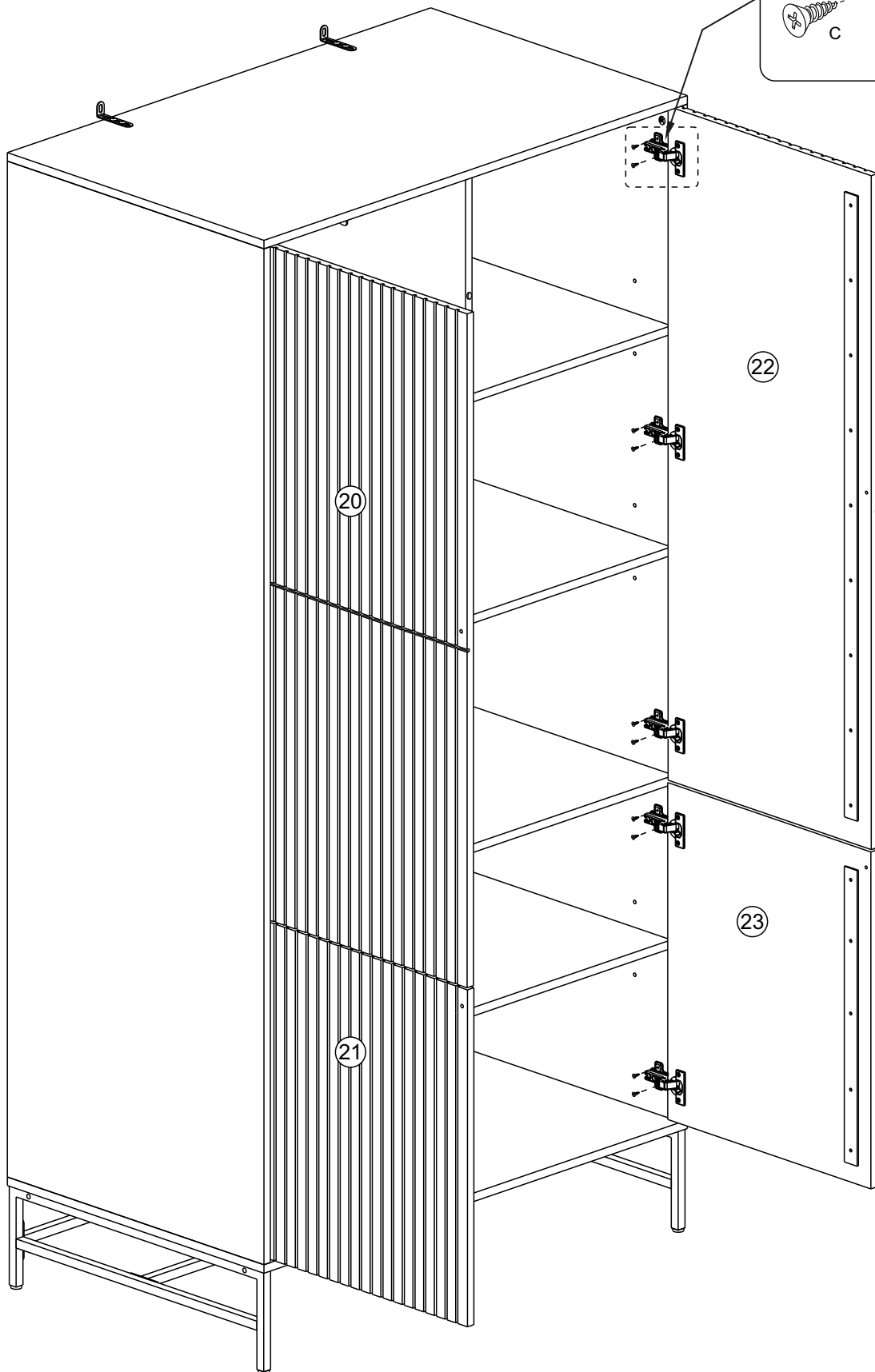
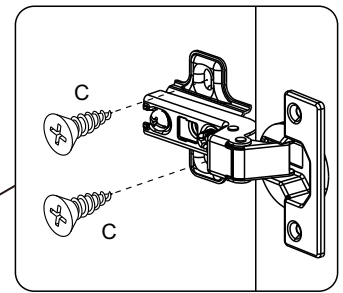
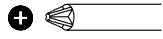
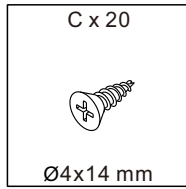




25



26



27

