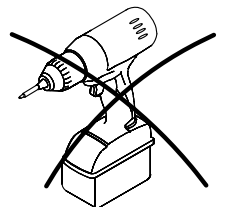
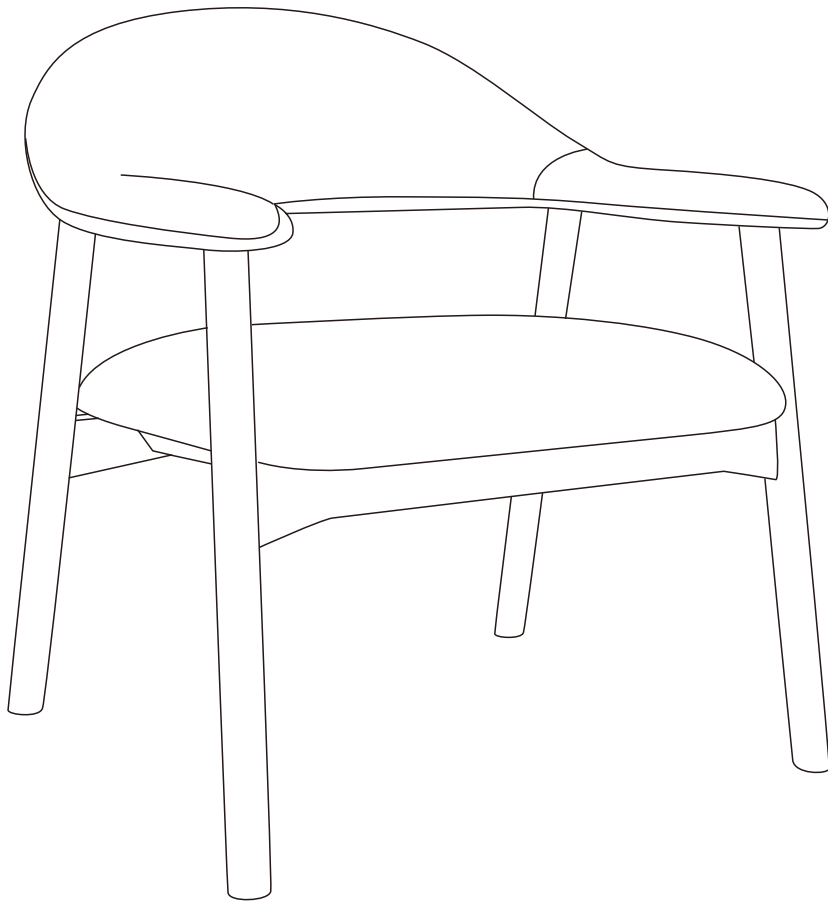
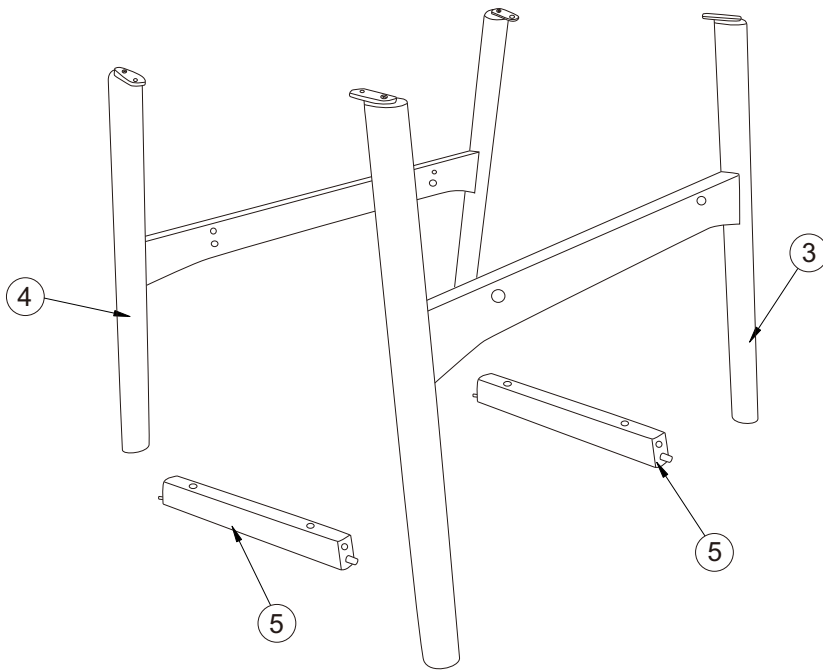
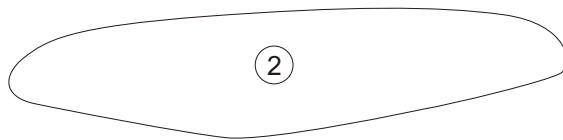
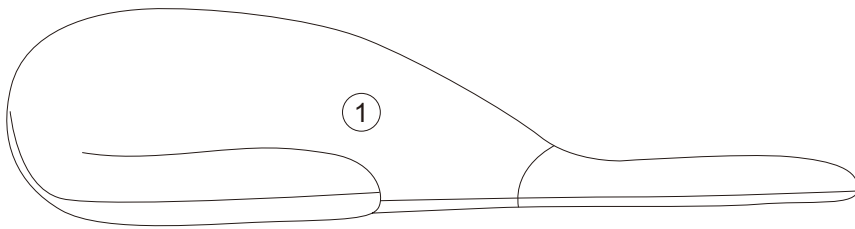
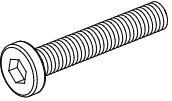
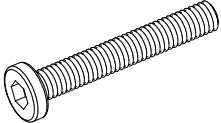
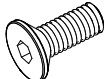

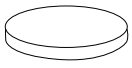
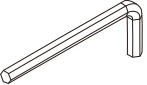



ADDI

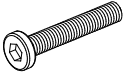




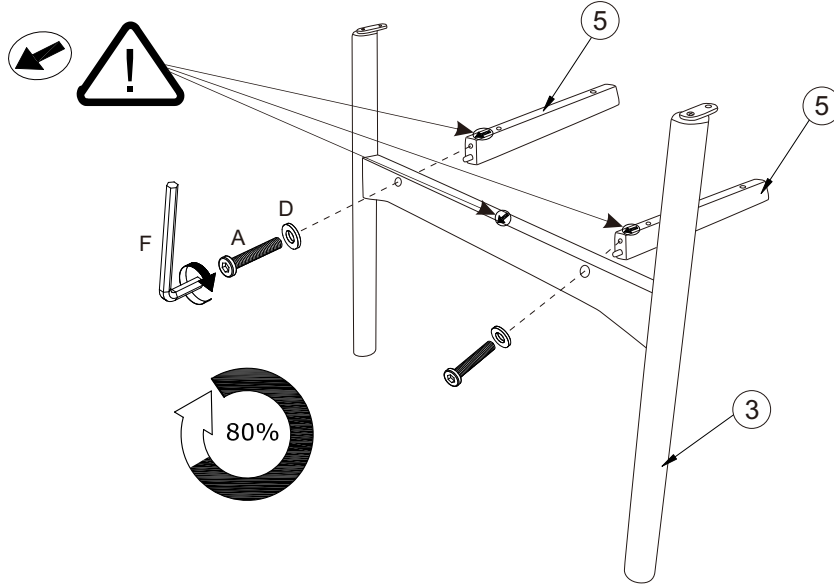
			✓
①	1	640x710x230	
②	1	590x580x85	
③	1	575x680x60	
④	1	580x680x60	
⑤	2	415x28x45	



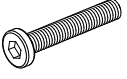


<p>A x 4</p>  <p>M6x35 mm</p>	<p>B x 4</p>  <p>M6x45 mm</p>	<p>C x 4</p>  <p>M6x16 mm</p>	<p>D x 8</p>  <p>Ø6/Ø13 mm</p>	<p>E x 4</p>  <p>Ø30x5 mm</p>
<p>F x 1</p>  <p>5 mm</p>	<p>G x 1</p>  <p>4 mm</p>			

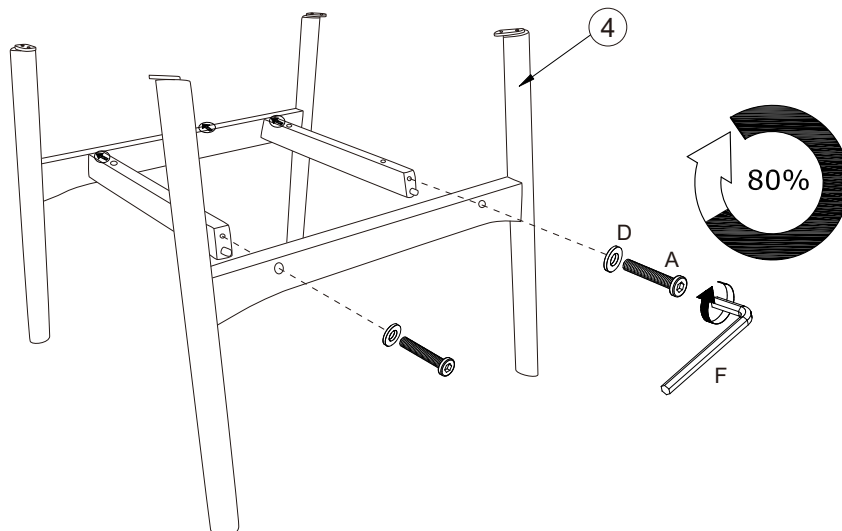
1

A x 2  M6x35 mm	D x 2  Ø6/Ø13 mm	F x 1  5 mm
--------------------------------------------------------------------------------------------------------	---------------------------------------------------------------------------------------------------------	----------------------------------------------------------------------------------------------------

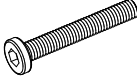


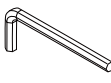


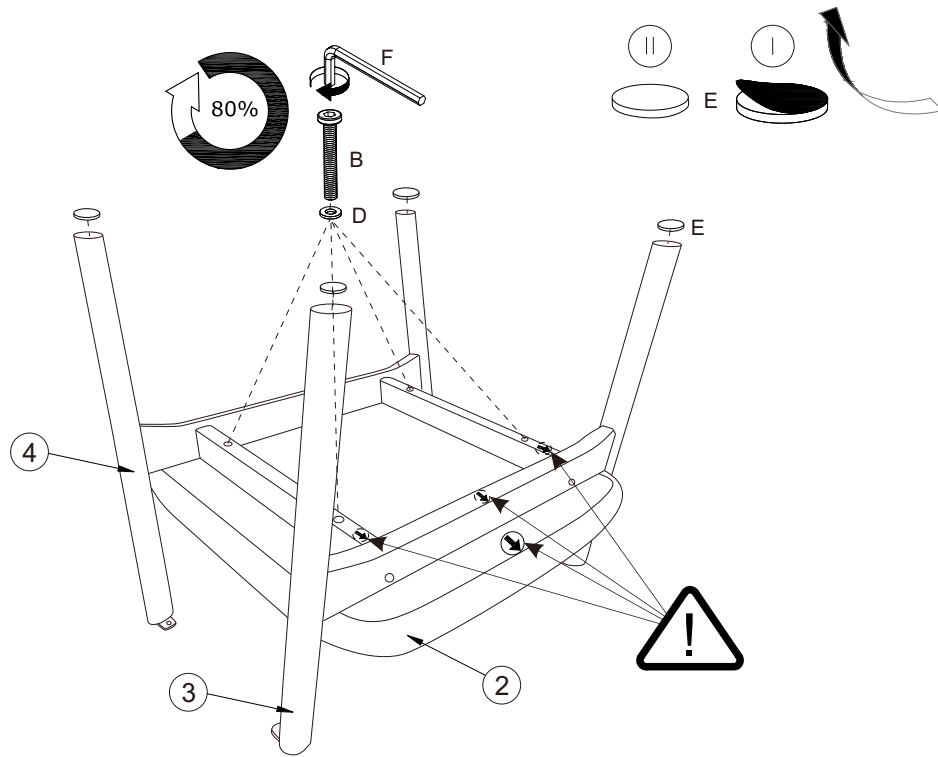
2

A x 2  M6x35 mm	D x 2  Ø6/Ø13 mm	F x 1  5 mm
----------------------------------------------------------------------------------------------------------	-----------------------------------------------------------------------------------------------------------	------------------------------------------------------------------------------------------------------

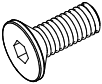



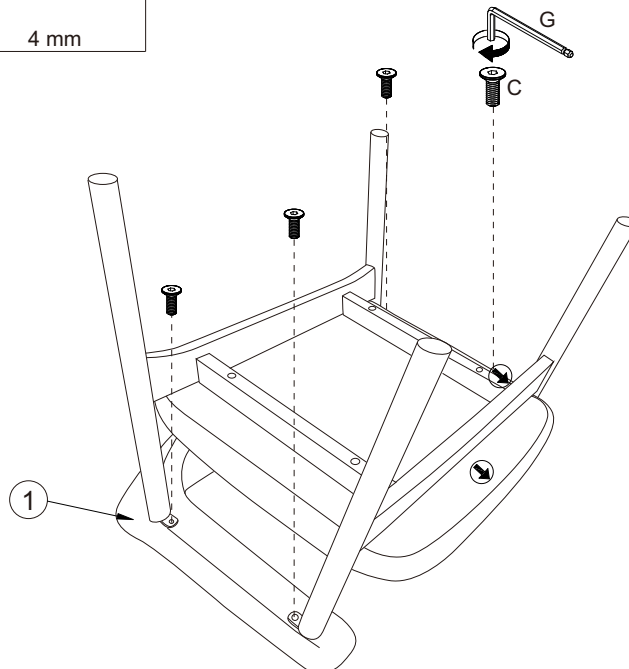
3

B x 4  M6x45 mm	D x 4  Ø6/Ø13 mm	E x 4  Ø30x5 mm	F x 1  5 mm
--------------------------------------------------------------------------------------------------------	---------------------------------------------------------------------------------------------------------	--------------------------------------------------------------------------------------------------------	----------------------------------------------------------------------------------------------------

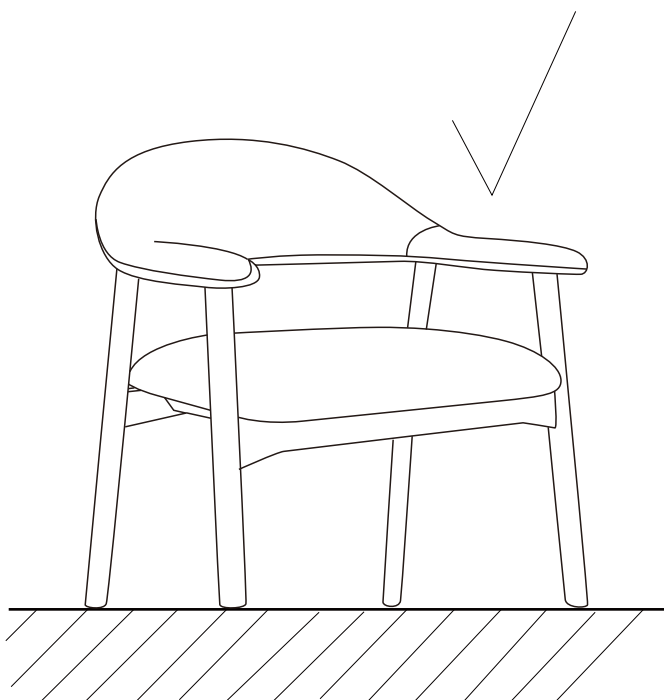
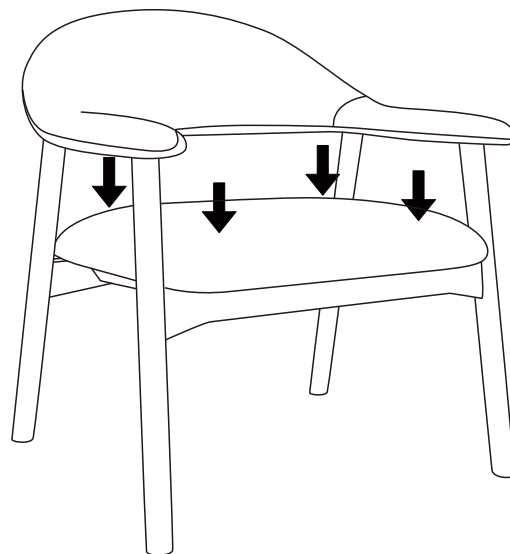
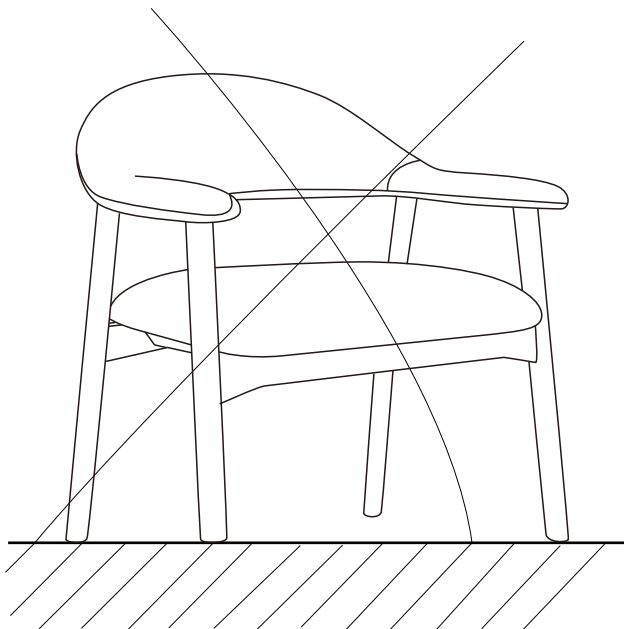


4

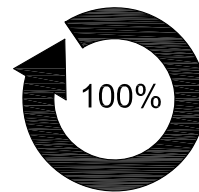
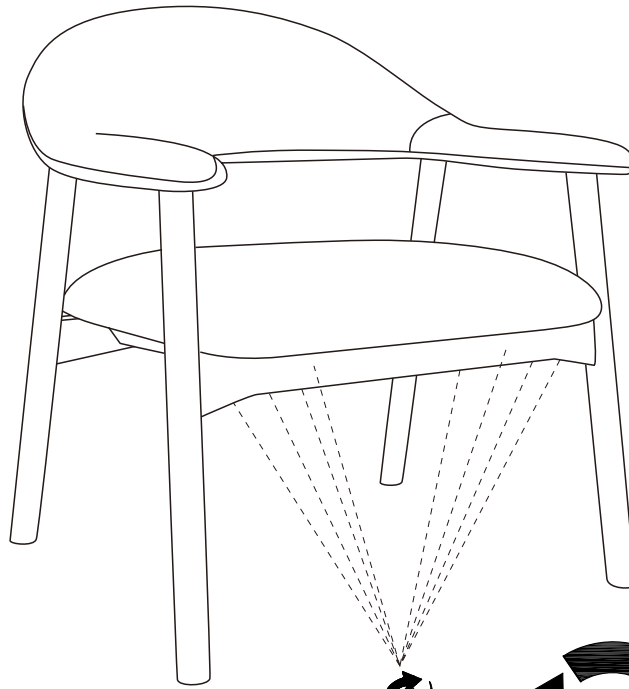
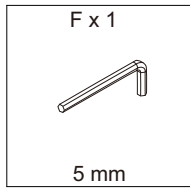
C x 4  M6x16 mm	G x 1  4 mm
----------------------------------------------------------------------------------------------------------	------------------------------------------------------------------------------------------------------



5



6



A x 4
B x 4

7

