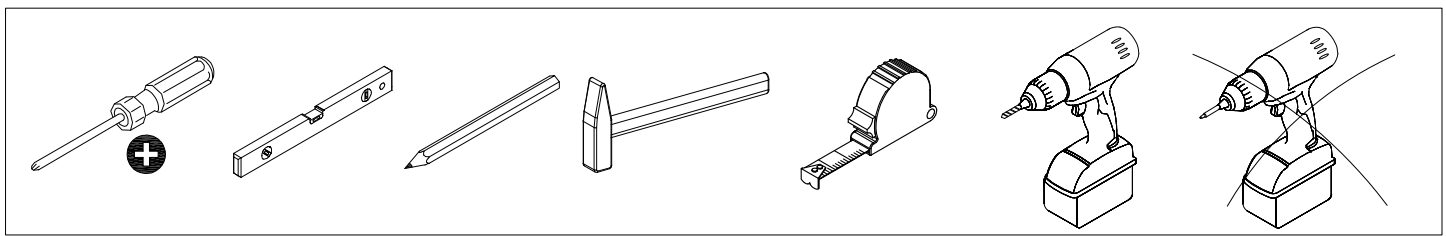
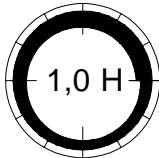
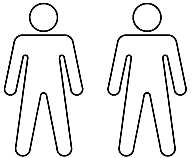
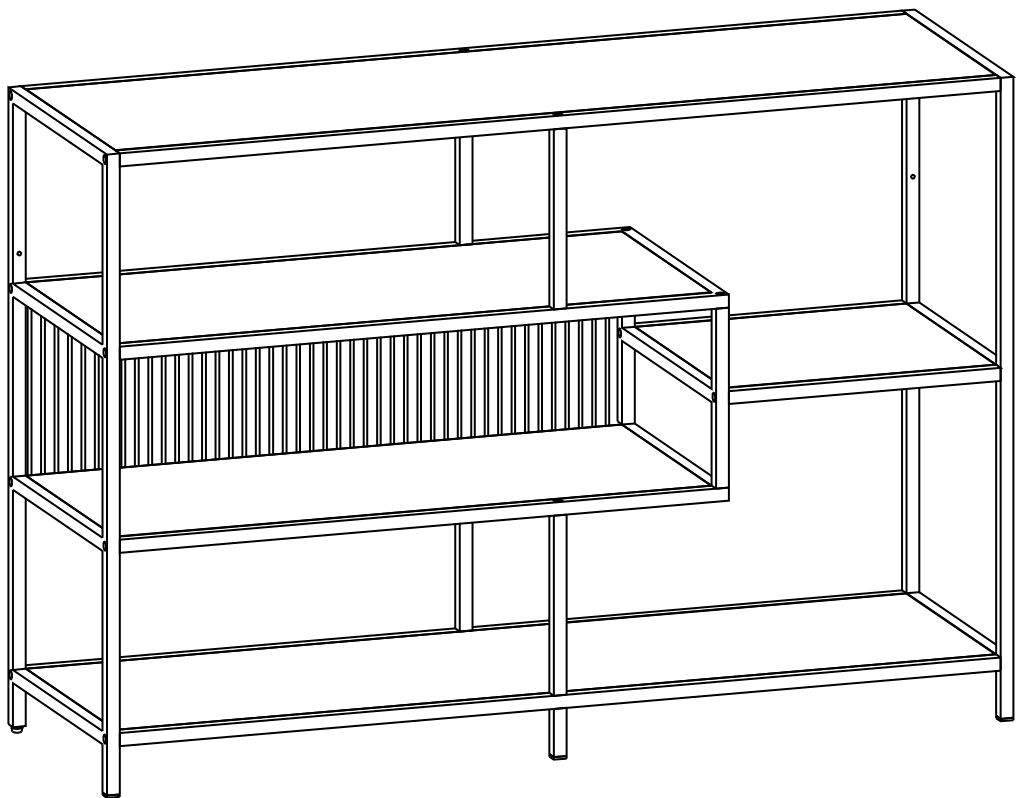
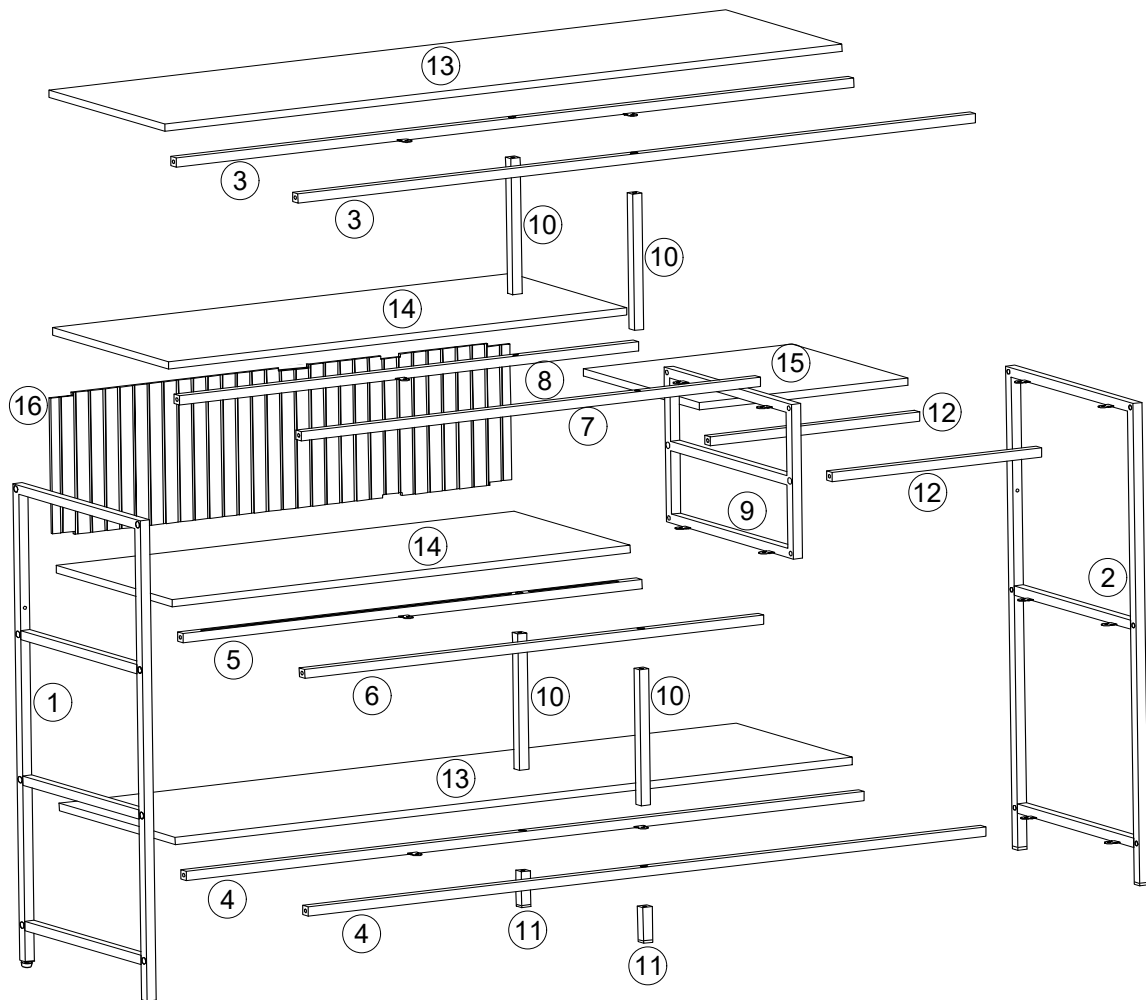


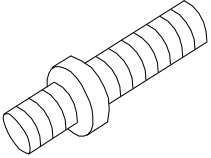
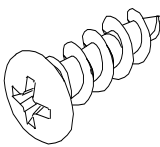
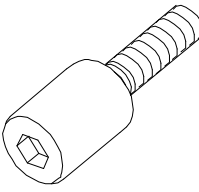
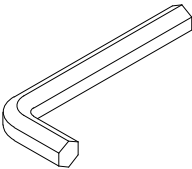
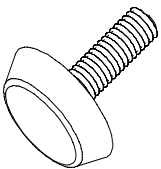
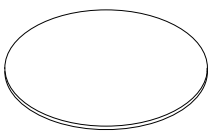
SEAFORD



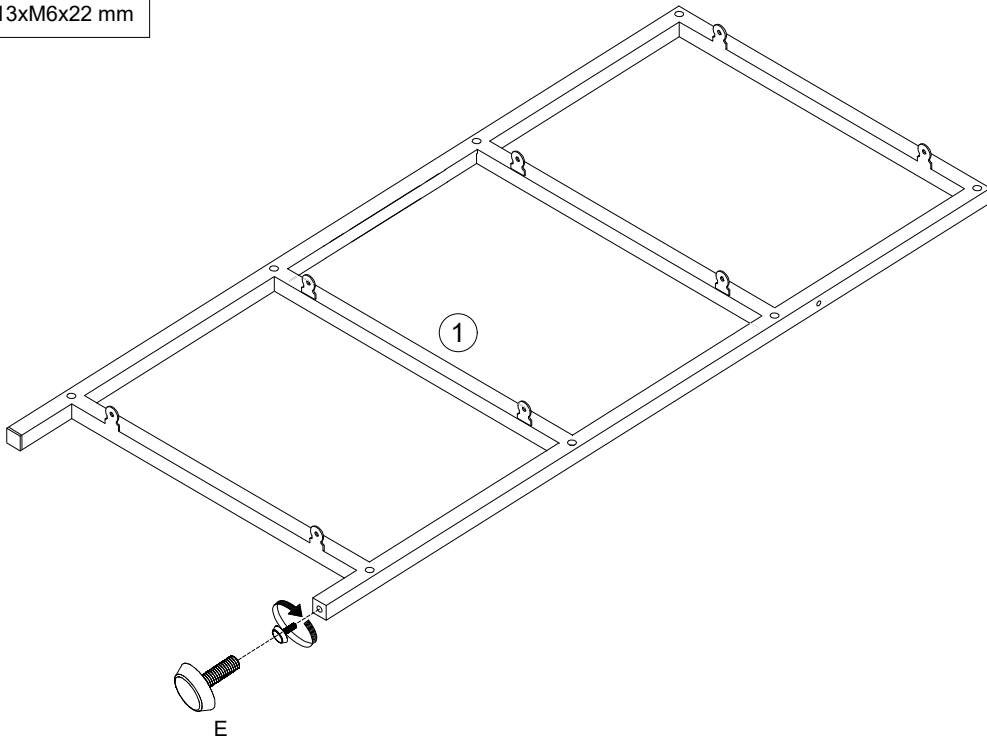
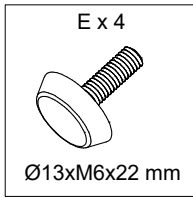
			✓
①	1	788x350x35	
②	1	788x350x35	
③	2	1108x35x35	
④	2	1108x35x35	
⑤	1	750.5x35x15	
⑥	1	750.5x35x15	
⑦	1	750.5x35x15	
⑧	1	750.5x35x15	

			✓
⑨	1	350x251x55	
⑩	4	221x15x15	
⑪	1	60x15x15	
⑫	1	324.5x15x15	
⑬	2	1107x318x12	
⑭	2	479x318x12	
⑮	1	341x318x12	
⑯	1	750x230x4.75	

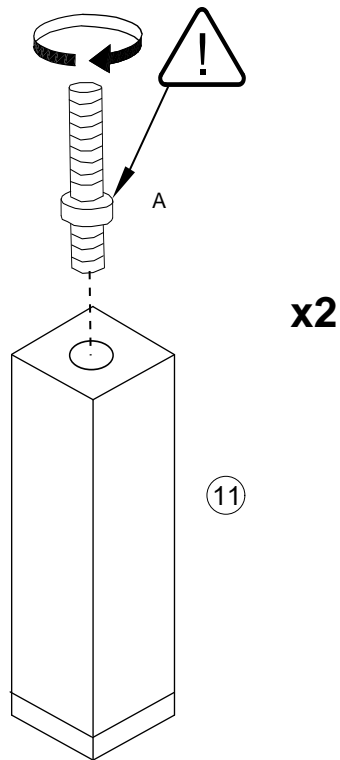
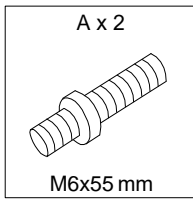


<p>A x 2</p>  <p>M6x55 mm</p>	<p>B x 32</p>  <p>Ø4x12 mm</p>	<p>C x 26</p>  <p>M6x15 mm</p>	<p>D x 1</p>  <p>4 mm</p>	<p>E x 1</p>  <p>Ø13xM6x22 mm</p>
<p>F x 23</p>  <p>Ø15 mm</p>				

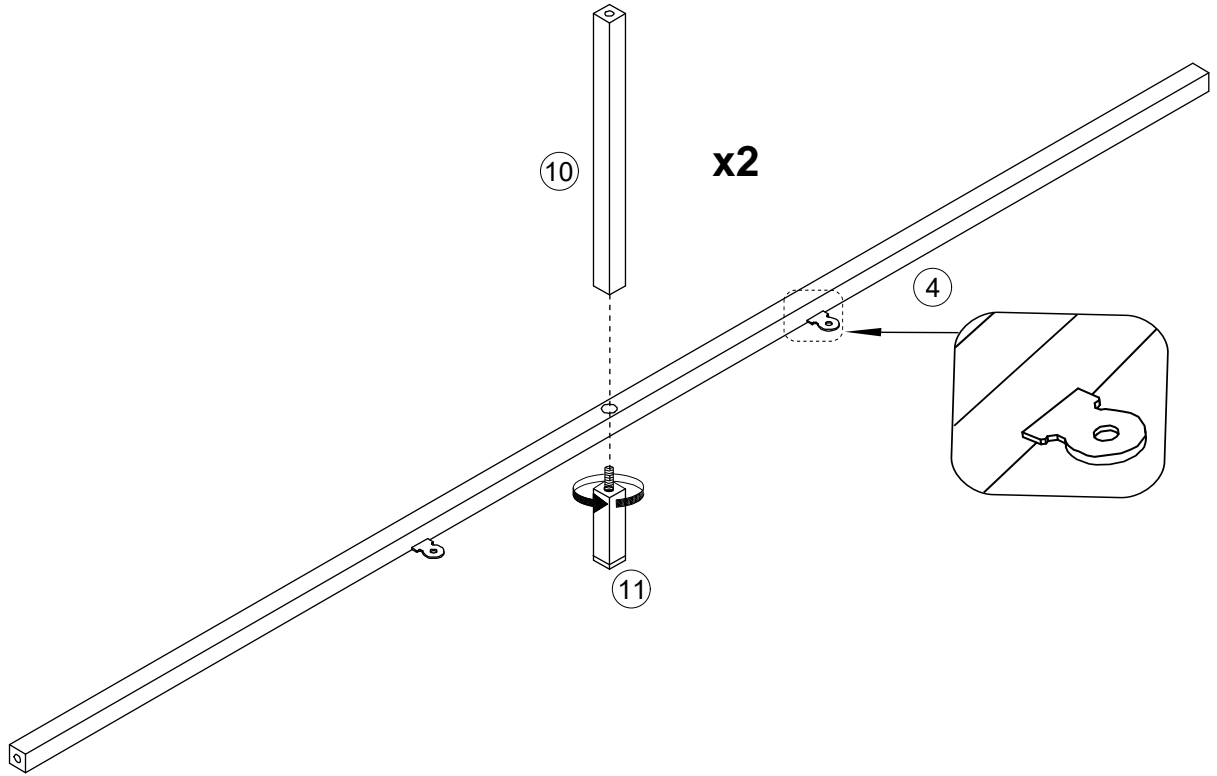
1



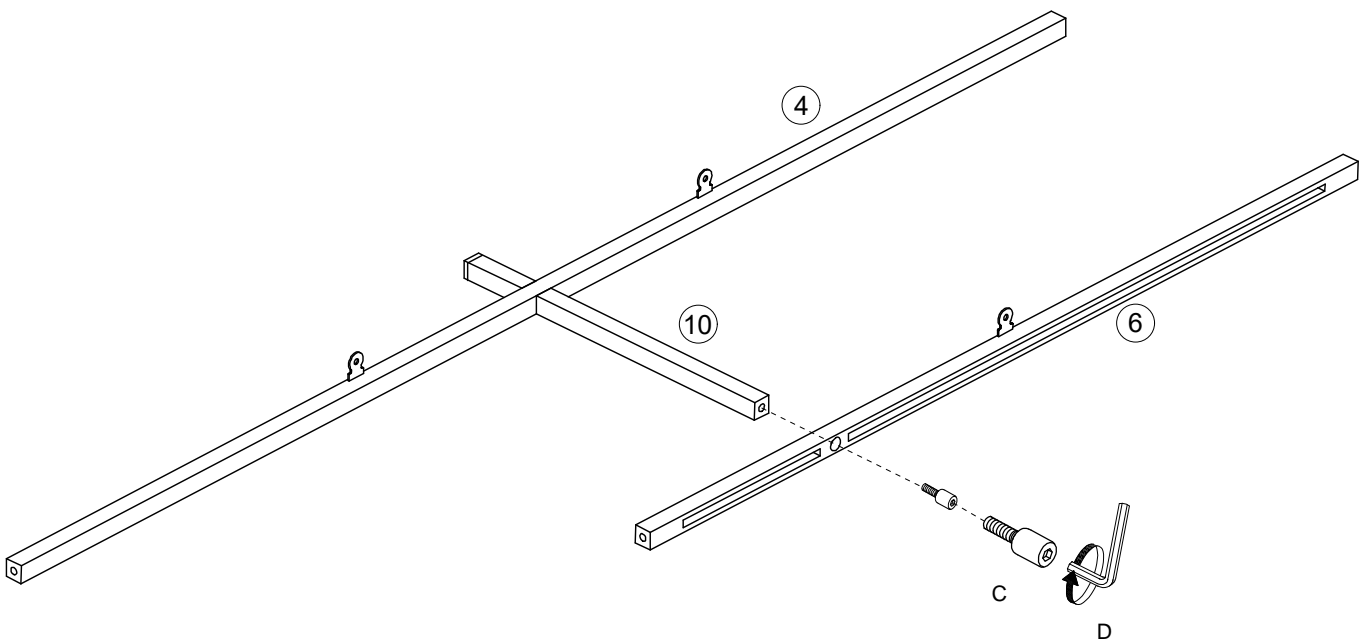
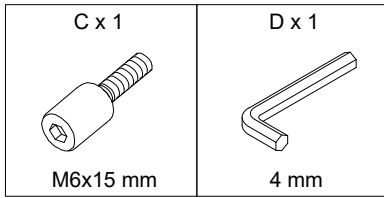
2



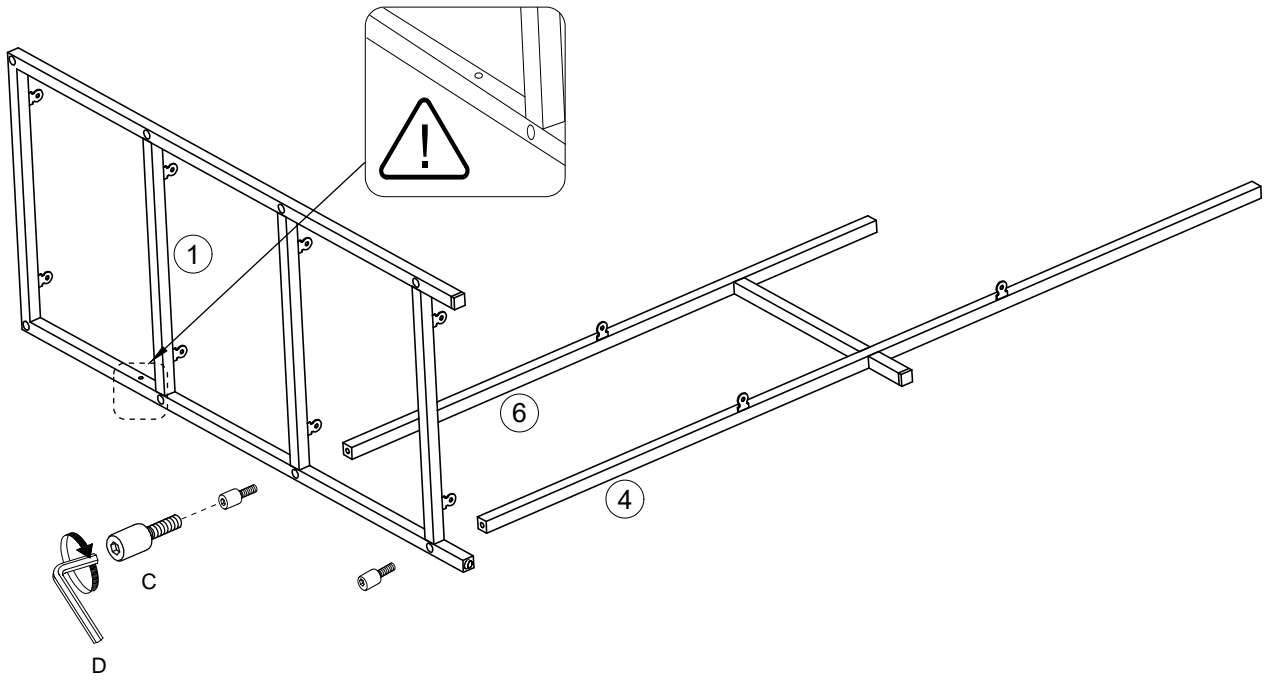
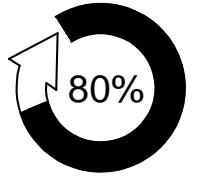
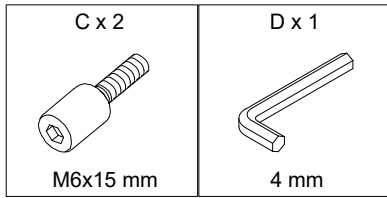
3



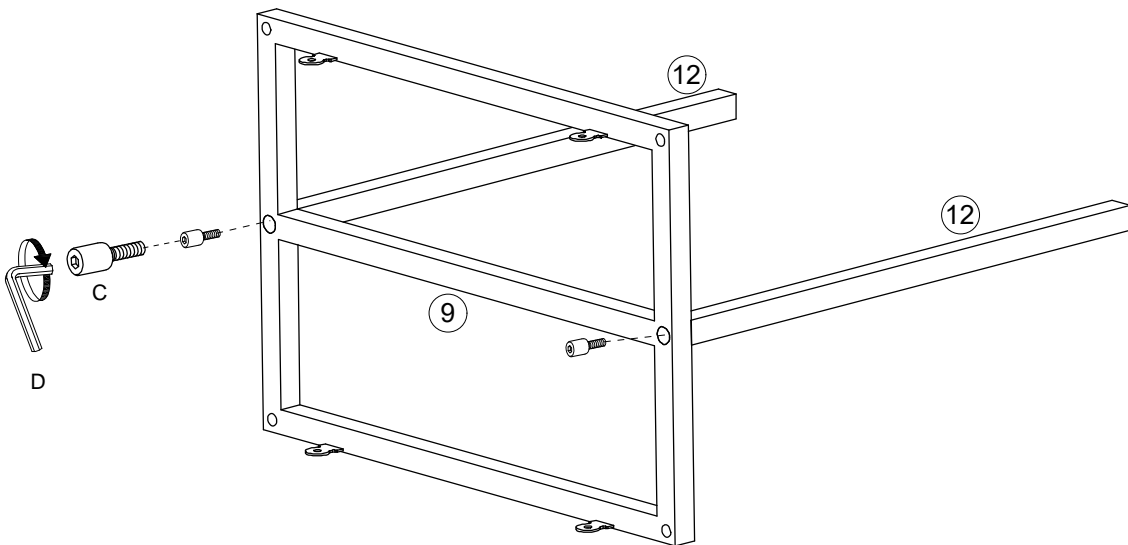
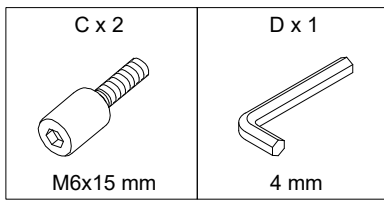
4



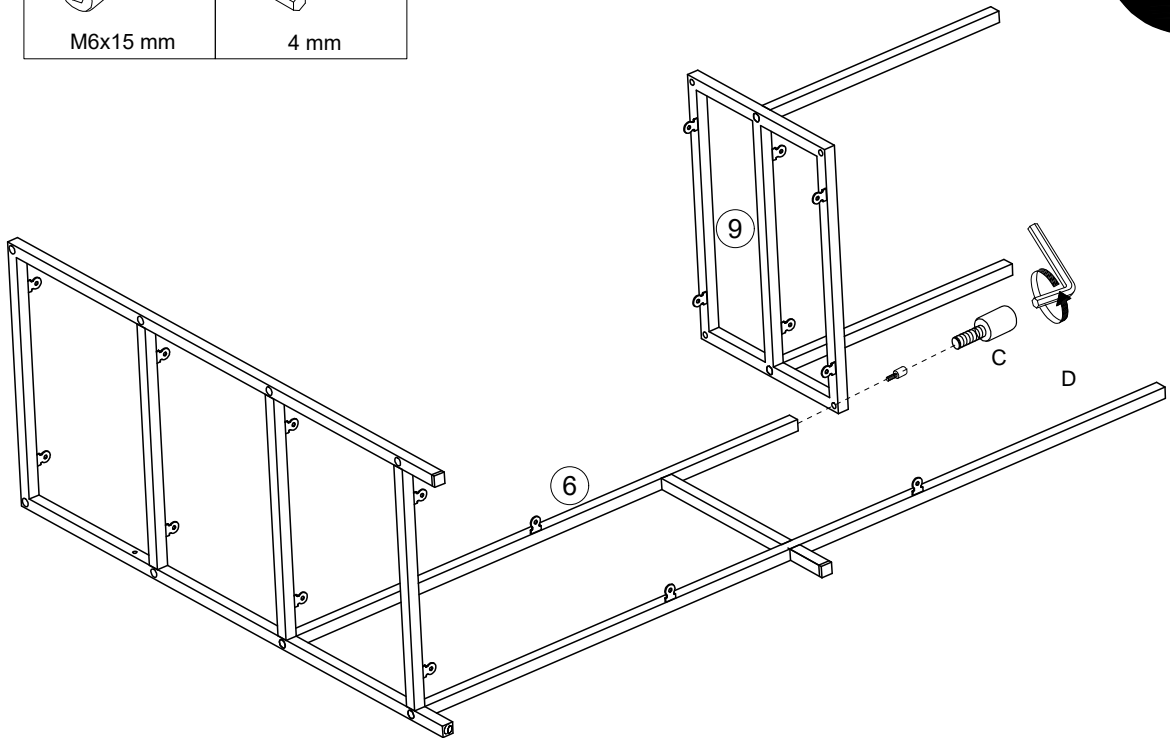
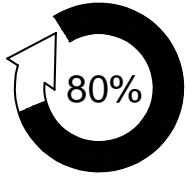
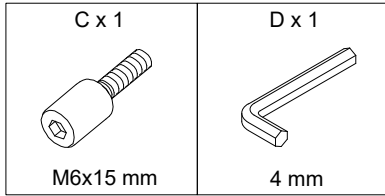
5



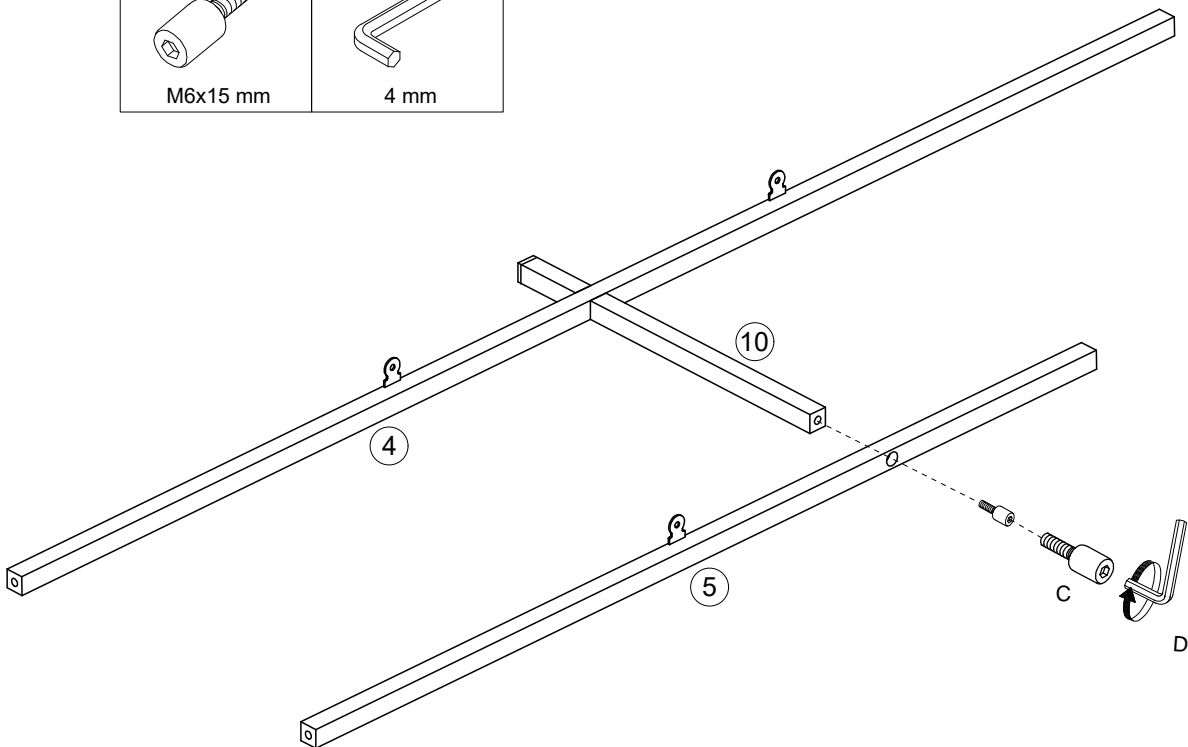
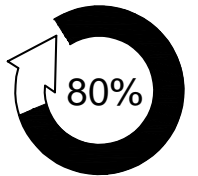
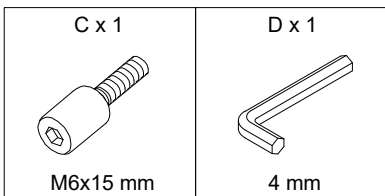
6



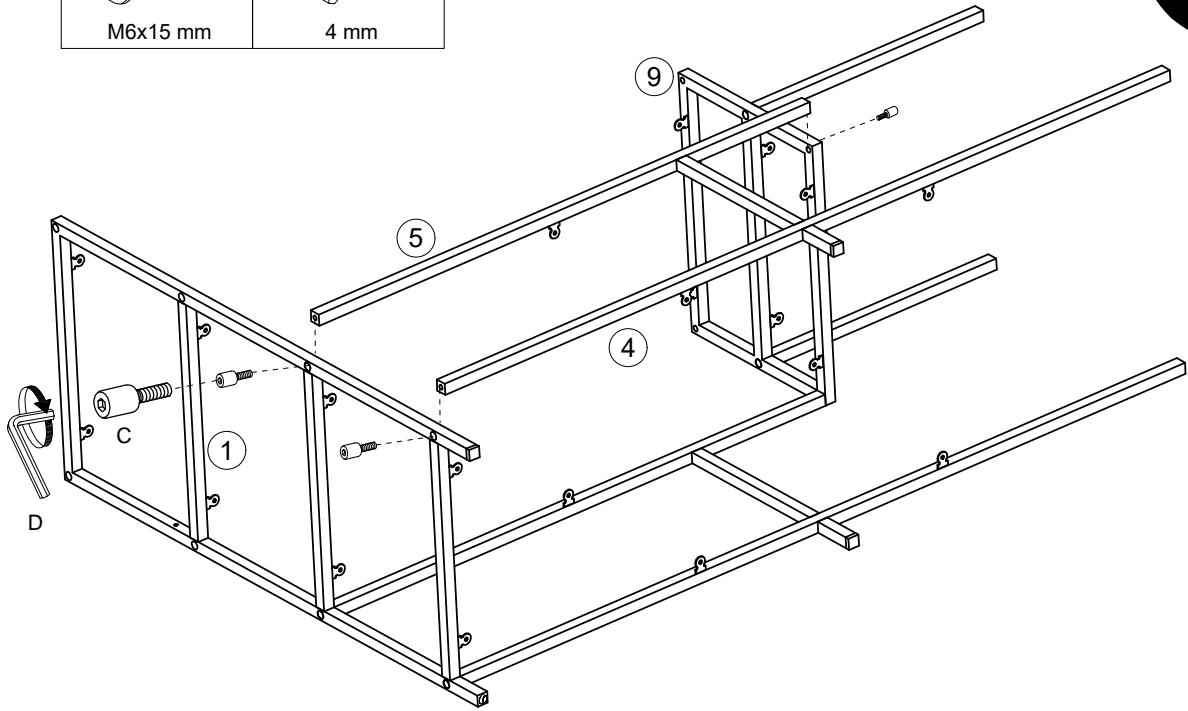
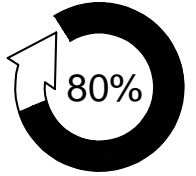
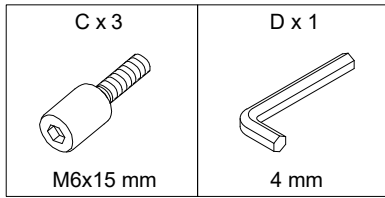
7



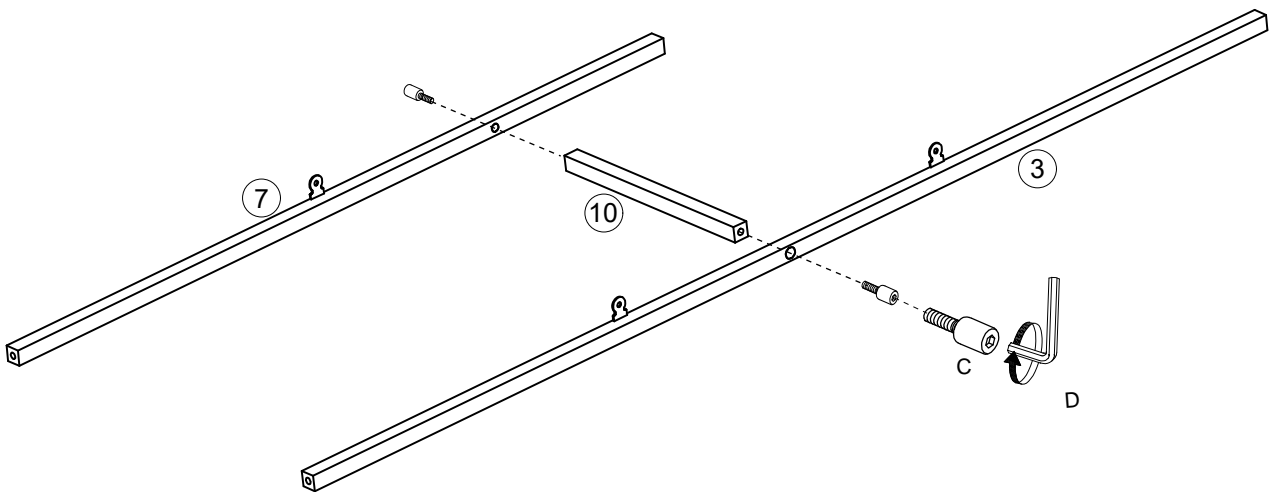
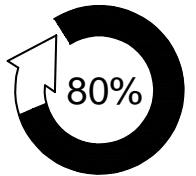
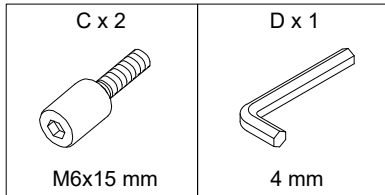
8



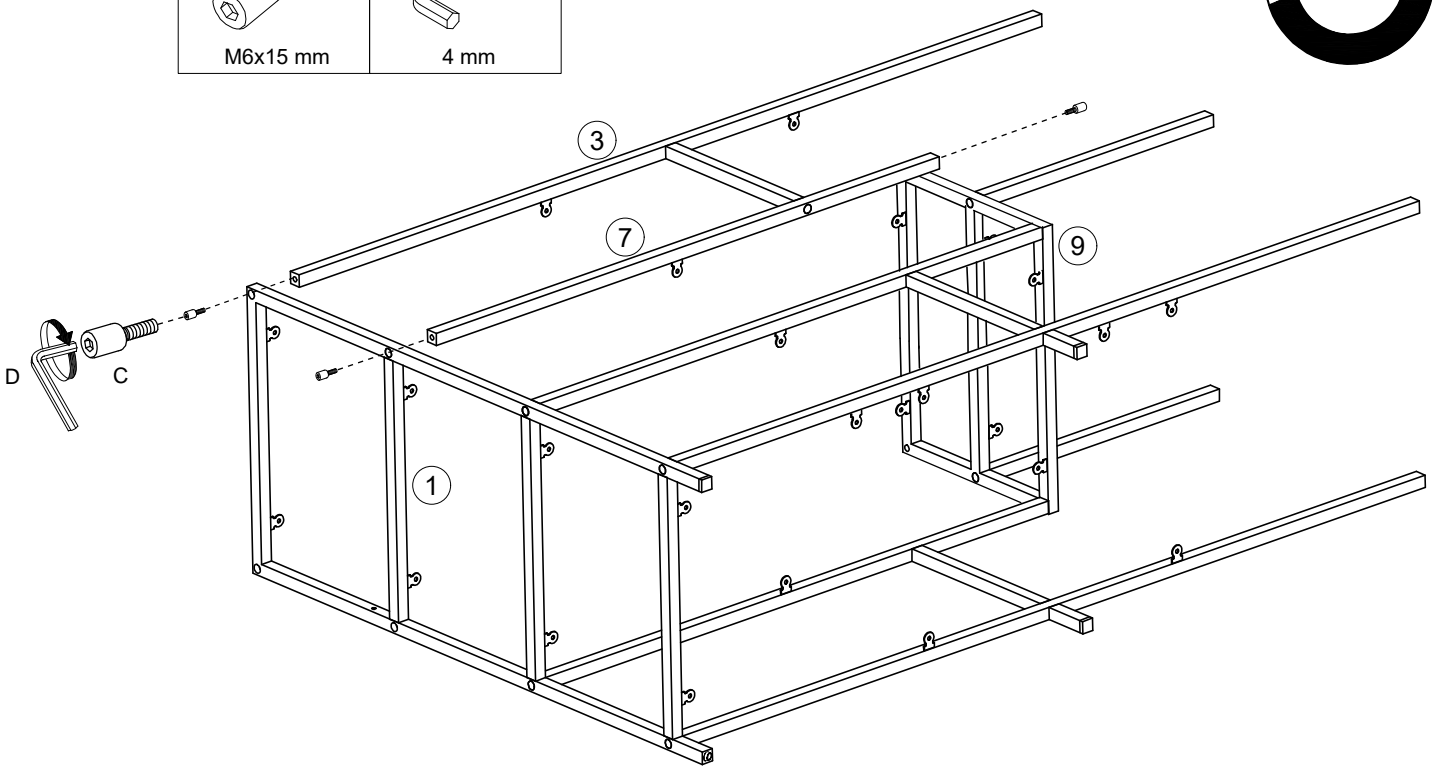
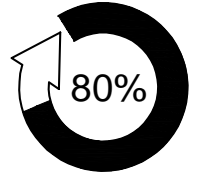
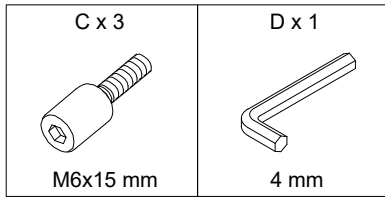
9



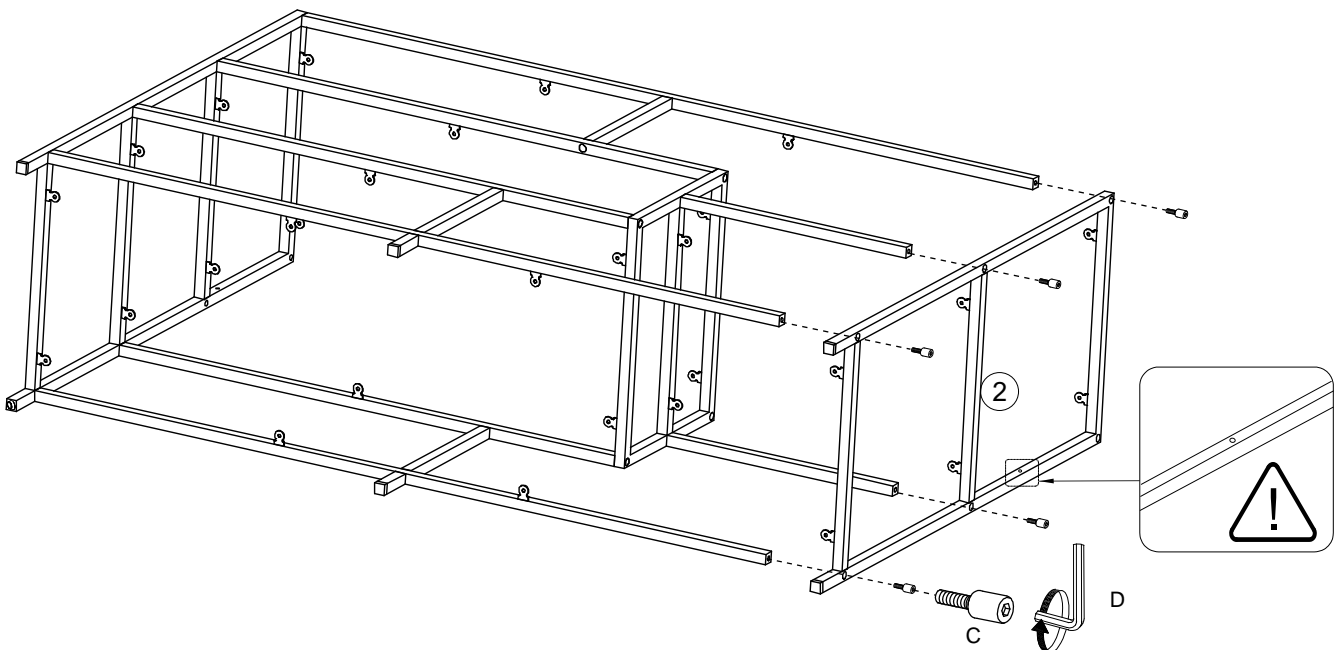
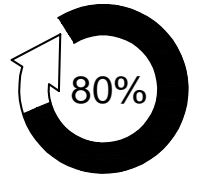
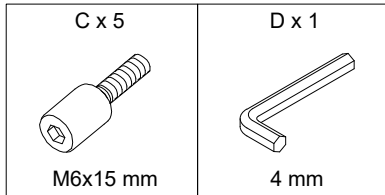
10



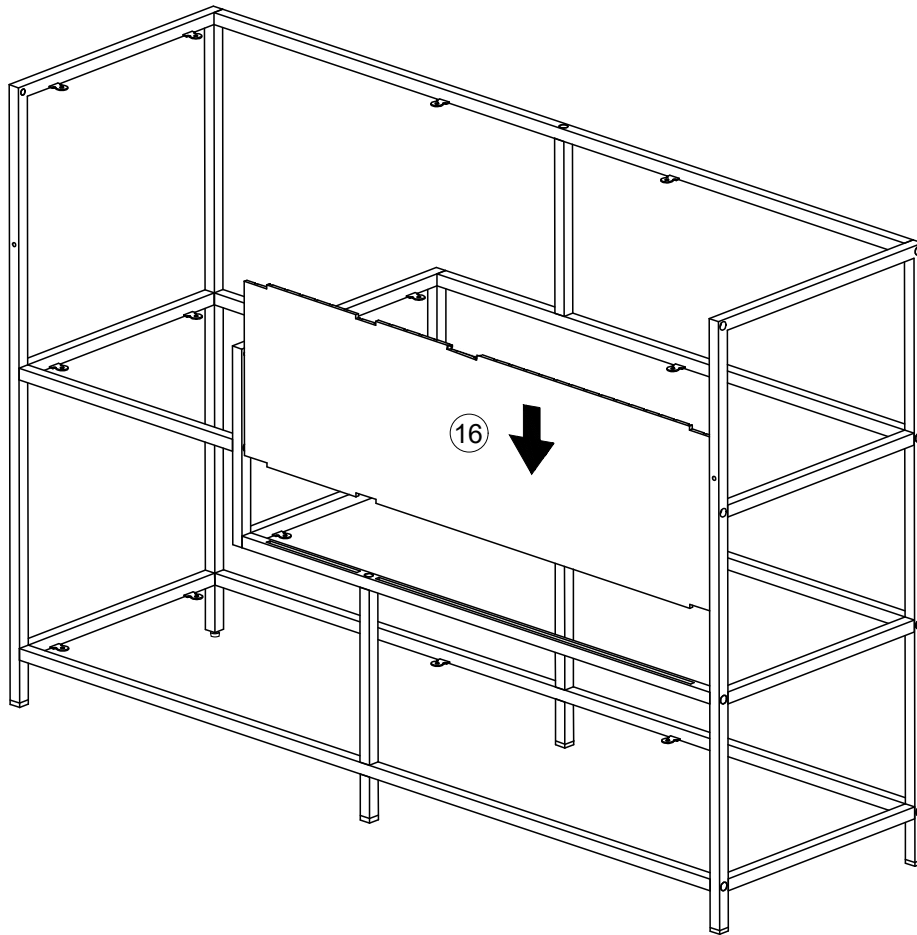
11



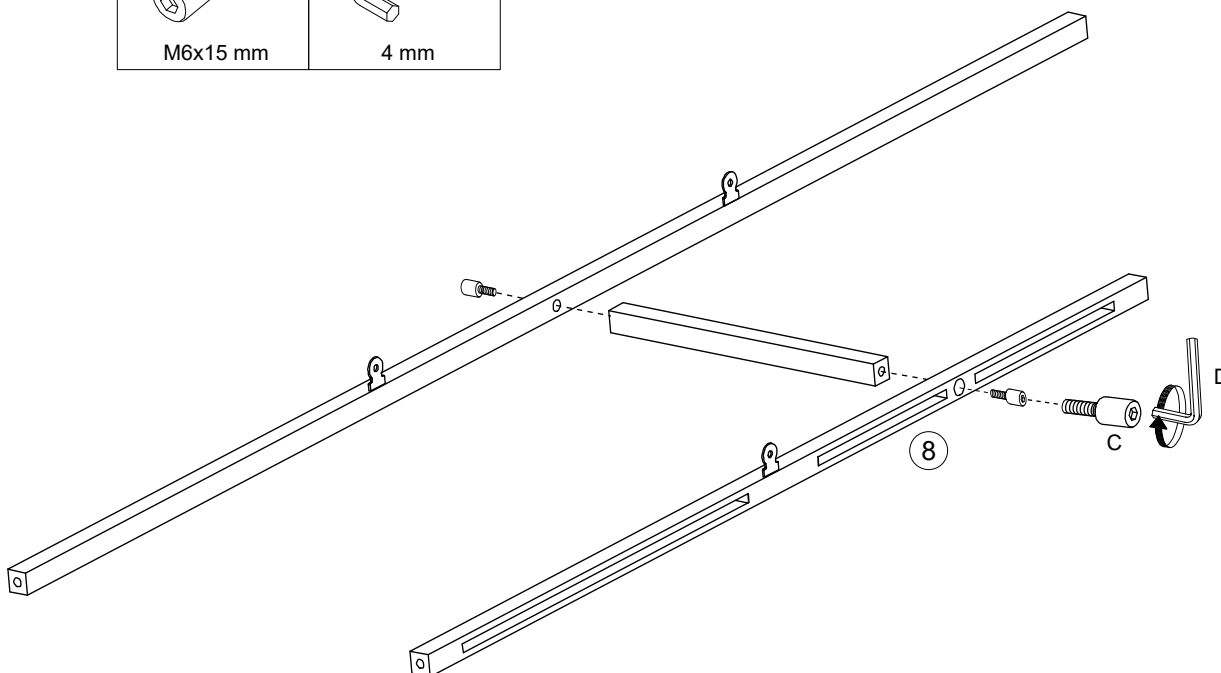
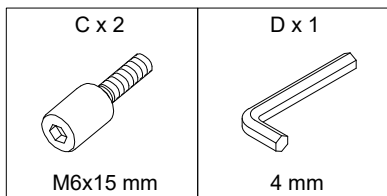
12



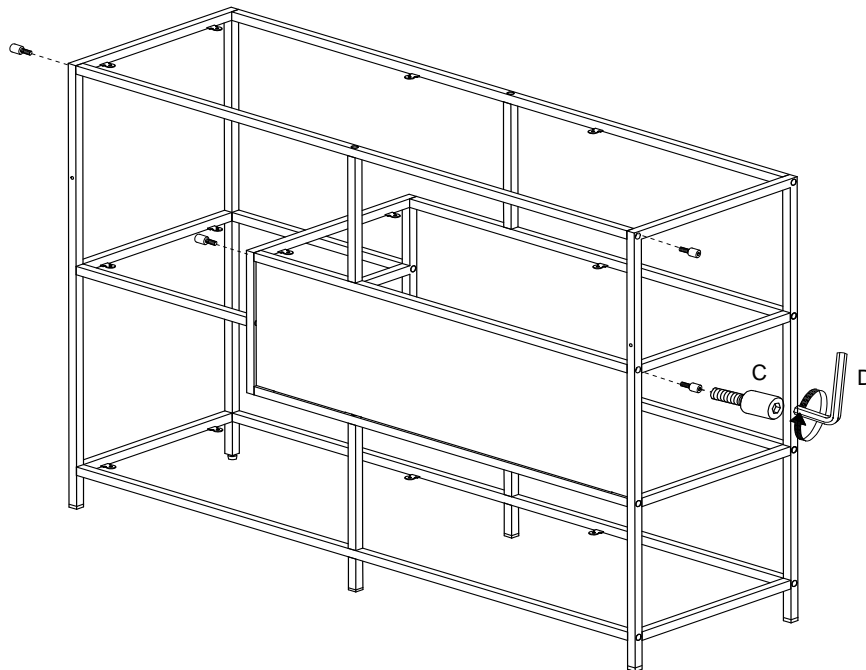
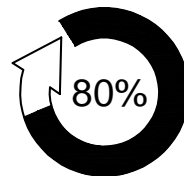
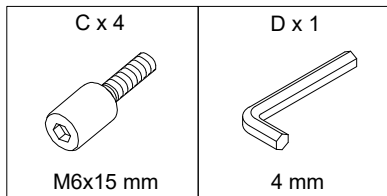
13



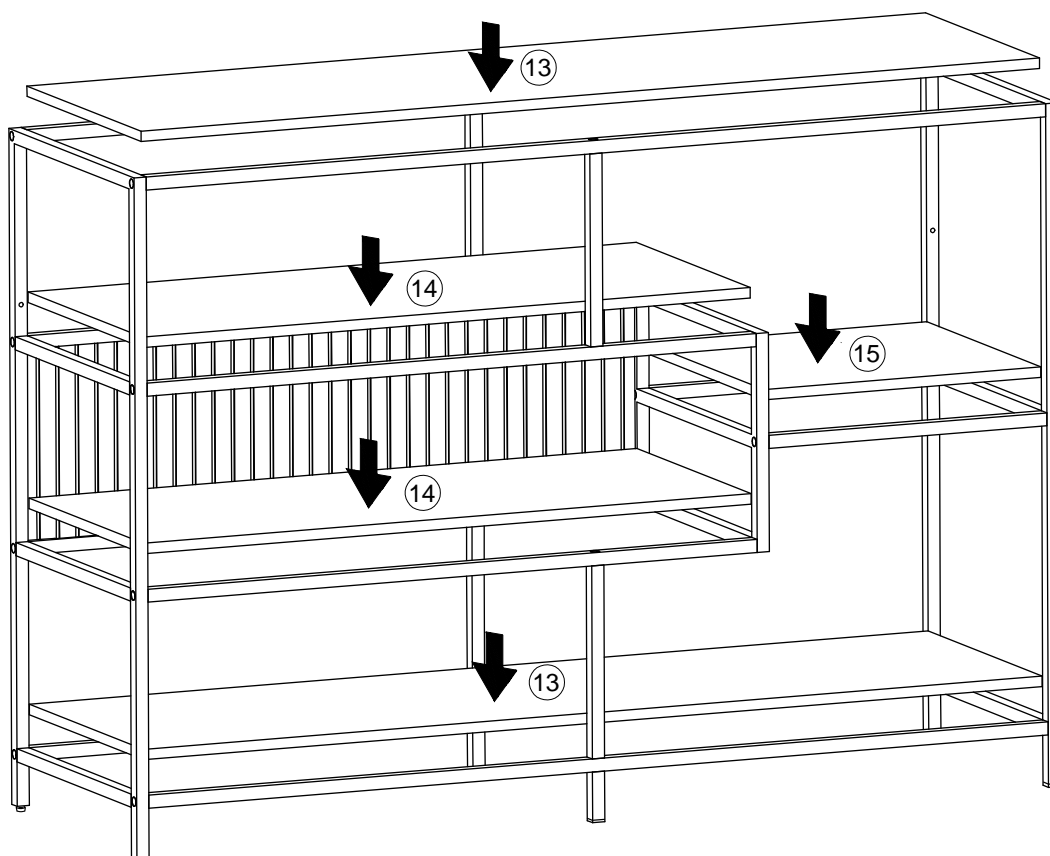
14



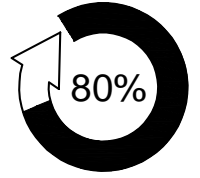
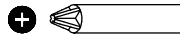
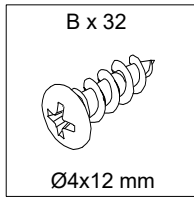
15



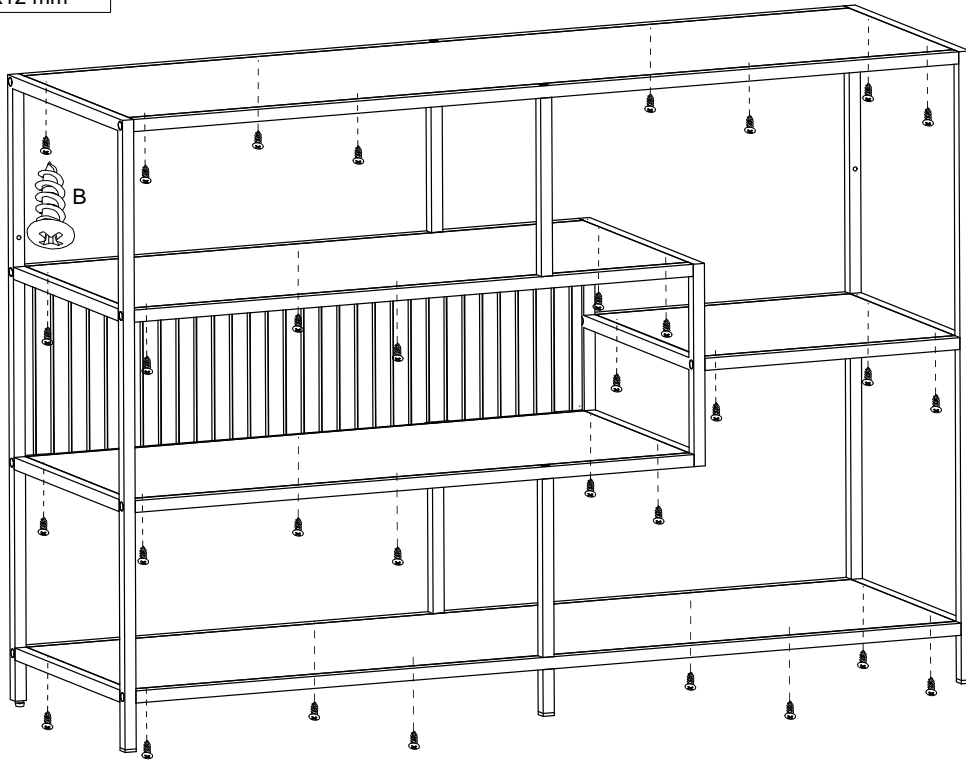
16



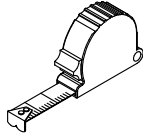
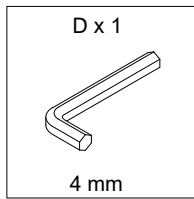
17



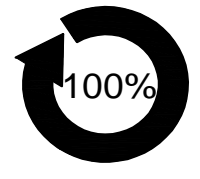
Bx32



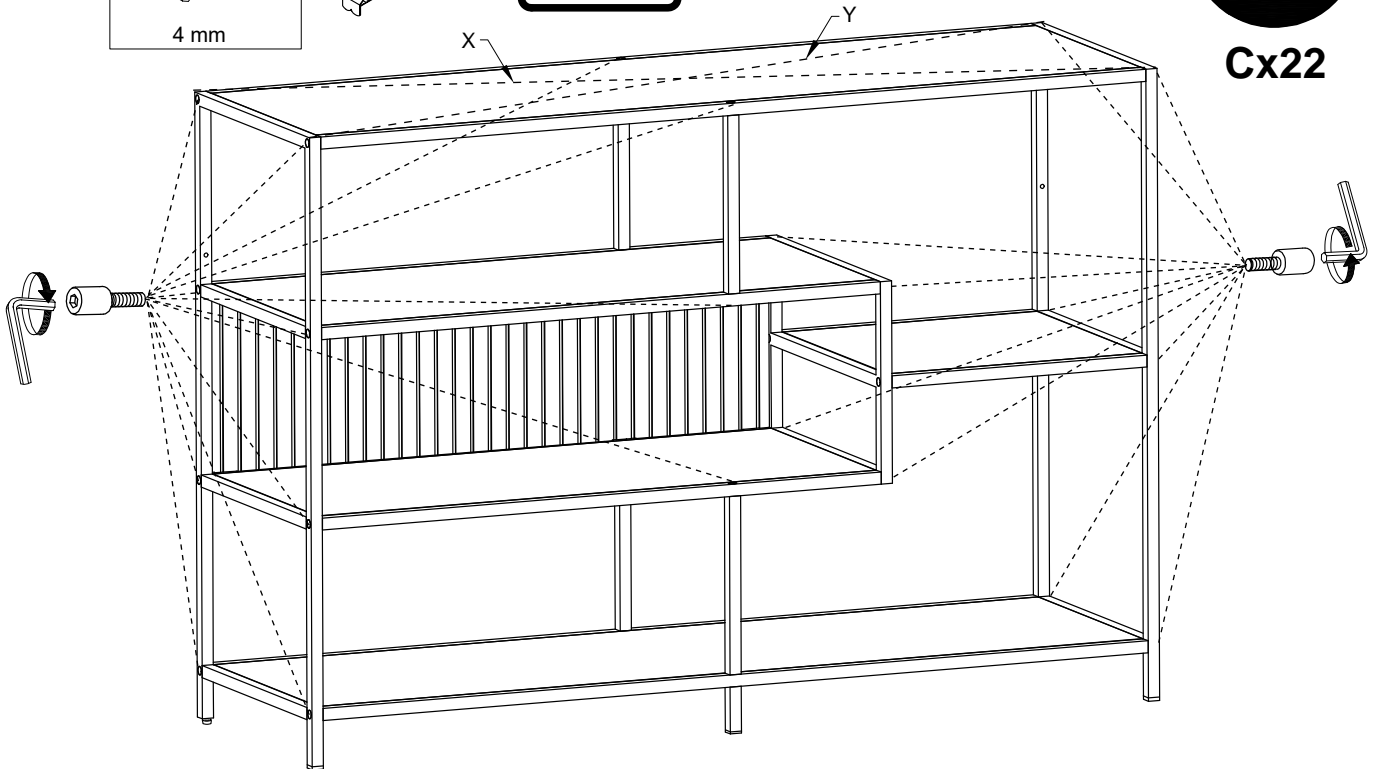
18



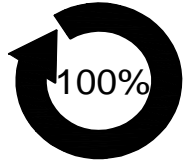
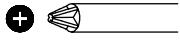
X=Y



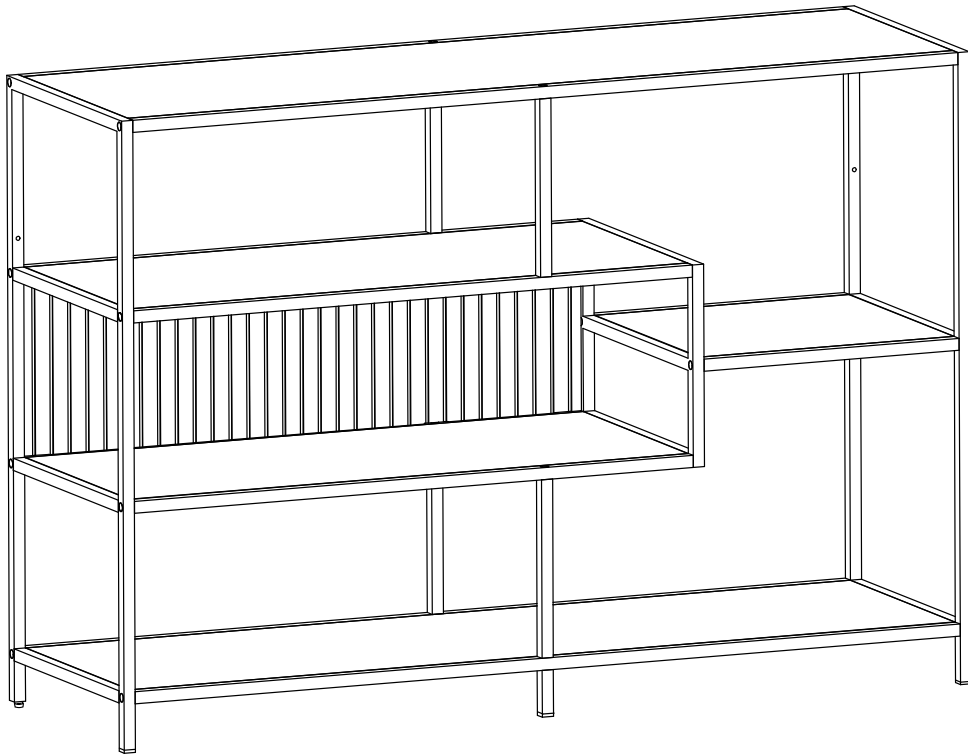
Cx22



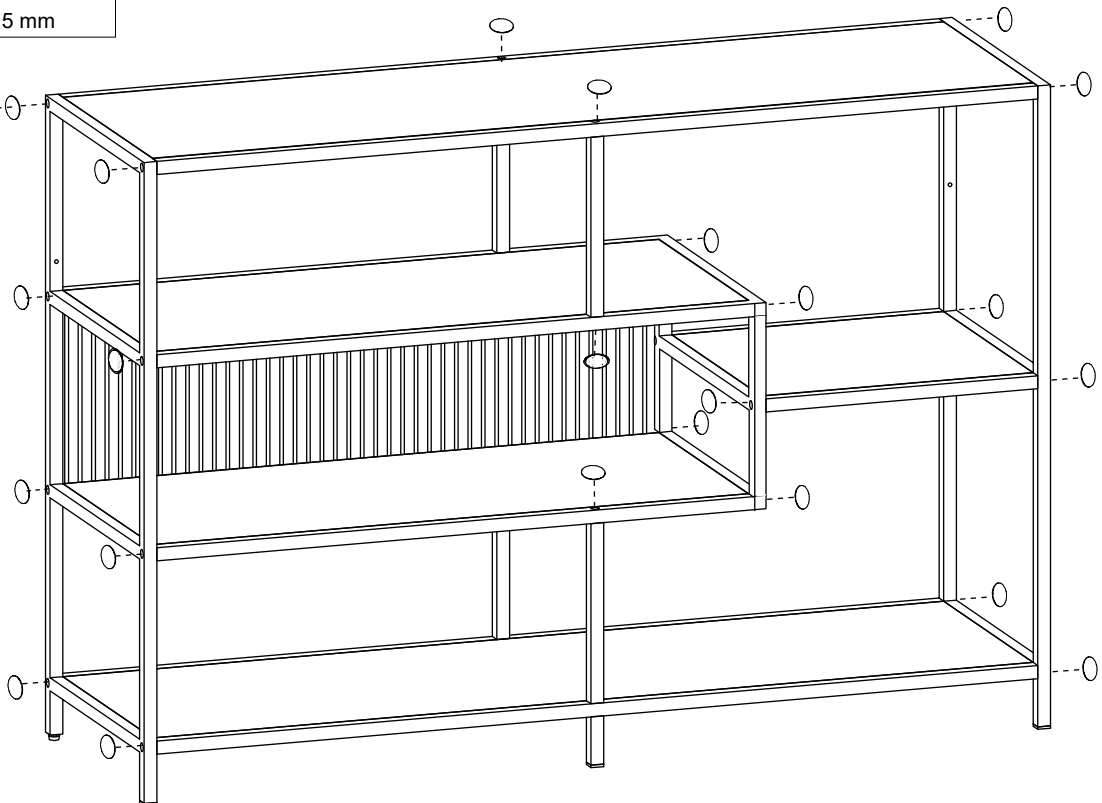
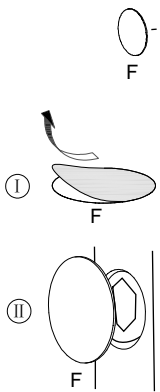
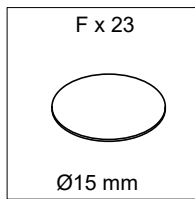
19



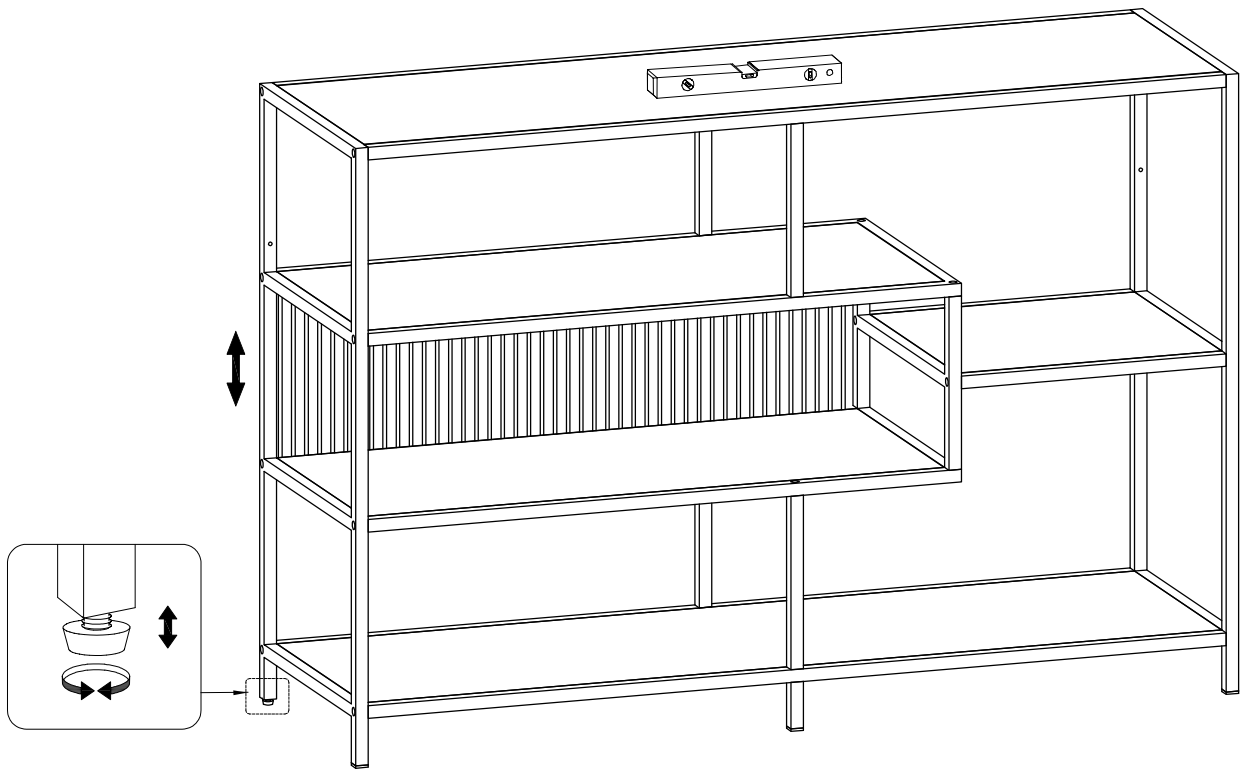
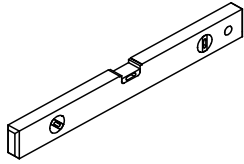
Bx32



20



21



22

