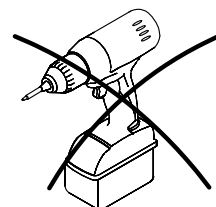
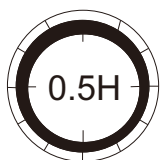
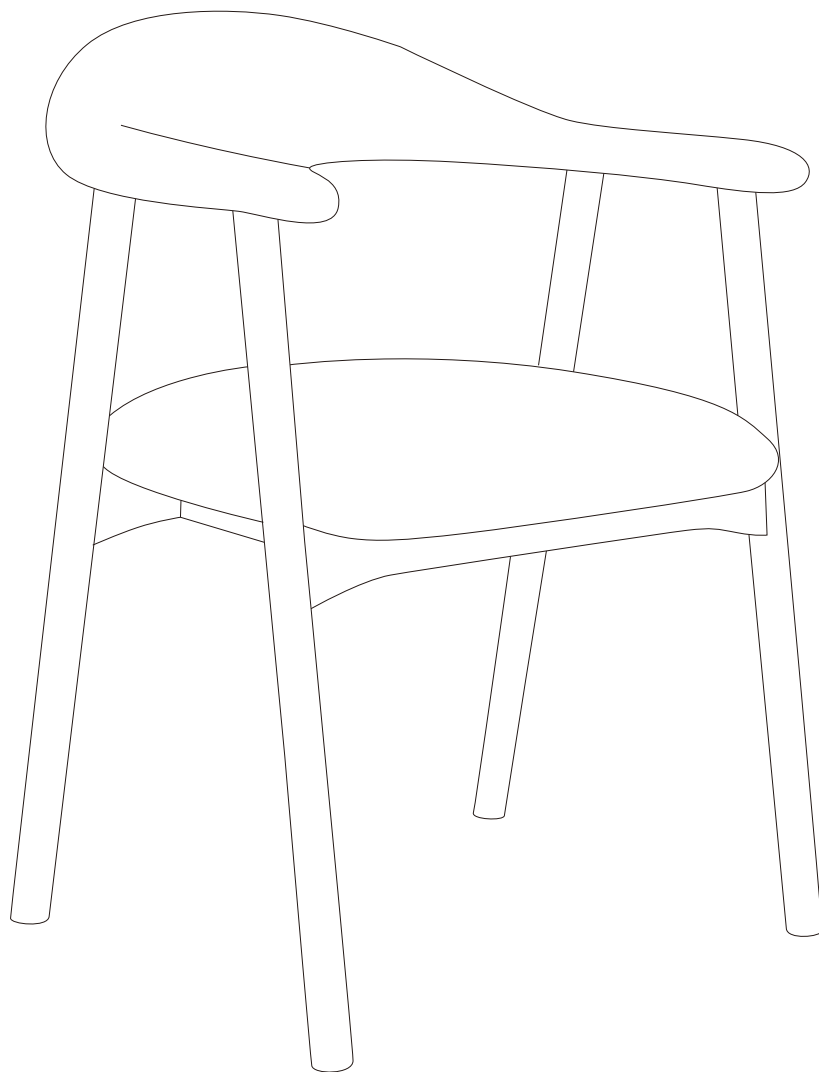
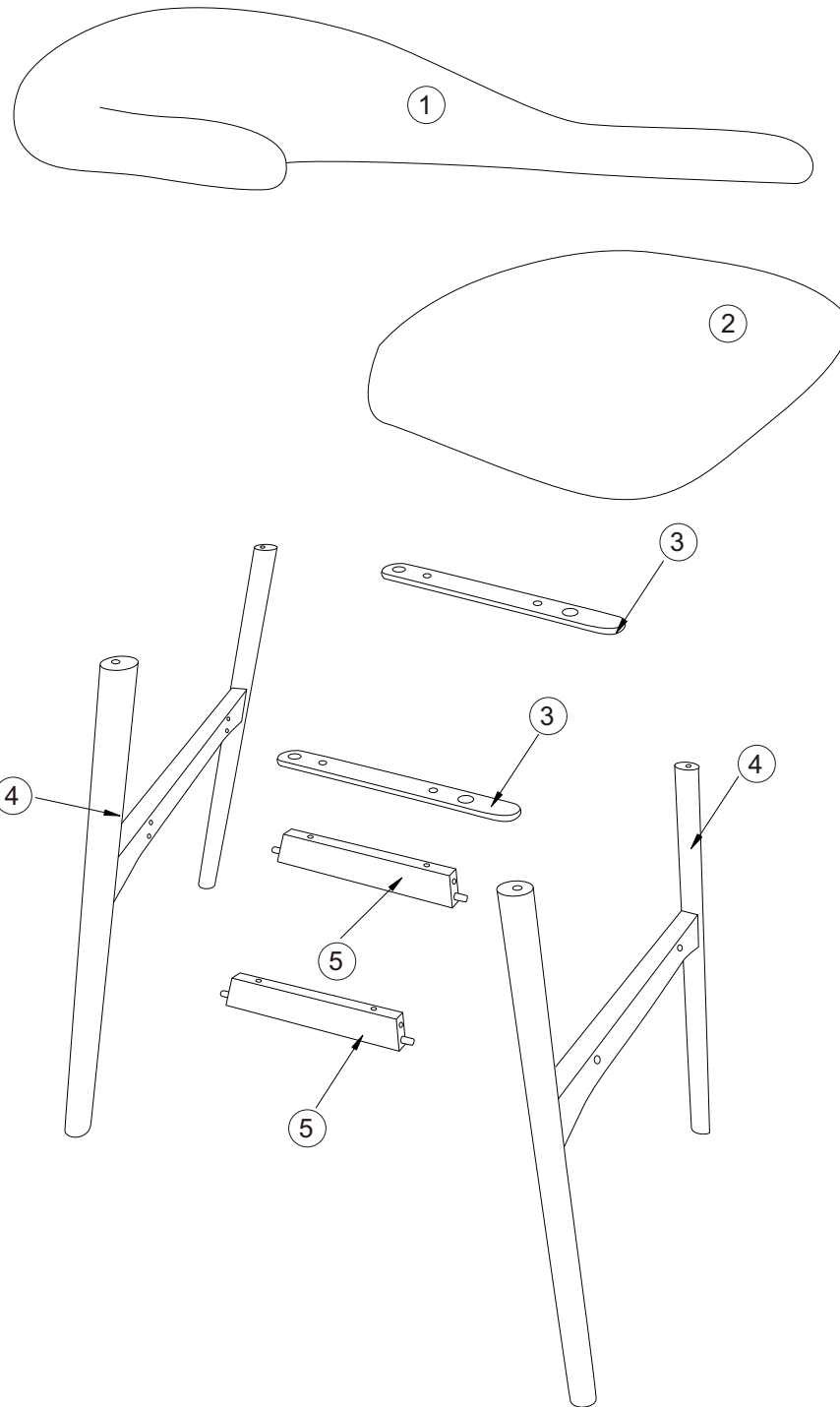
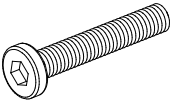
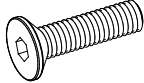
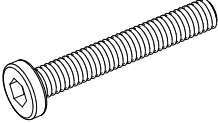
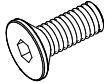
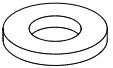

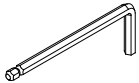
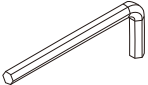


ADDI

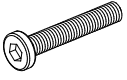

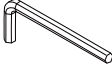


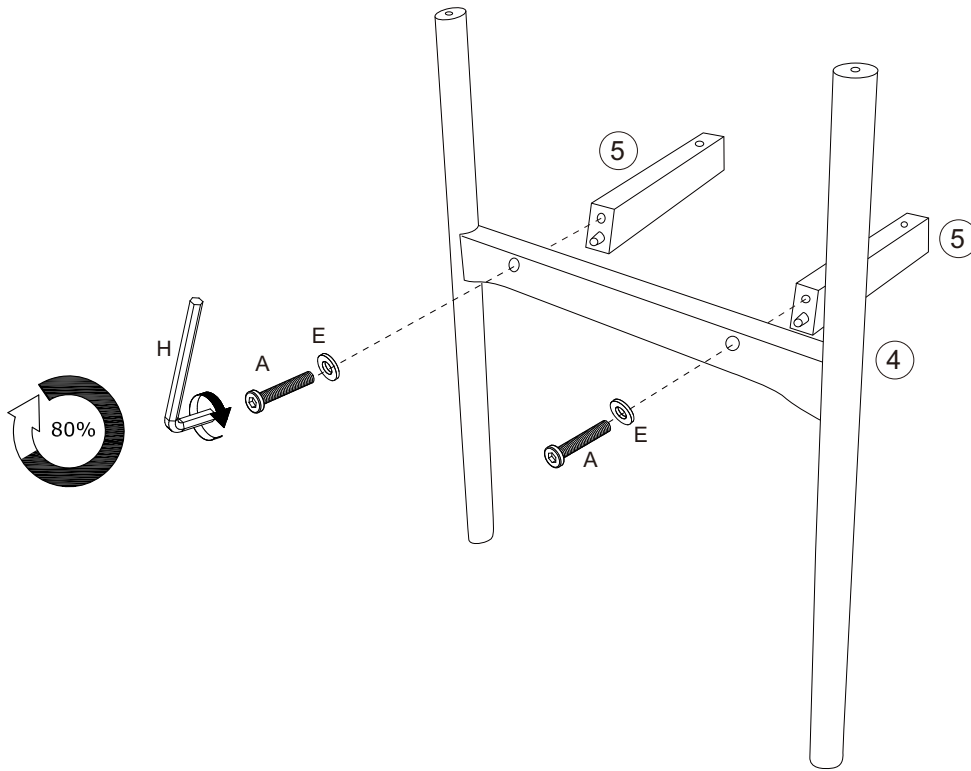
			✓
①	1	465x560x125	
②	1	480x450x60	
③	2	250x30x5	
④	2	645x565x30	
⑤	2	280x25x45	



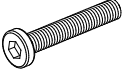

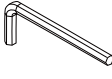
<p>A x 4</p>  <p>M6x35 mm</p>	<p>B x 4</p>  <p>M6x20 mm</p>	<p>C x 4</p>  <p>M6x45 mm</p>	<p>D x 4</p>  <p>M6x16 mm</p>	<p>E x 8</p>  <p>Ø6/Ø13 mm</p>
<p>F x 4</p>  <p>Ø25x5 mm</p>	<p>G x 1</p>  <p>4 mm</p>	<p>H x 1</p>  <p>5 mm</p>		

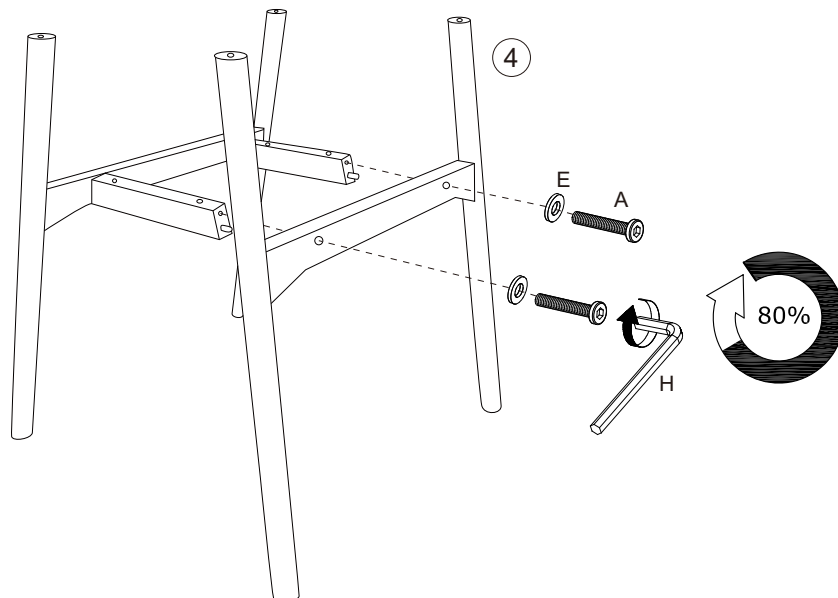
1

A x 2  M6x35 mm	E x 2  Ø6 / Ø13 mm	H x 1  5 mm
--	---	--

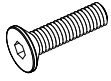
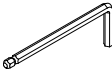


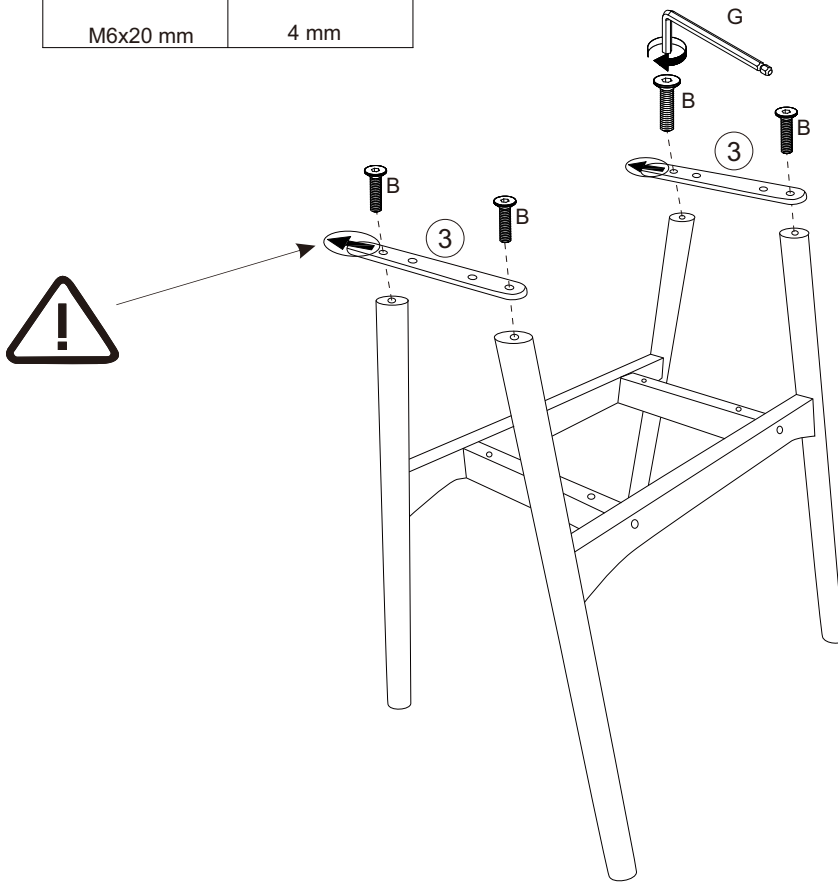
2

A x 2  M6x35 mm	E x 2  Ø6 / Ø13 mm	H x 1  5 mm
--	---	--

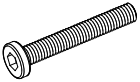


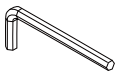


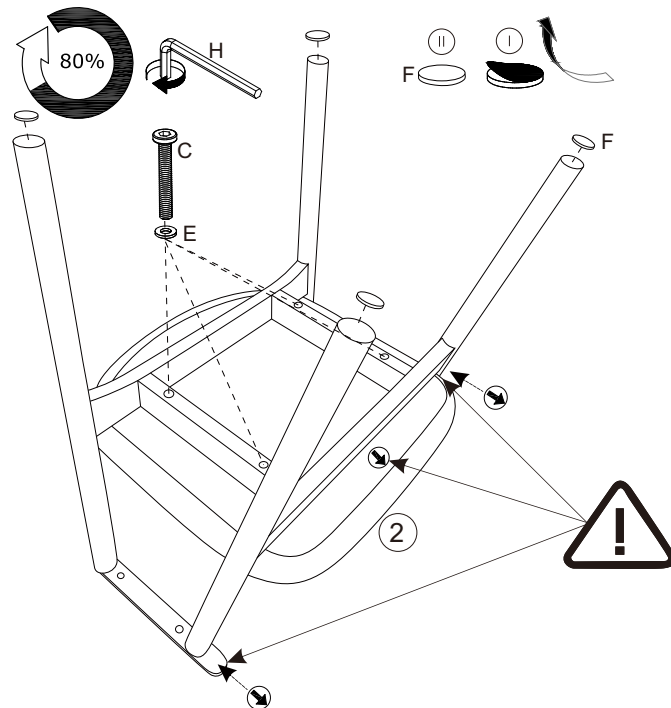
3

B x 4  M6x20 mm	G x 1  4 mm
--	--

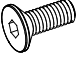



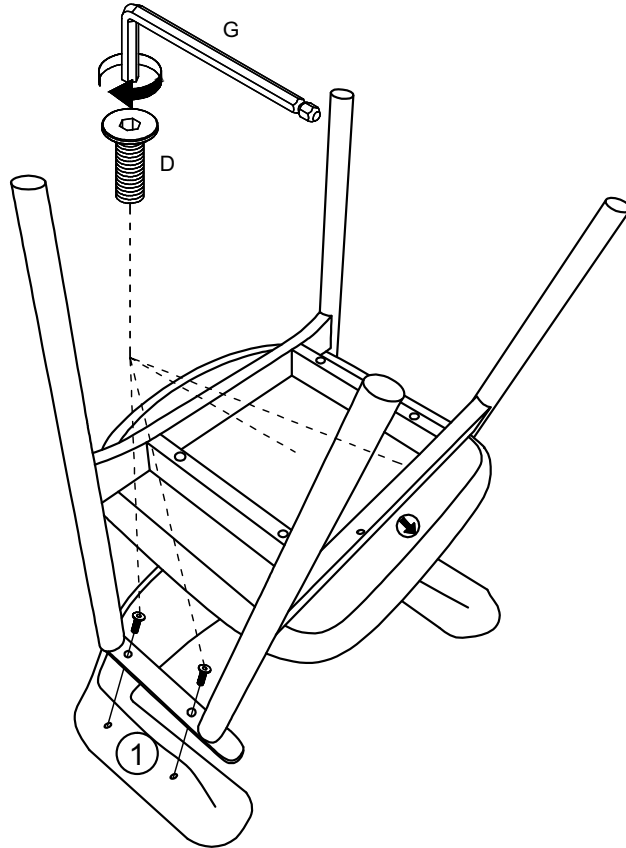
4

C x 4  M6x45 mm	E x 4  Ø6/Ø13 mm	F x 4  Ø 25x5 mm	H x 1  5 mm
--	---	---	--

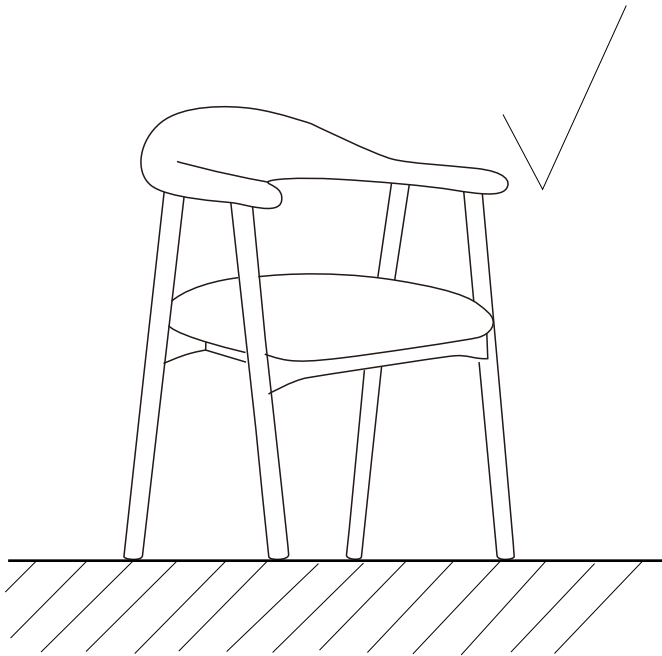
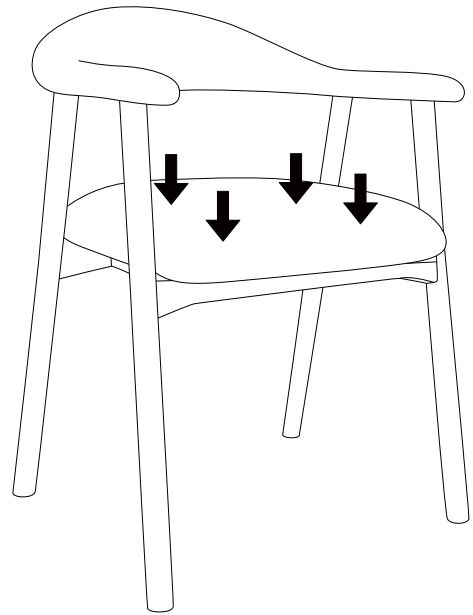
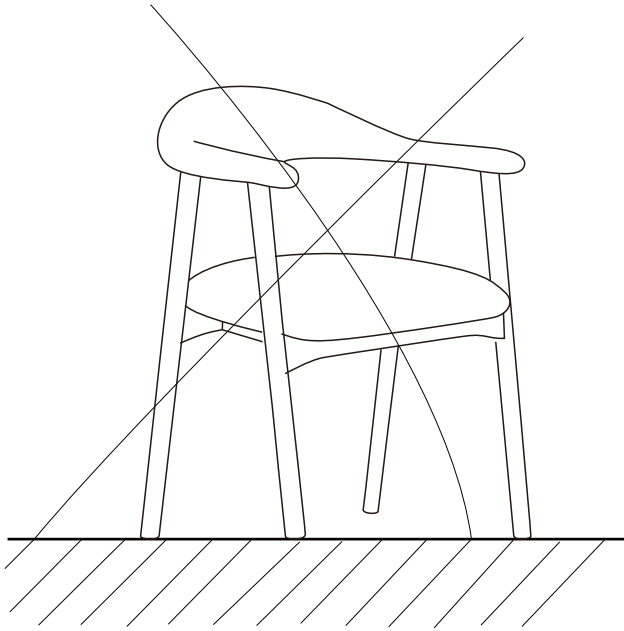


5

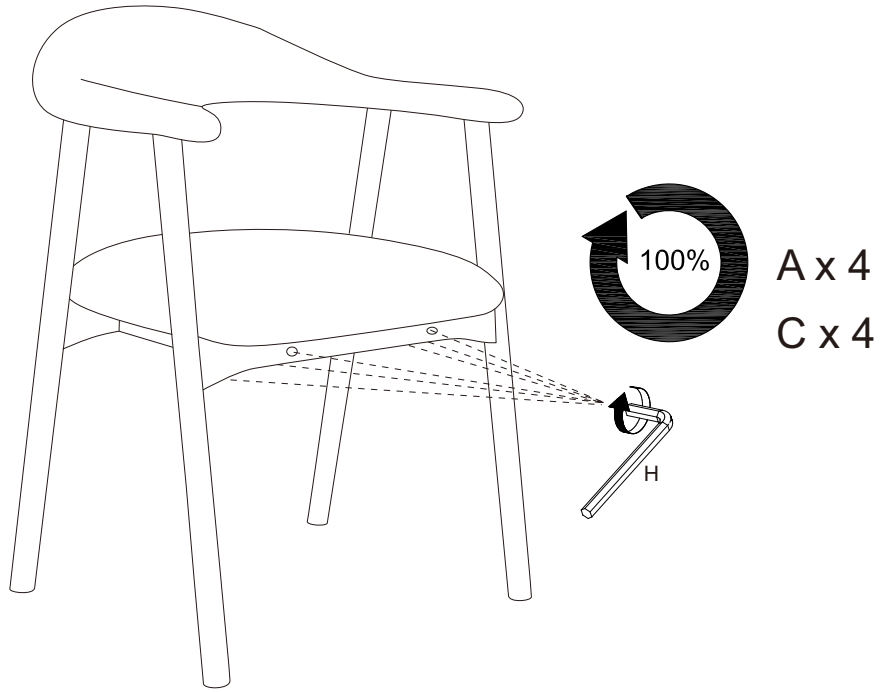
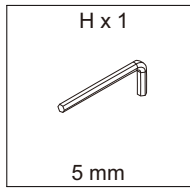
D x 4  M6x16 mm	G x 1  4 mm
--	--



6



7



8

