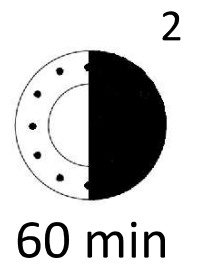
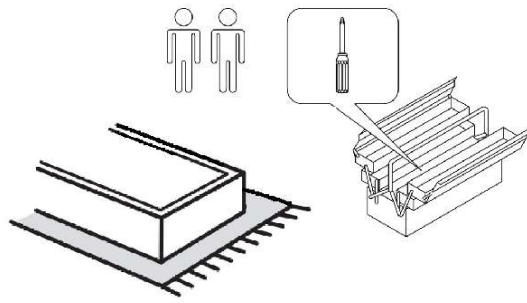
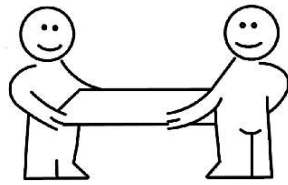
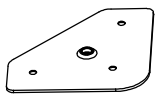

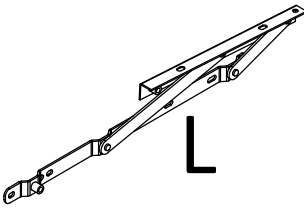
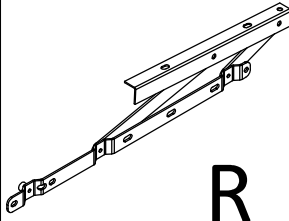



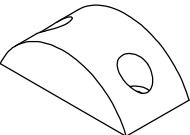
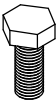

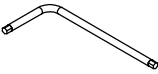
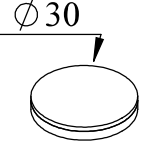
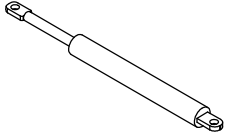
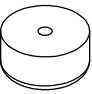

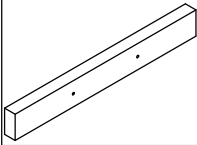

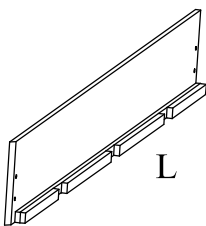
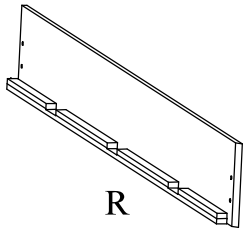
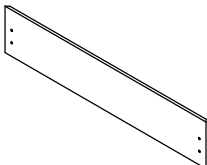
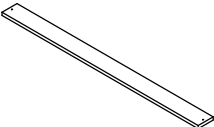
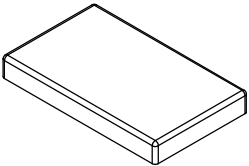
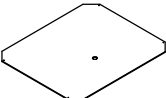
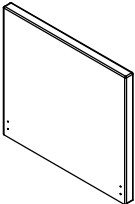


Assembling instruction

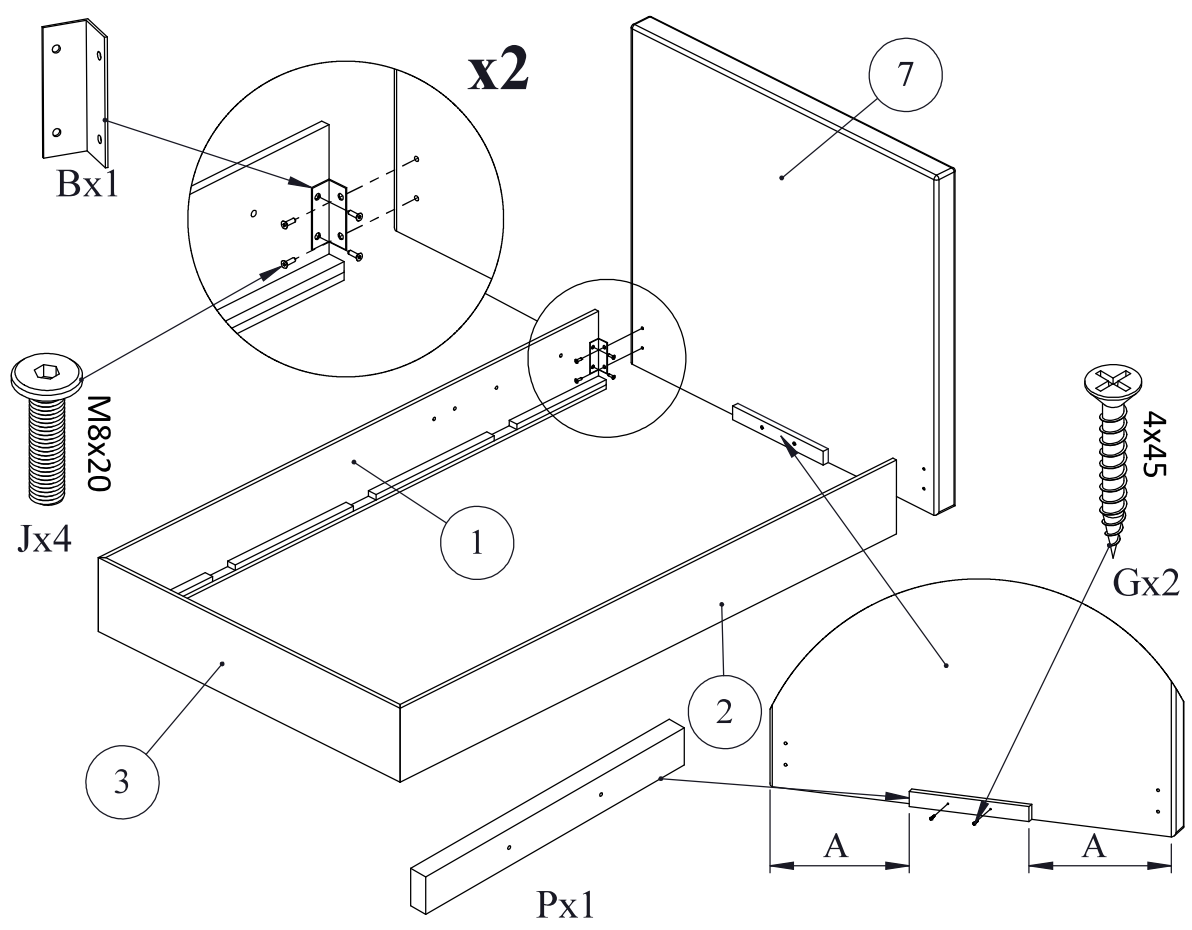
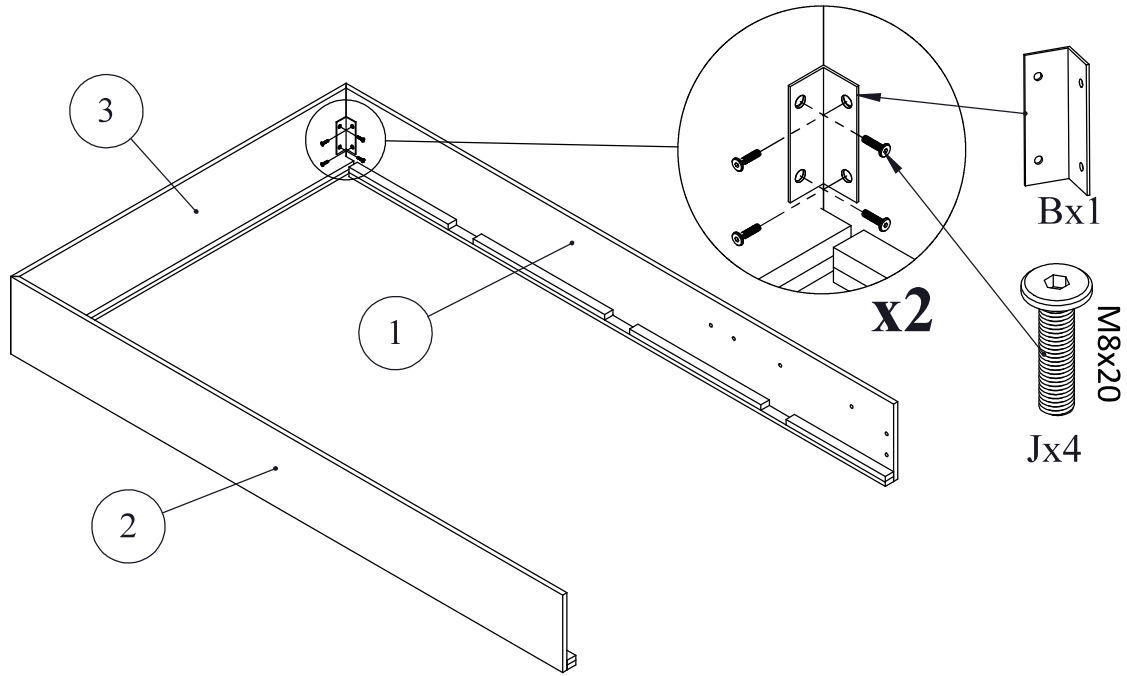


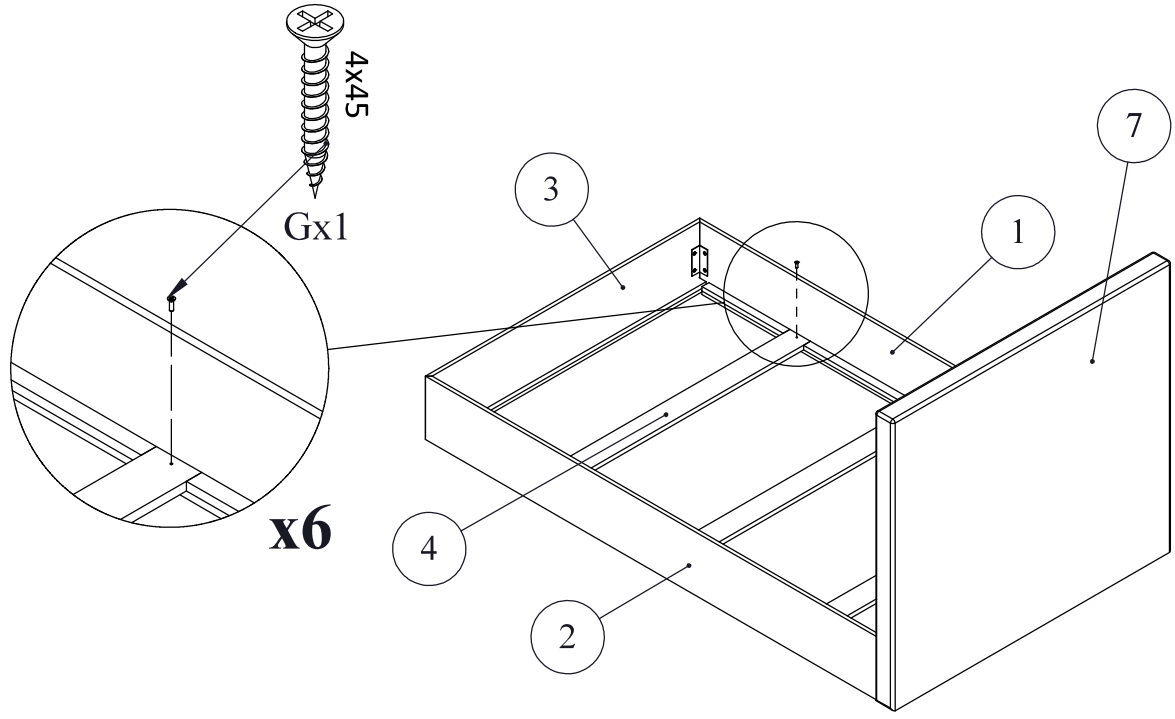
2

				
A x 4	B x 4	C x 1	D x 1	E x 1
				
F x 12	G x 12	H x 2	I x 4	J x 28
				
K x 1	L x 4	M x 2	N x 4	O x 2
				
P x 1	R x 8			
				
① x 1 (C1)	② x 1 (C1)	③ x 1 (C1)	④ x 3 (C1)	⑤ x 1 (C2)
				
⑥ x 2 (C3)	⑦ x 1 (C3)			

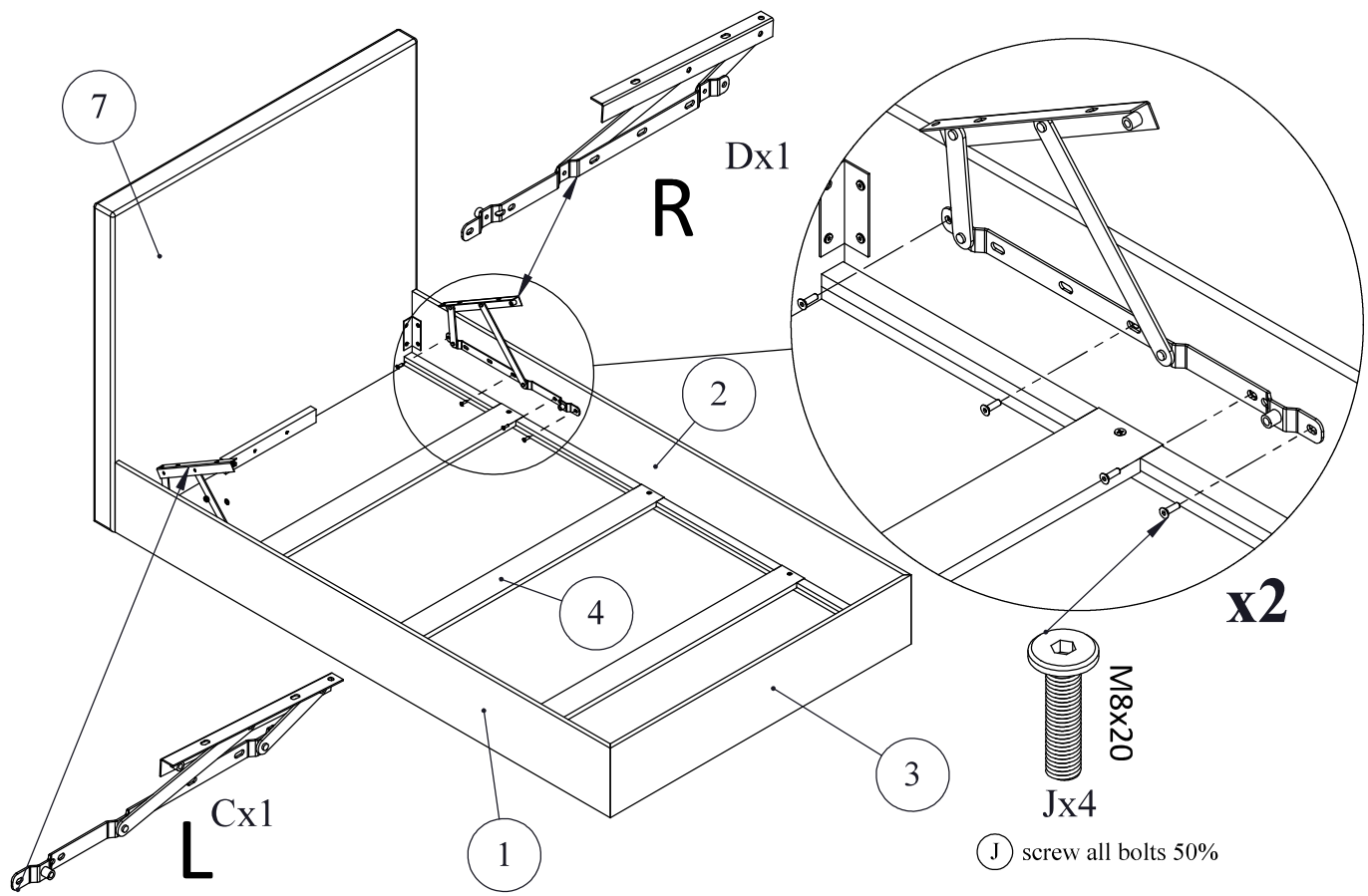


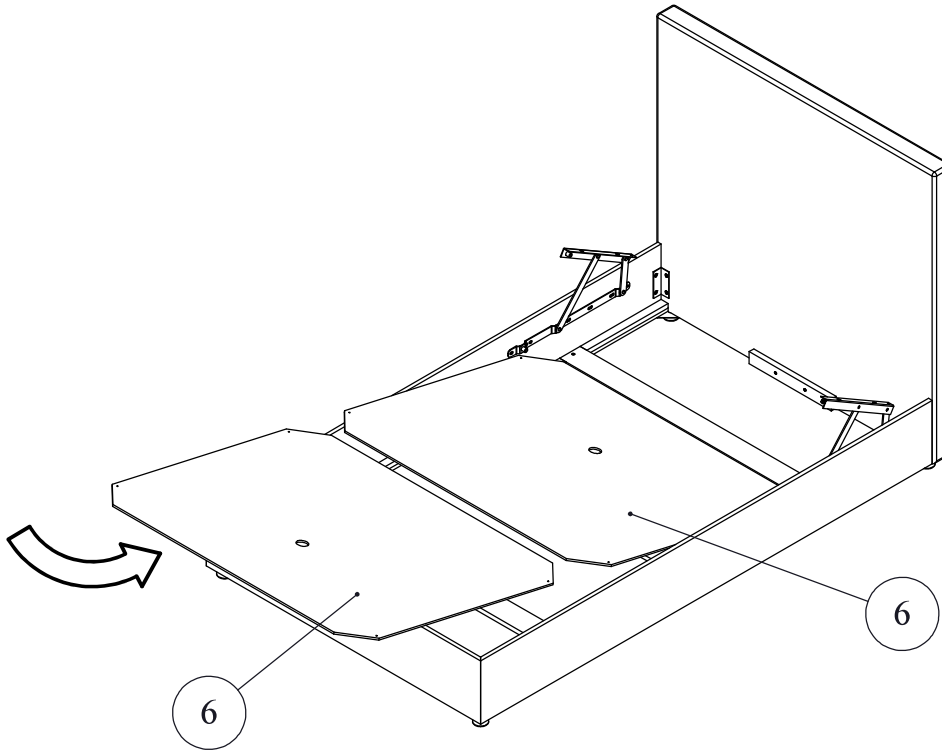
3



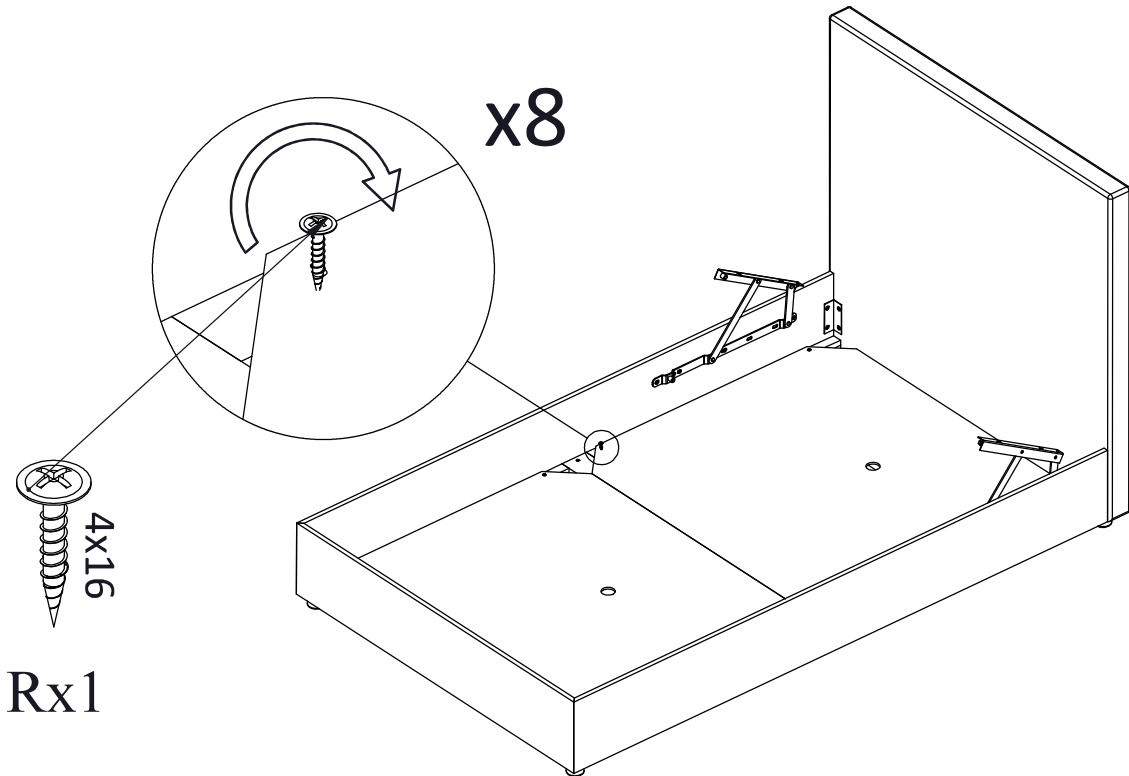


<p>L Cx1</p>	<p>R Dx1</p>	<p>Jx8 M8x20</p>	<p>Kx1</p>
-------------------------	-------------------------	-----------------------------	-------------------

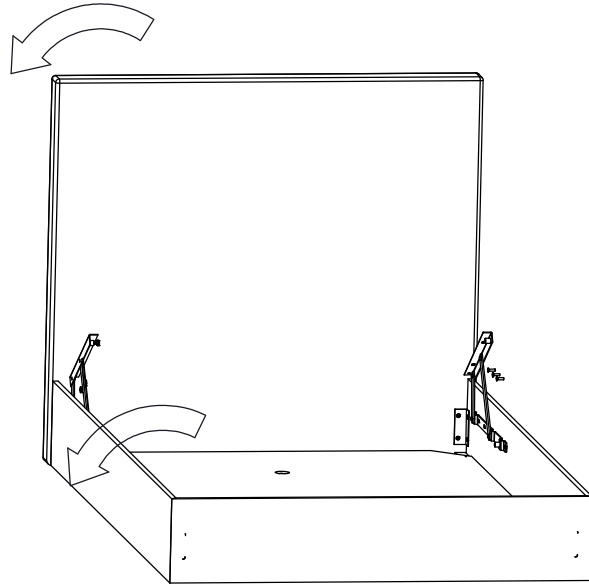




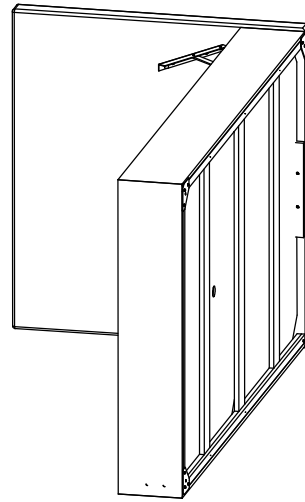
4x16
Rx8



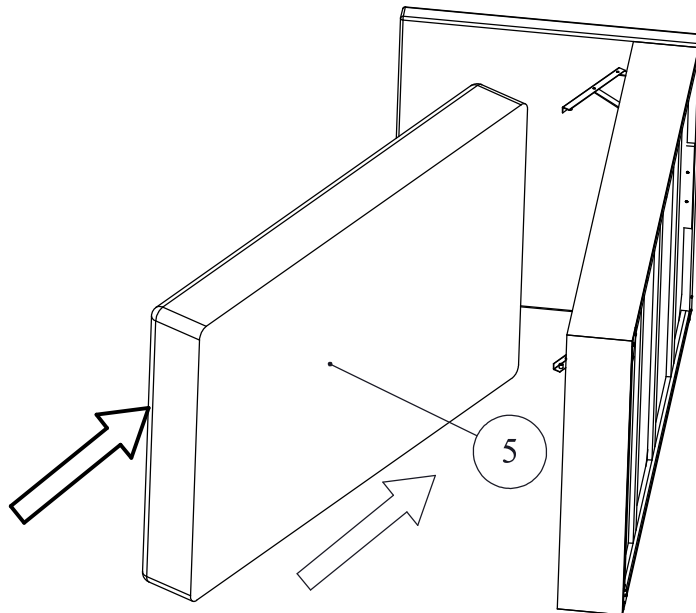
1.



2.

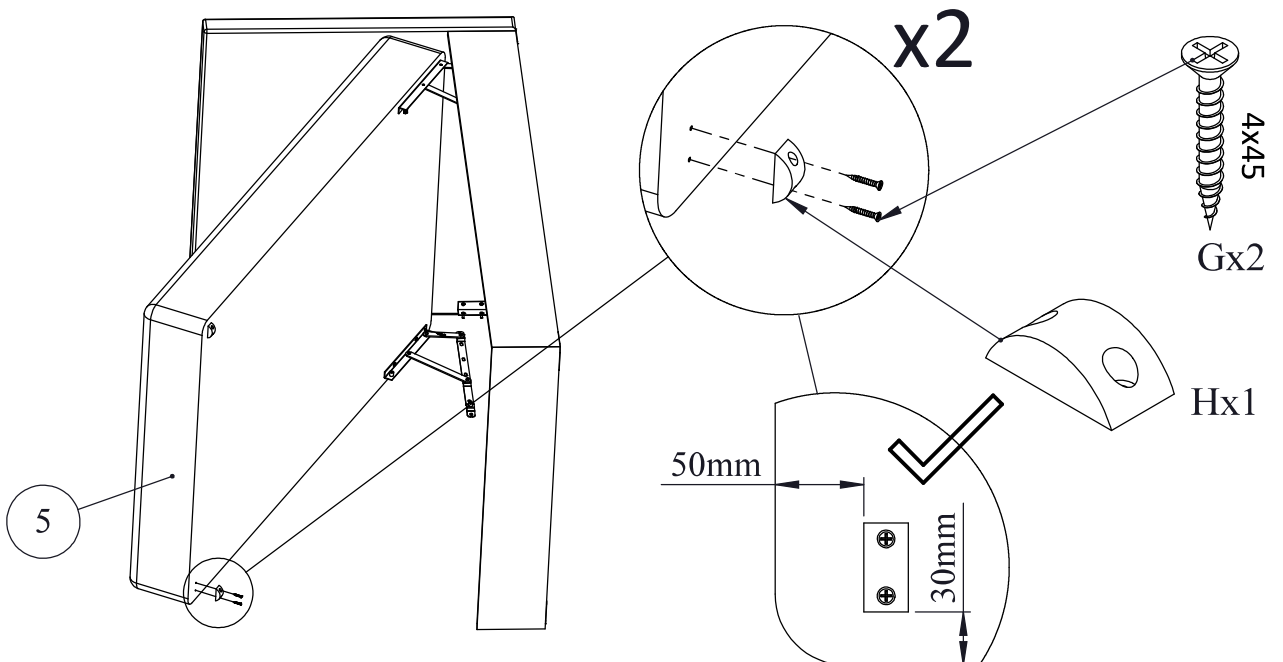
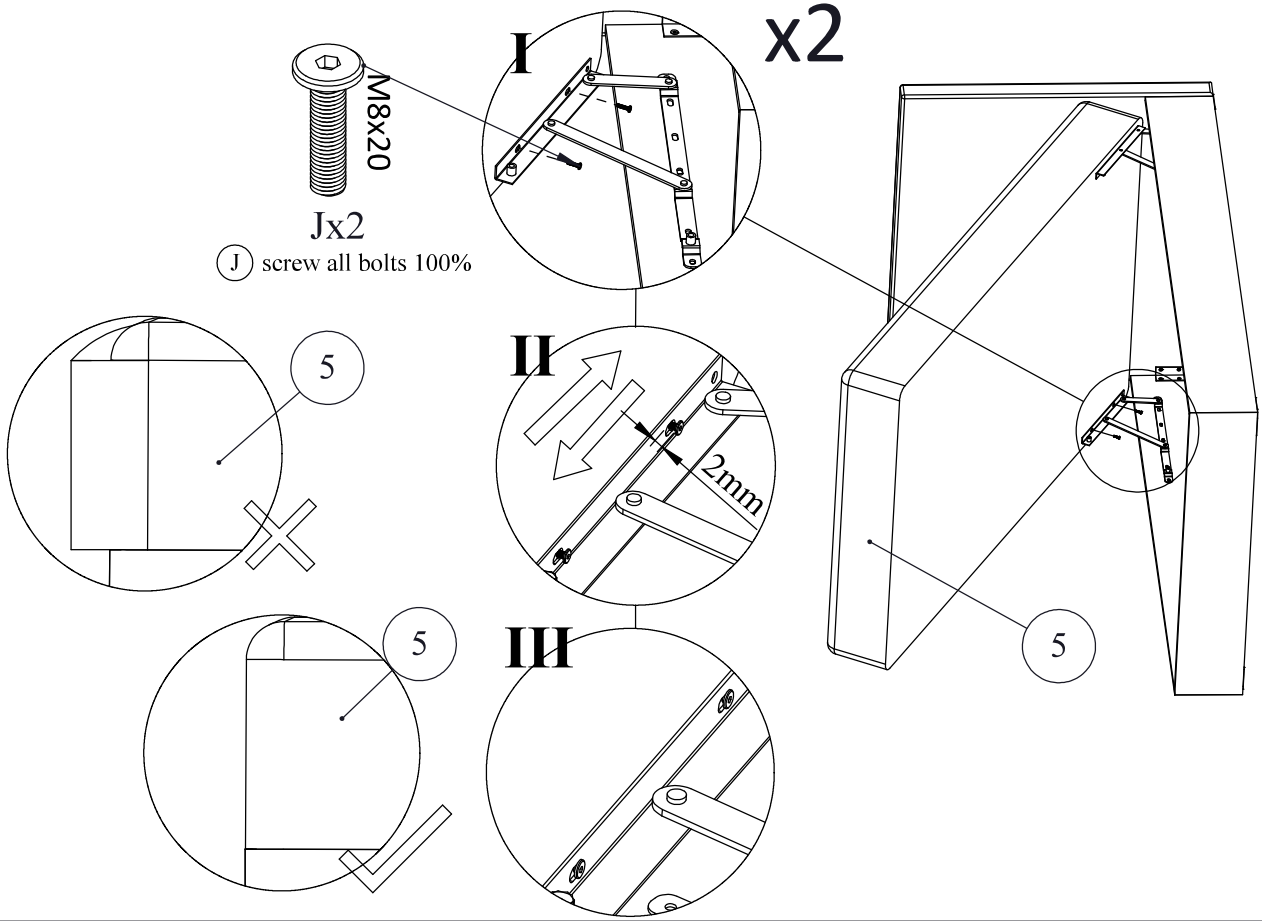


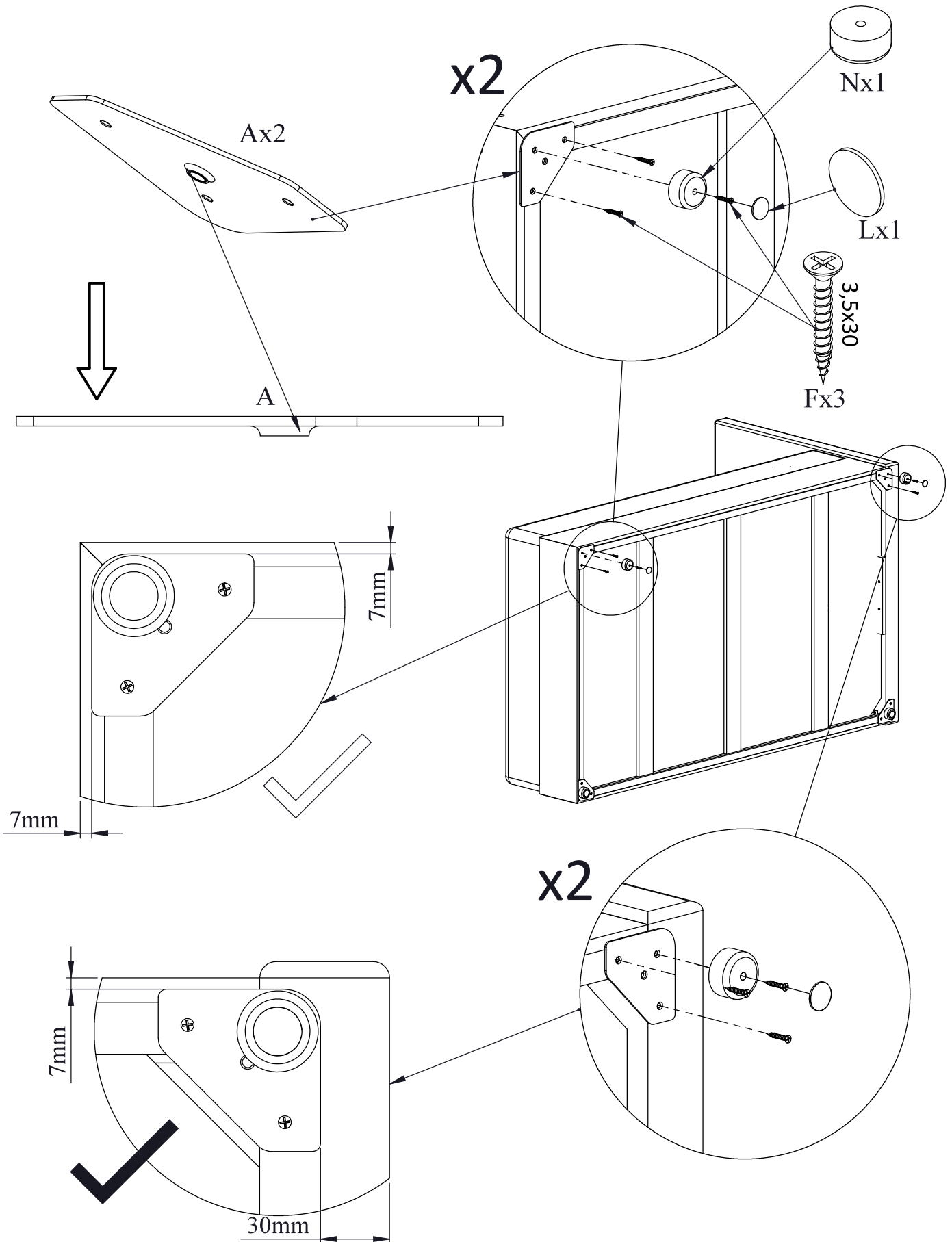
3.



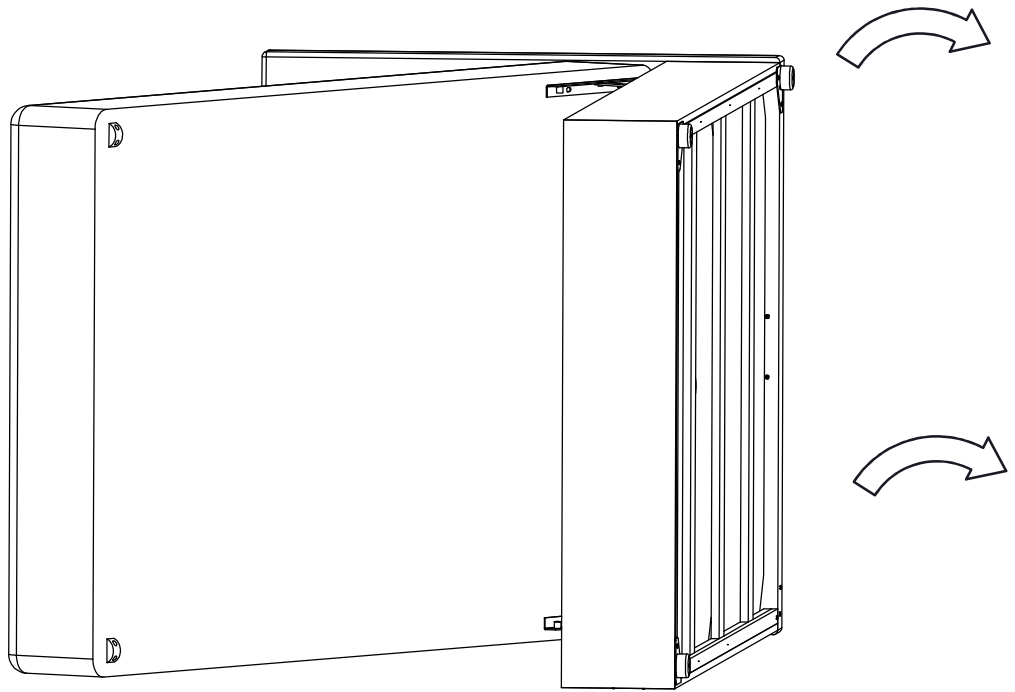


7

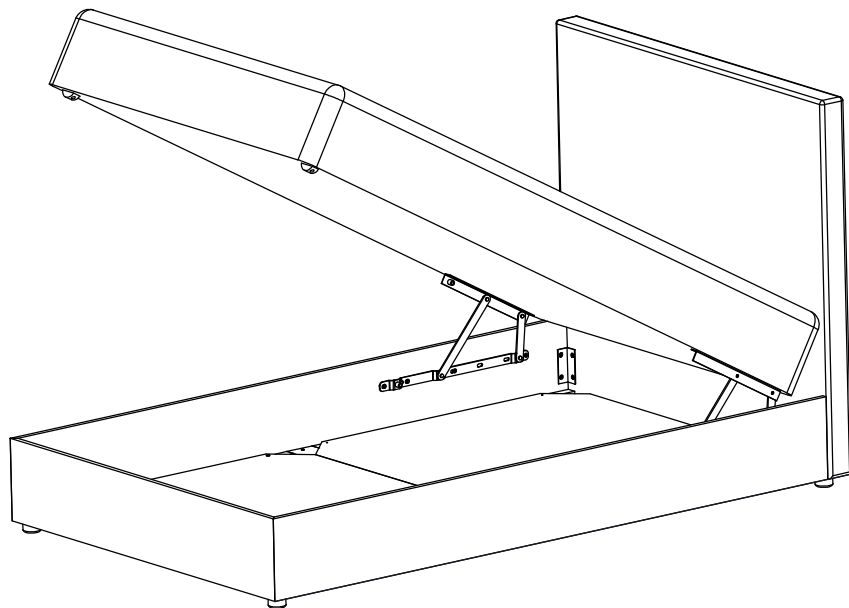




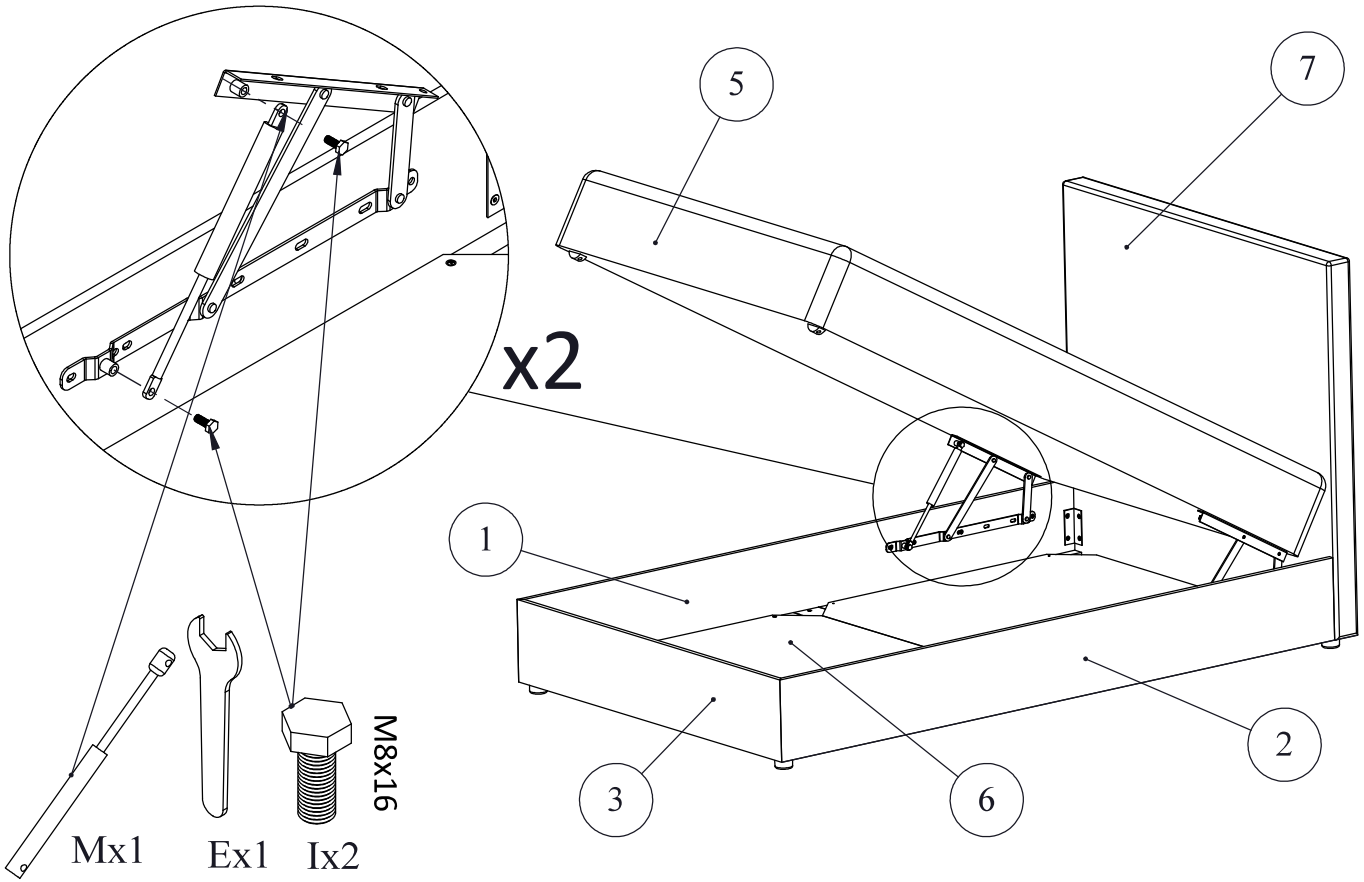
1.



2.



 <p>M8x16 Ix4</p>	 <p>Mx2</p>	 <p>Ex1</p>	<p>10</p>
---	---	---	-----------



 <p>Ox2</p>
--

