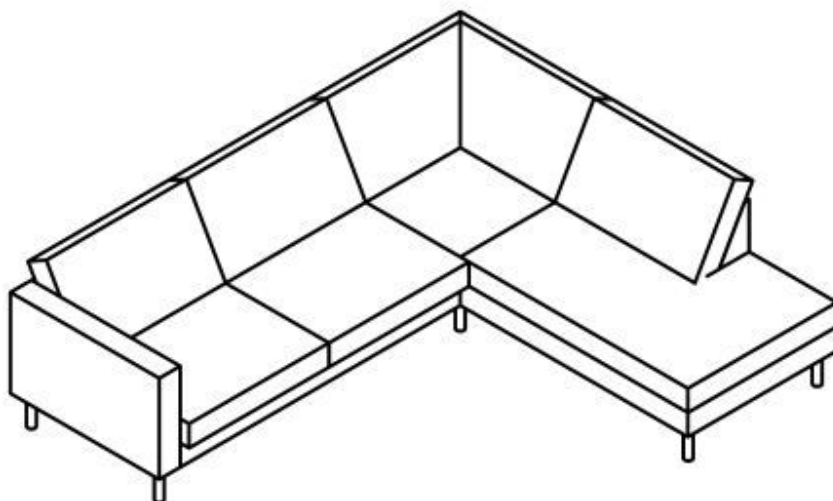
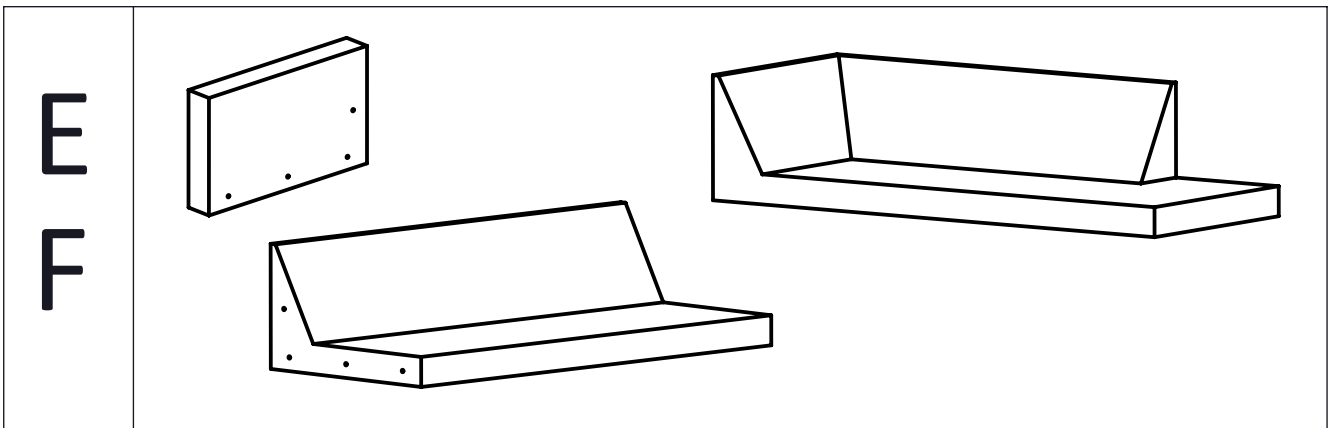
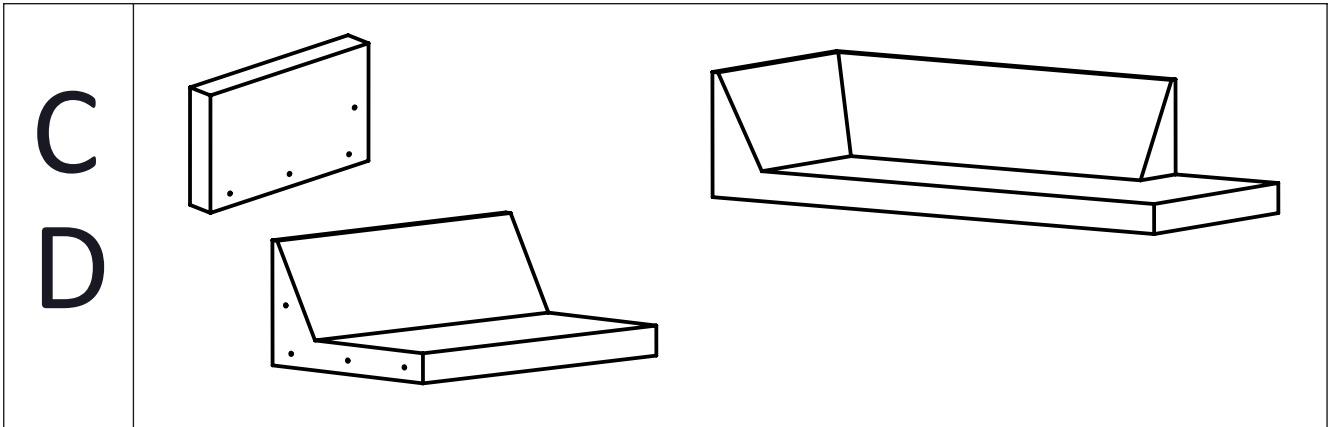
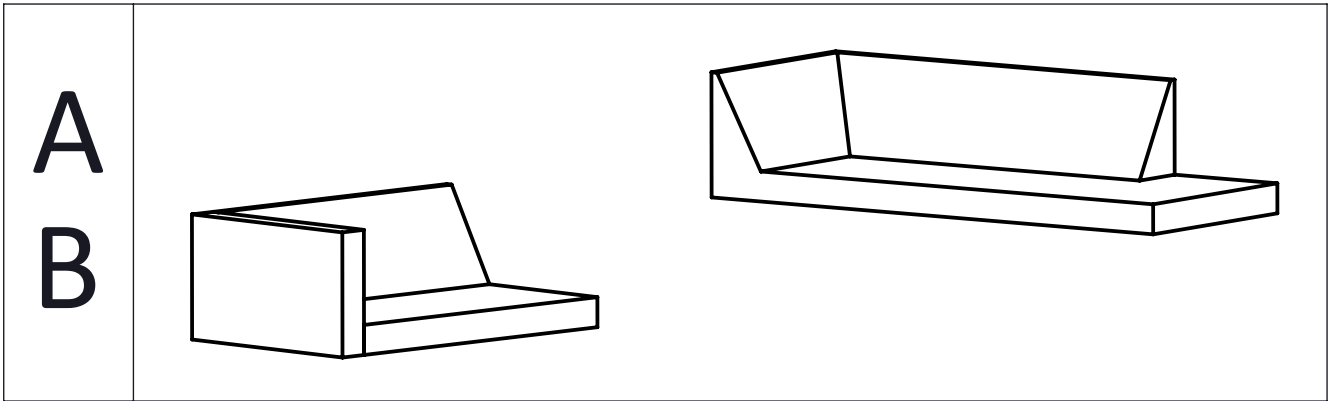
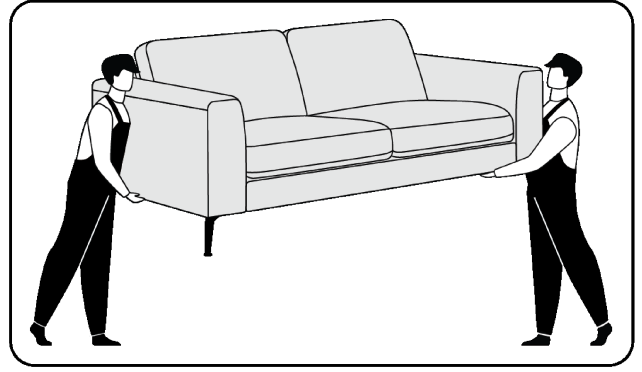
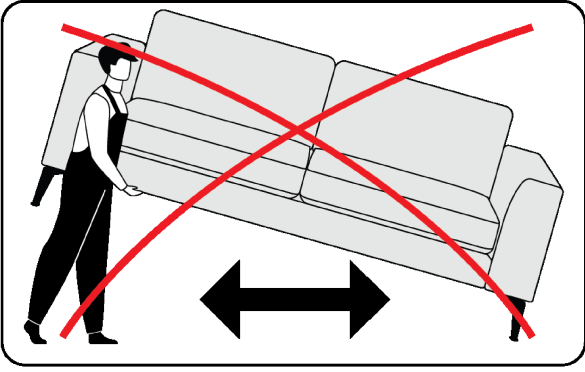


# Kokkupanekujuhend Assembly instructions

Nurgadiivan LISANNA PN sinine (77755)  
Corner sofa LISANNA RC blue (77755)

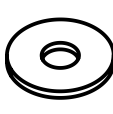



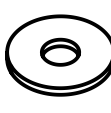



<b>A</b>	$a \times 7$	$a_1 \times 3$	$b \times 7$	$c \times 9$	$a_3 \times 2$		
	$a_2 \times 4$		D50		EXTRA		


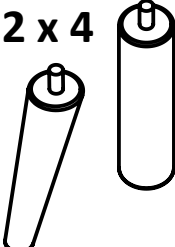
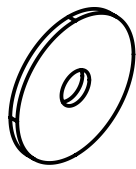








<b>B</b>	$a \times 6$	$a_1 \times 2$	$b \times 6$	$c \times 8$	$a_3 \times 2$		
	$a_2 \times 4$		D50		EXTRA		


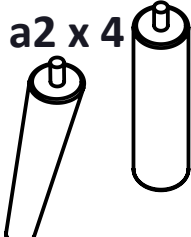
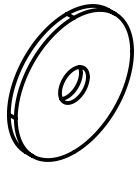




<b>C</b>	$a \times 7$	$a_1 \times 3$	$b \times 7$	$c \times 9$	$a_3 \times 2$	$d \times 4$	$e \times 4$
	$a_2 \times 4$		D50		EXTRA	M8x60	M8


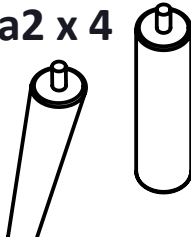
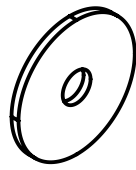







$f \times 4$	$g \times 1$
	
	13mm


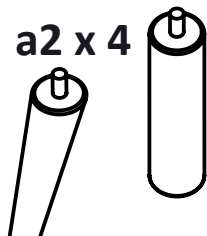
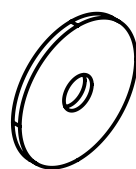




$f \times 4$	$g \times 1$
	
	13mm

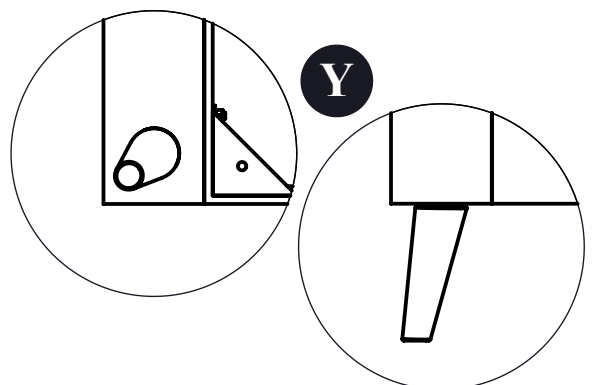
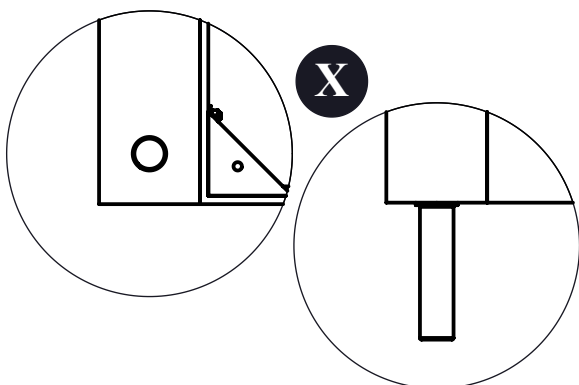
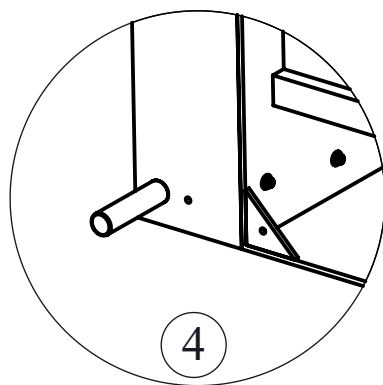
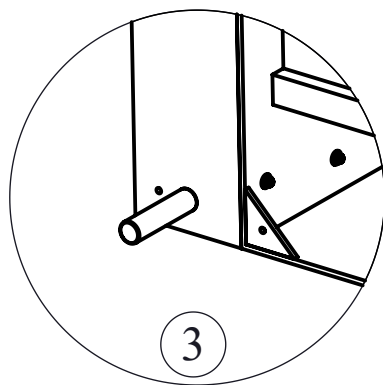
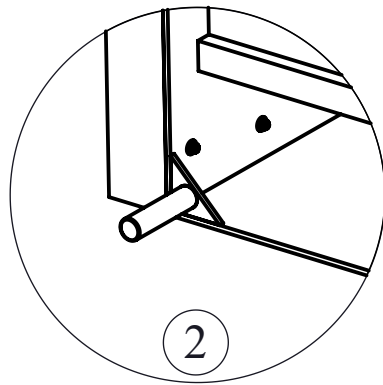
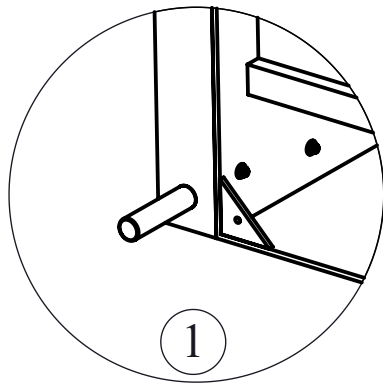
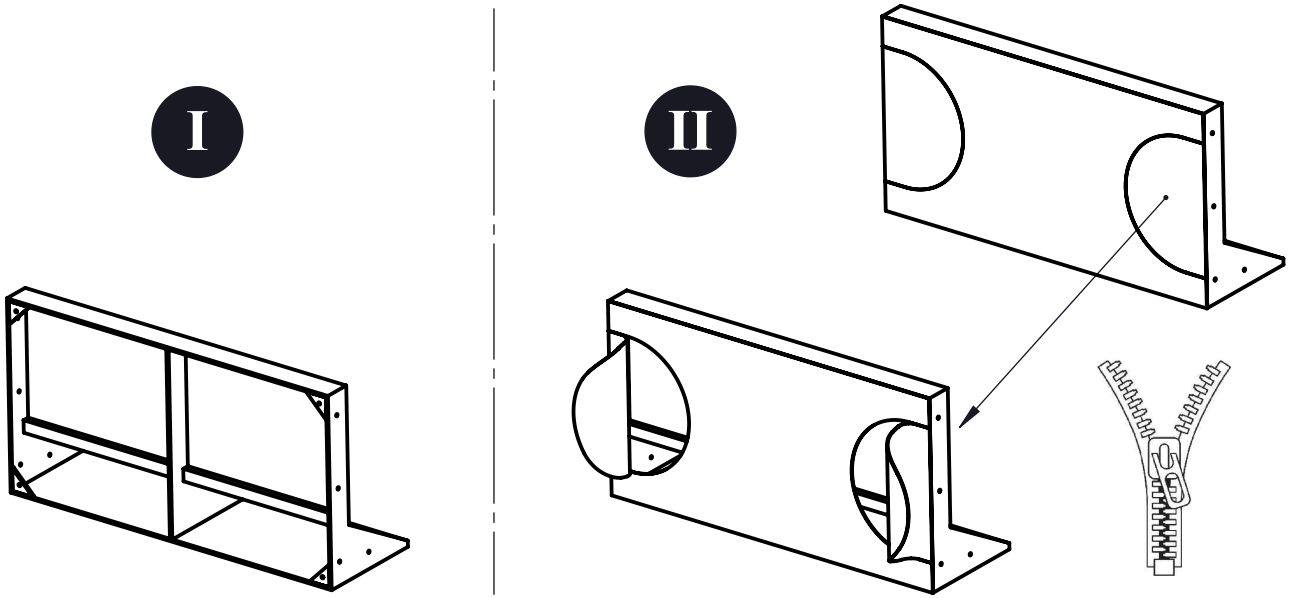
<b>D</b>	$a \times 6$	$a_1 \times 2$	$b \times 6$	$c \times 8$	$a_3 \times 2$	$d \times 4$	$e \times 4$
	$a_2 \times 4$		D50		EXTRA	M8x60	M8

<b>E</b>	<b>a x 7</b> 	<b>a1 x 3</b> <b>a2 x 4</b> 	<b>b x 7</b> 	<b>c x 10</b> 	<b>a3 x 3</b> 	<b>d x 4</b> 	<b>e x 4</b> 
	<b>f x 4</b> 	<b>g x 1</b>  13mm				<b>f x 4</b> 	<b>g x 1</b>  13mm

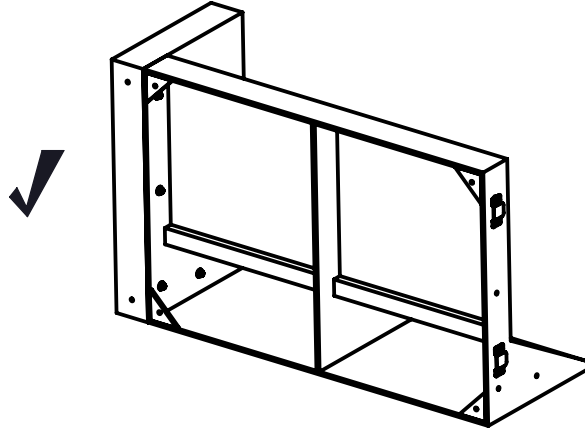
<b>F</b>	<b>a x 6</b> 	<b>a1 x 2</b> <b>a2 x 4</b> 	<b>b x 6</b> 	<b>c x 9</b> 	<b>a3 x 3</b> 	<b>d x 4</b> 	<b>e x 4</b> 
			D50			EXTRA	M8x60

<b>G</b>	<b>a x 7</b> 	<b>a1 x 3</b> <b>a2 x 4</b> 	<b>b x 7</b> 	<b>c x 11</b> 	<b>a3 x 4</b> 	<b>d x 4</b> 	<b>e x 4</b> 
	<b>f x 4</b> 	<b>g x 1</b>  13mm					<b>f x 4</b> 

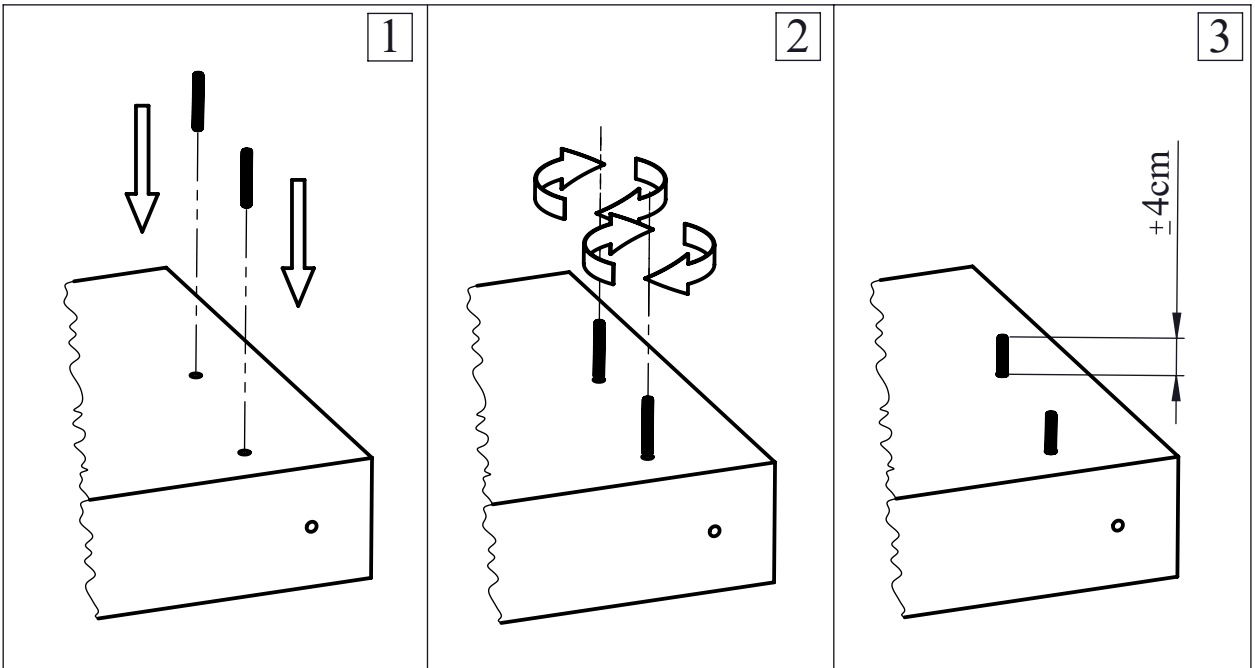
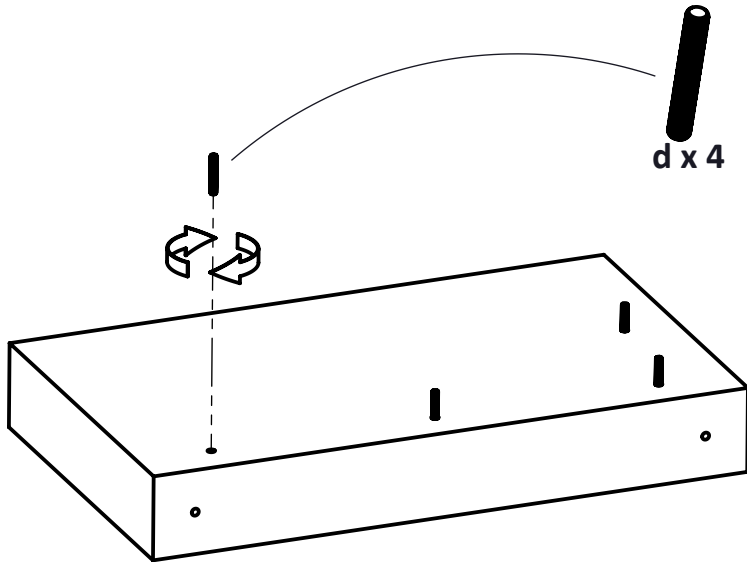
<b>H</b>	<b>a x 6</b> 	<b>a1 x 2</b> <b>a2 x 4</b> 	<b>b x 6</b> 	<b>c x 10</b> 	<b>a3 x 4</b> 	<b>d x 4</b> 	<b>e x 4</b> 
			D50			EXTRA	M8x60



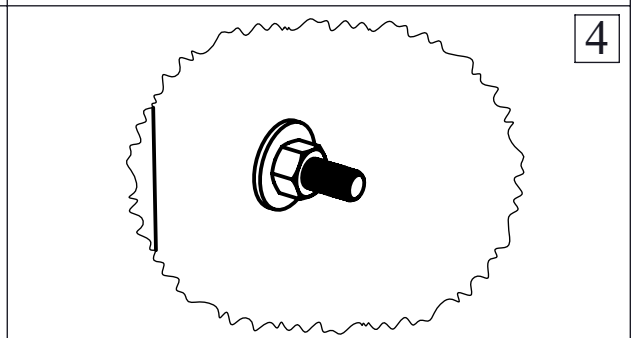
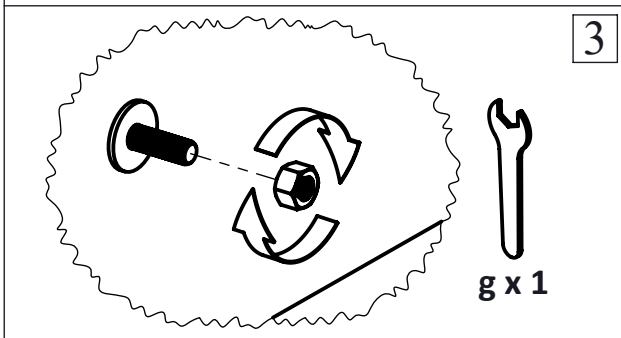
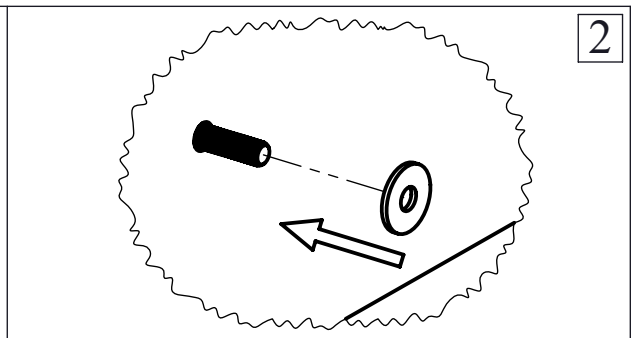
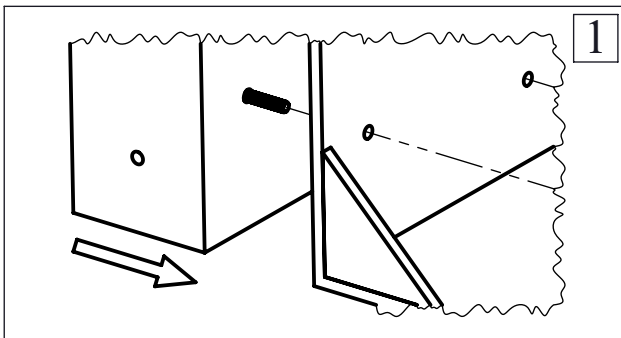
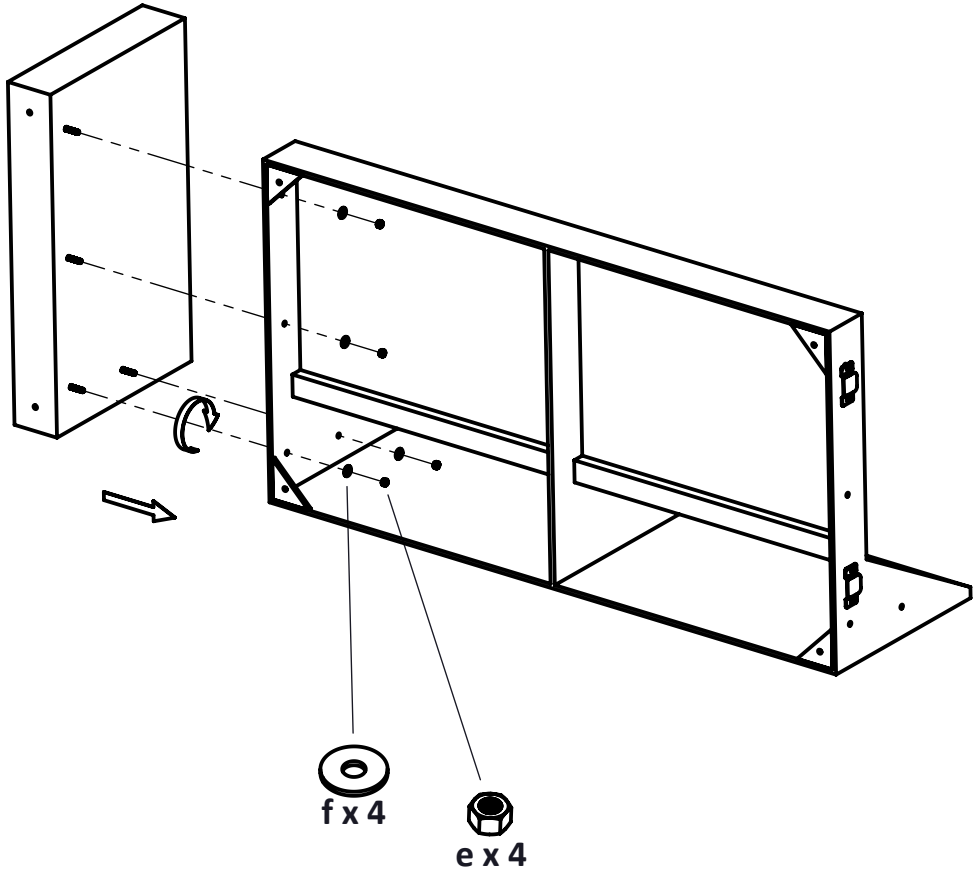
A  
B



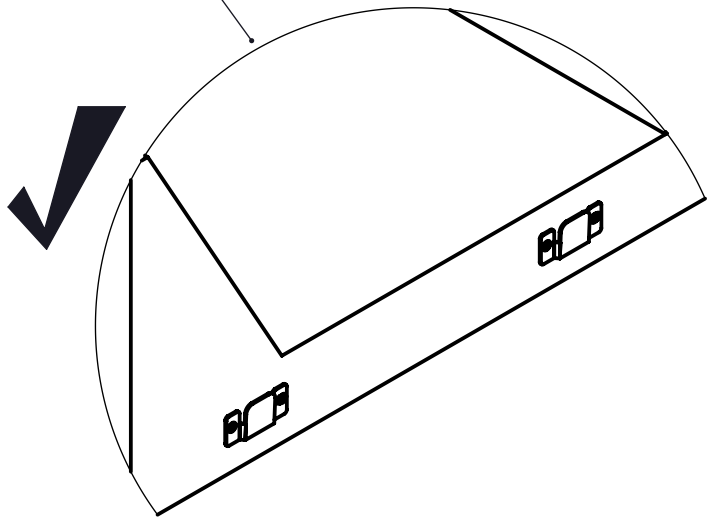
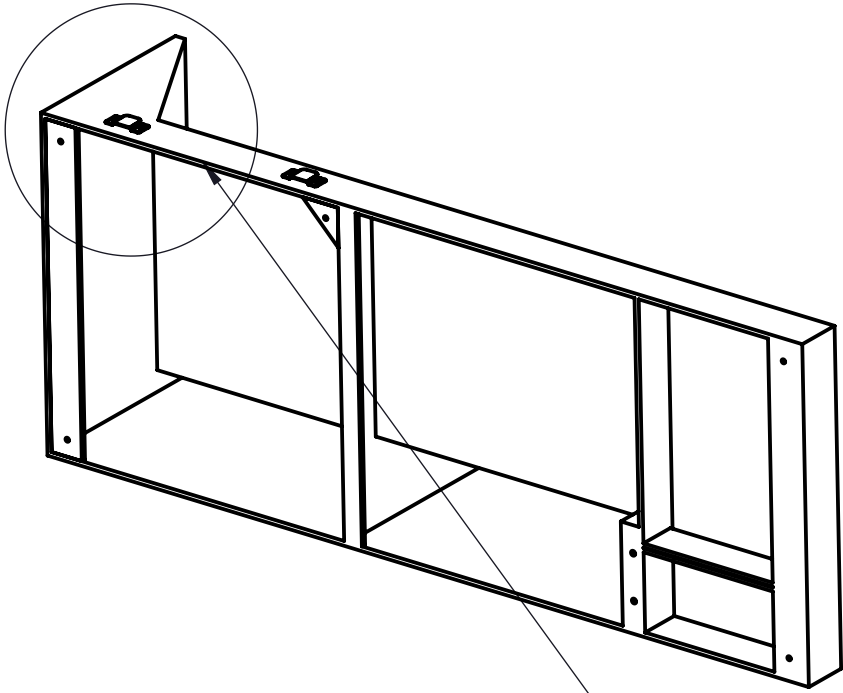
C  
D  
E  
F  
G  
H



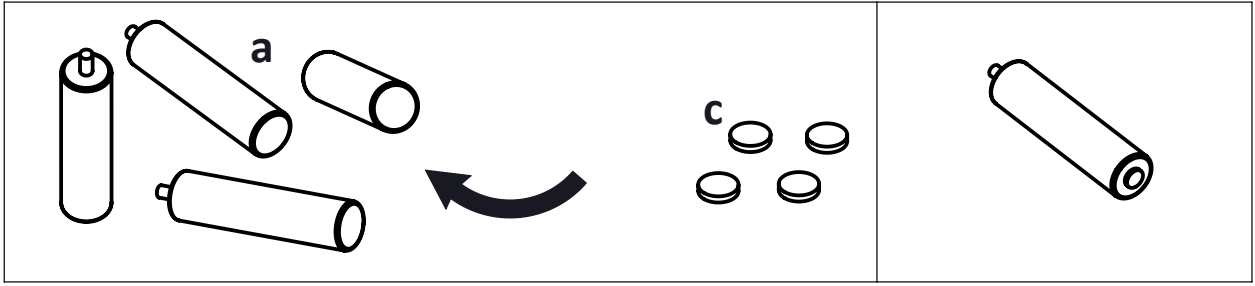
C  
D  
E  
F  
G  
H



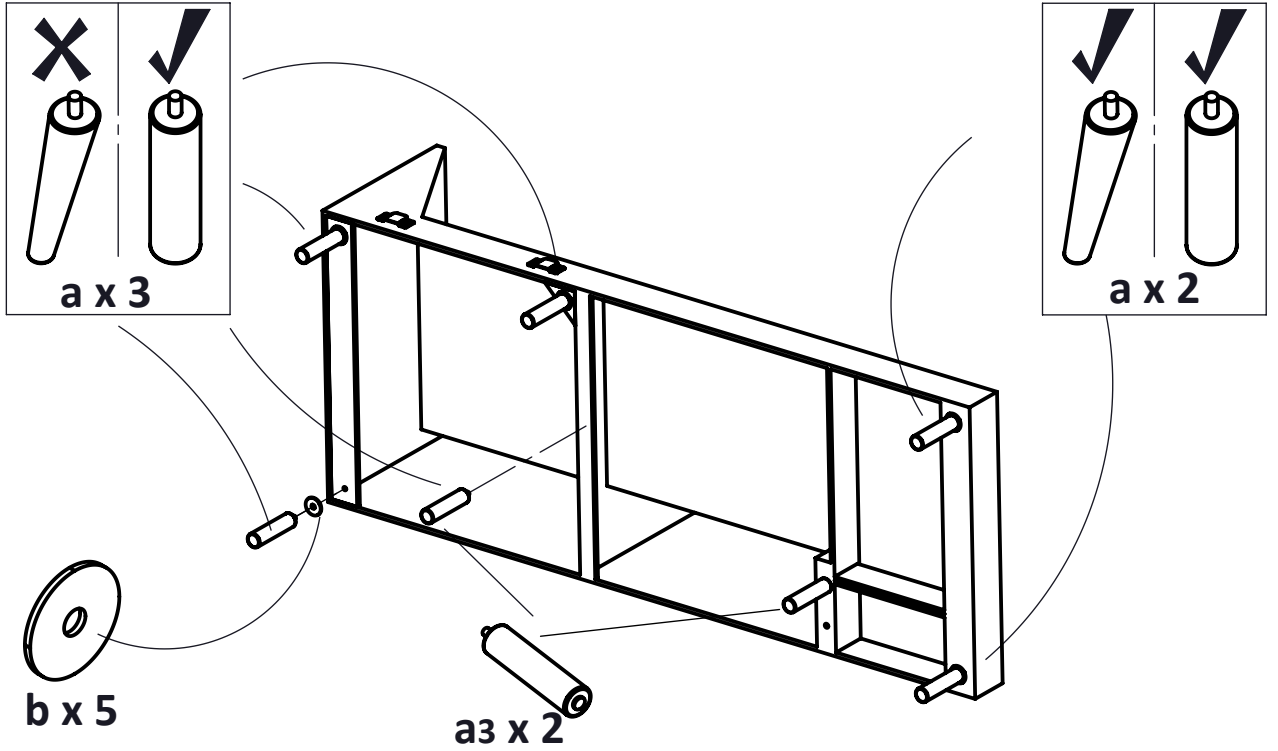
A  
B  
C  
D  
E  
F  
G  
H



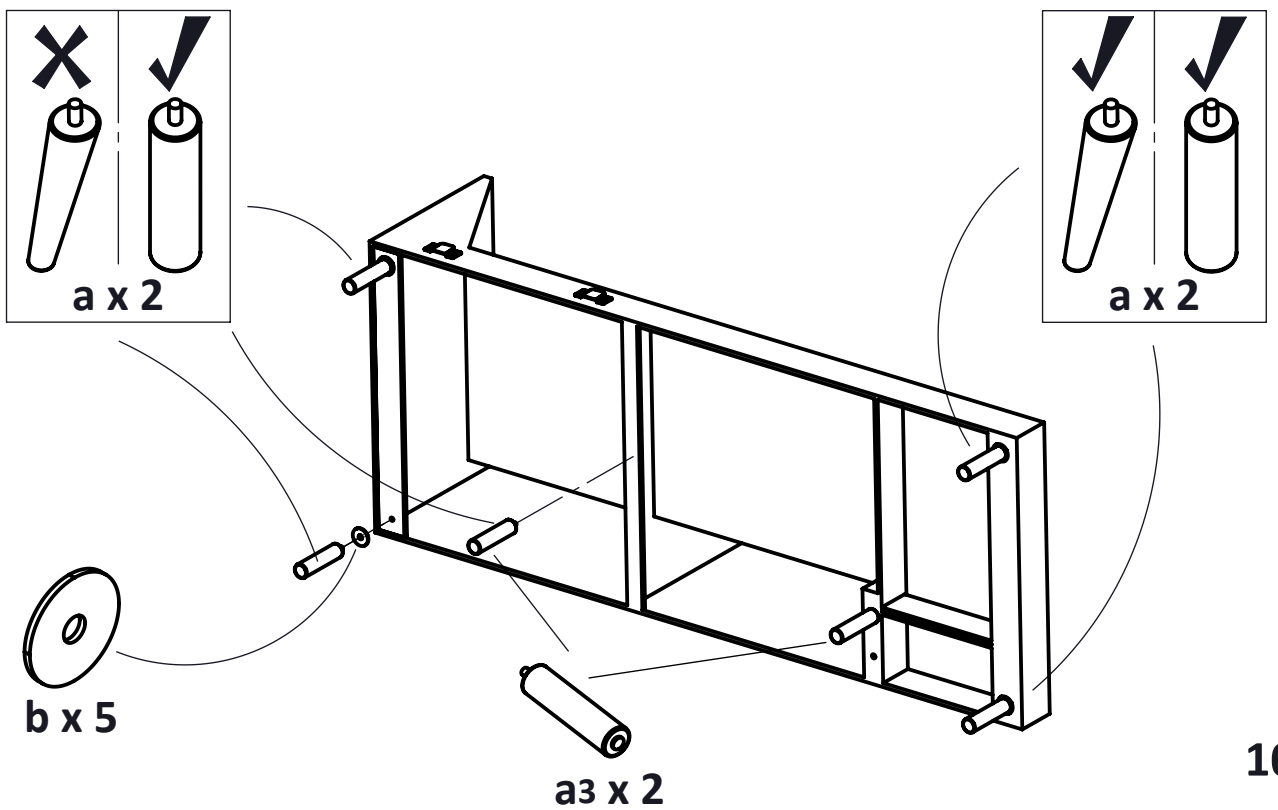


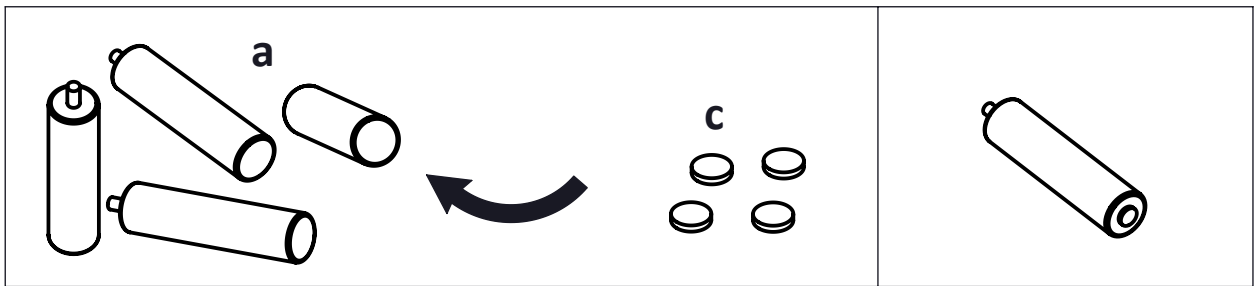


A  
C  
E  
G

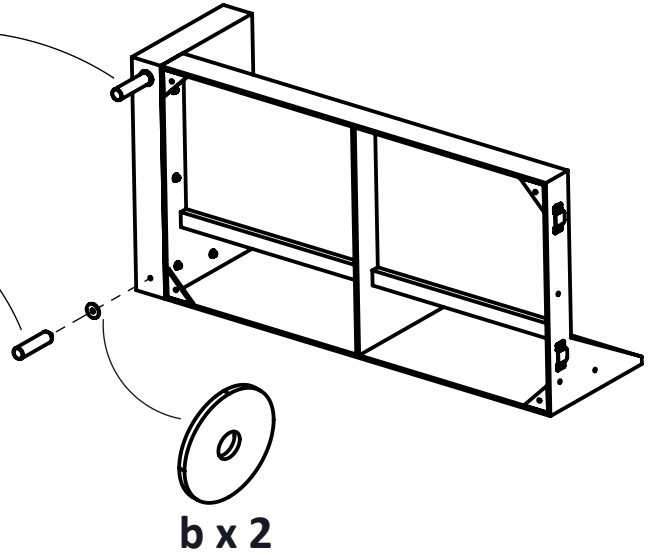
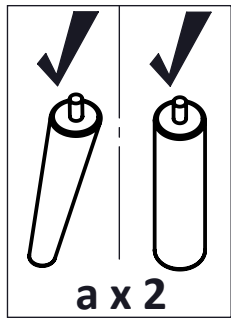


B  
D  
F  
H

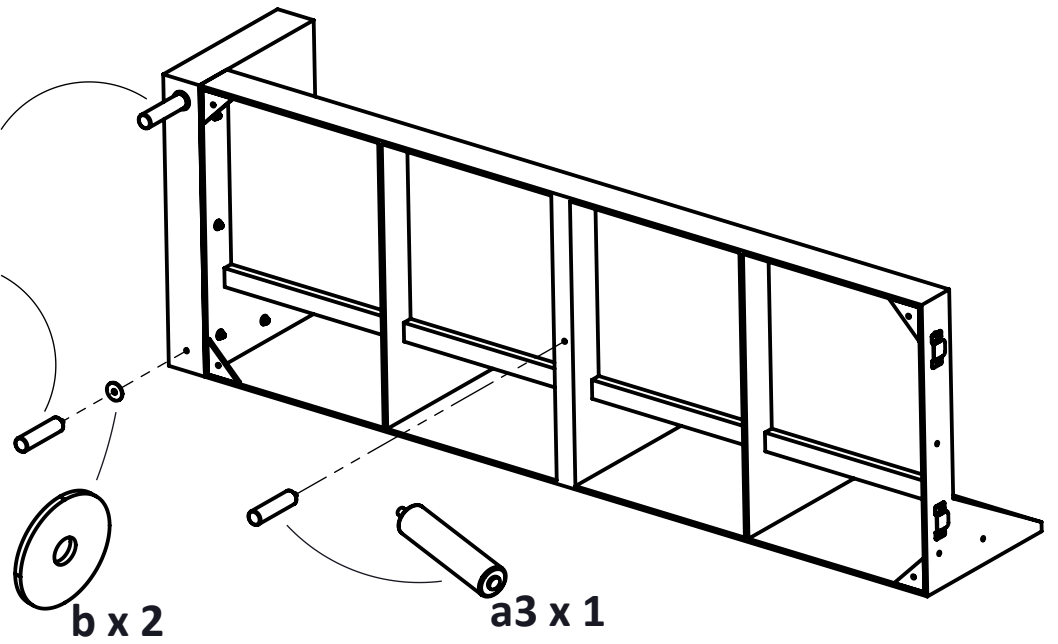
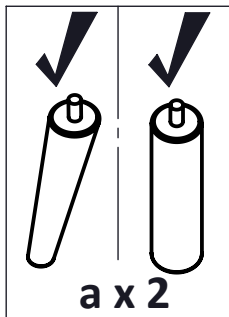




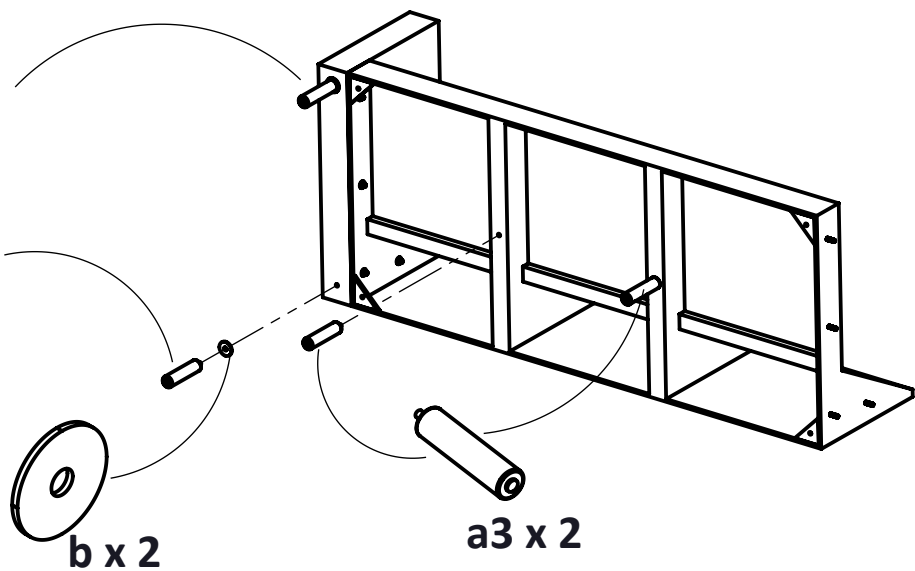
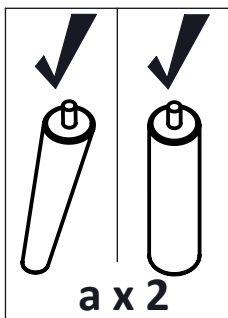
A  
B  
C  
D

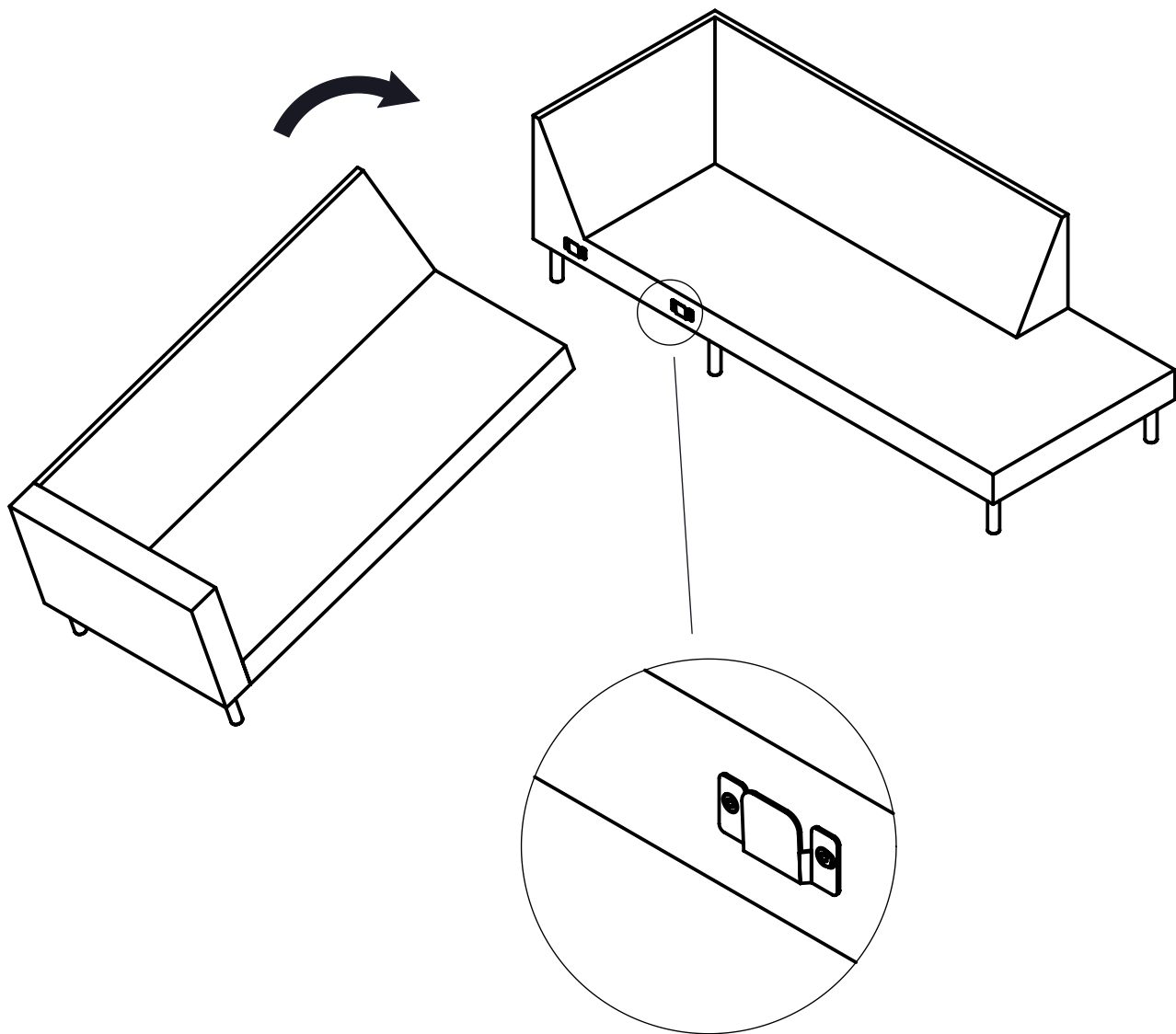
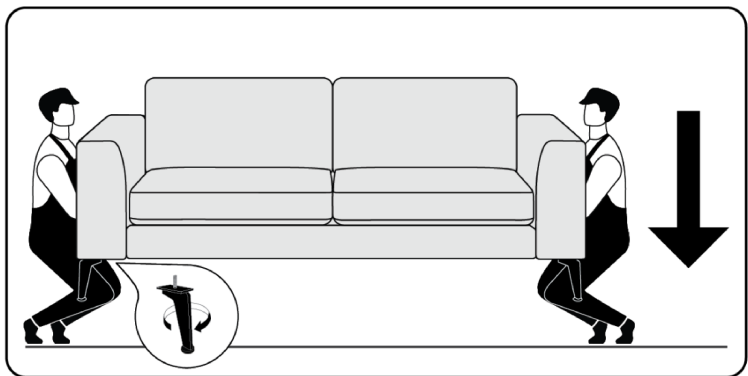


E  
F

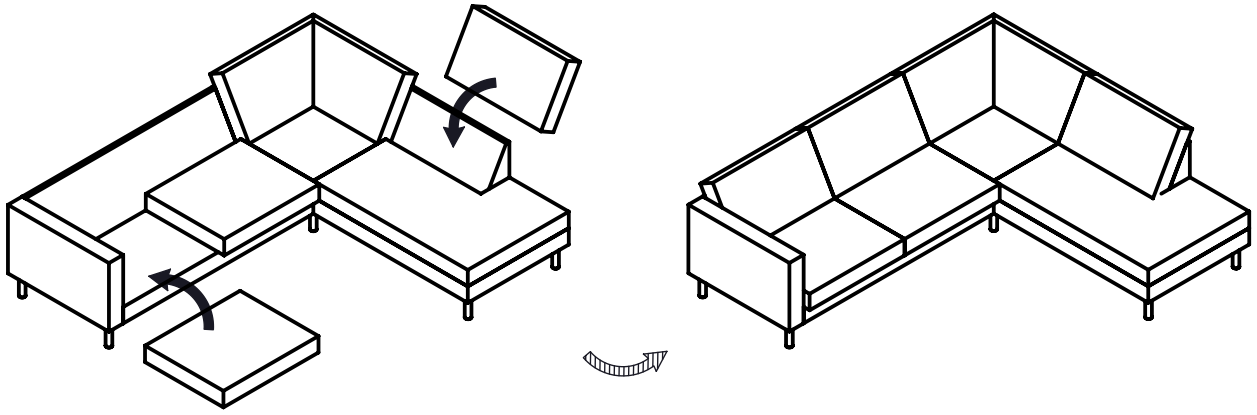


G  
H

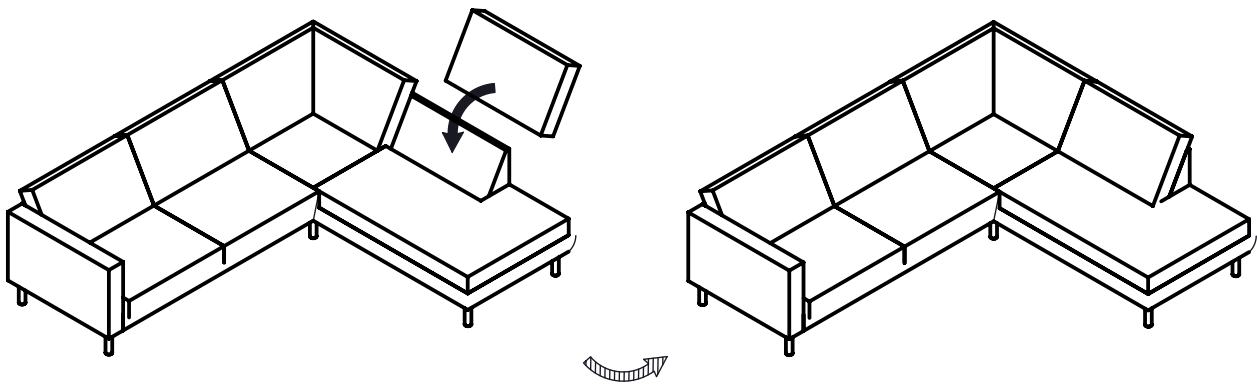




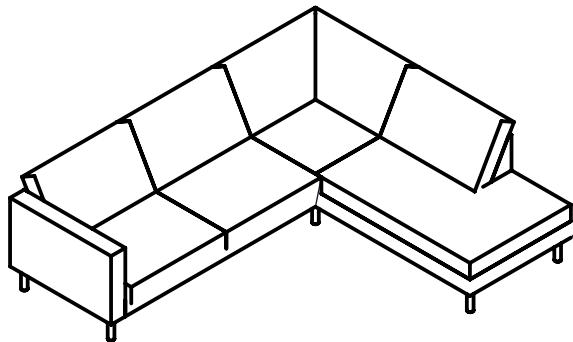
V1



V2



V3



V4

