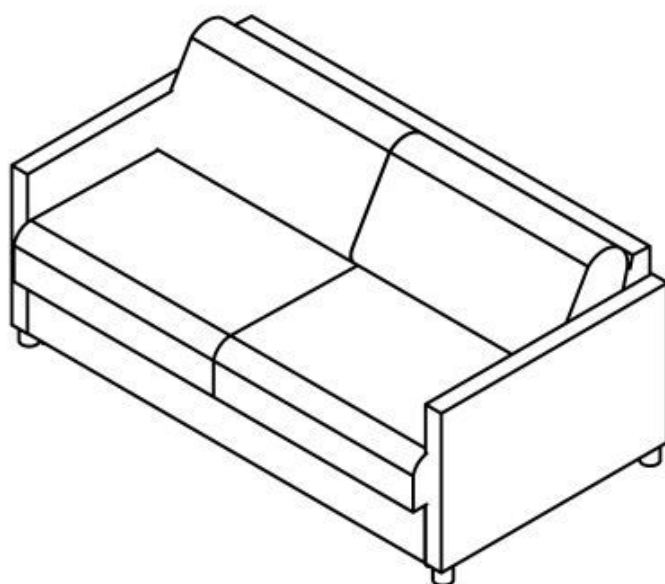
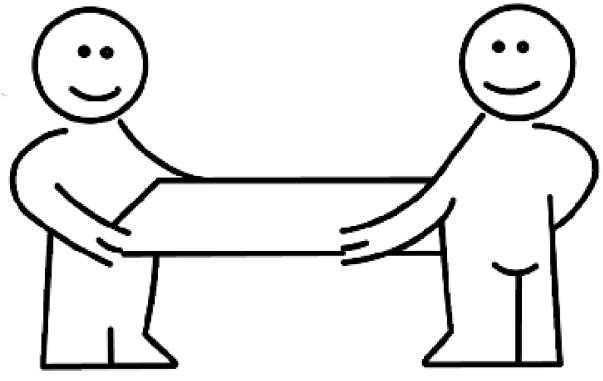


Kokkupanekujuhend Assembly instructions

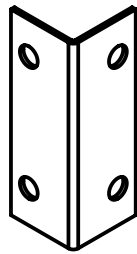
Diivanvoodi LEANA hall (77748)
Sofa bed LEANA grey (77748)



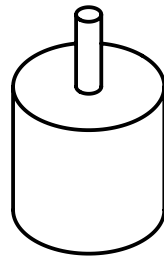


M6x16

x16

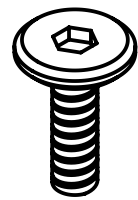


x2



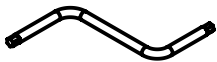
60x60

x4



M8x16

x8

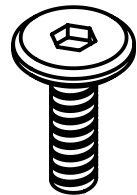


x1



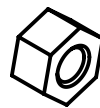
D30

x6



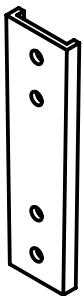
M8x30

x4



M10

x4



x6

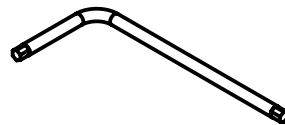


x2

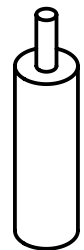


D16

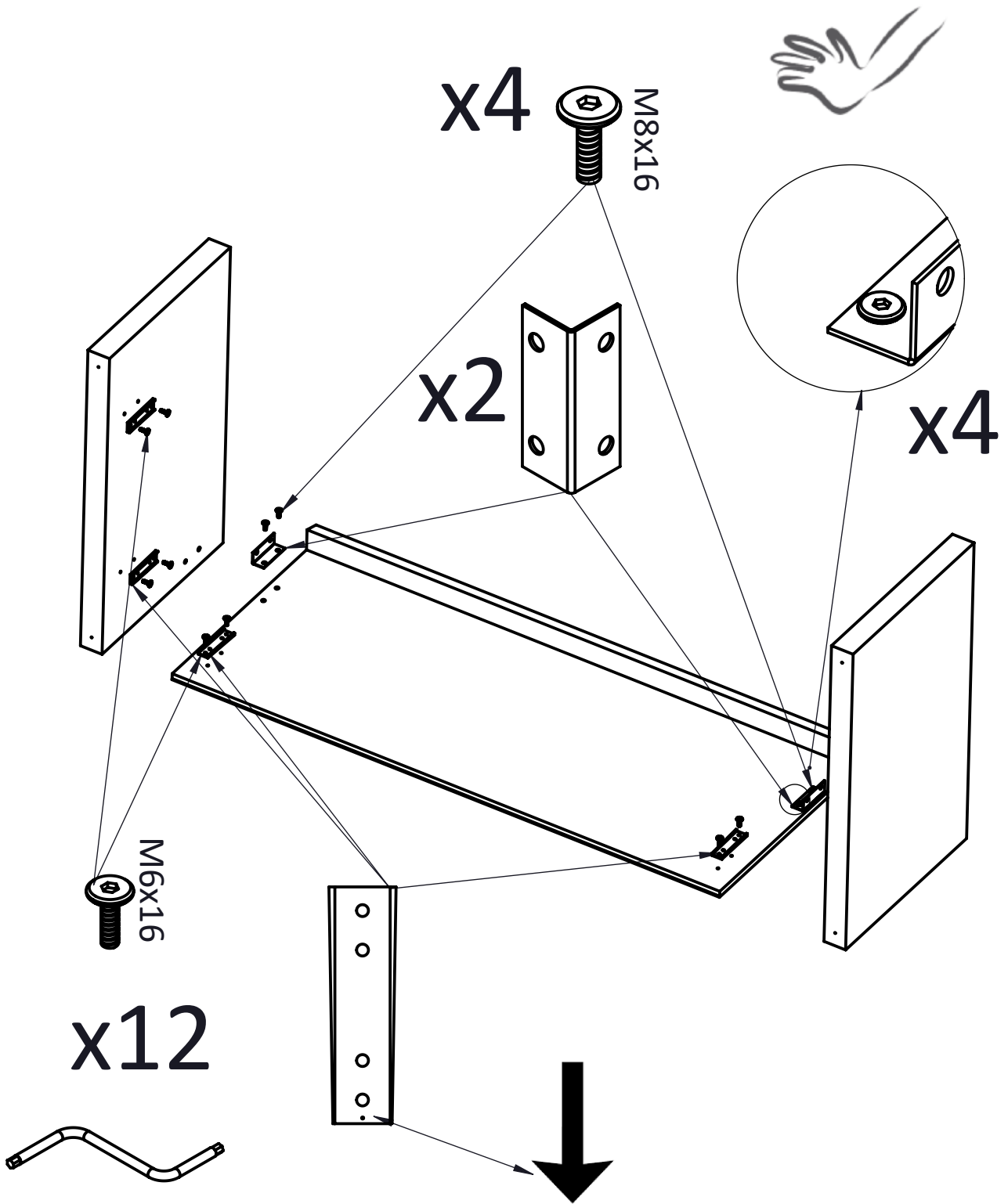
x4

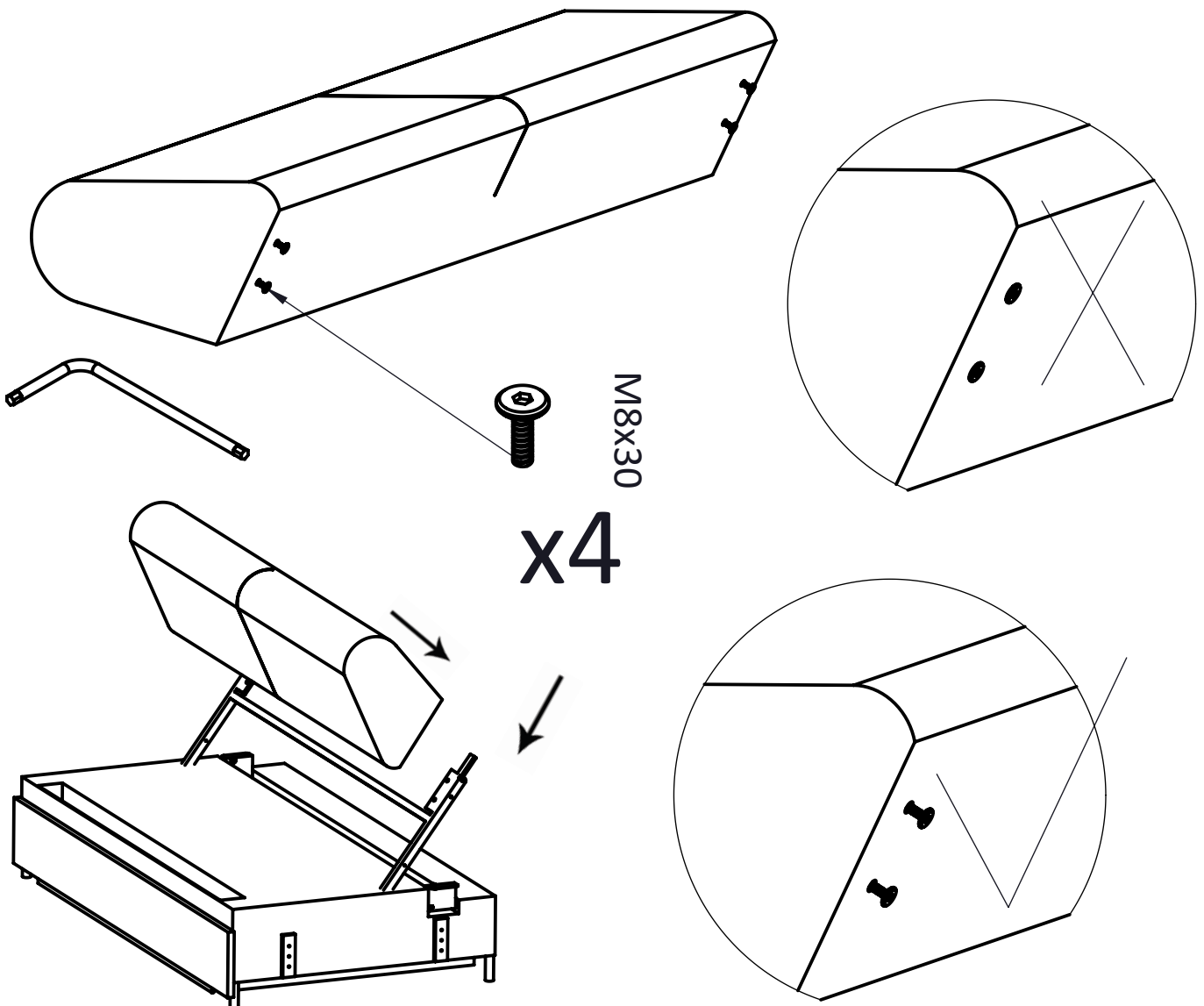
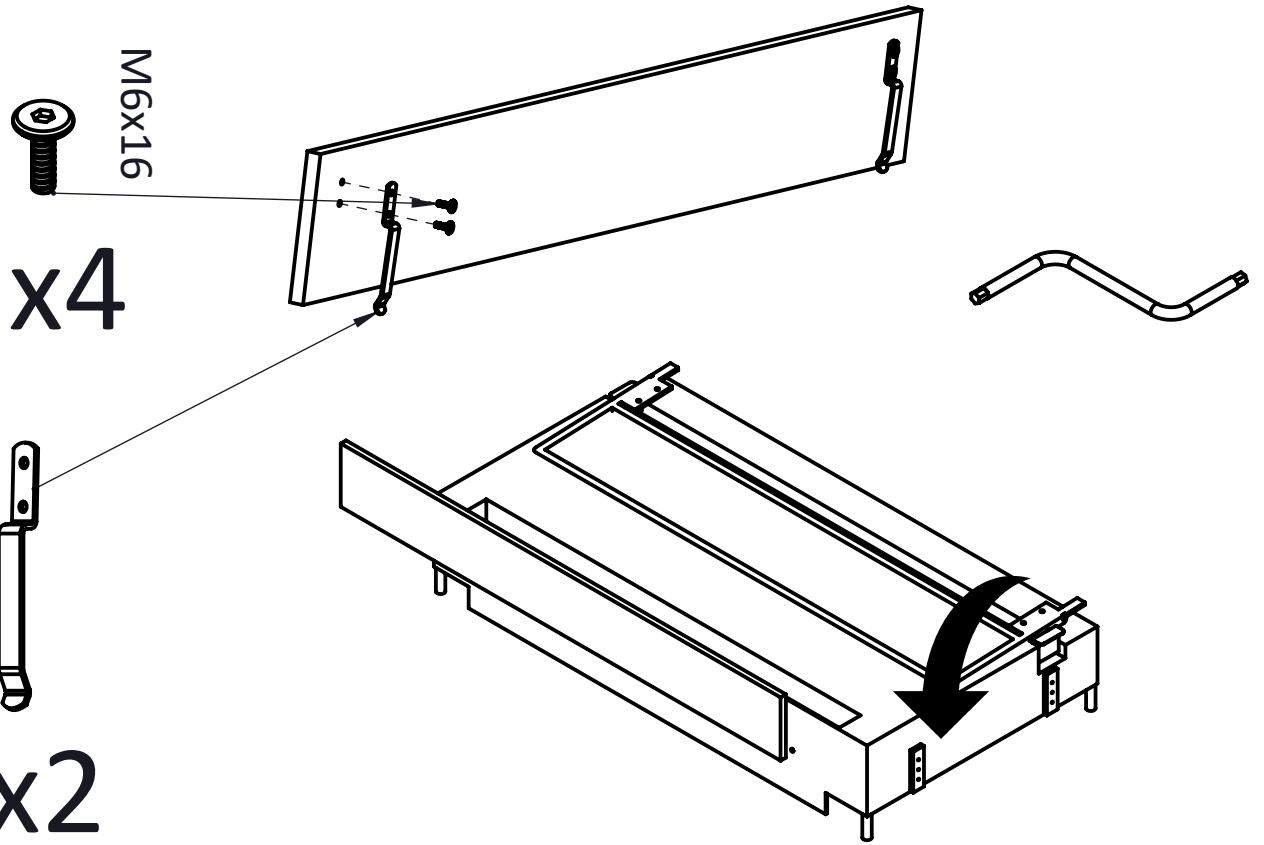


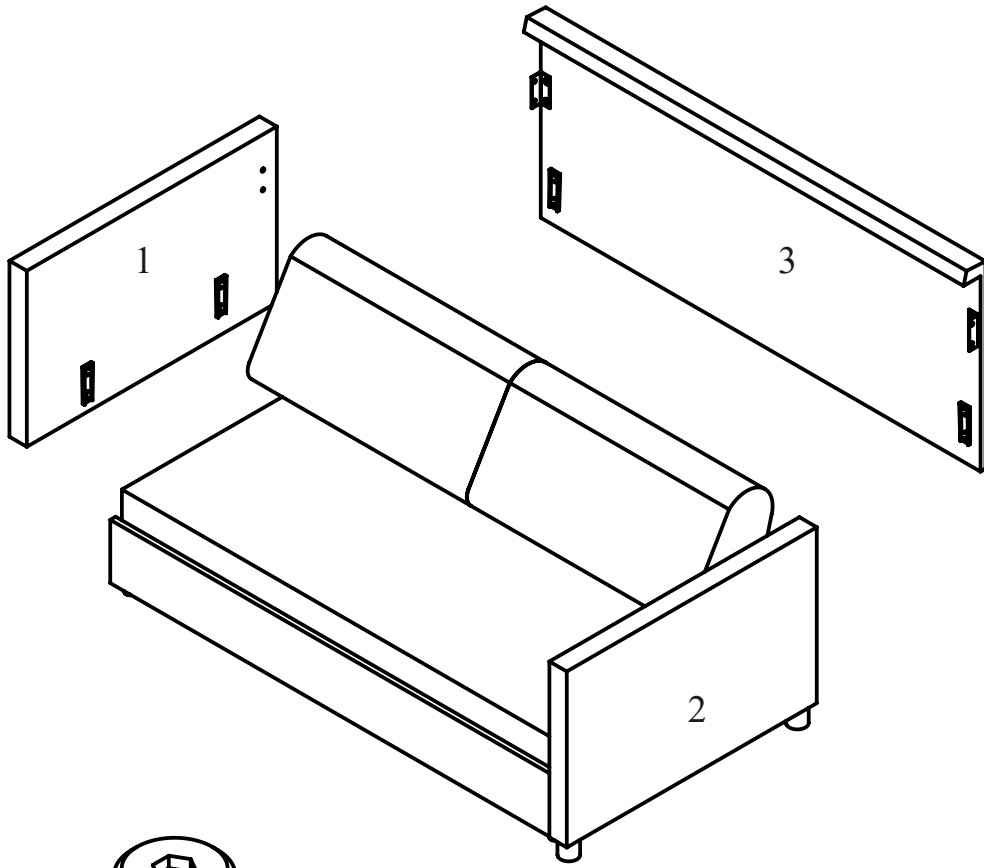
x1



x4

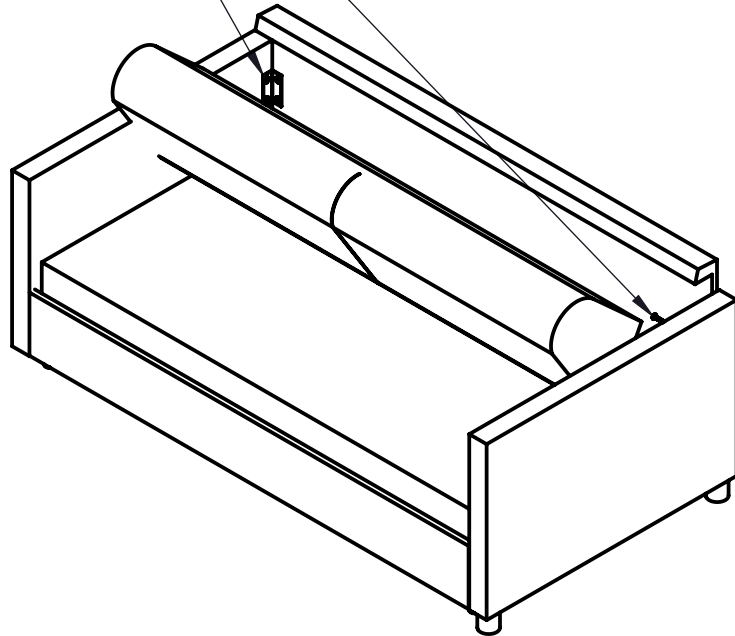
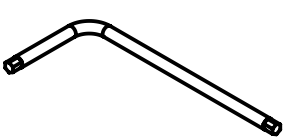


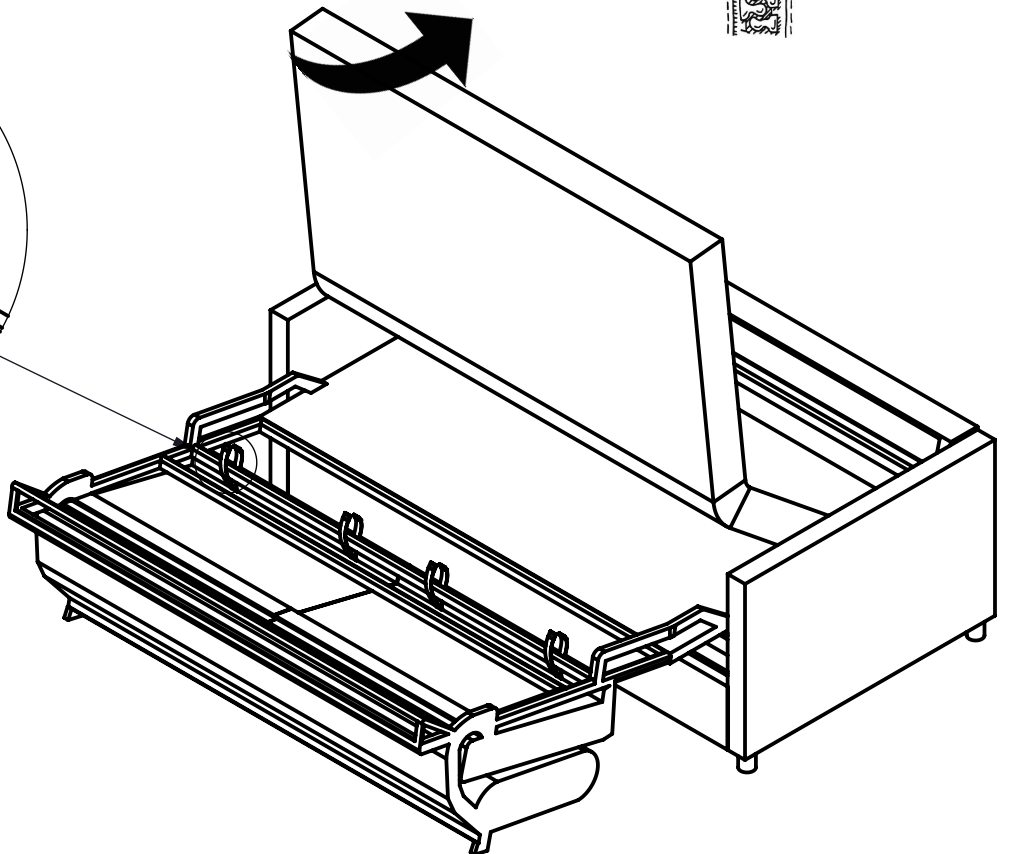
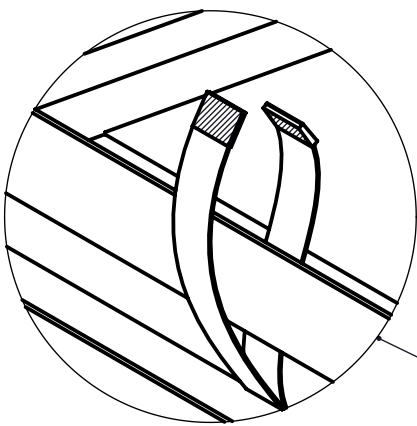
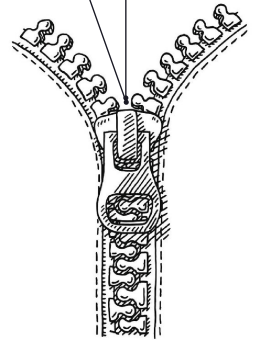
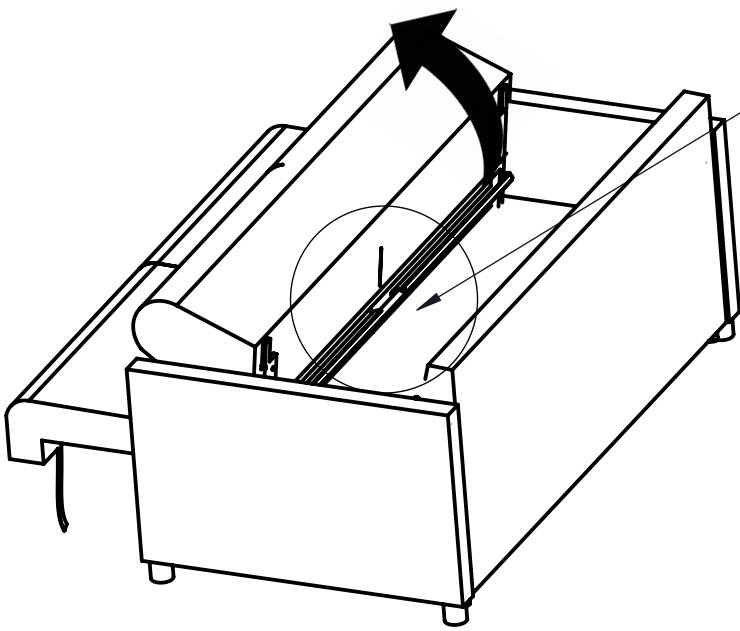
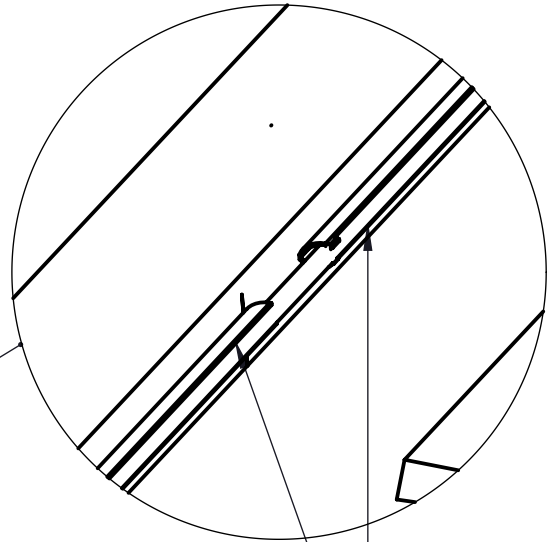
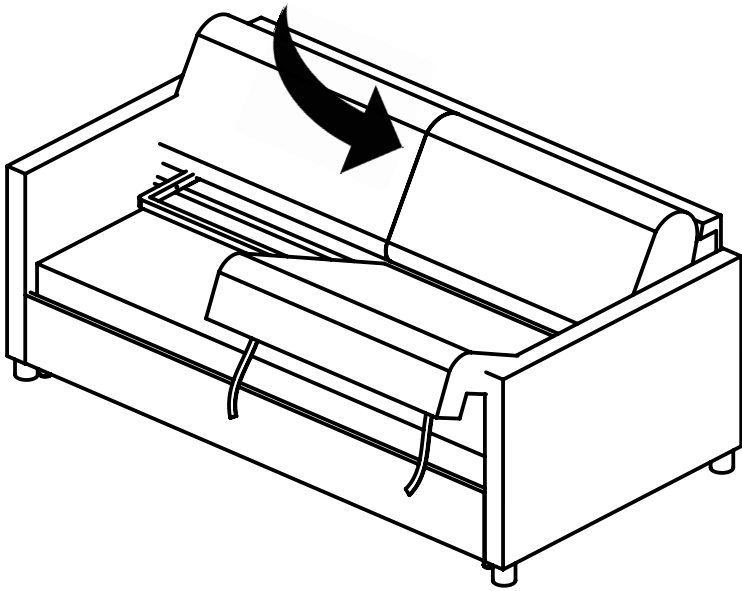


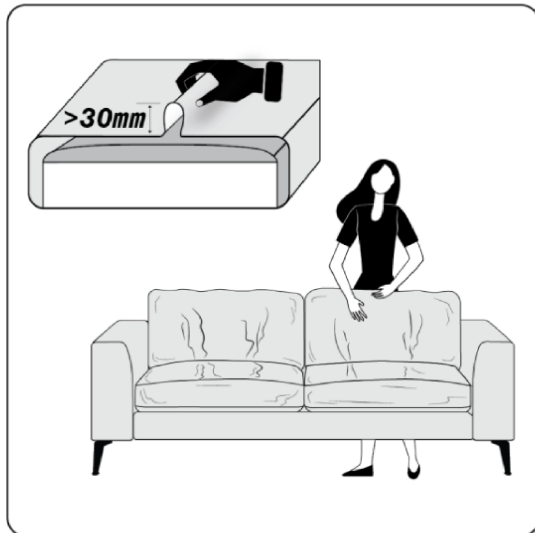
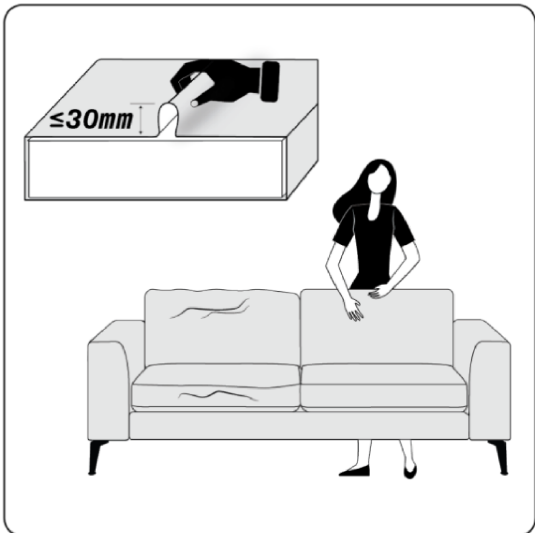
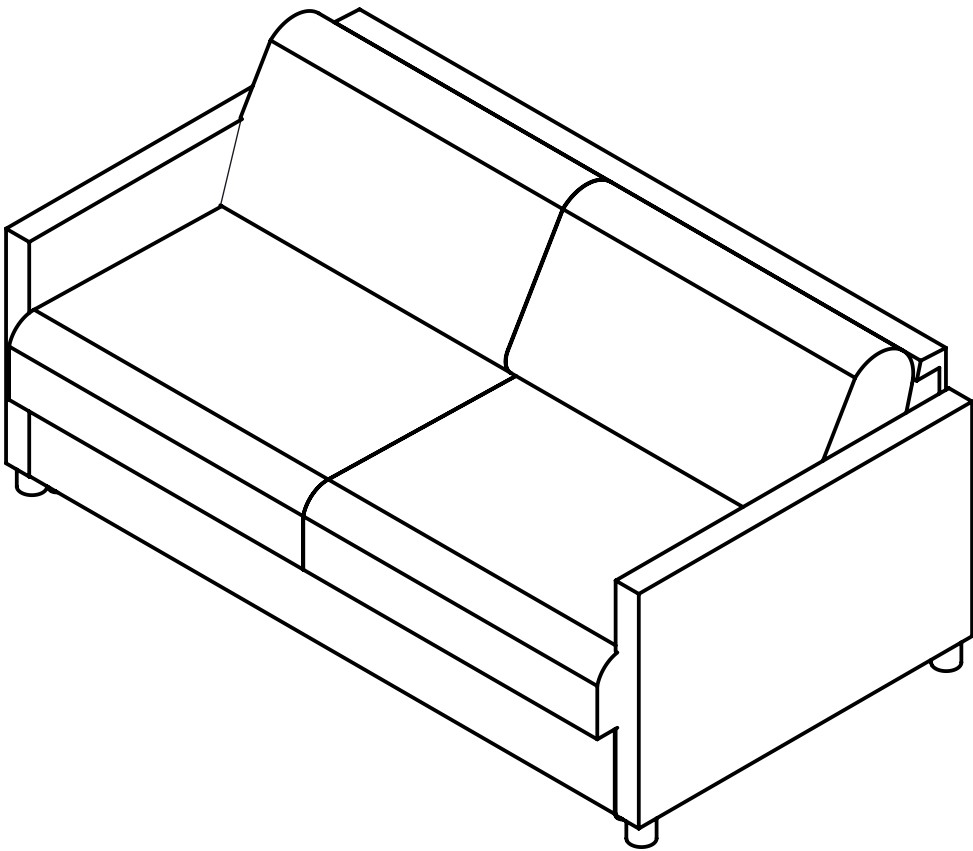


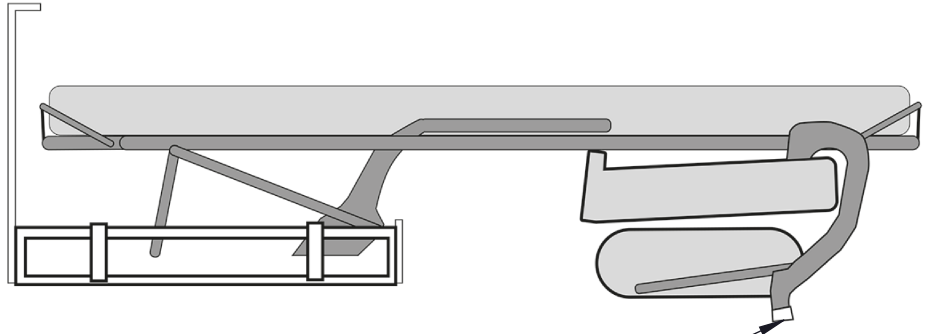
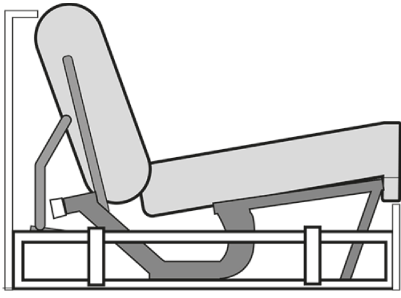
M8x16
x4

A single M8x16 hex head screw is shown, with lines pointing to the four locations where it will be used to secure the backrest to the sofa frame.









D30
x2

