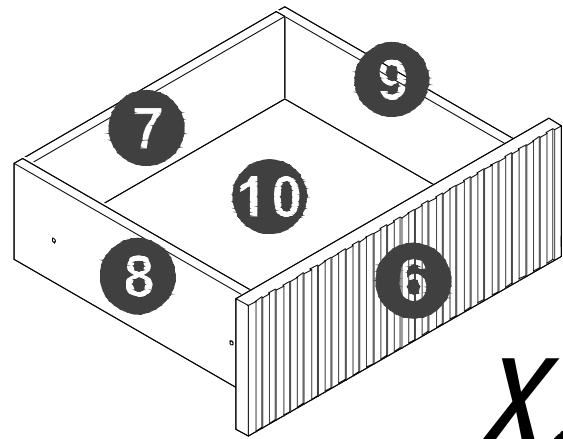
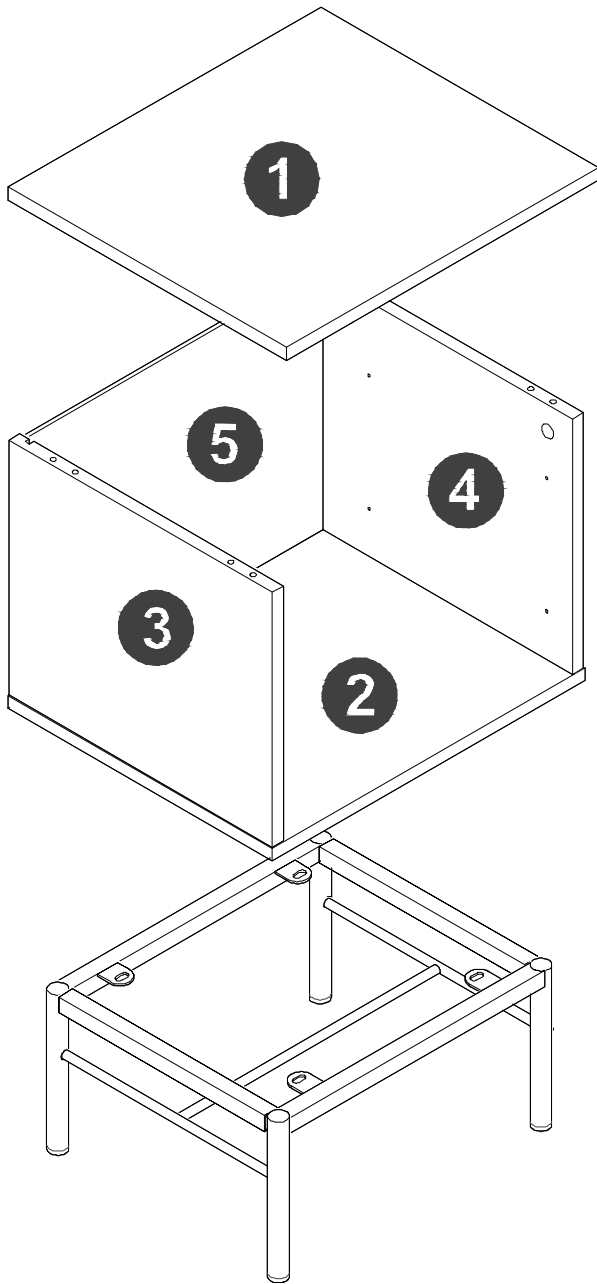


Panel No	Panel Sizes	Quantity
1	450*400*16	1
2	450*381*16	1
3	380*318*16	1
4	380*318*16	1
5	426*328*5	1

Panel No	Panel Sizes	Quantity
6	450*163*18	2
7	366*120*12	2
8	350*120*12	2
9	350*120*12	2
10	376*348*5	2

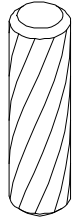


X2

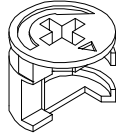
Fittings



A=4



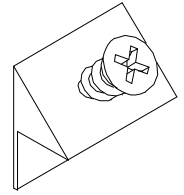
B=8



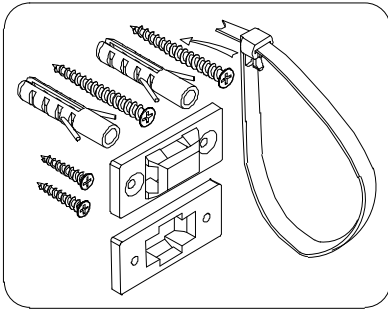
C=4



D=20



E=4

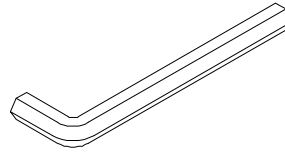


F=1



M6*16

G1=8



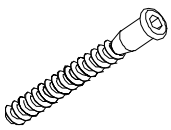
H=1



O=16

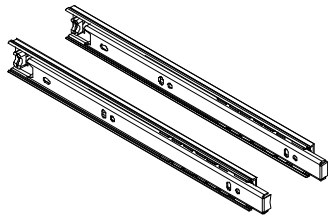


P=16



$\Phi 7*50$

Q=4



N=2



M3.5*12

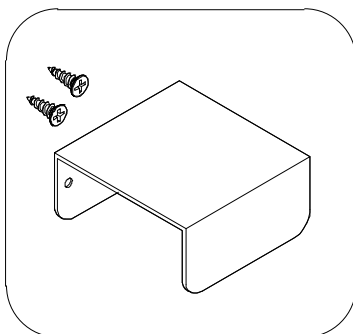
V1=16



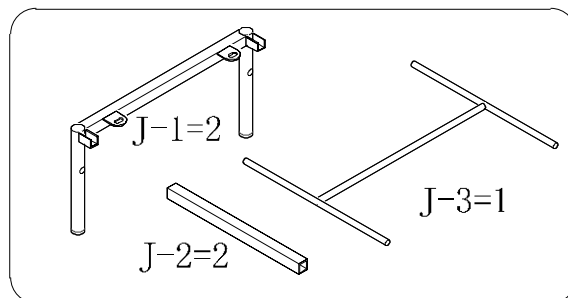
Z1=4



Z2=4



U=2

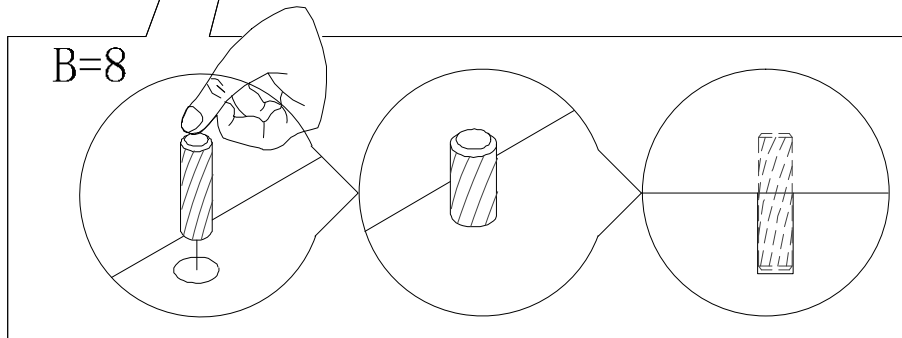
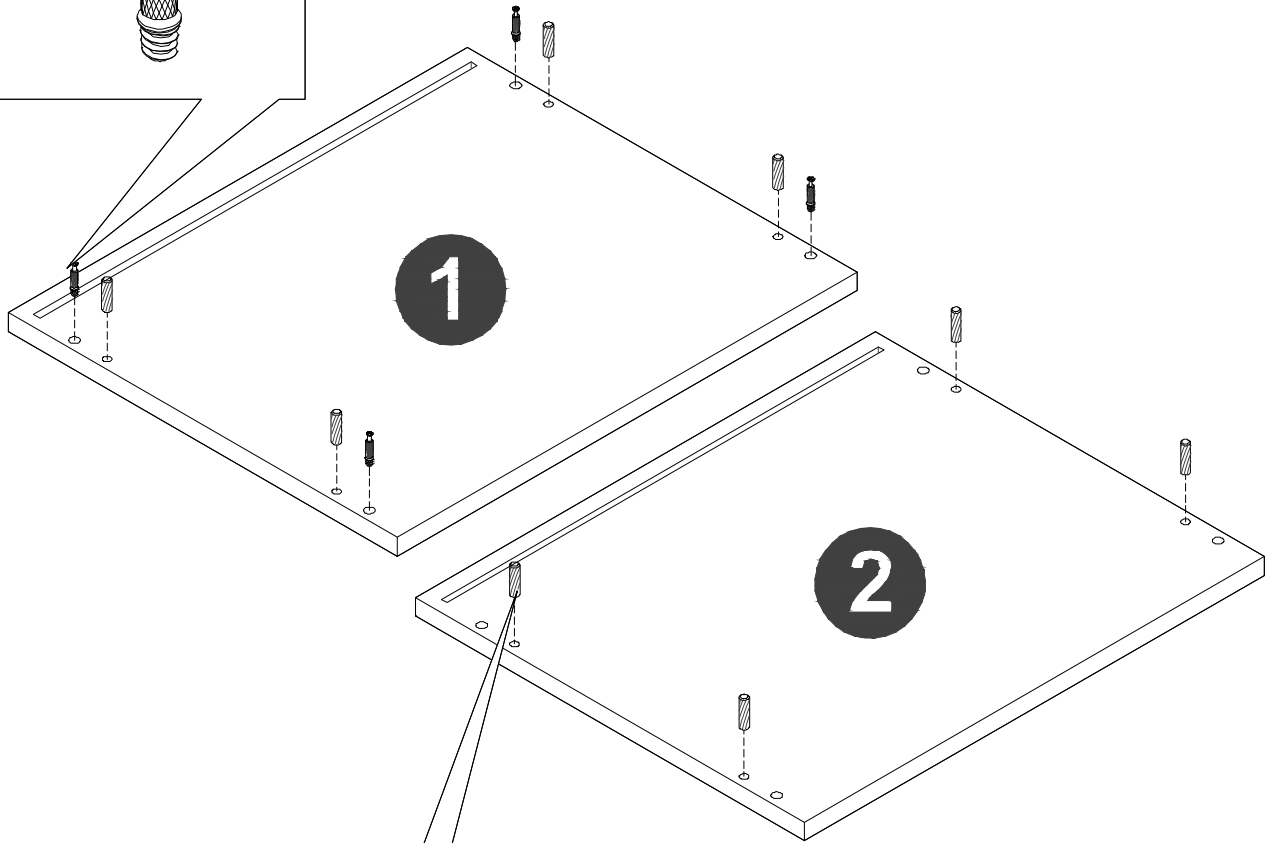
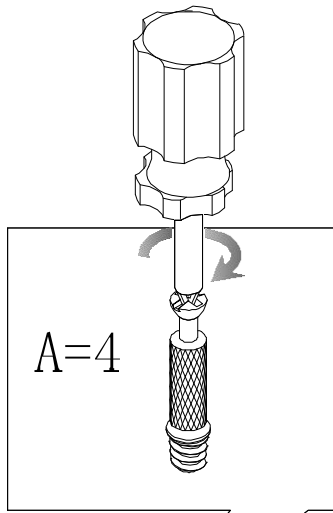


J-1=2

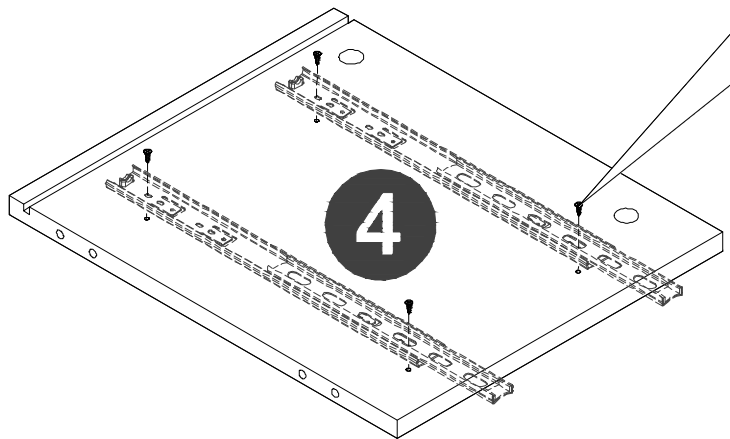
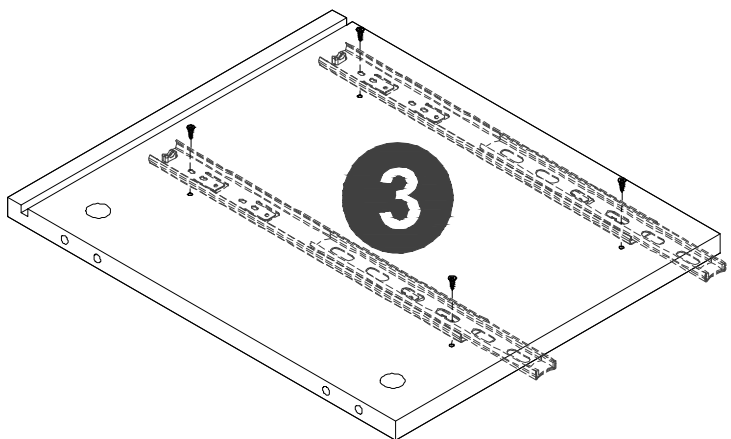
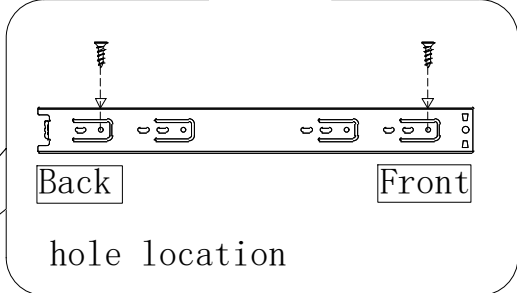
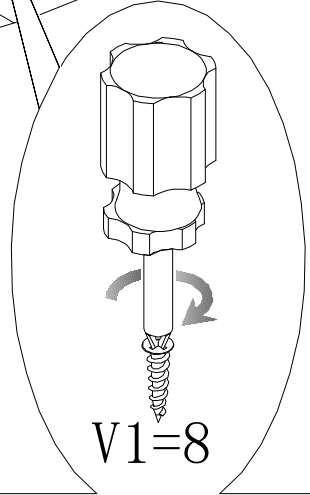
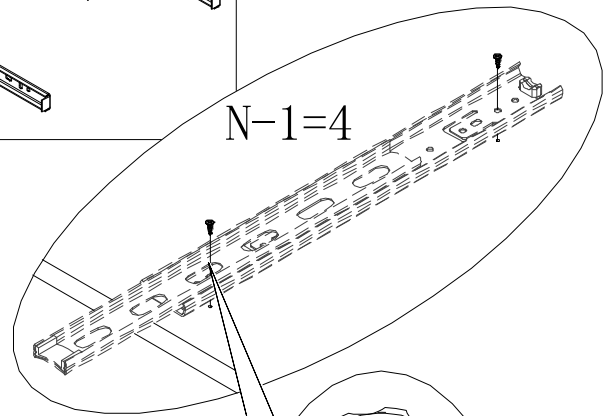
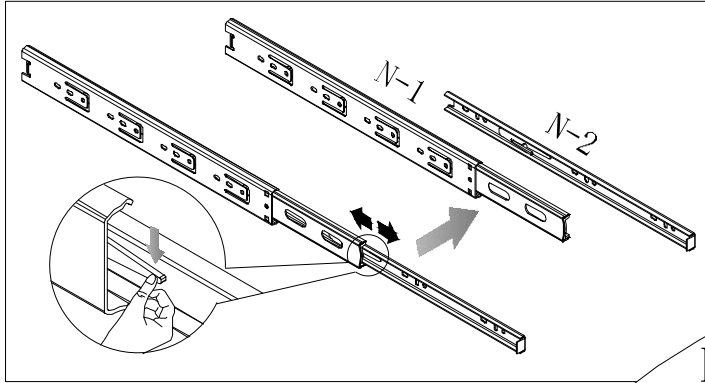
J-2=2

J-3=1

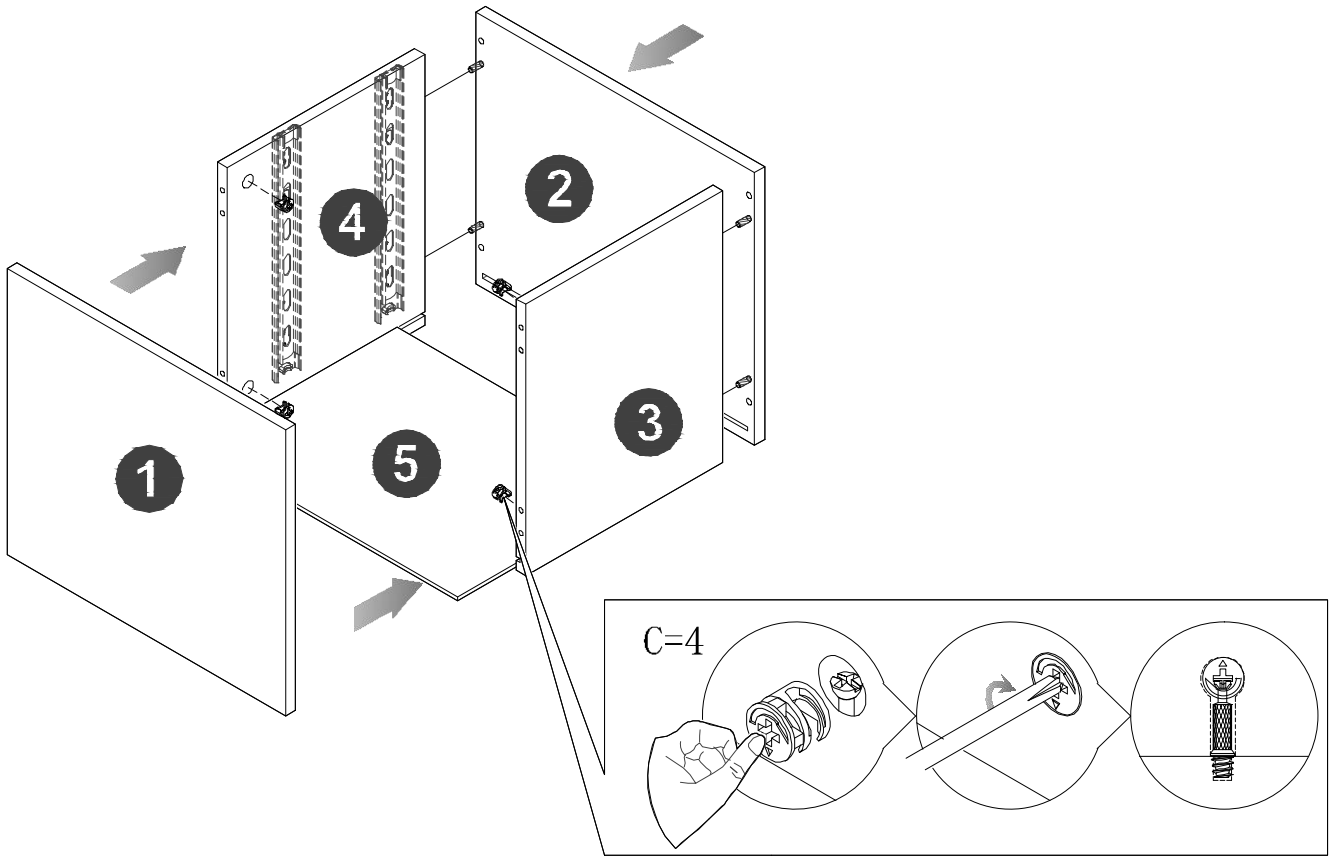
1



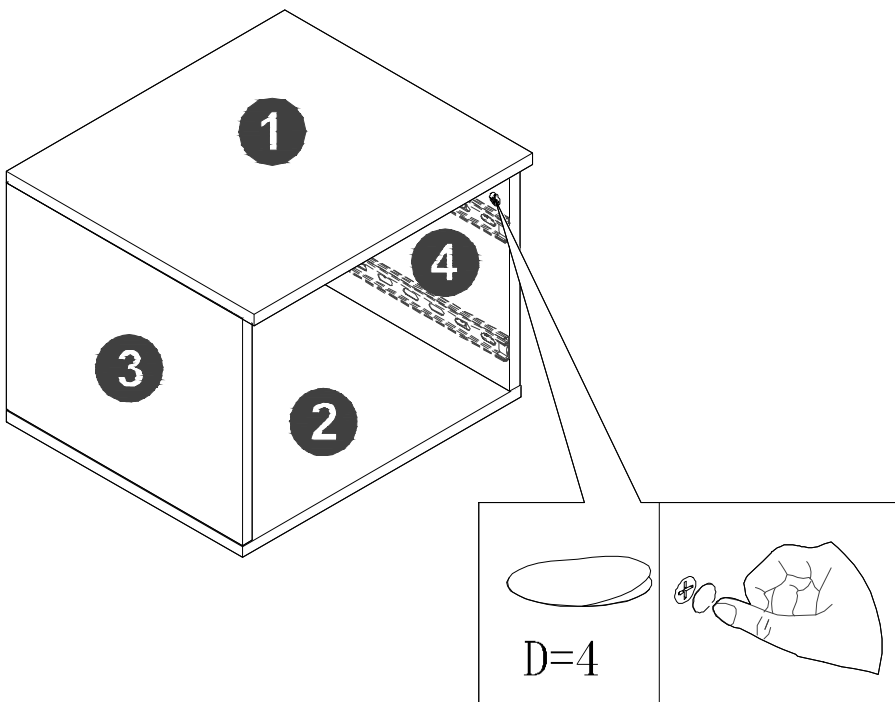
2



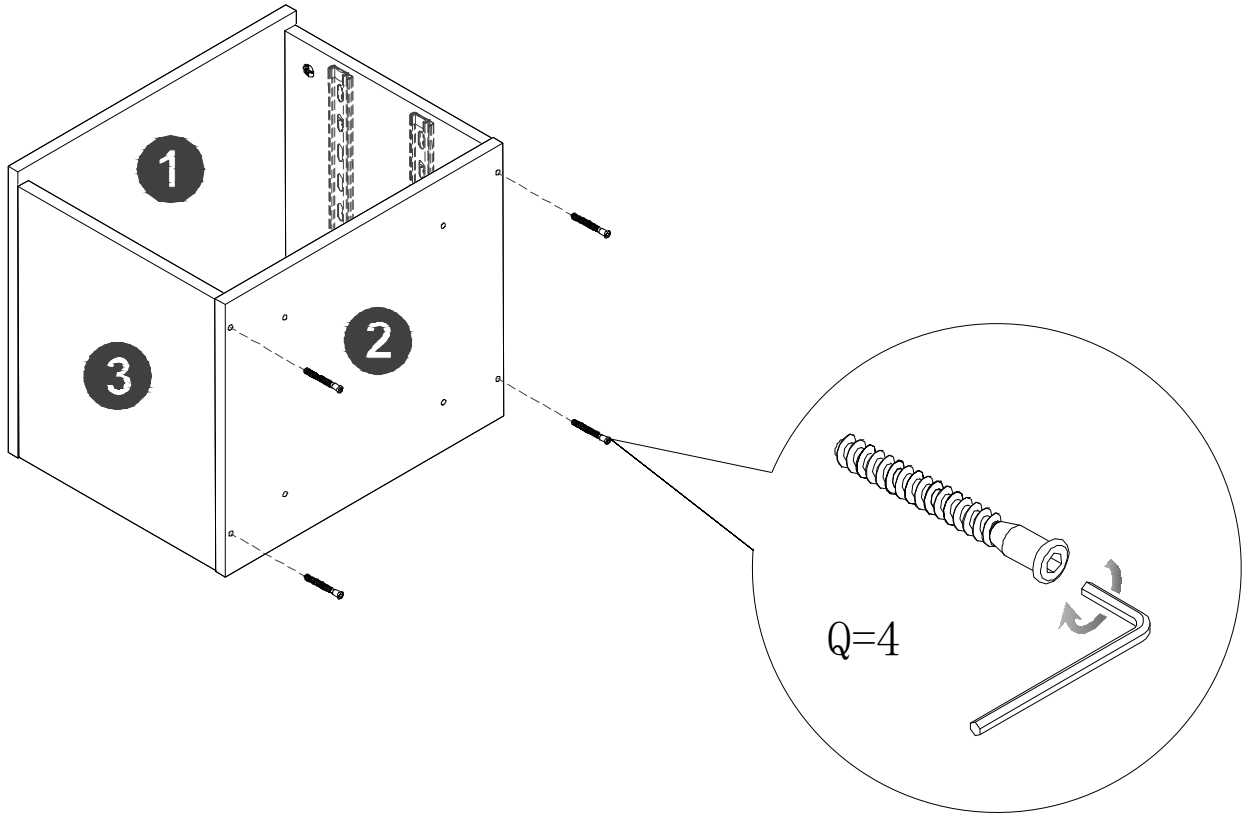
3



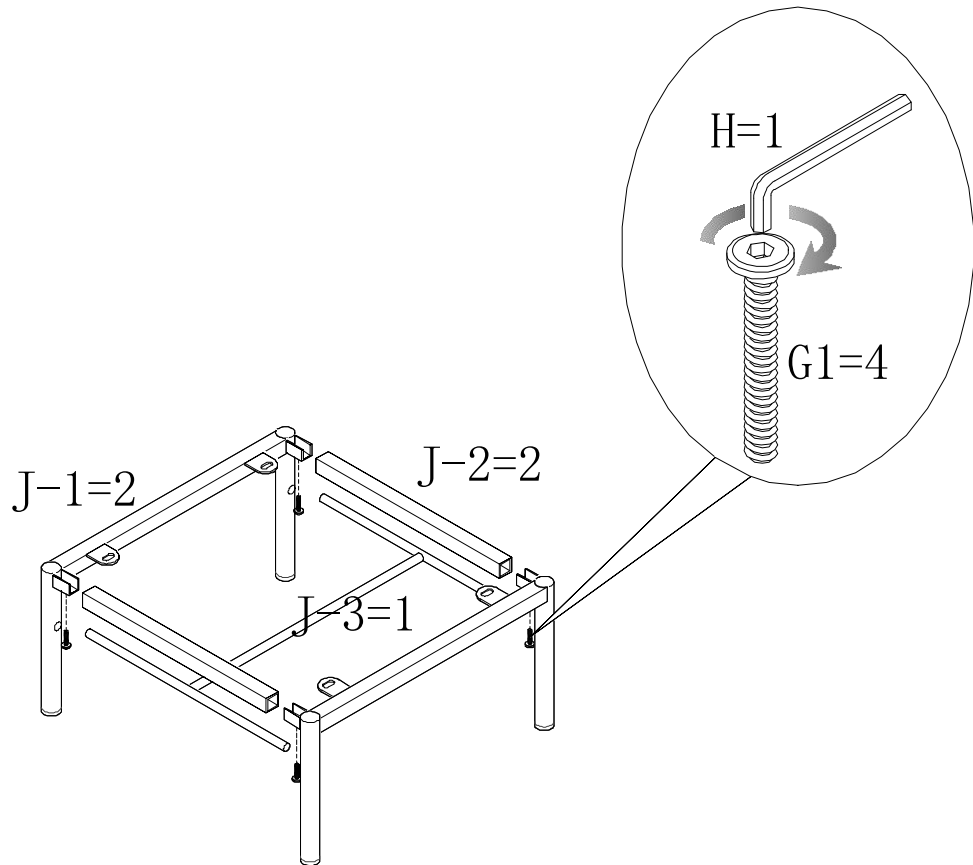
4



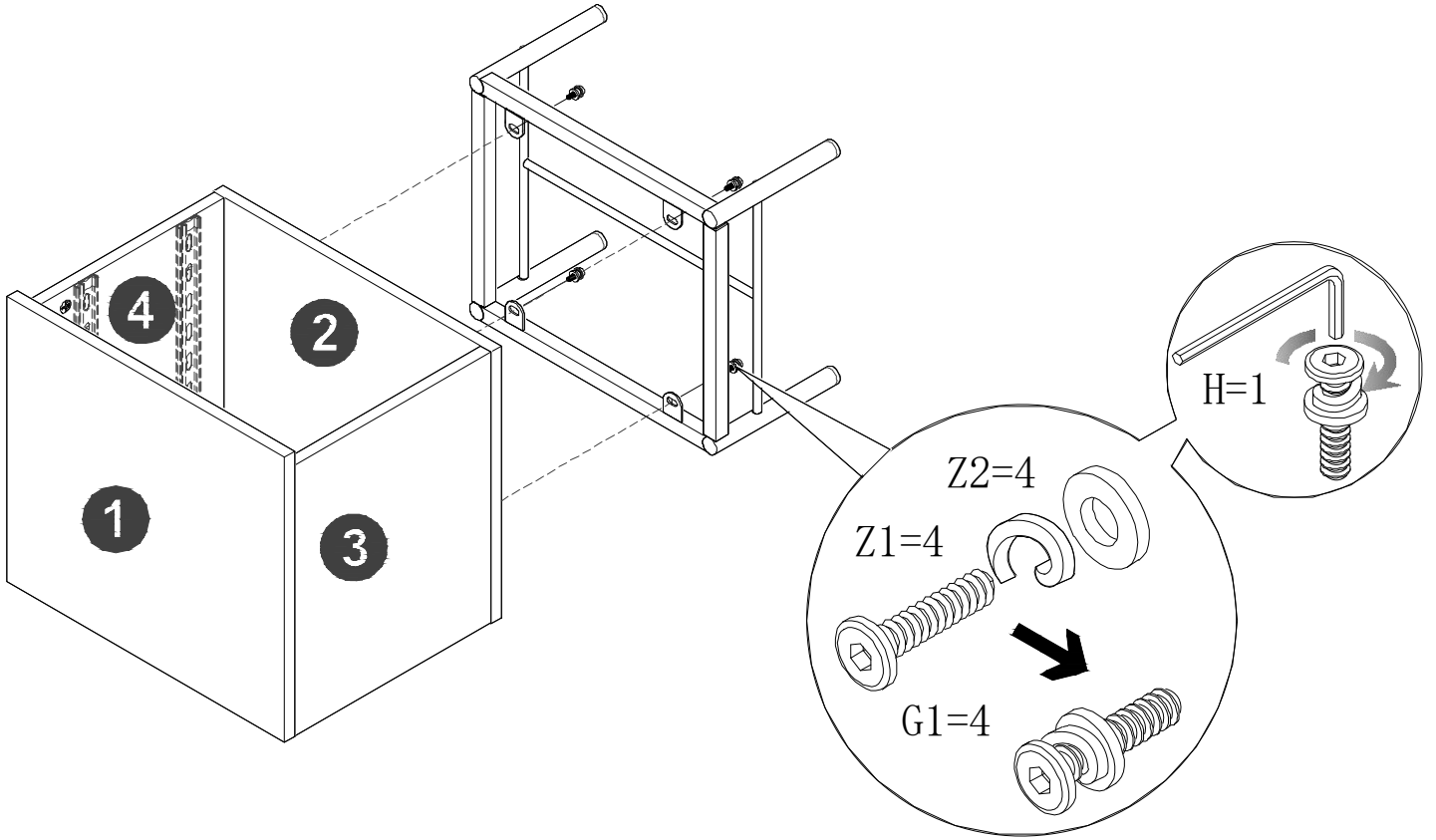
5

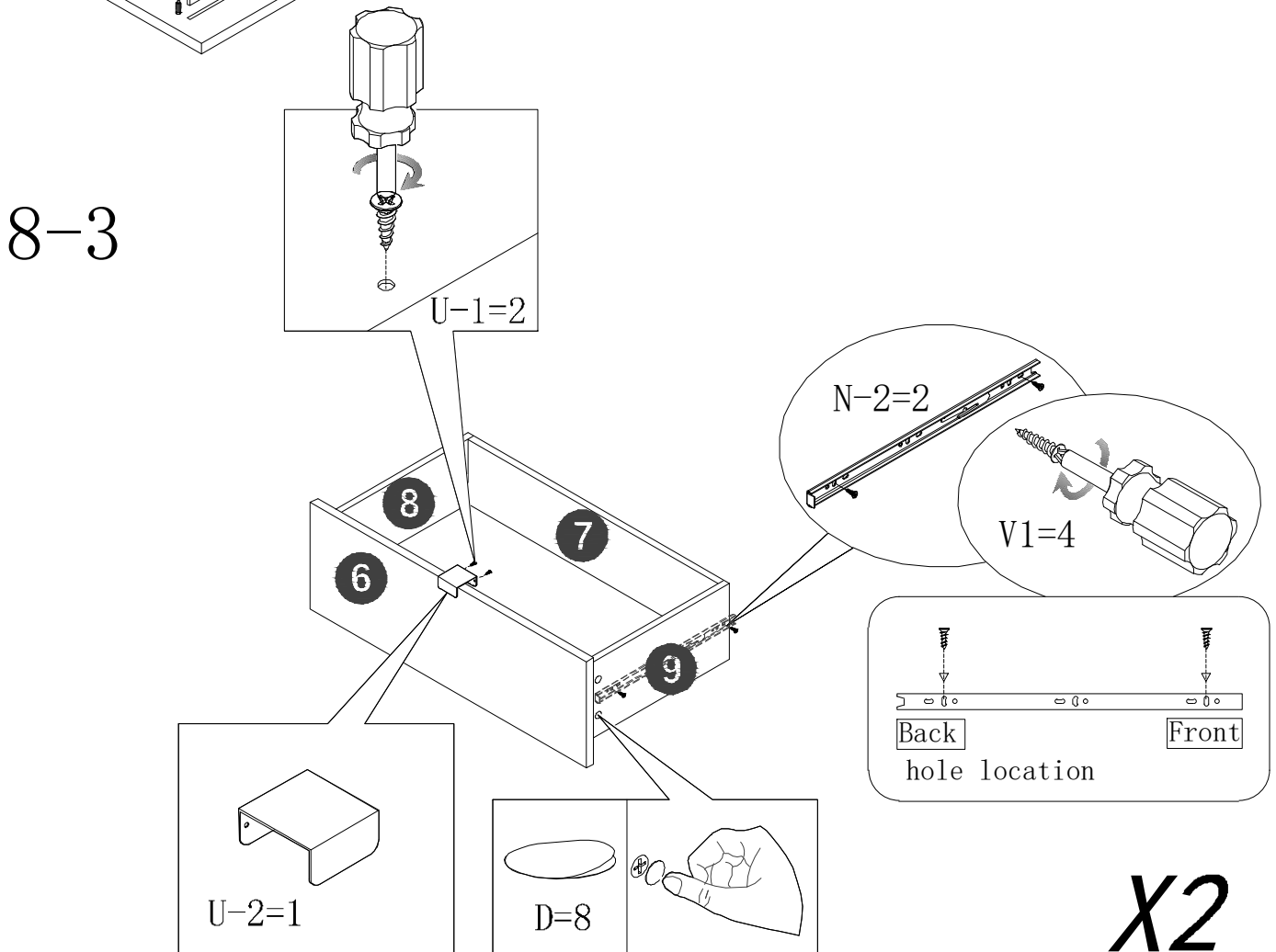
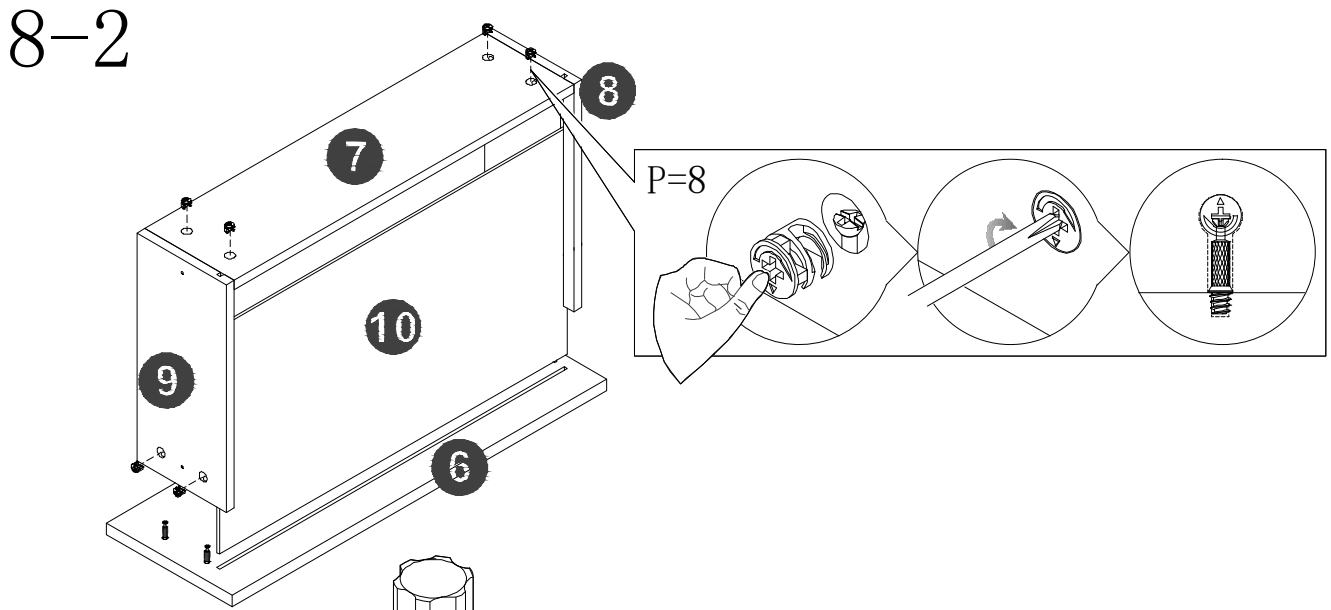
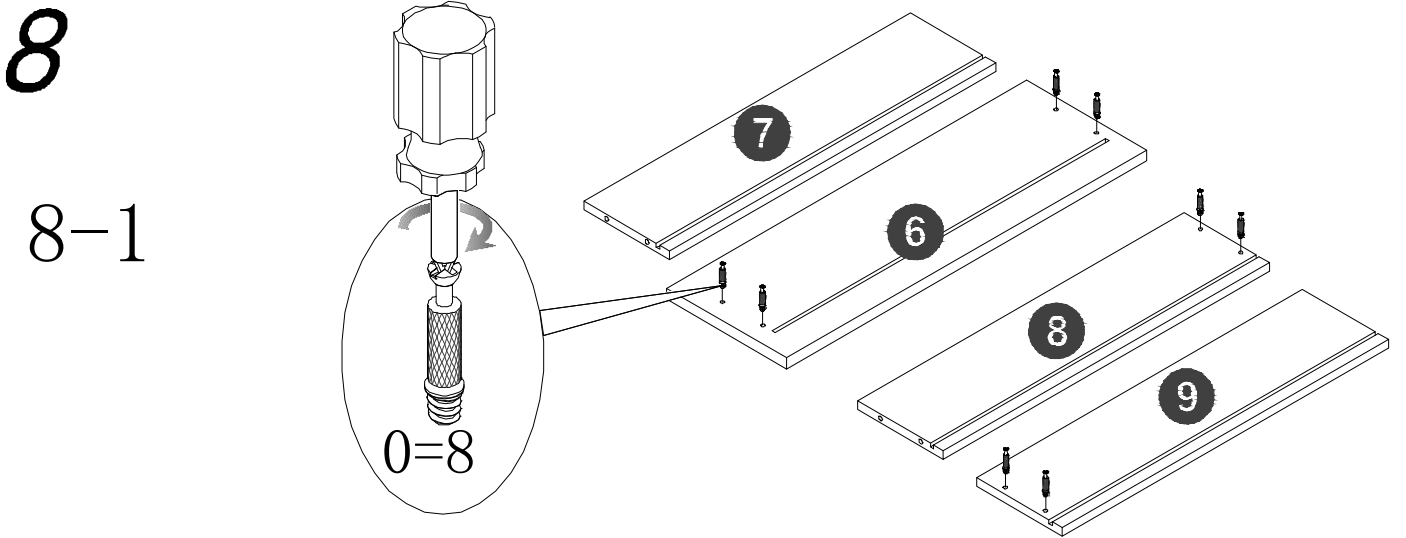


6

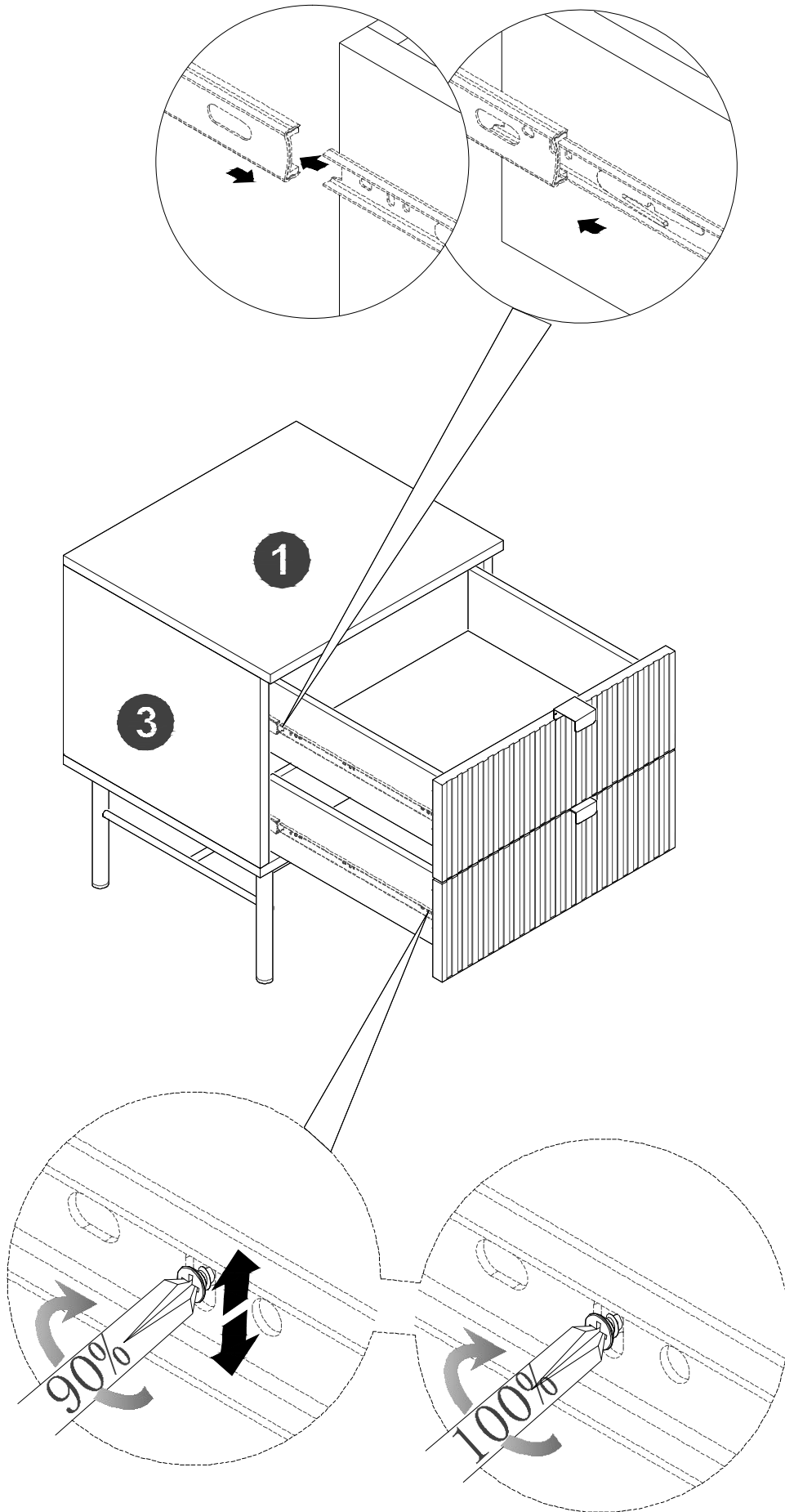


7

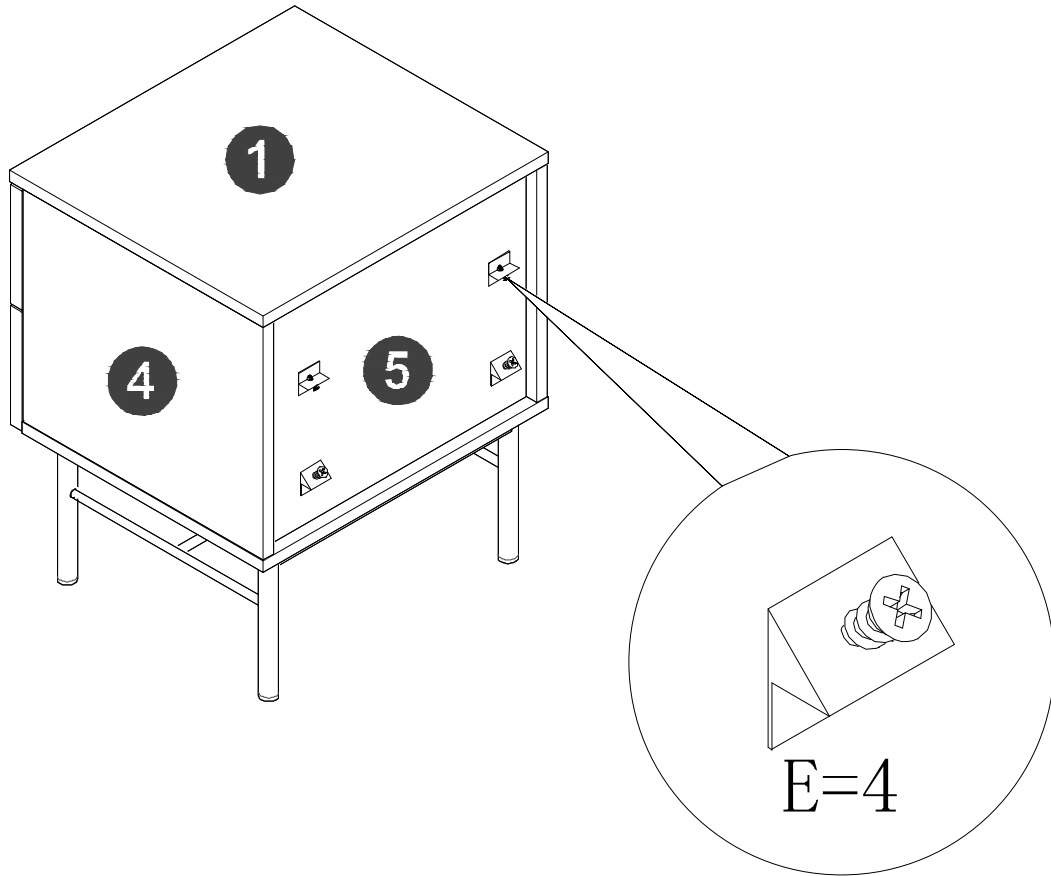




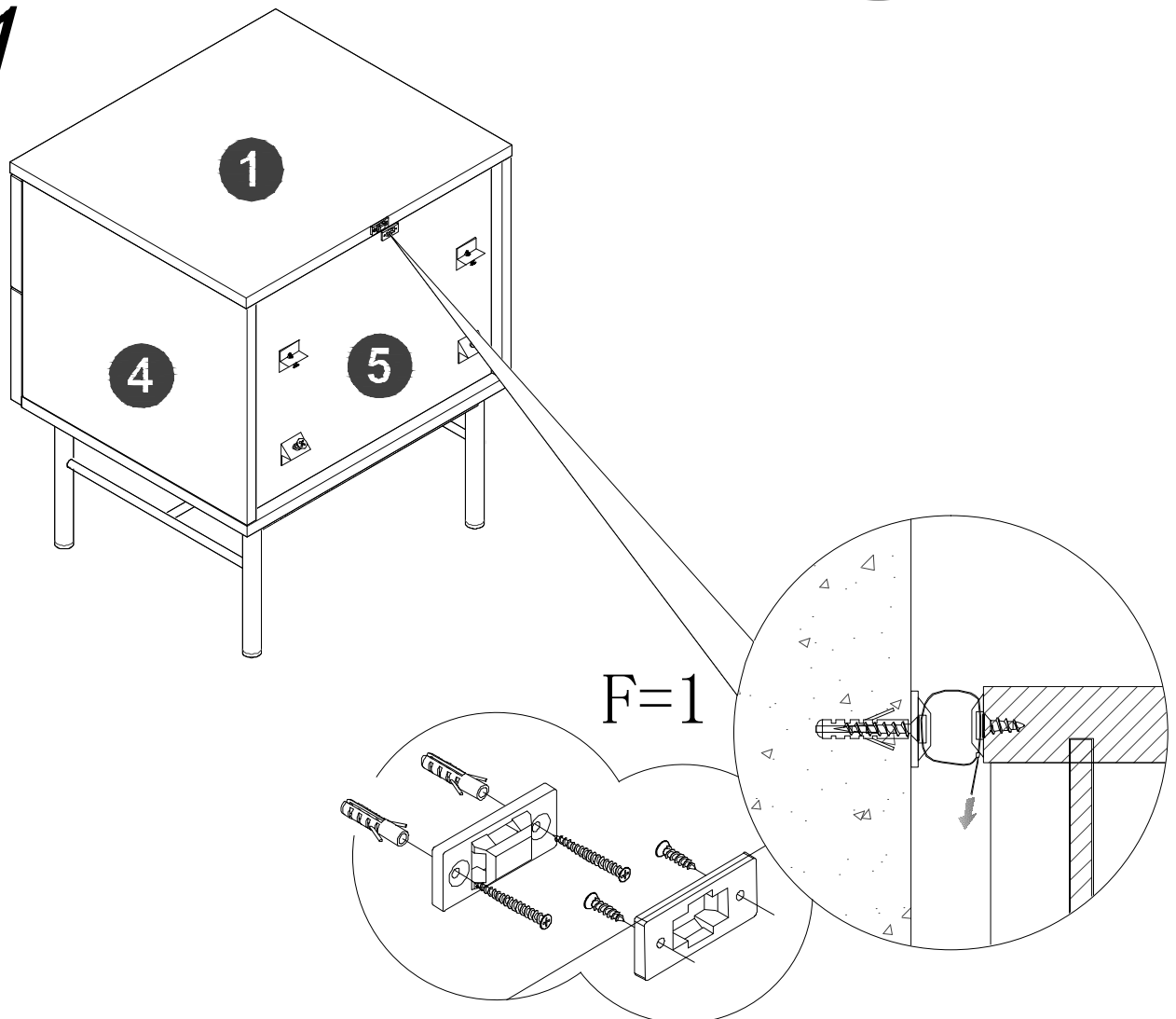
9



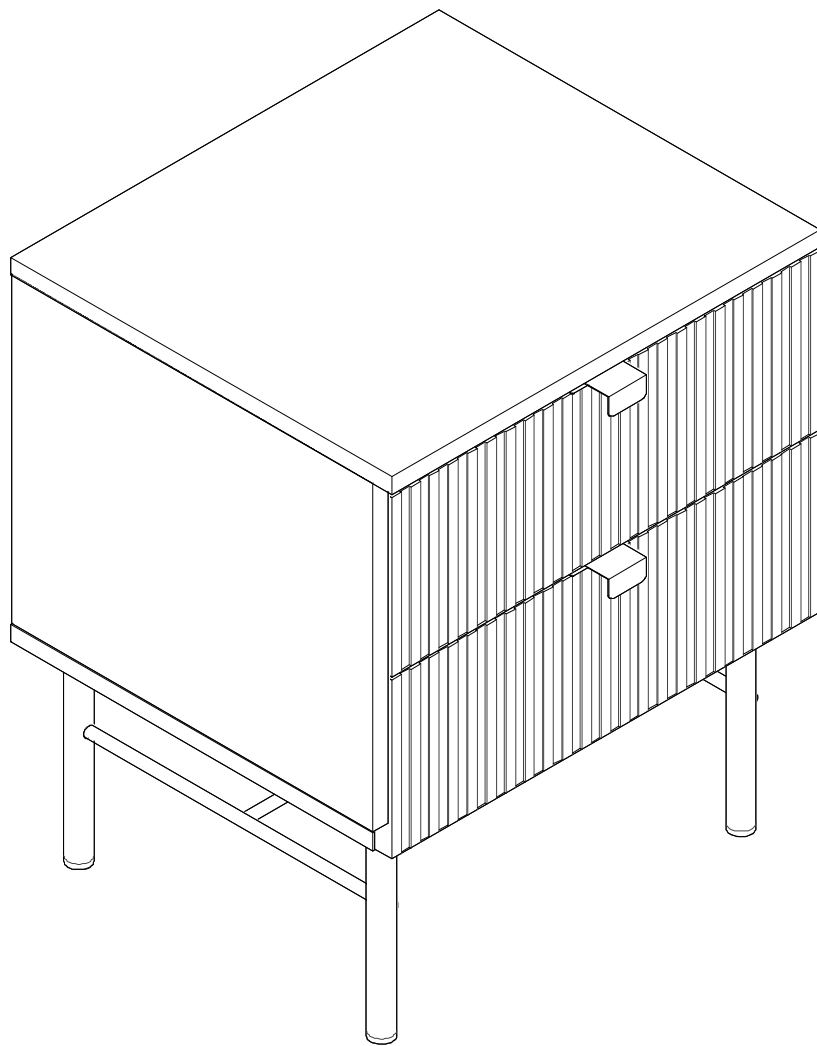
10



11



12



Finish