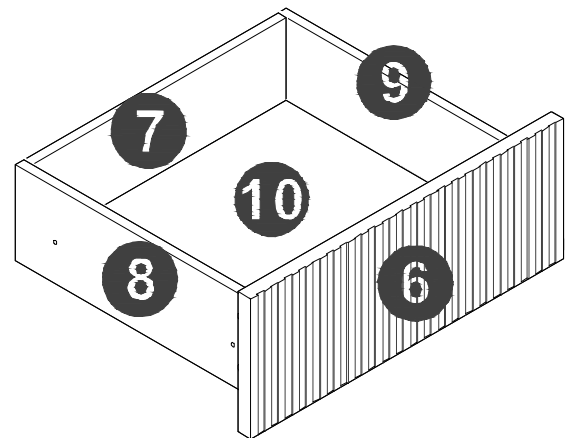
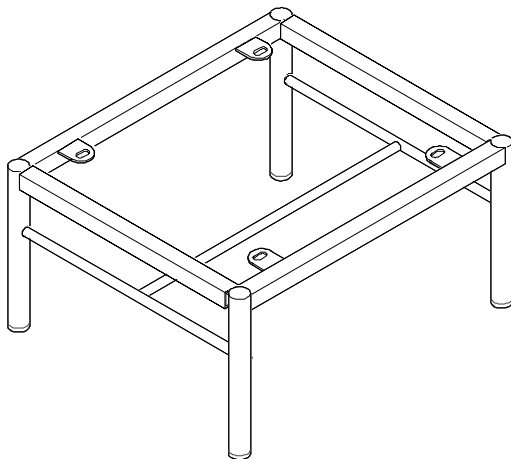
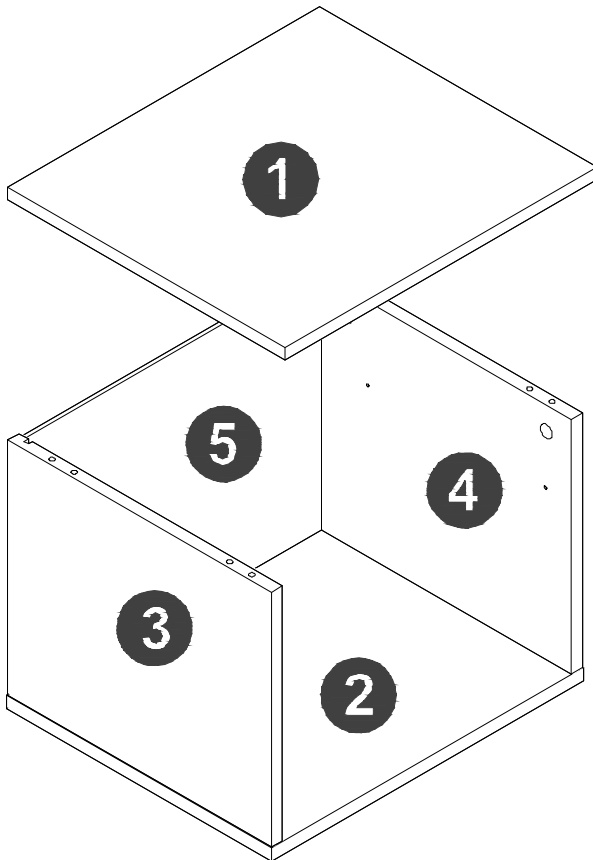


Panel No	Panel Sizes	Quantity
1	450*400*16	1
2	450*381*16	1
3	380*318*16	1
4	380*318*16	1
5	426*328*5	1

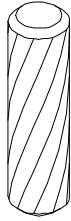
Panel No	Panel Sizes	Quantity
6	450*175*18	1
7	366*120*12	1
8	350*120*12	1
9	350*120*12	1
10	376*348*5	1



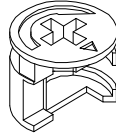
Fittings



A=4



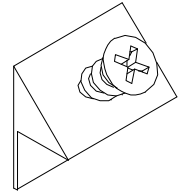
B=8



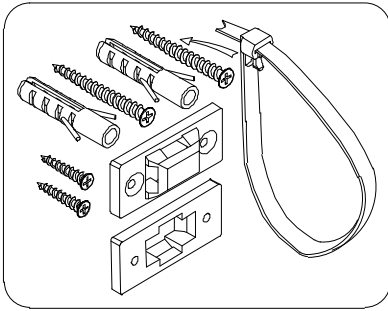
C=4



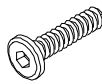
D=12



E=4

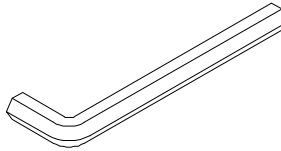


F=1



M6*16

G1=8



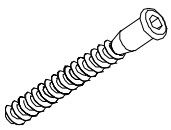
H=1



O=8

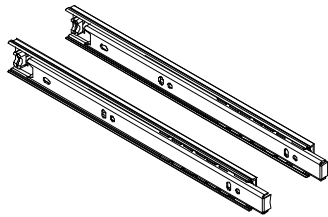


P=8



$\Phi 7*50$

Q=4



N=1



M3.5*12

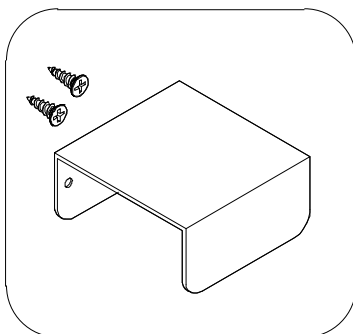
V1=8



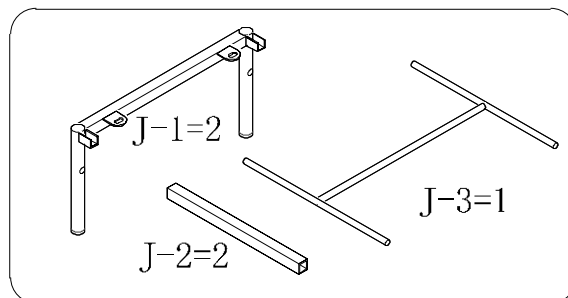
Z1=4



Z2=4



U=1

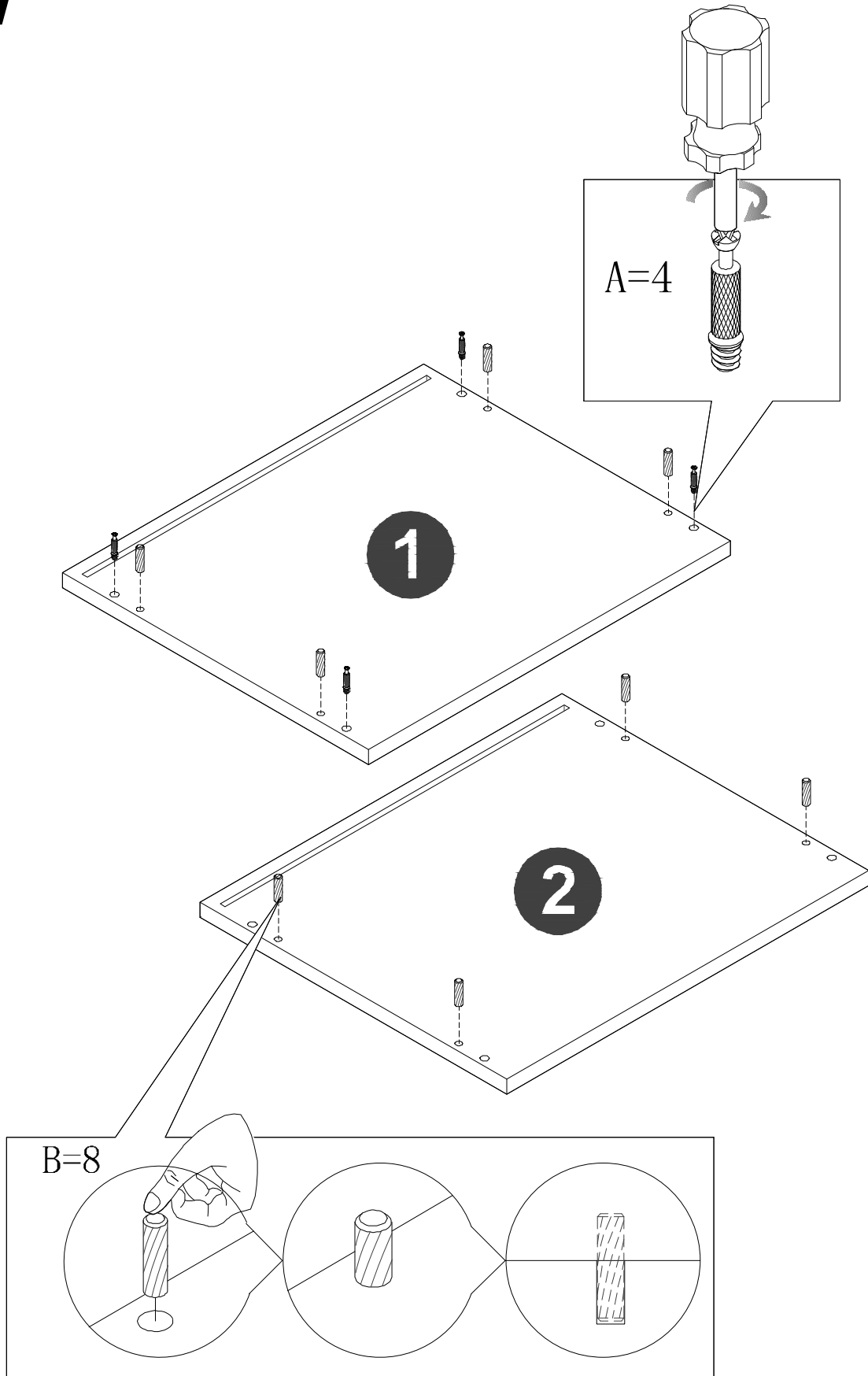


J-1=2

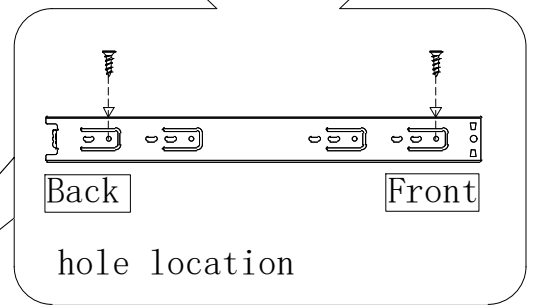
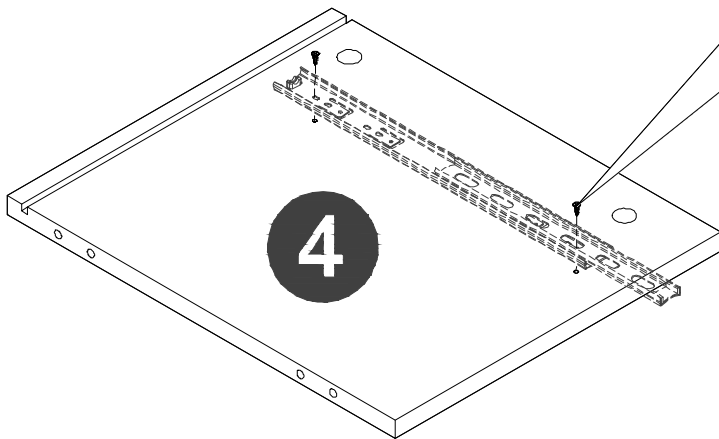
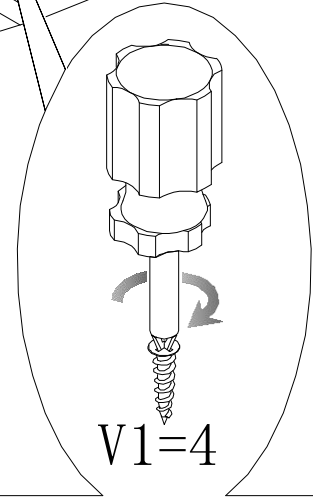
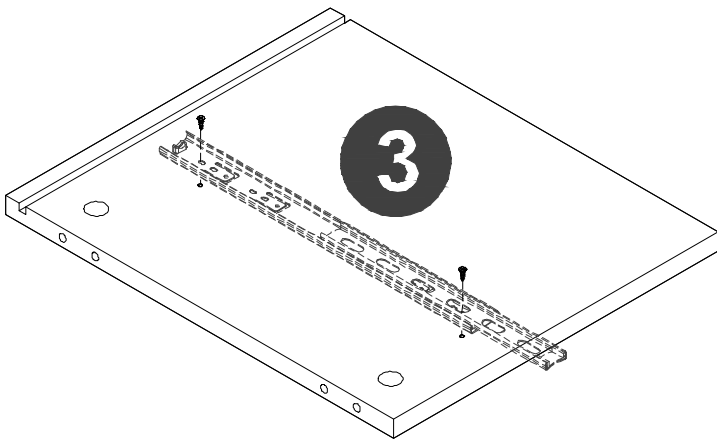
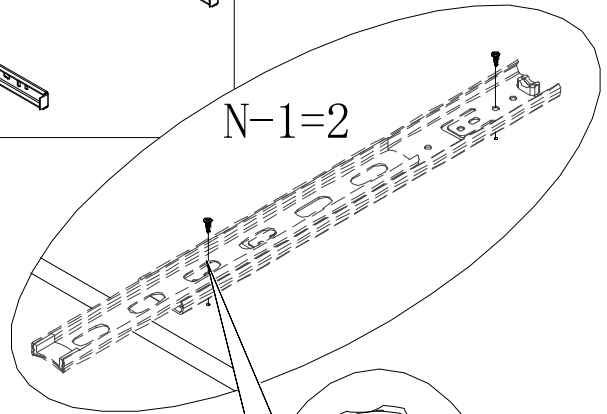
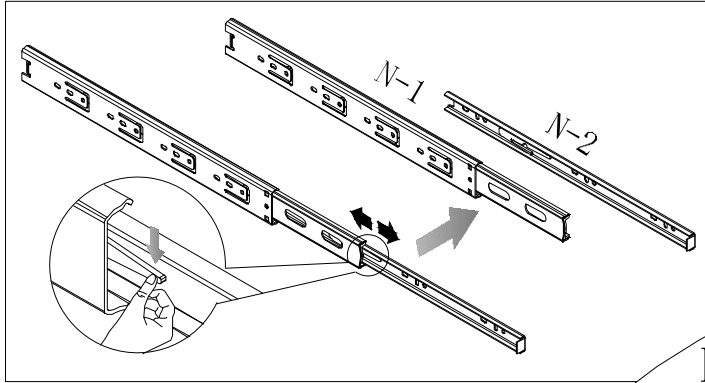
J-2=2

J-3=1

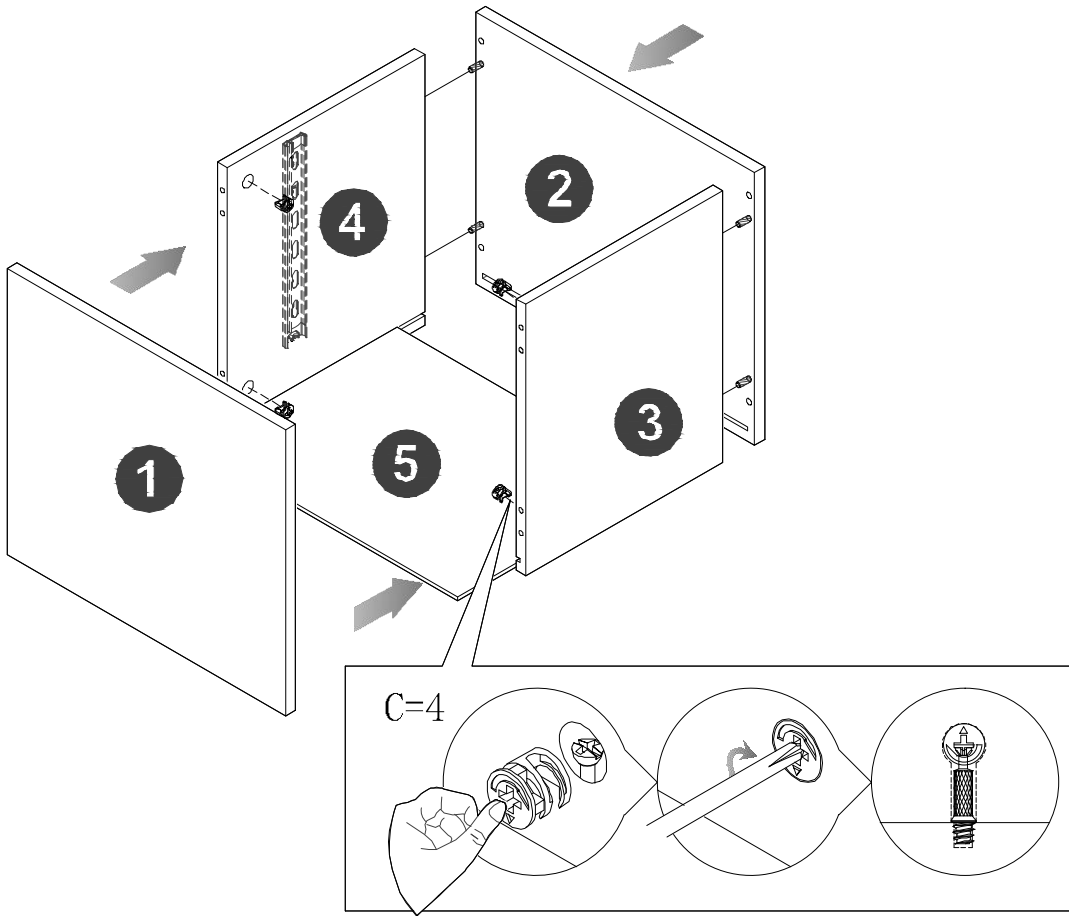
1



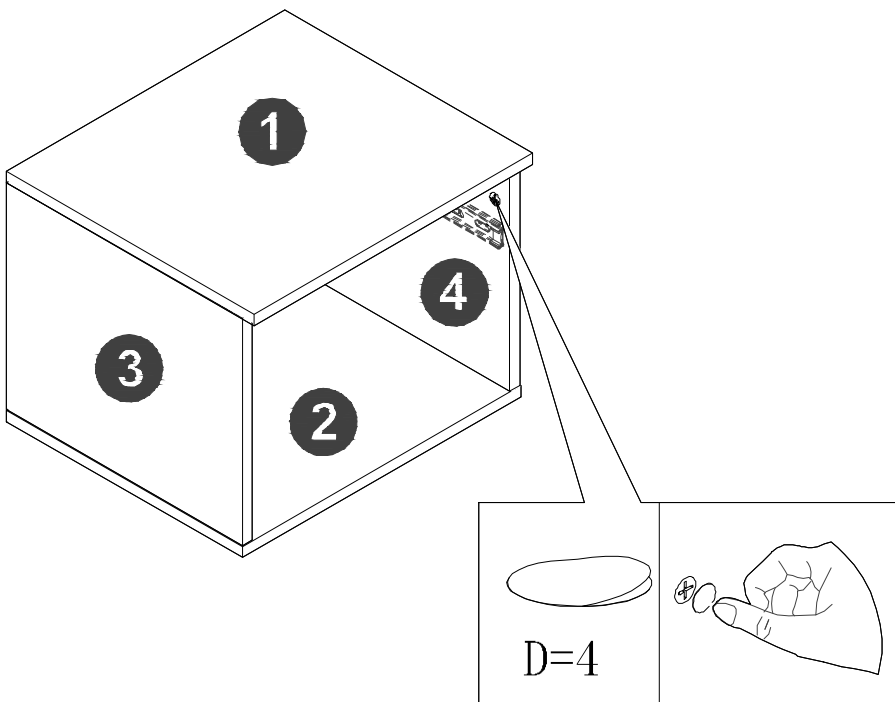
2



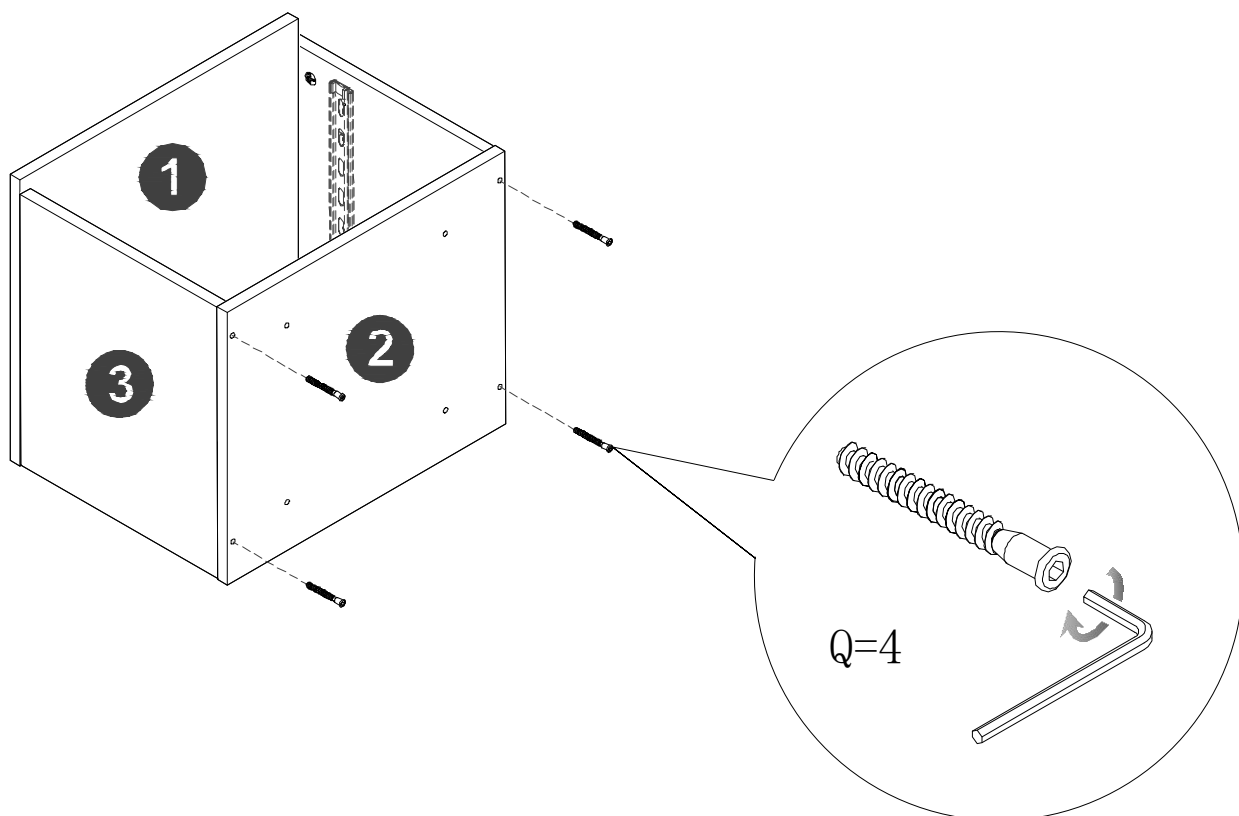
3



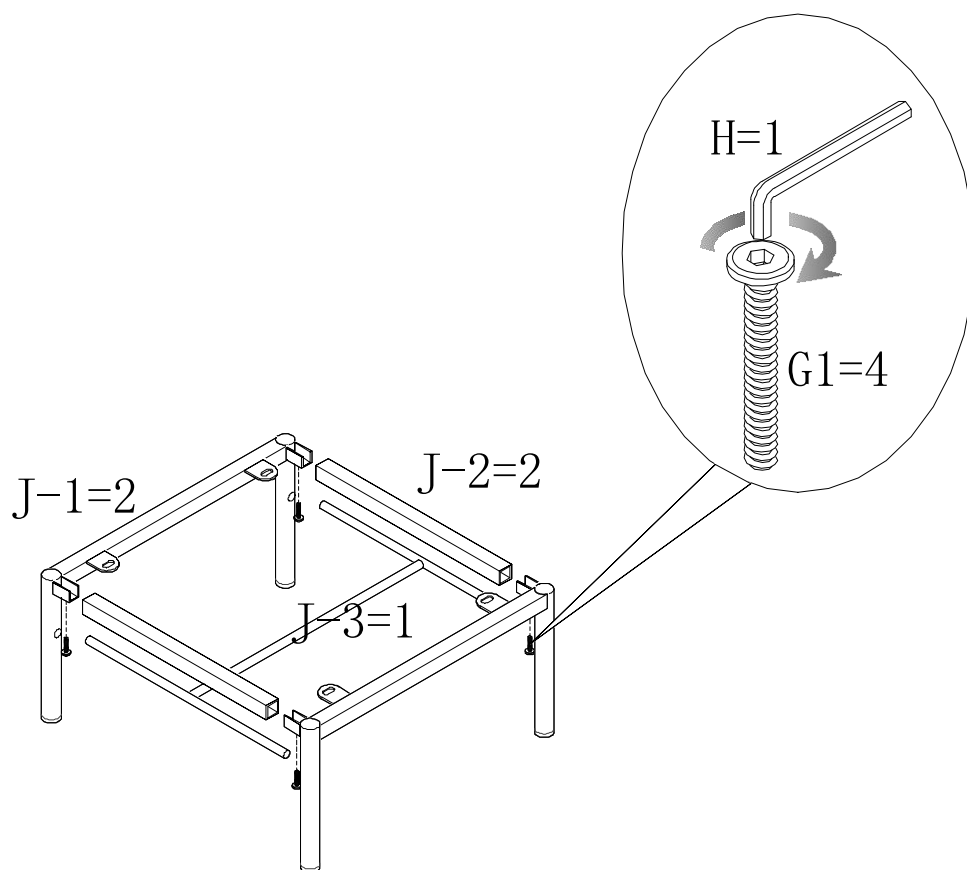
4



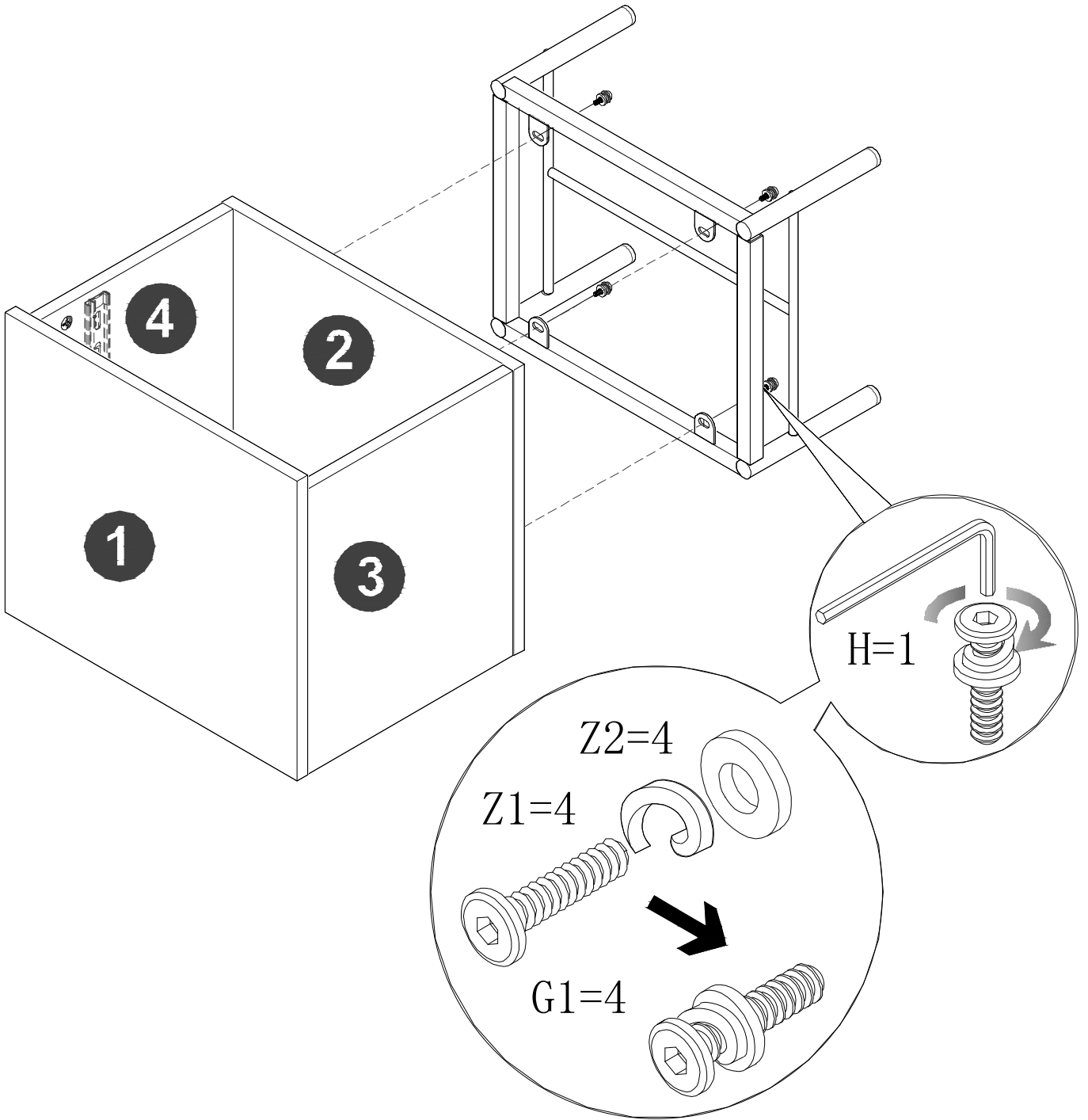
5



6

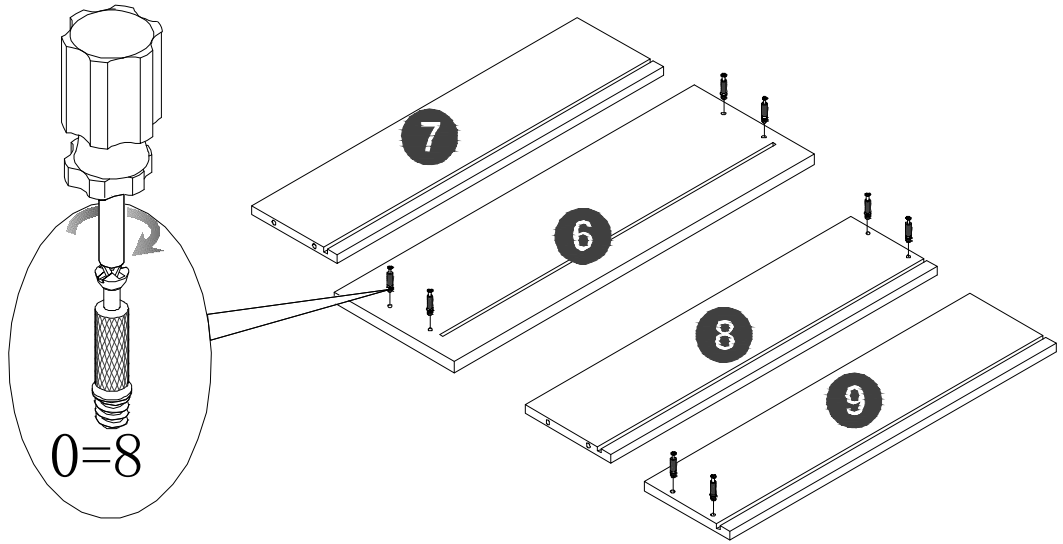


7

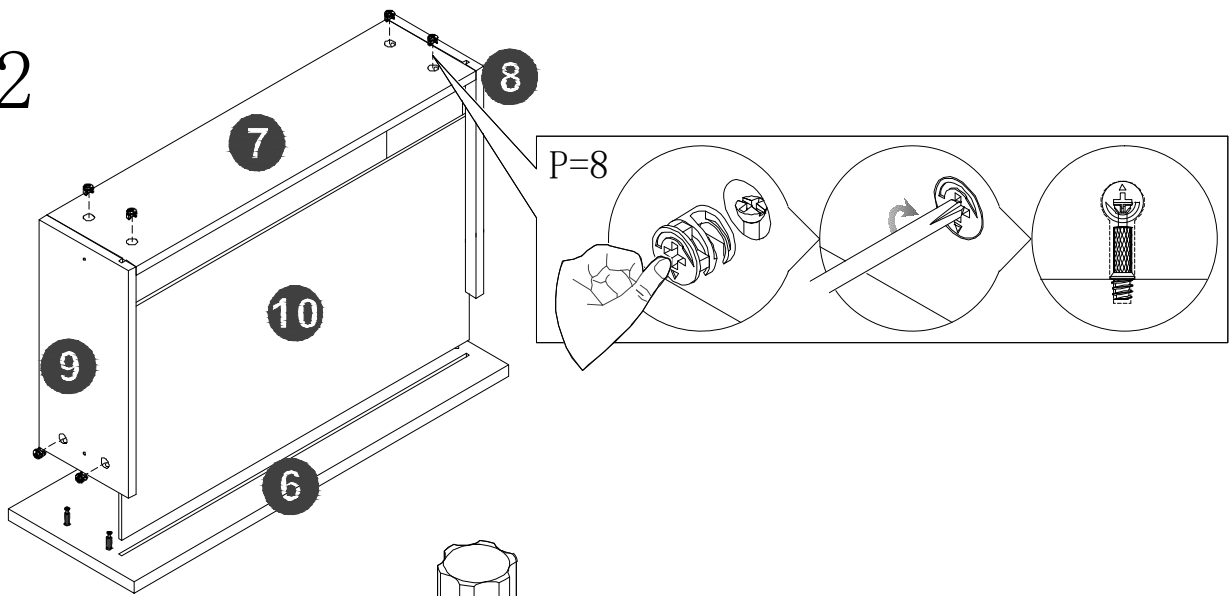


8

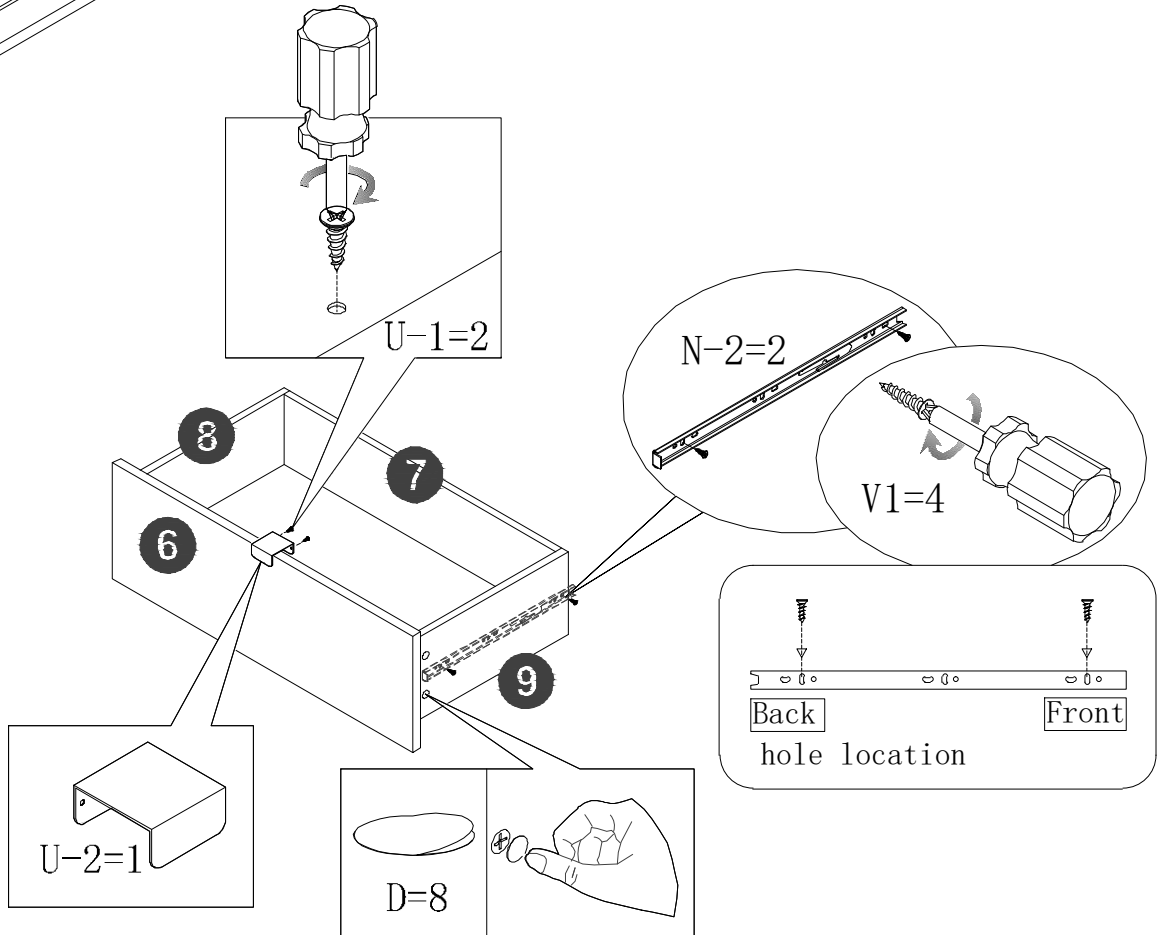
8-1



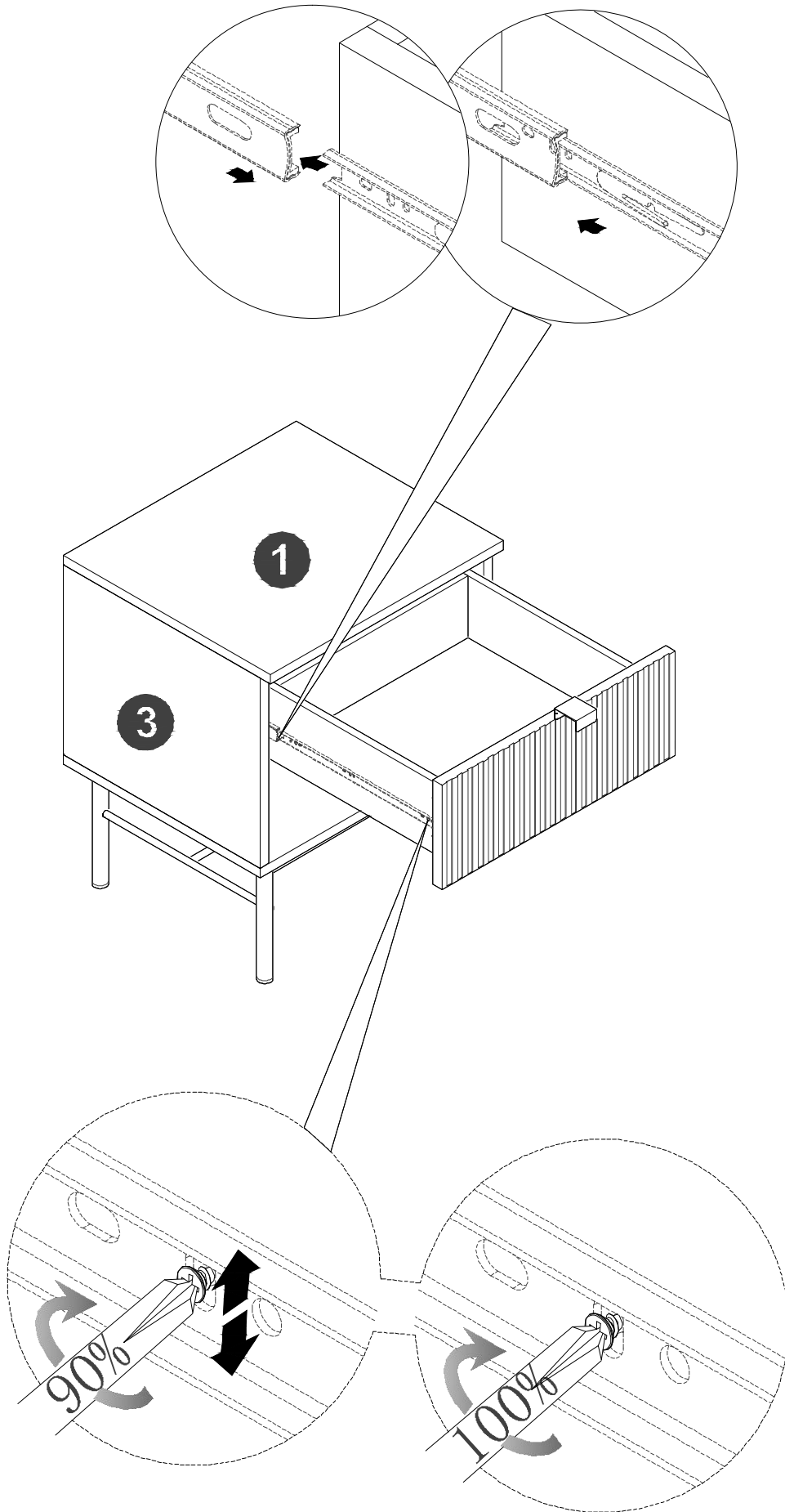
8-2



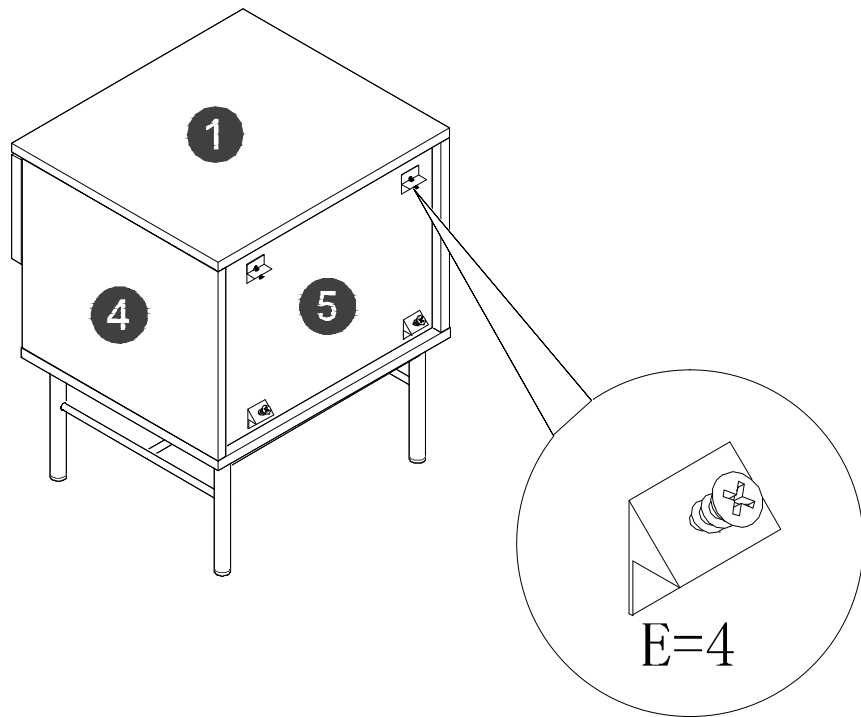
8-3



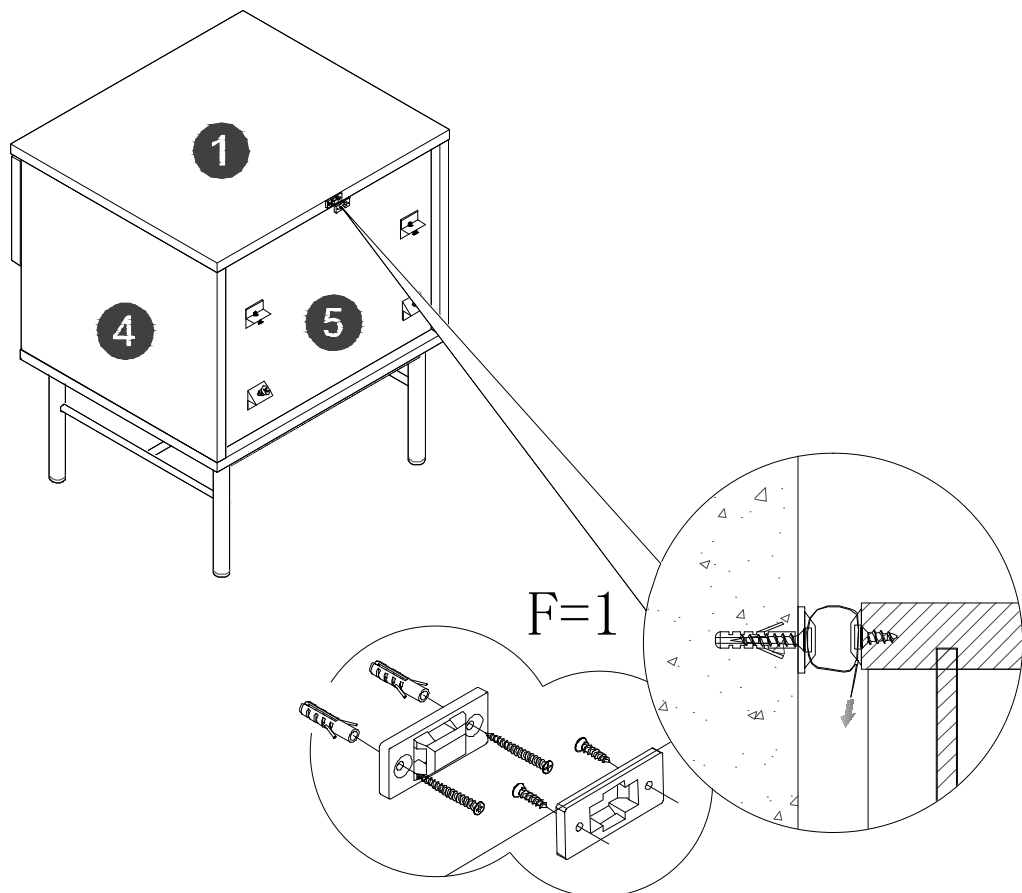
9



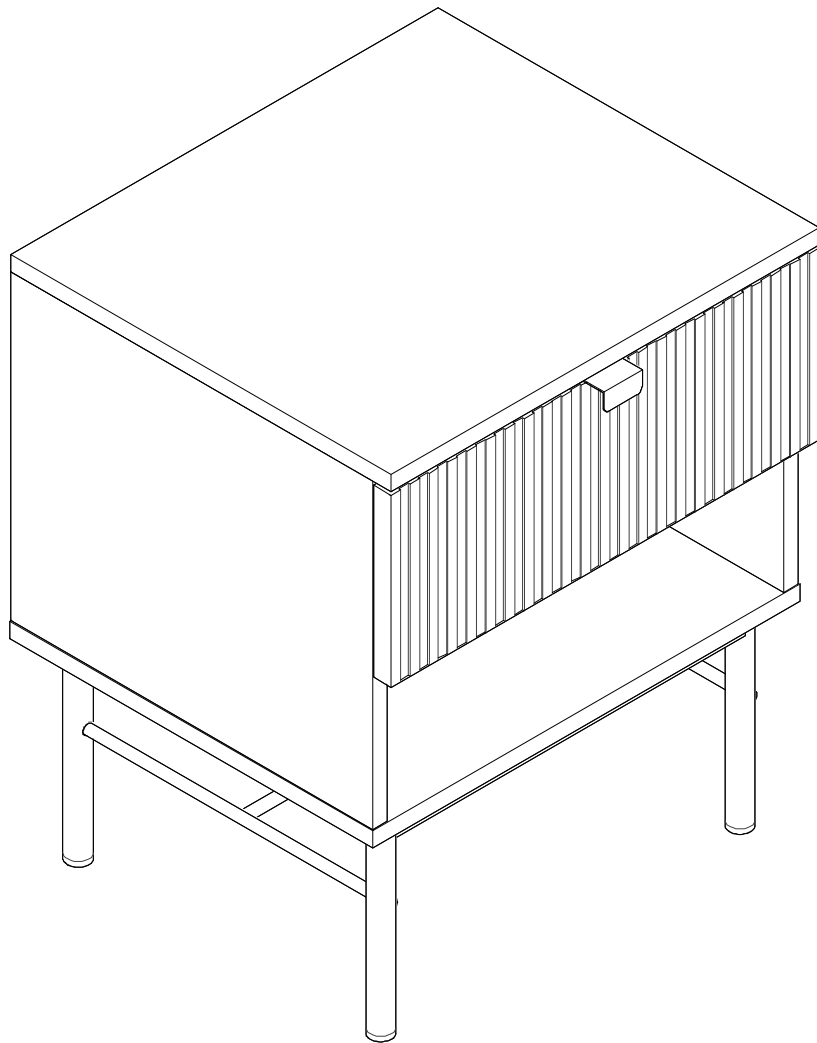
10



11



12



Finish