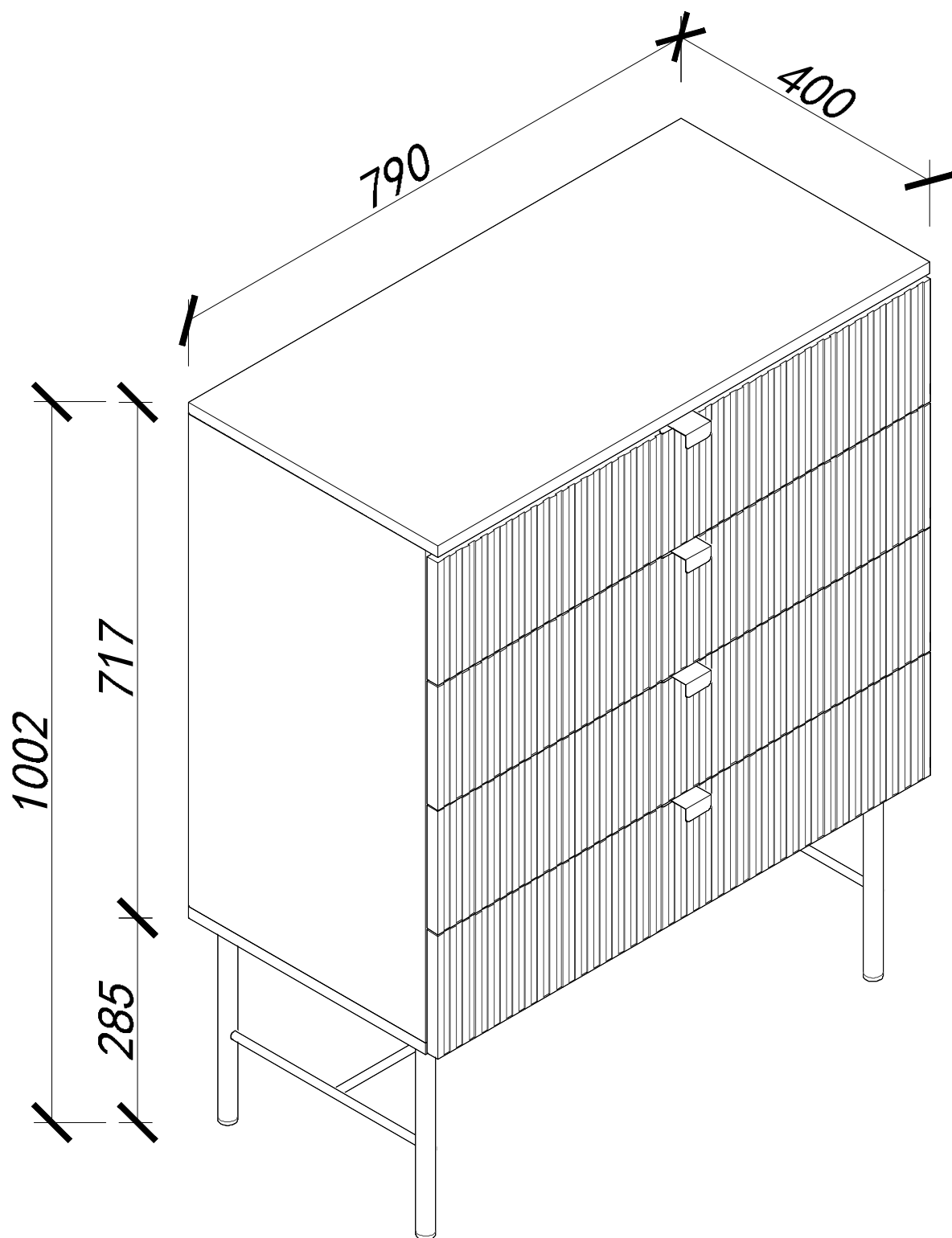
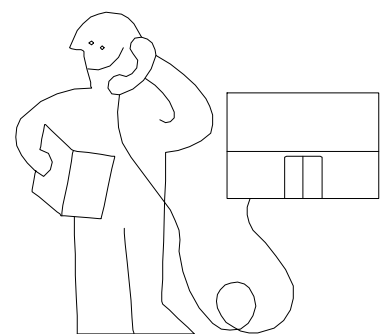
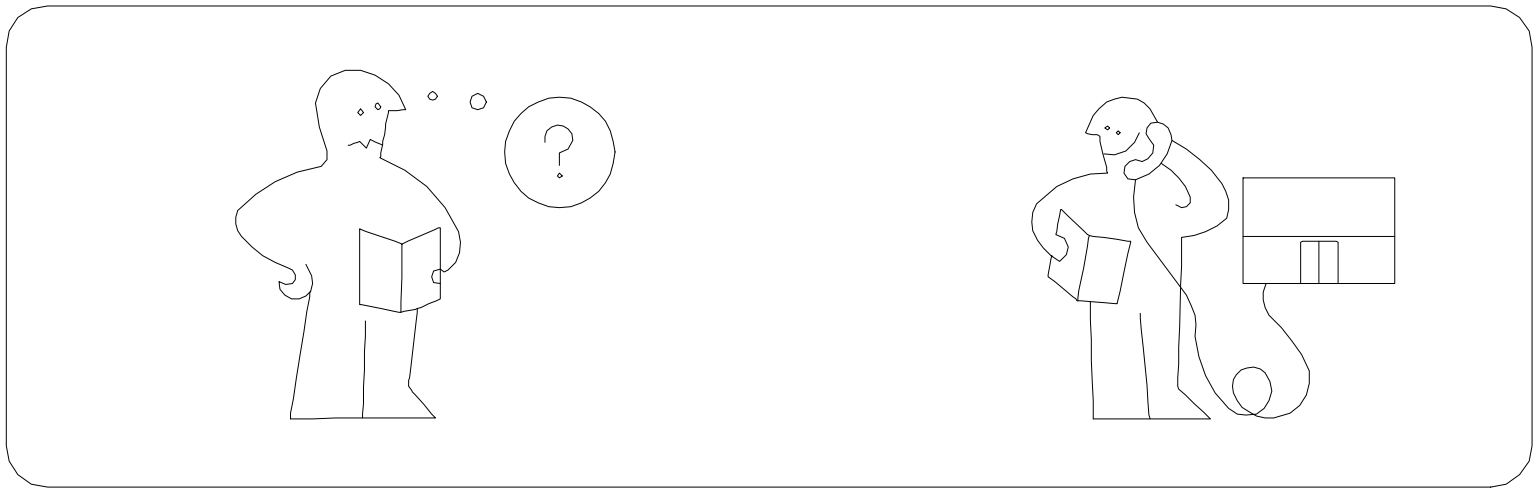
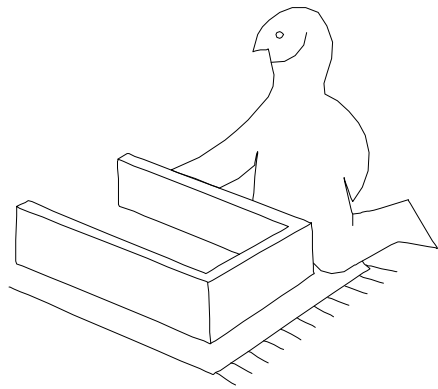
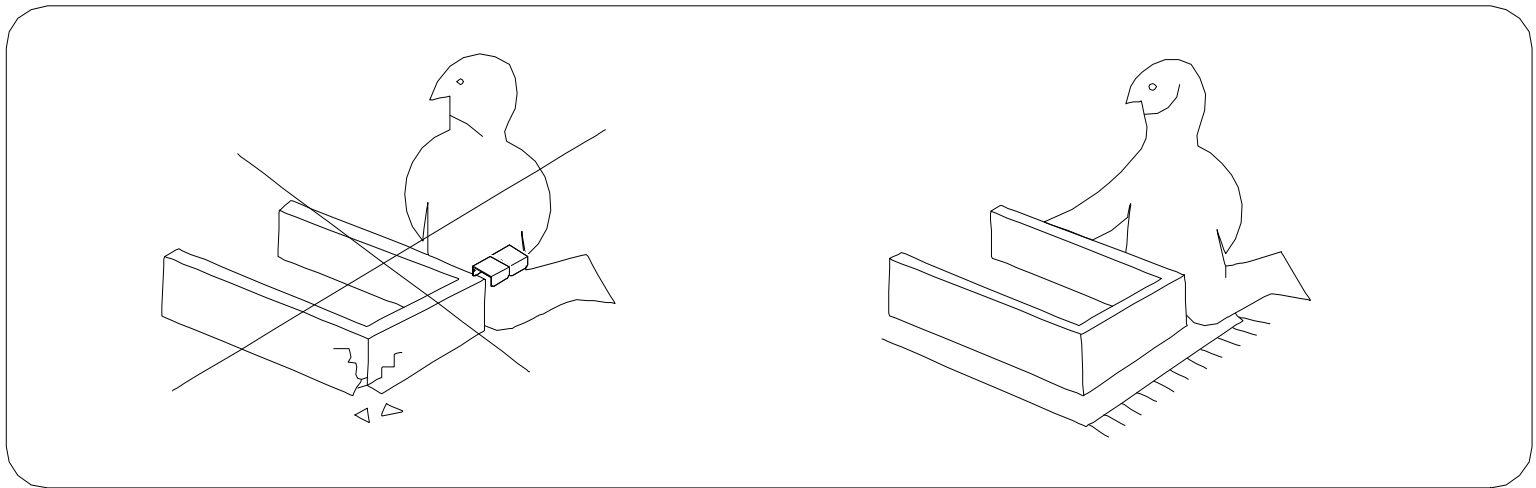
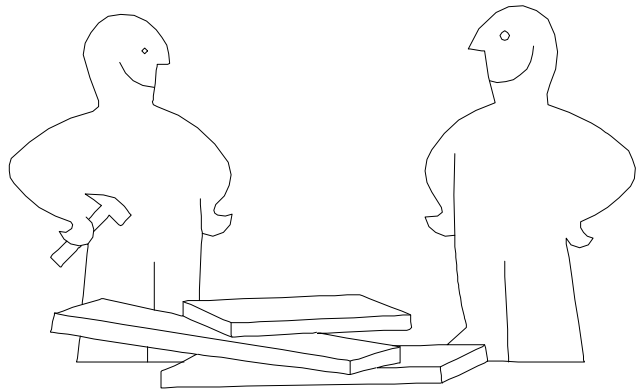
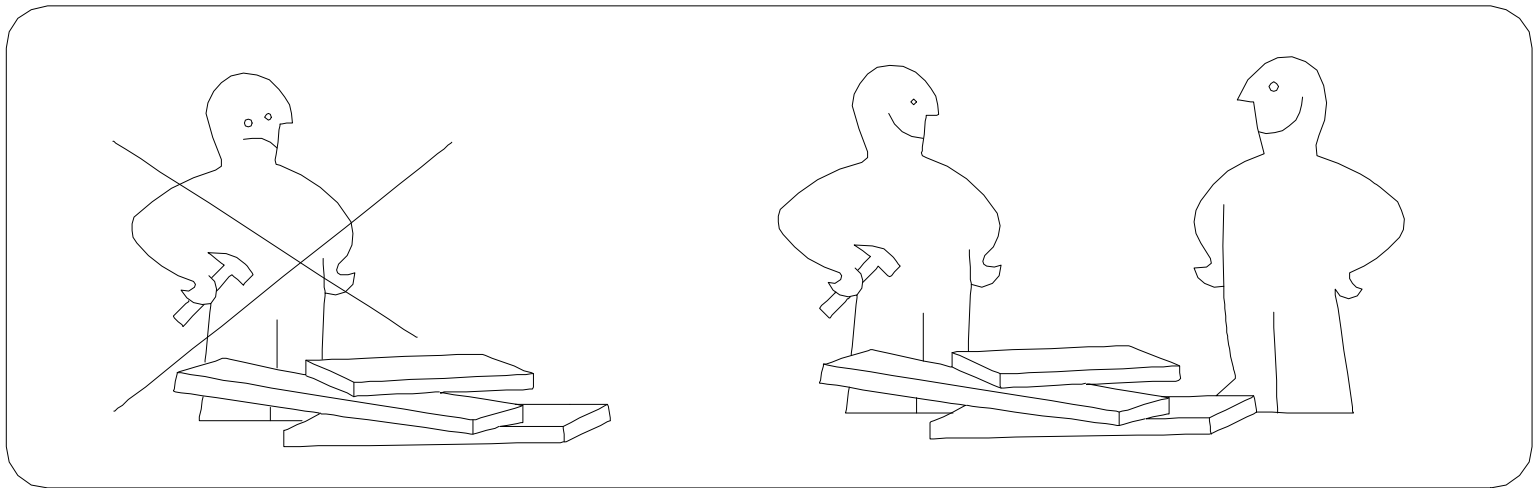
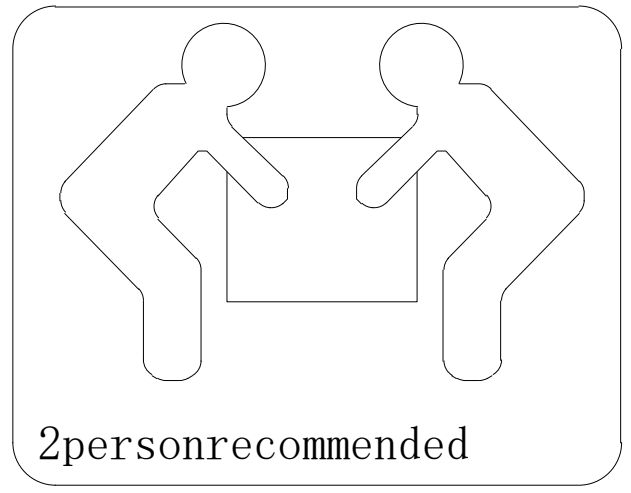
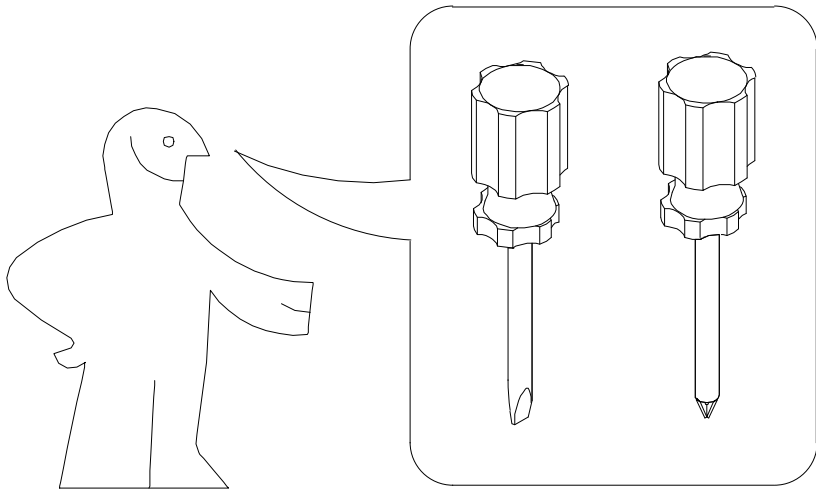


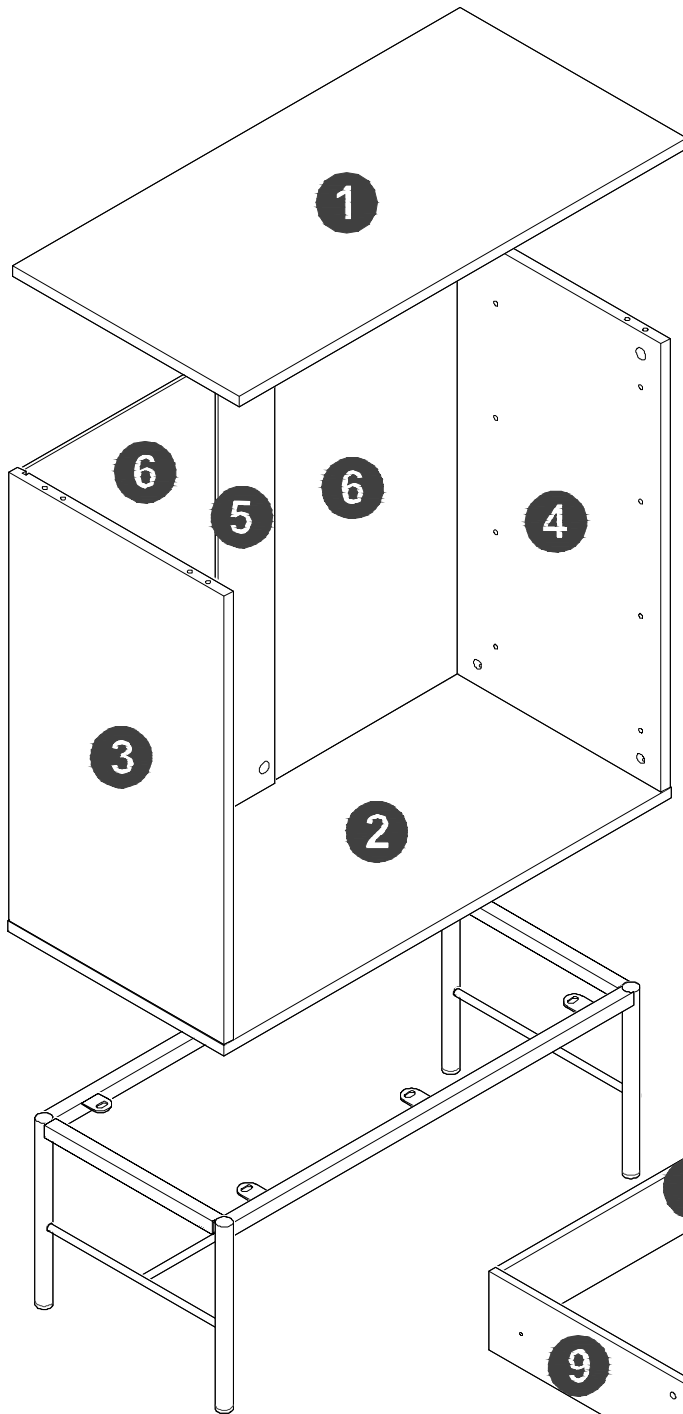
Assembly Instruction



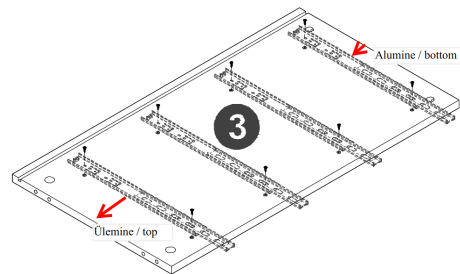


PanelNo	PanelSizes	Quantity
1	790*400*16	1
2	790*381*16	1
3	685*380*16	1
4	685*380*16	1
5	685*100*16	1
6	695*338*5	2

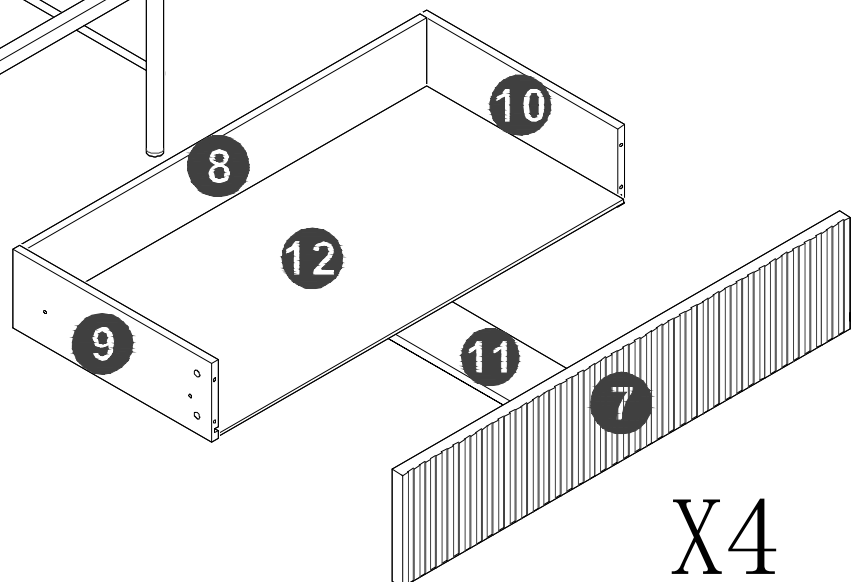
PanelNo	PanelSizes	Quantity
7	790*171*18	4
8	706*120*12	4
9	350*120*12	4
10	350*120*12	4
11	337*100*12	4
12	716*348*5	4



Tähelepanu! Kontrollige detaile 3 ja 4 enne kokkupanemist. Numbrikleepsud võivad olla vahetuses. Ülemise sahtlisiini vahe servani peab olema laiem, kui alumise sahtlisiini vahe.



Attention! Check parts #3 and #4 before assembly. The number stickers might be vice versa. The gap between the upper drawer rail to the edge must be wider, than the bottom drawer rail gap.

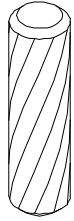


X4

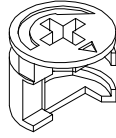
Fittings



A=12



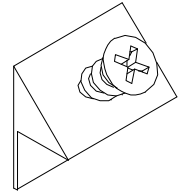
B=8



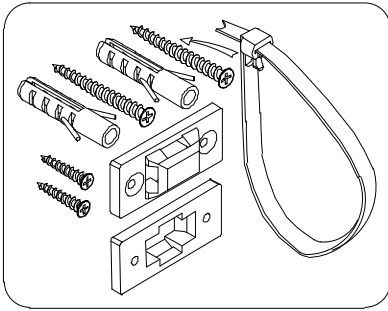
C=12



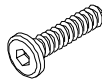
D=52



E=12

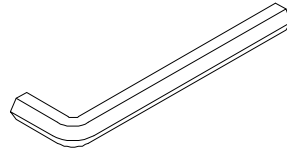


F=1



M6*16

G1=10



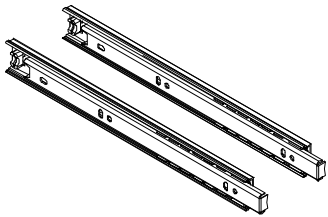
H=1



O=40



P=40



N=4



M3.5*12

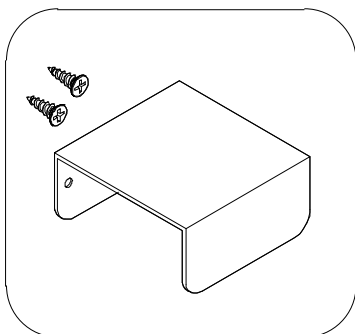
V1=32



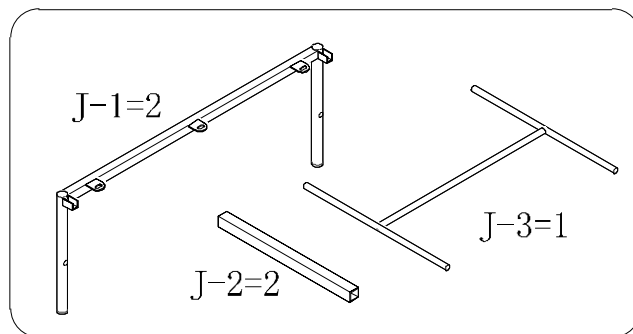
Z1=6



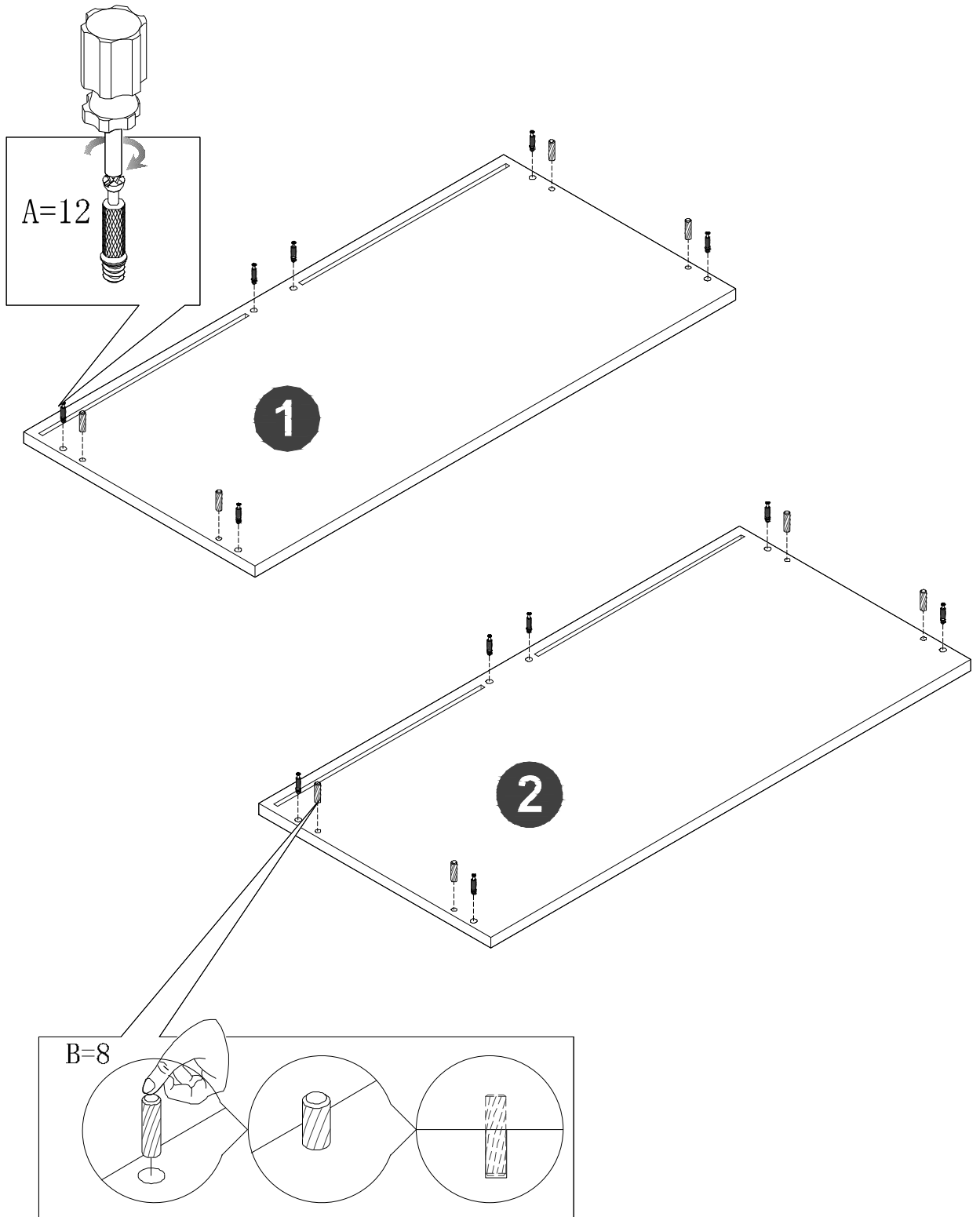
Z2=6



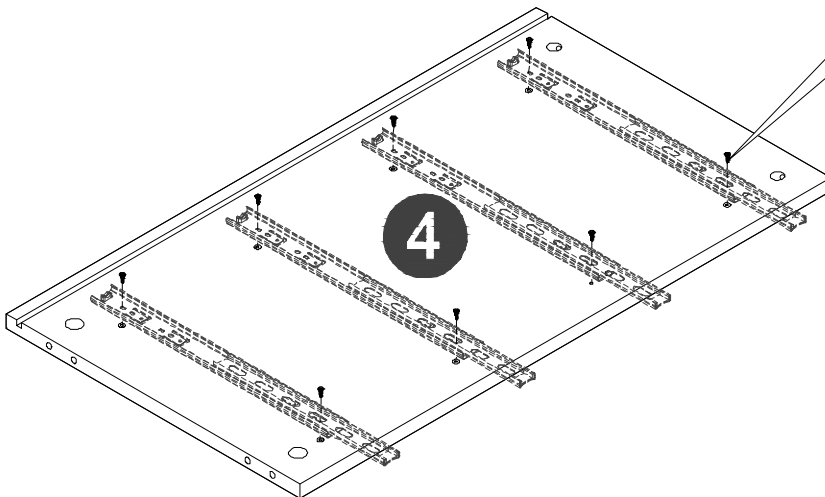
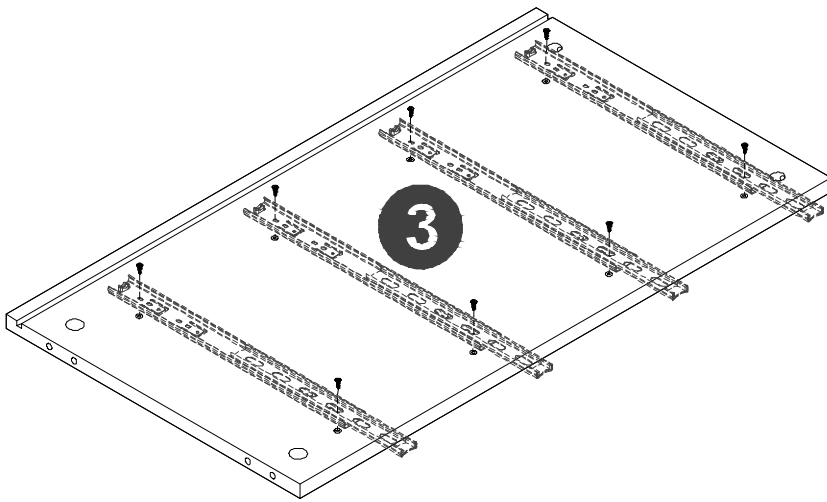
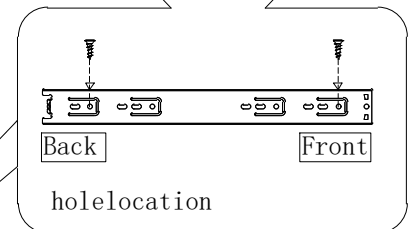
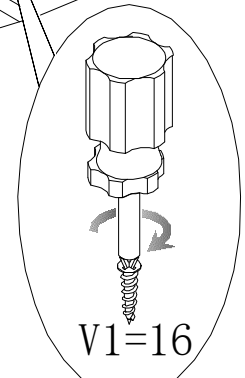
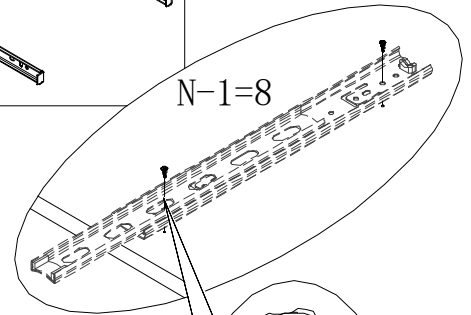
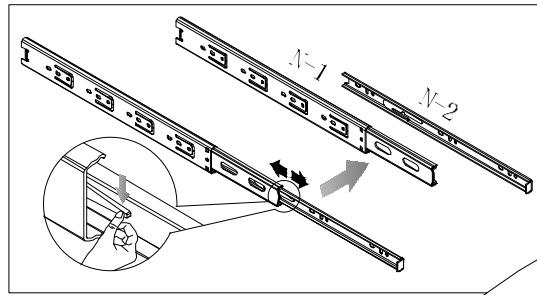
U=4



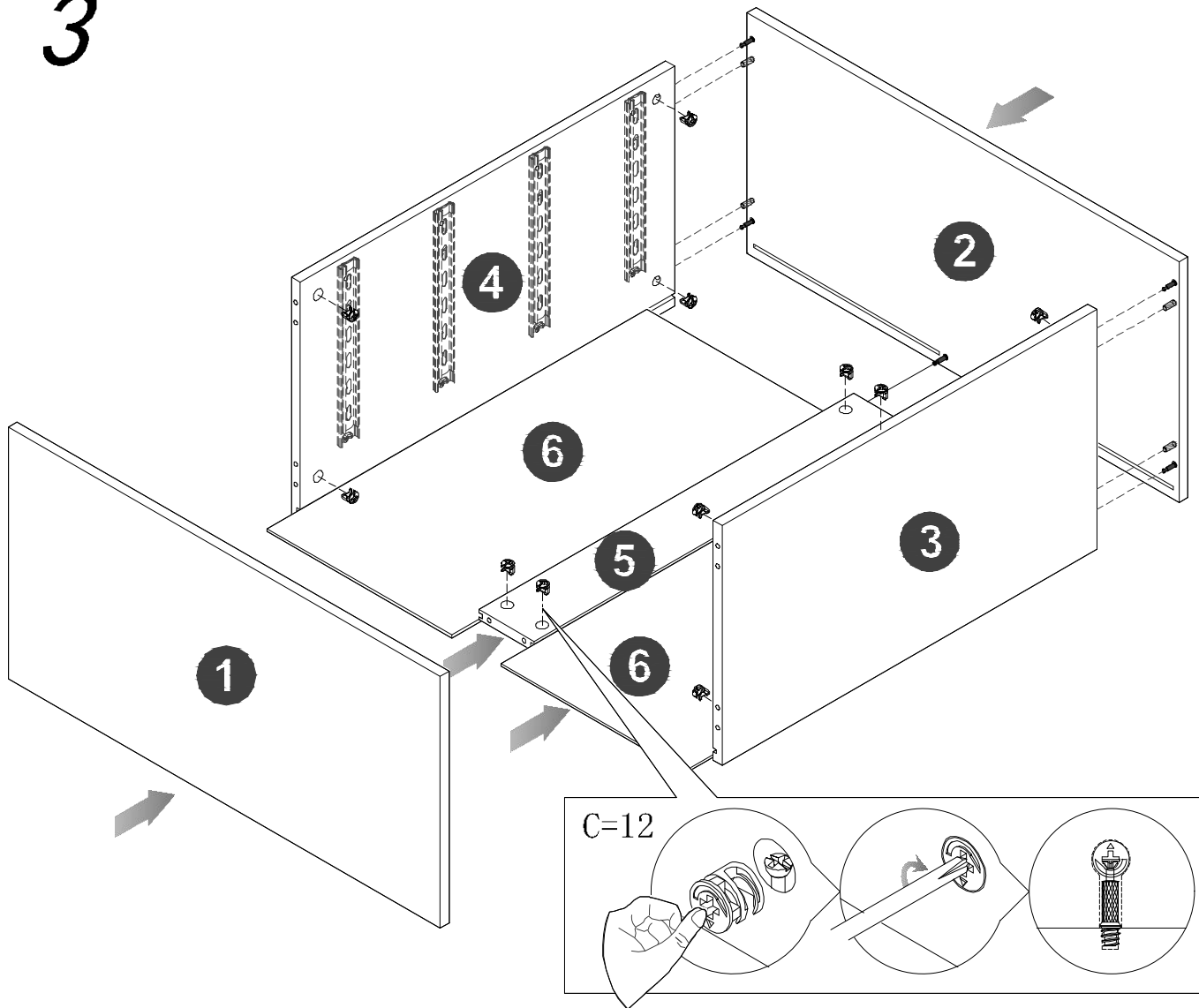
1



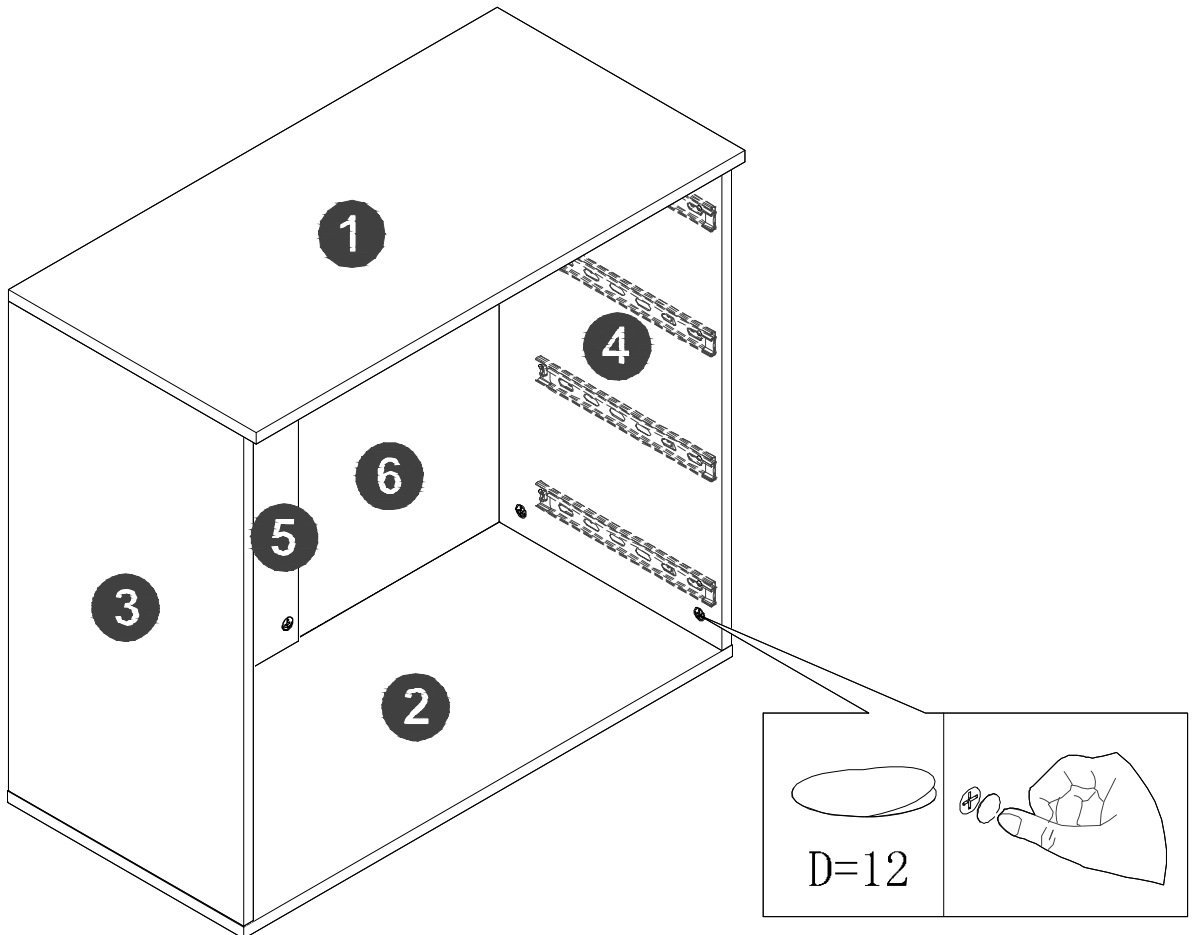
2



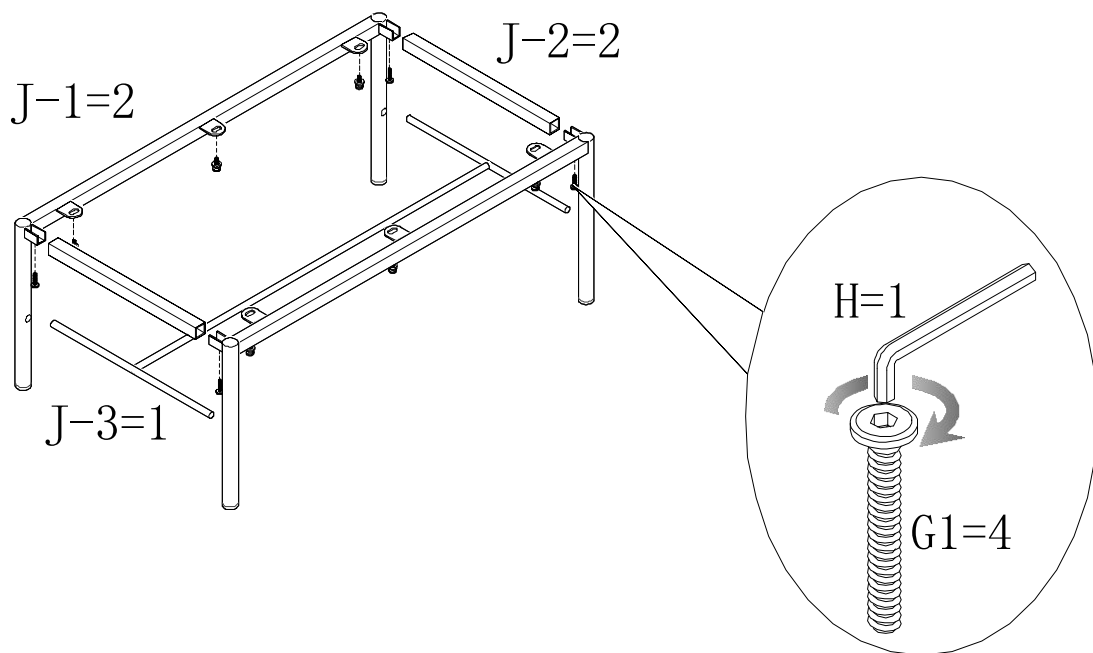
3



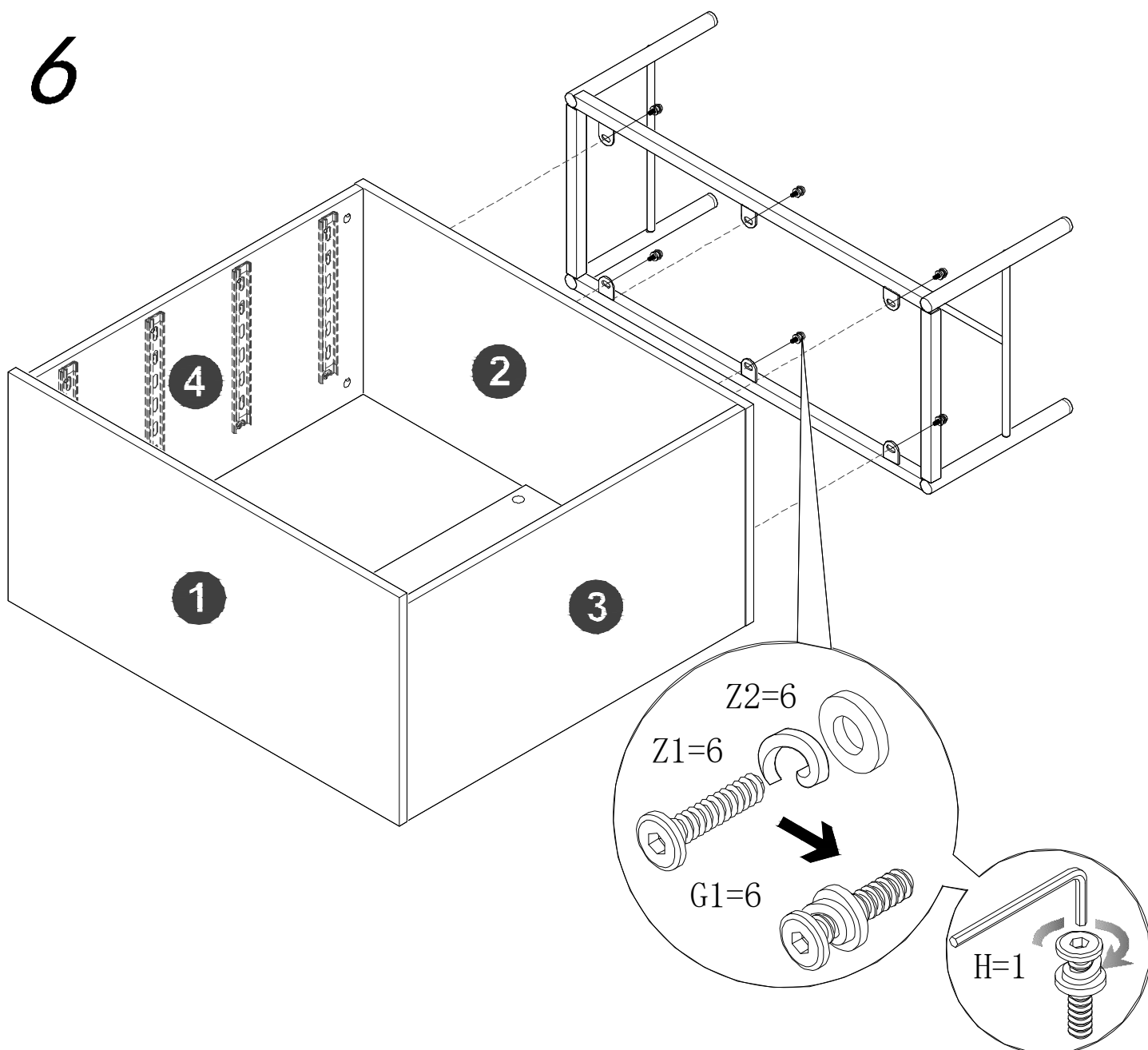
4



5

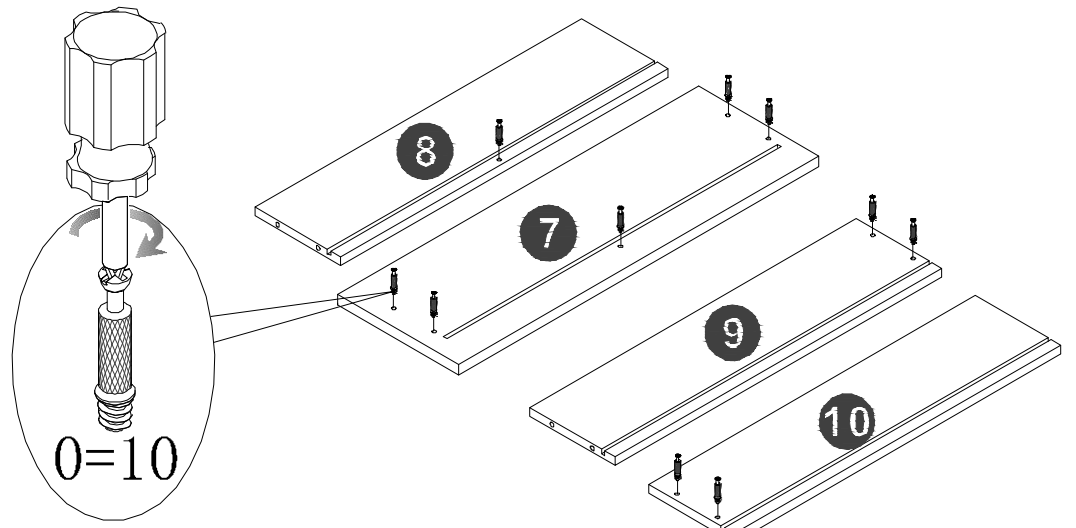


6

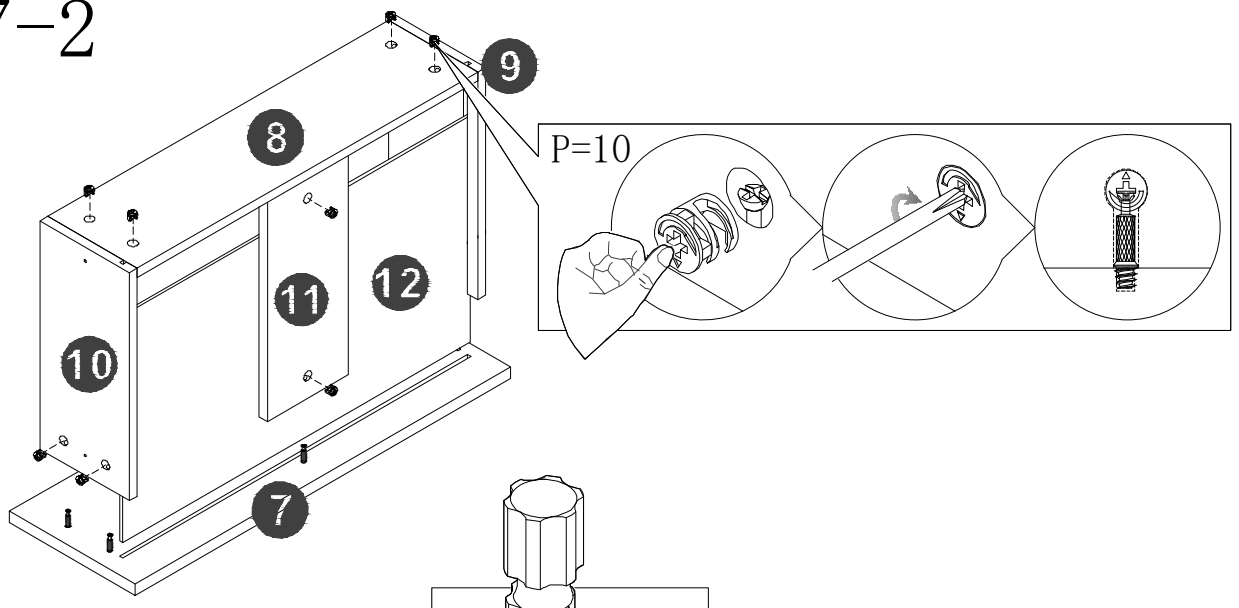


7

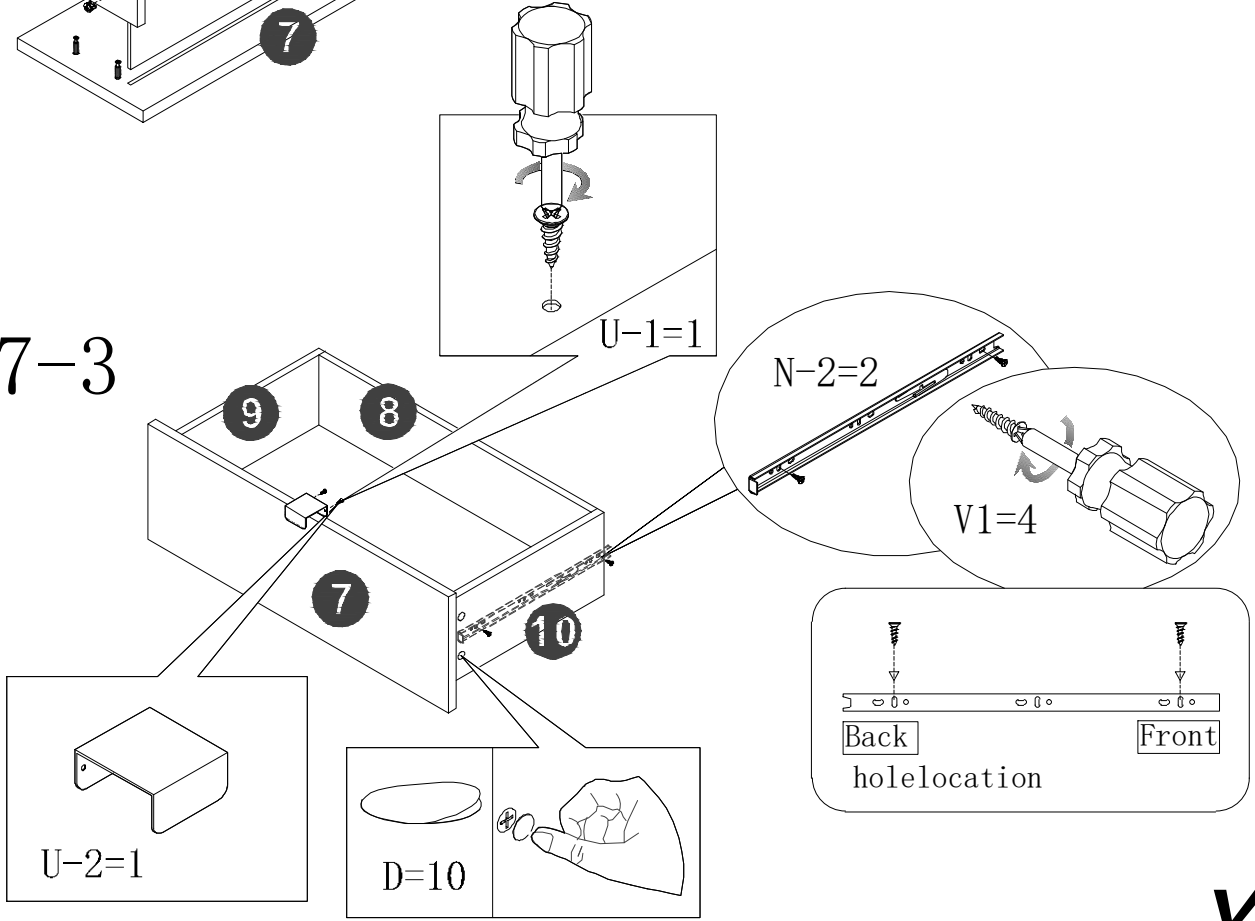
7-1



7-2

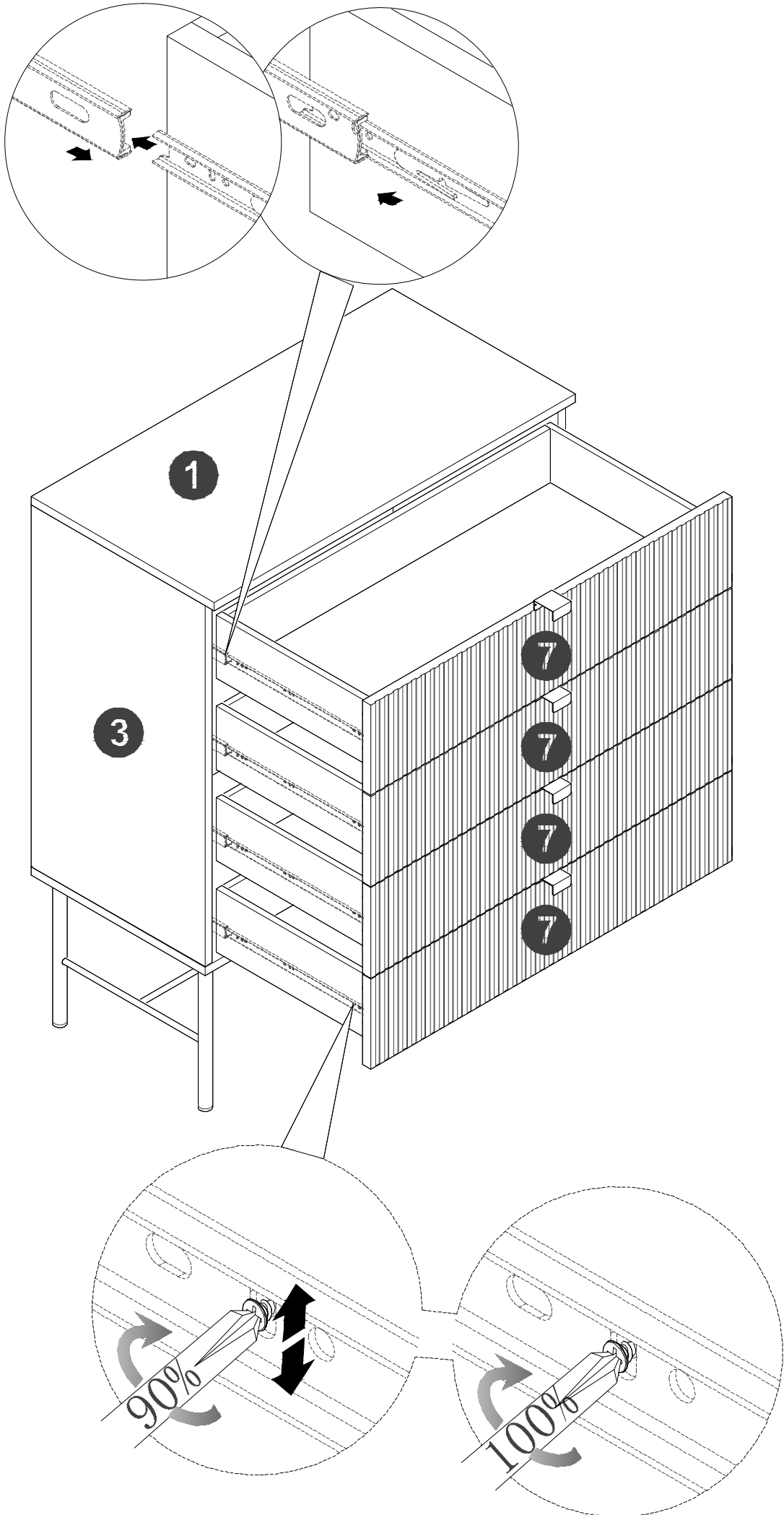


7-3

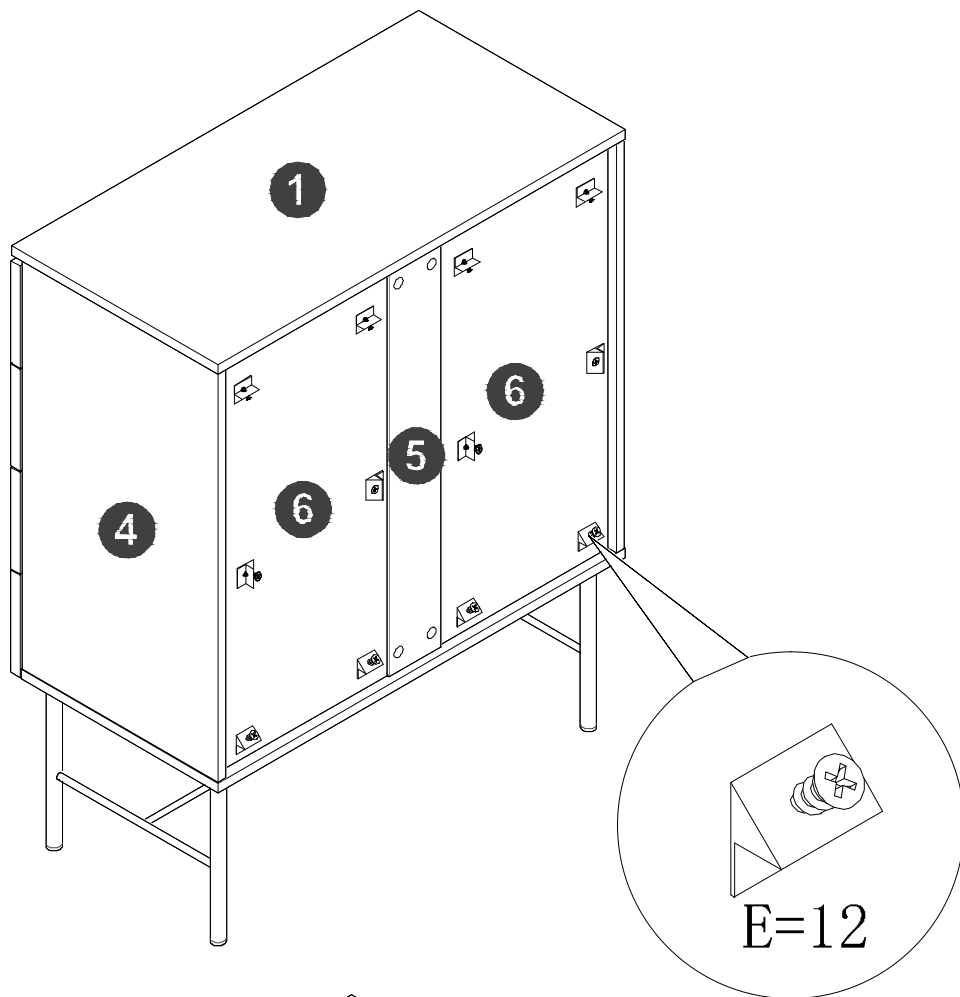


X4

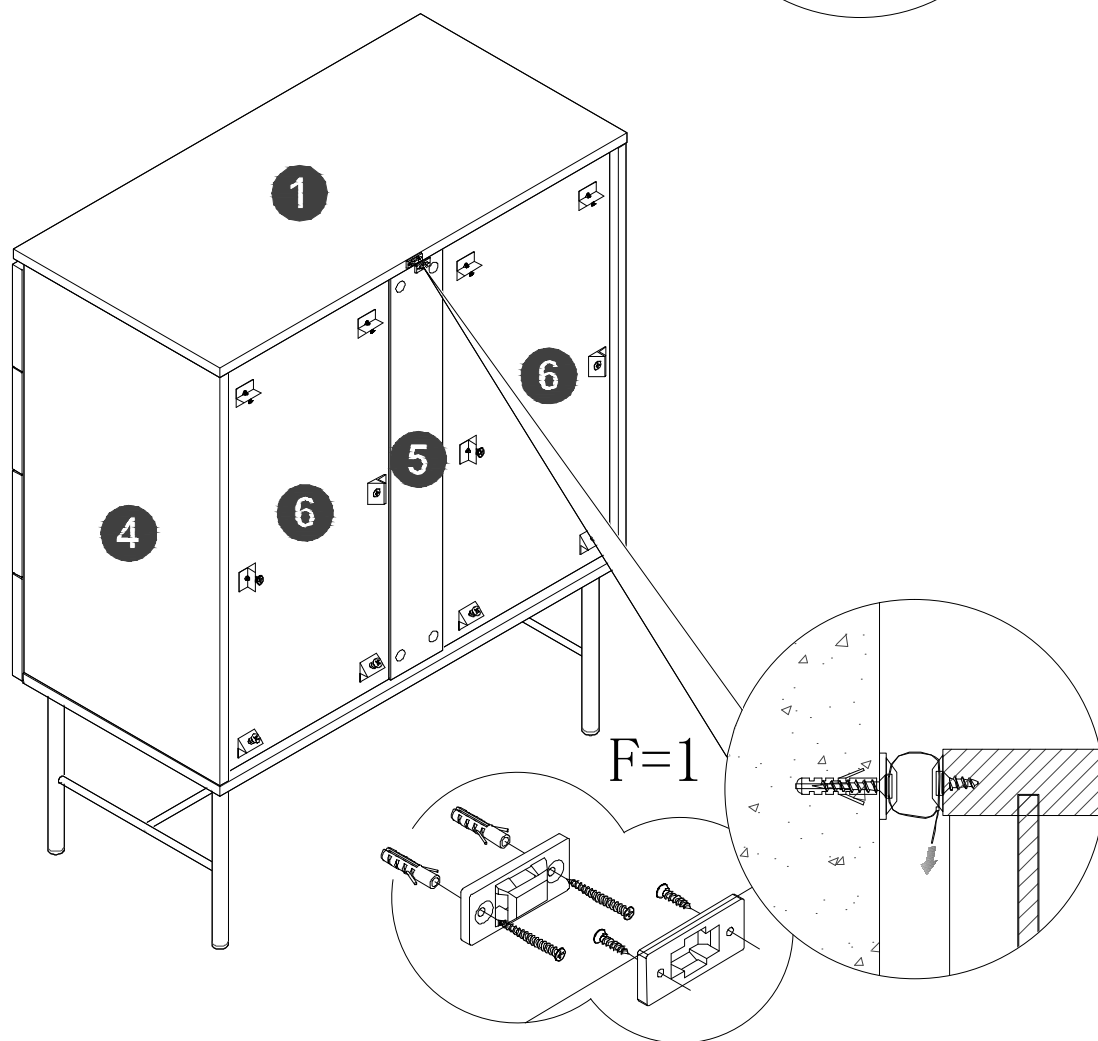
8



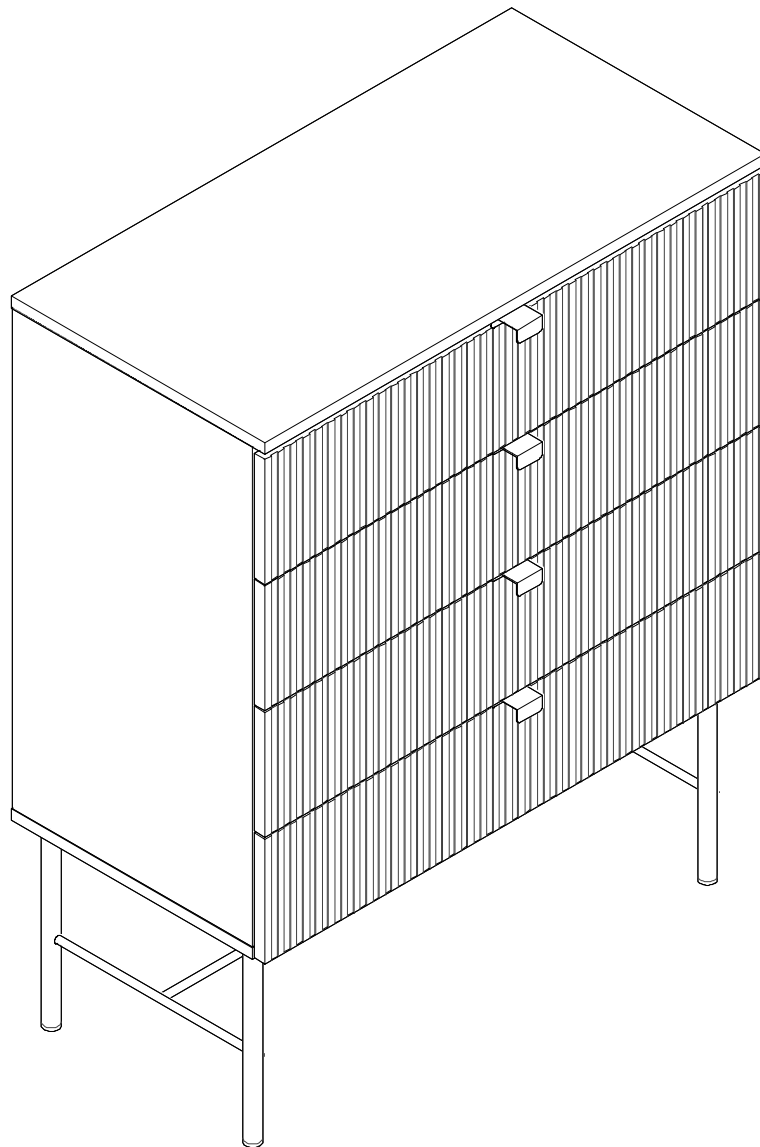
9



10



11



Finish