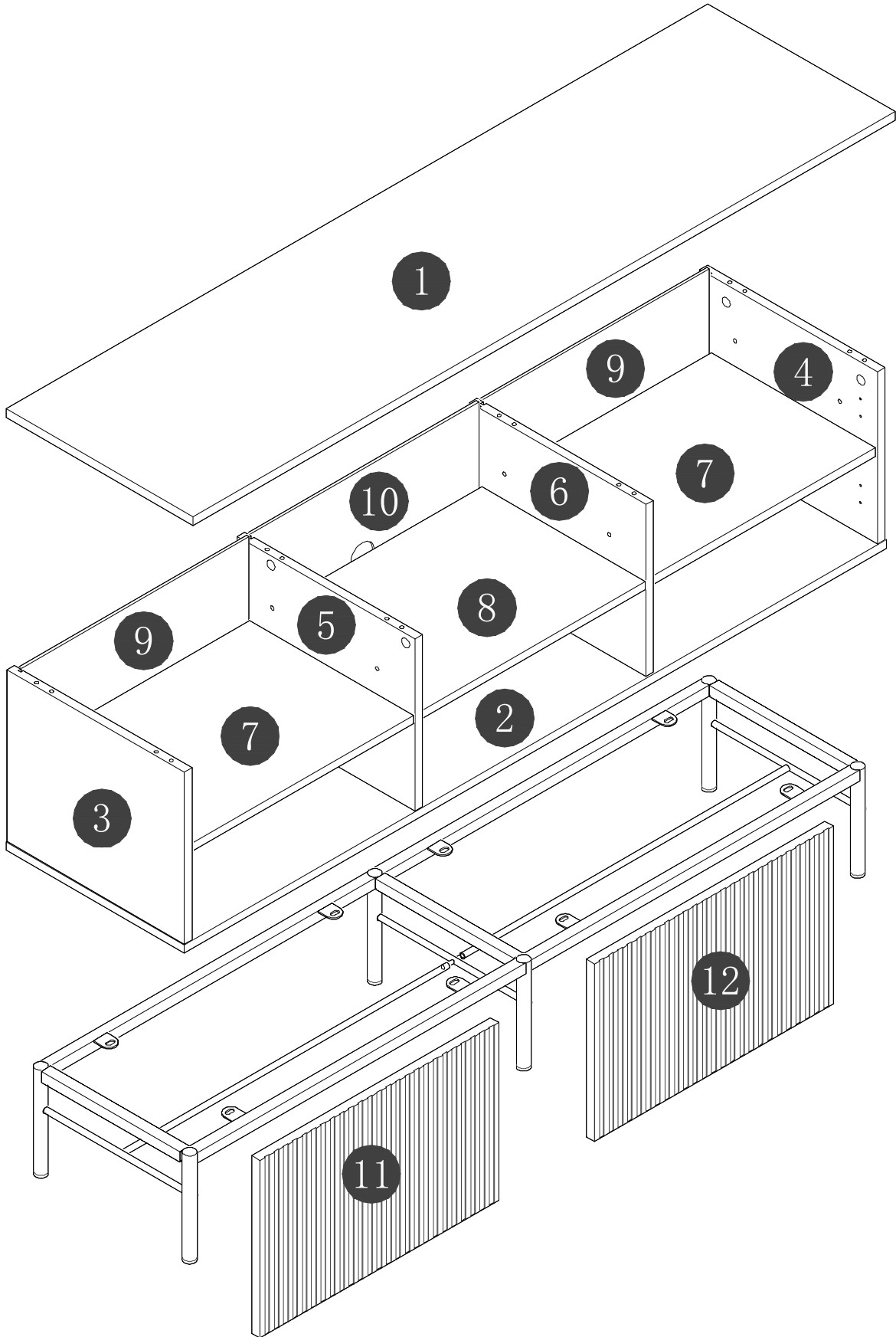


Panel No	Panel Sizes	Quantity
1	1500*400*16	1
2	1500*381*16	1
3	318*380*16	1
4	318*380*16	1
5	318*378*16	1
6	318*378*16	1

Panel No	Panel Sizes	Quantity
7	474*350*16	2
8	477*350*16	1
9	487*328*5	2
10	490*328*5	1
11	510*329*18	1
12	510*329*18	1



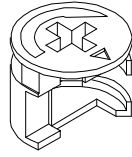
# Fittings



A=8



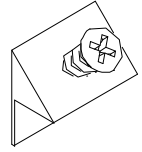
B=16



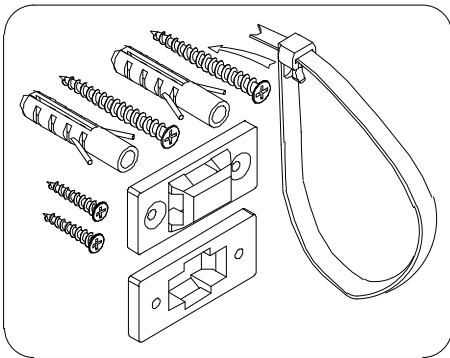
C=8



D=8



E=12

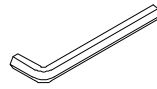


F=1

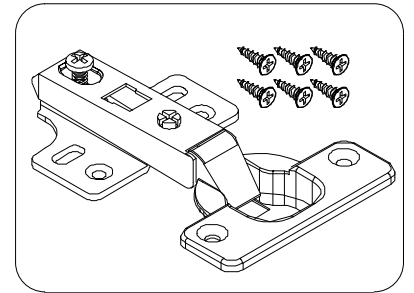


M6\*16

G1=14



H=1

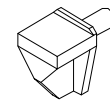
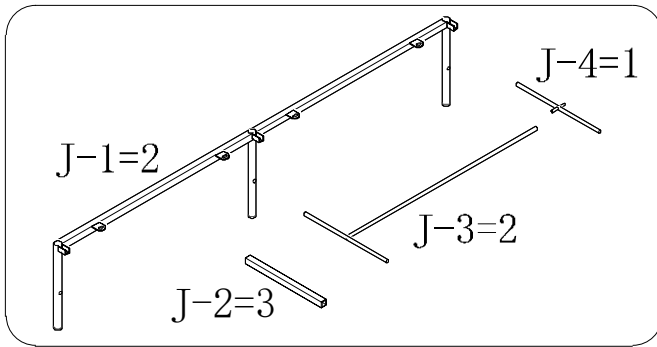


I1=4

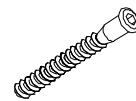


M5\*8

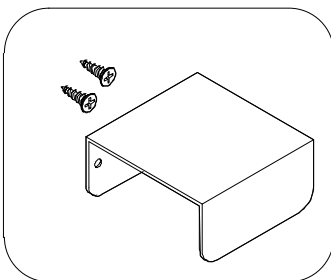
G2=2



L=12



Q=8



U=2

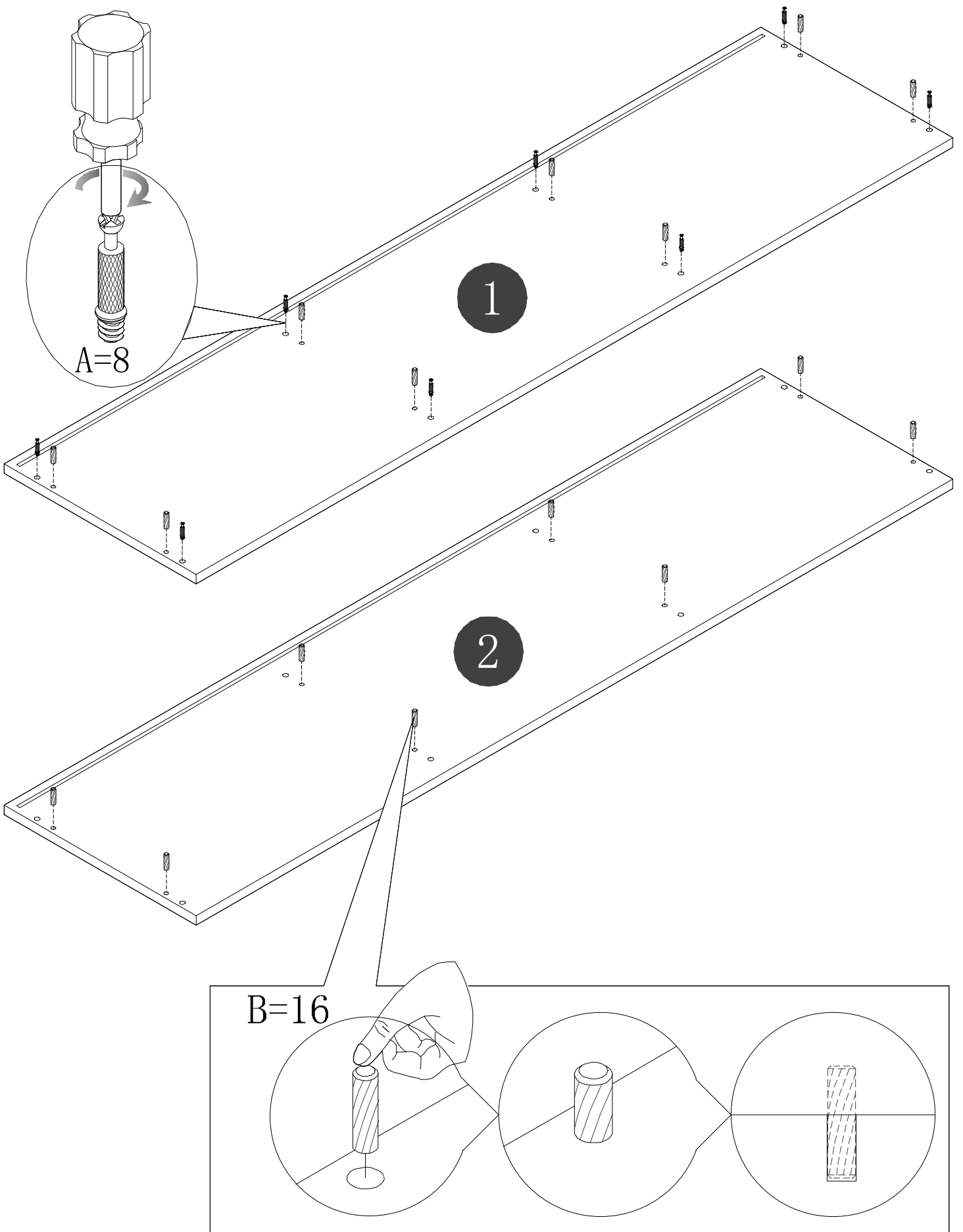


Z1=8

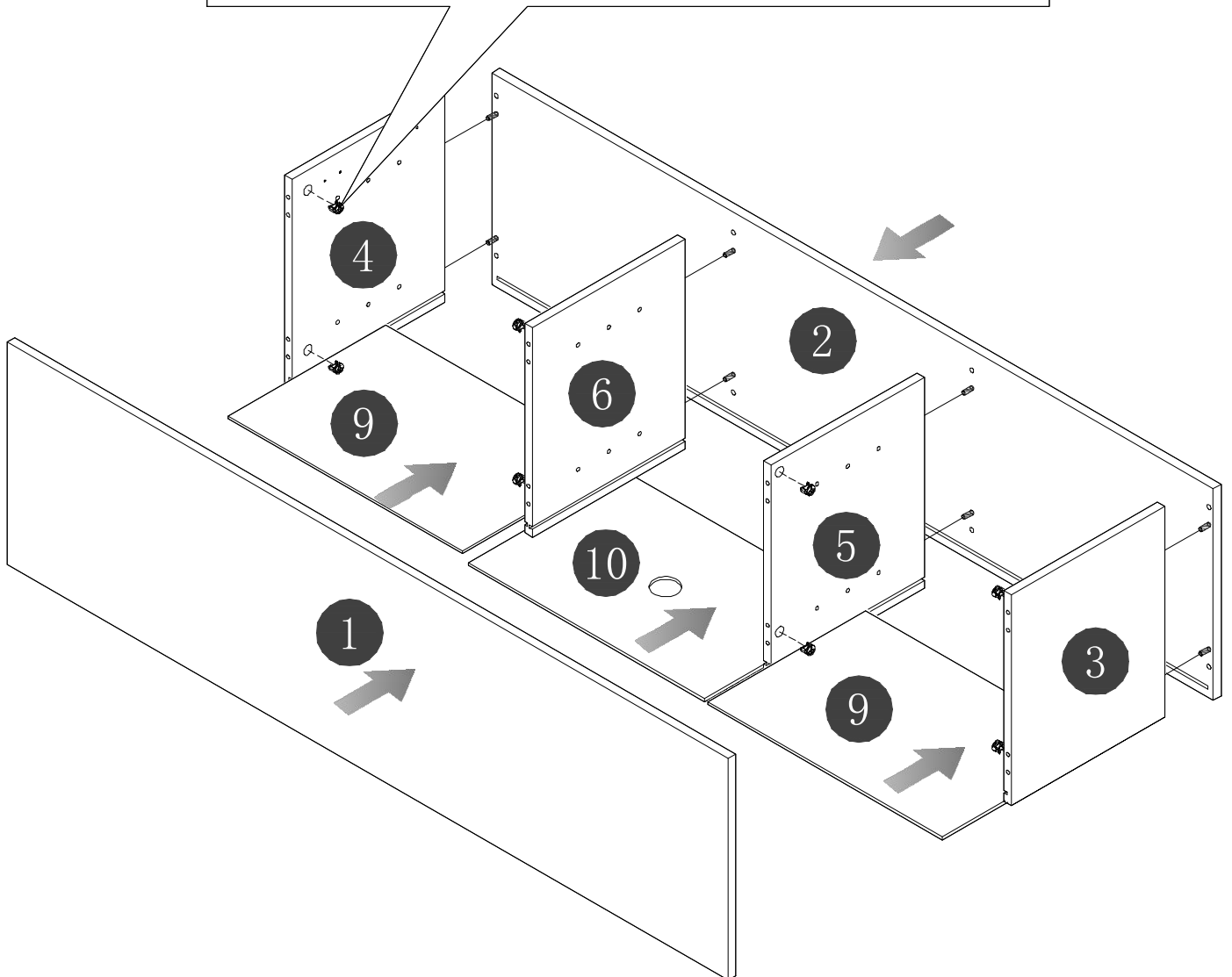
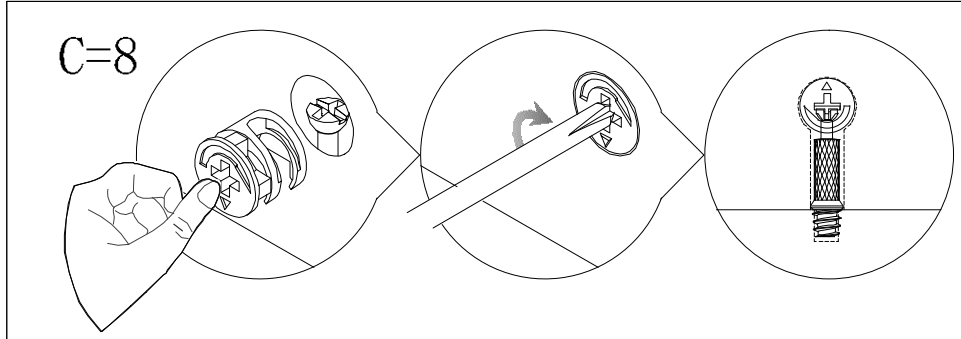


Z2=8

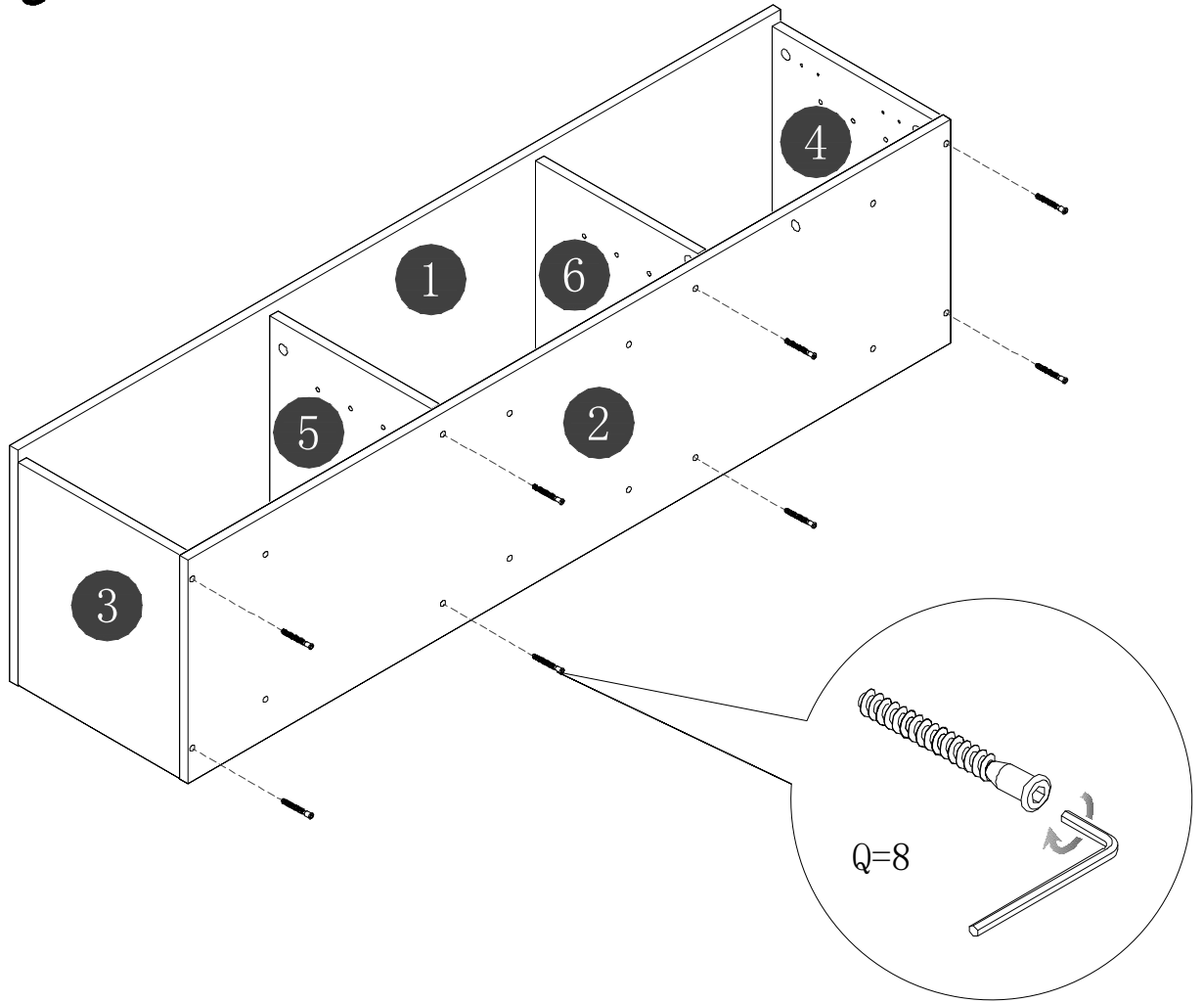
# STEP 1



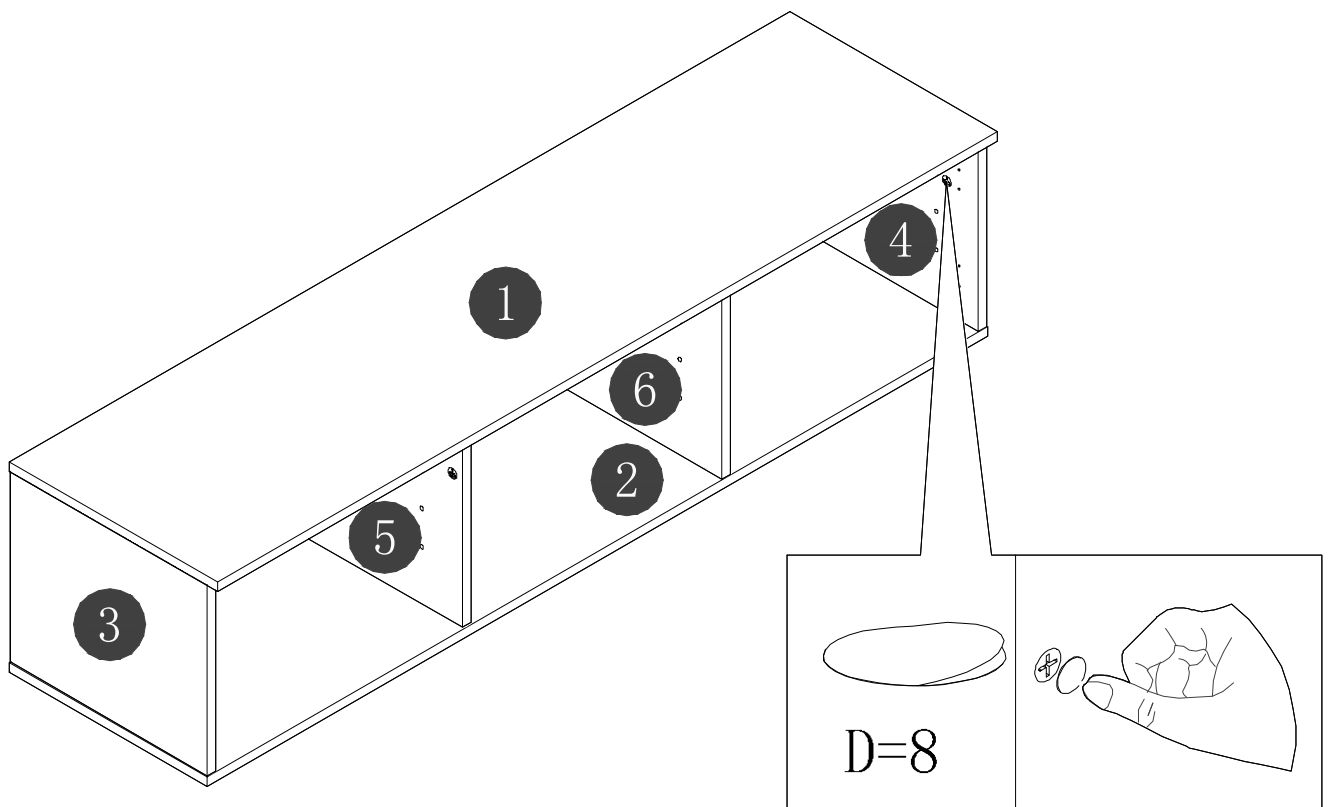
# STEP 2



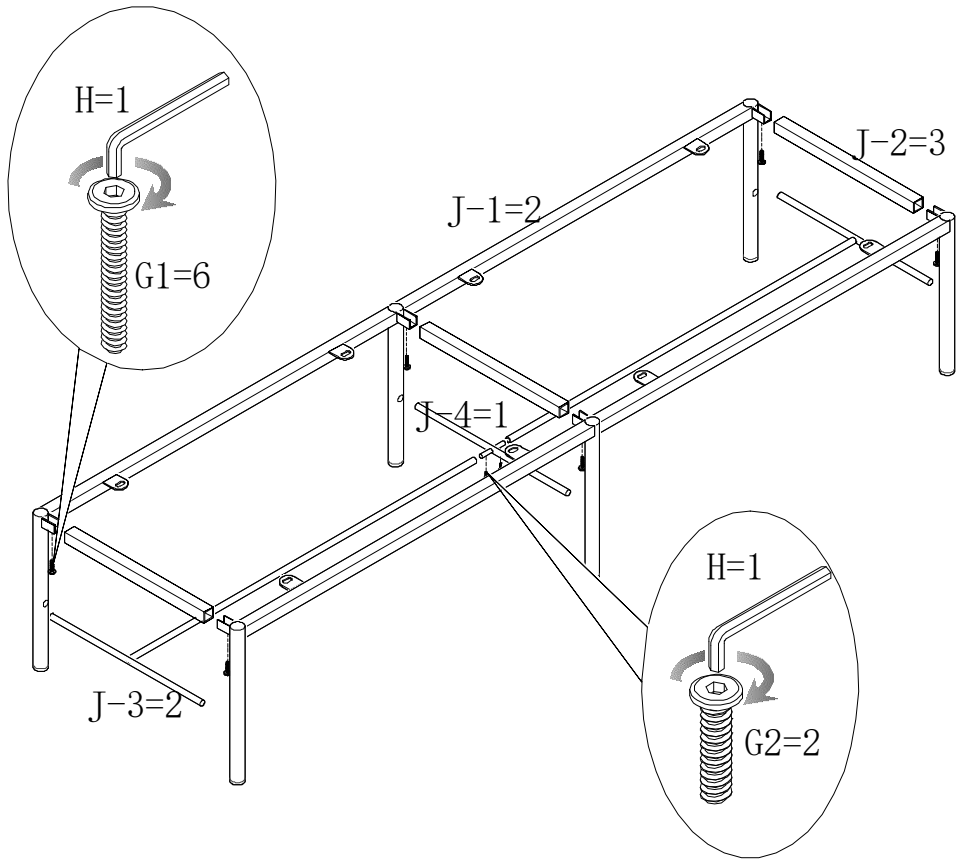
# STEP 3



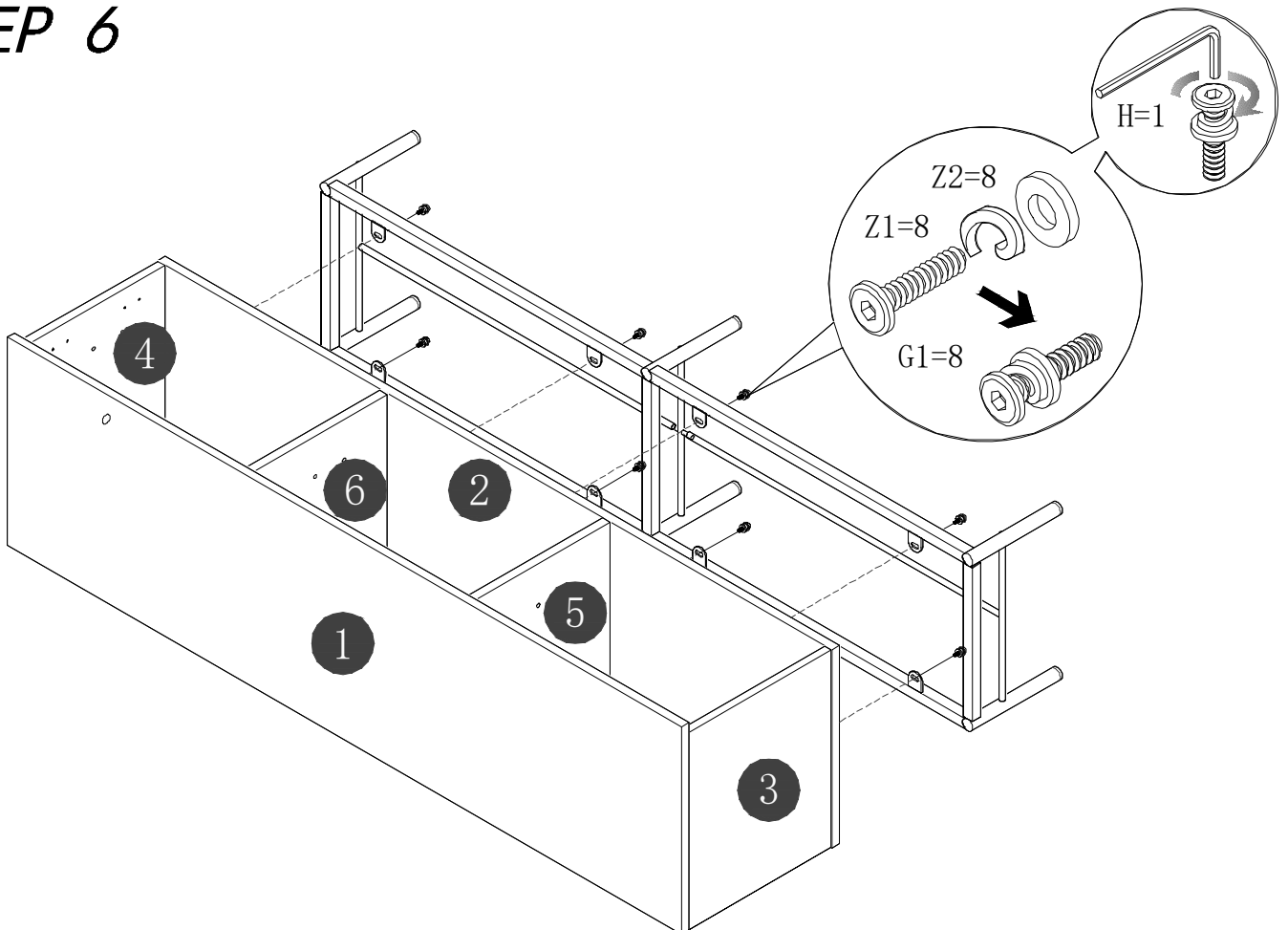
# STEP 4



# STEP 5

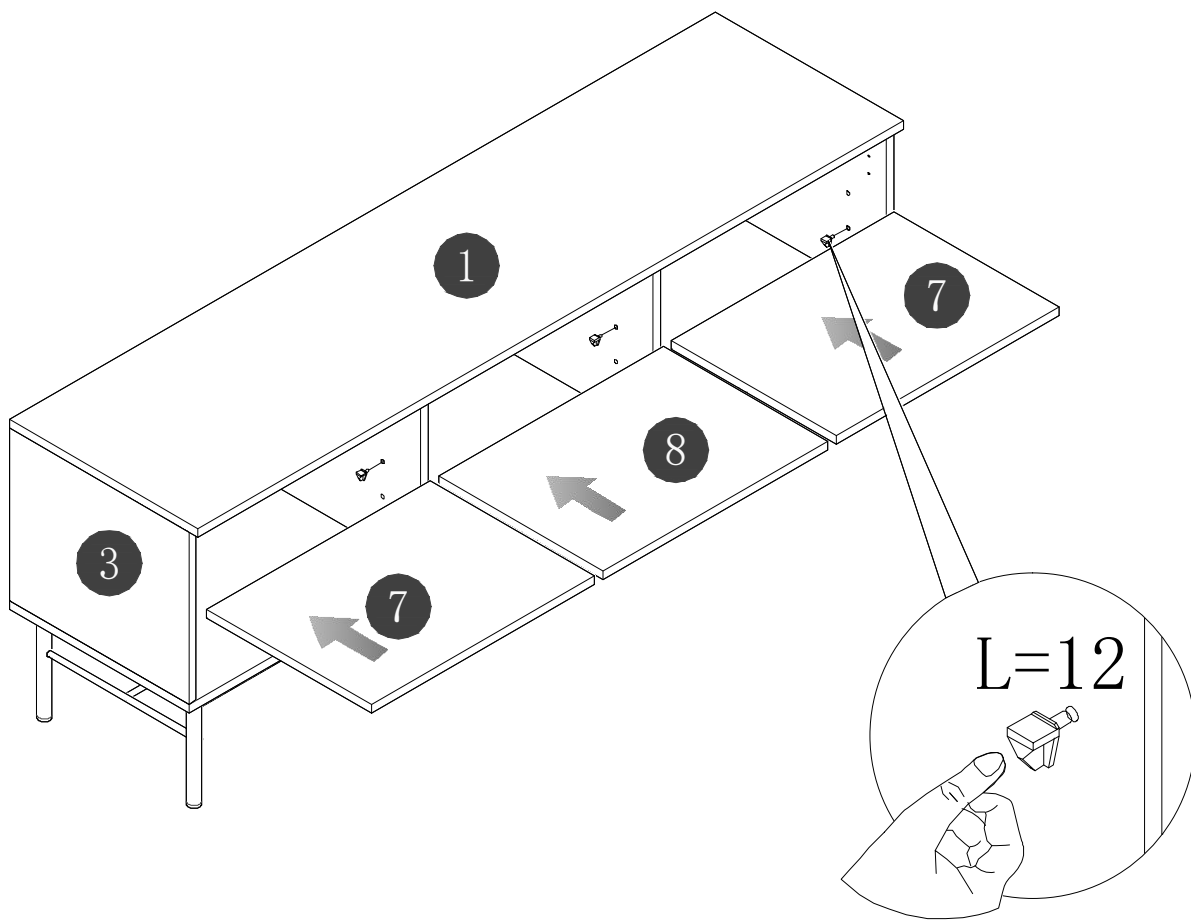


# STEP 6

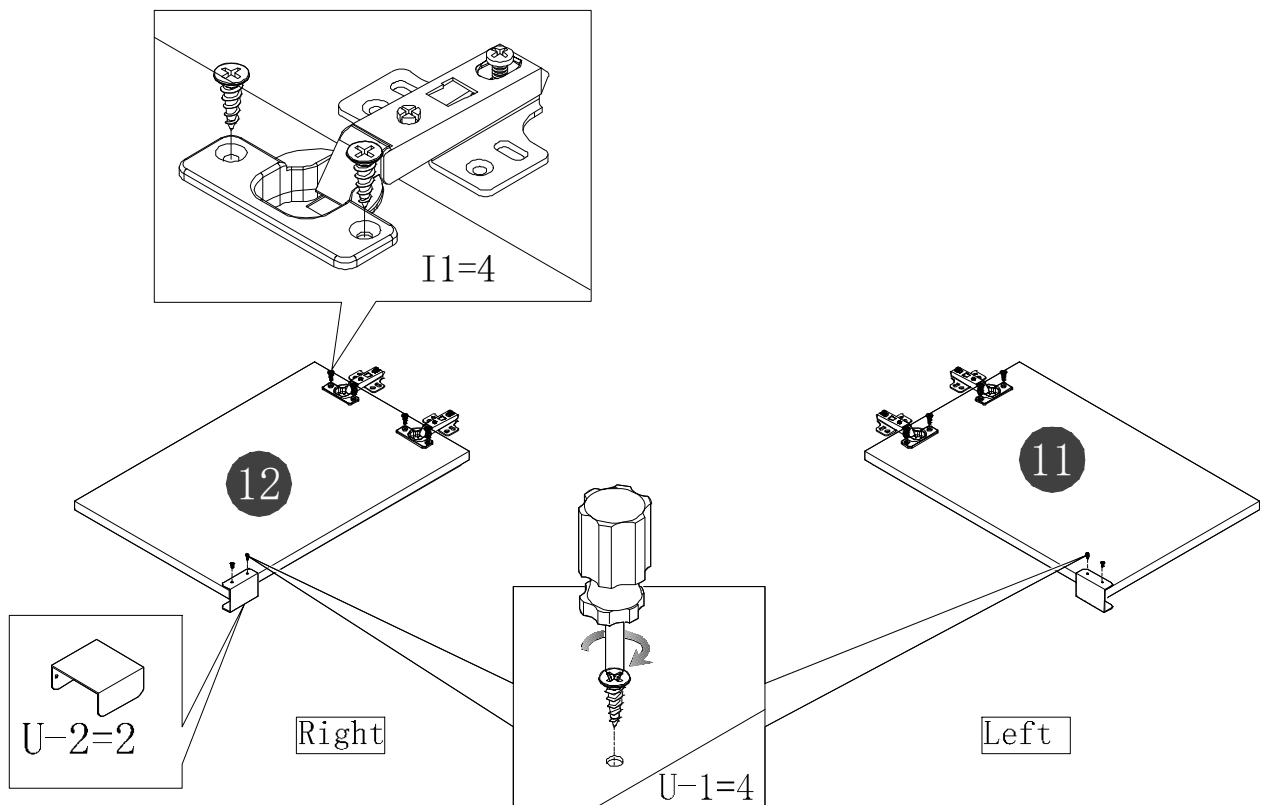




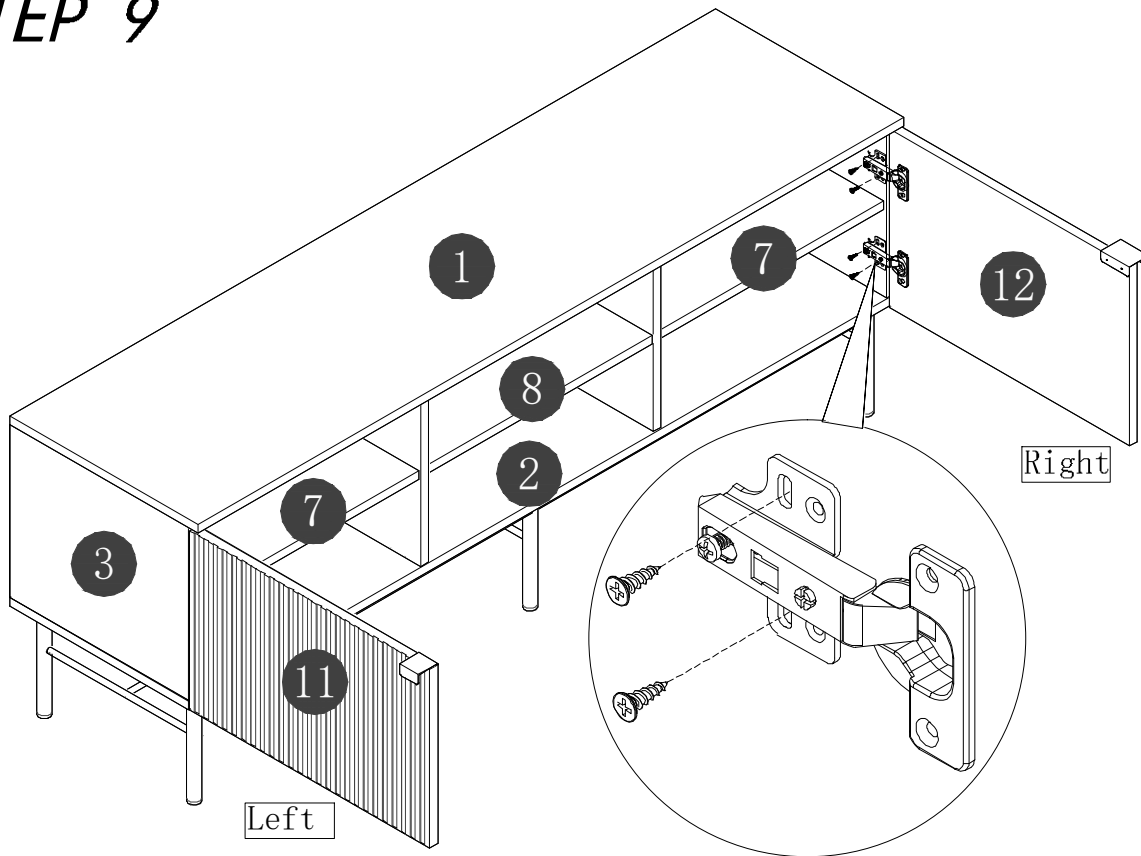
# STEP 7



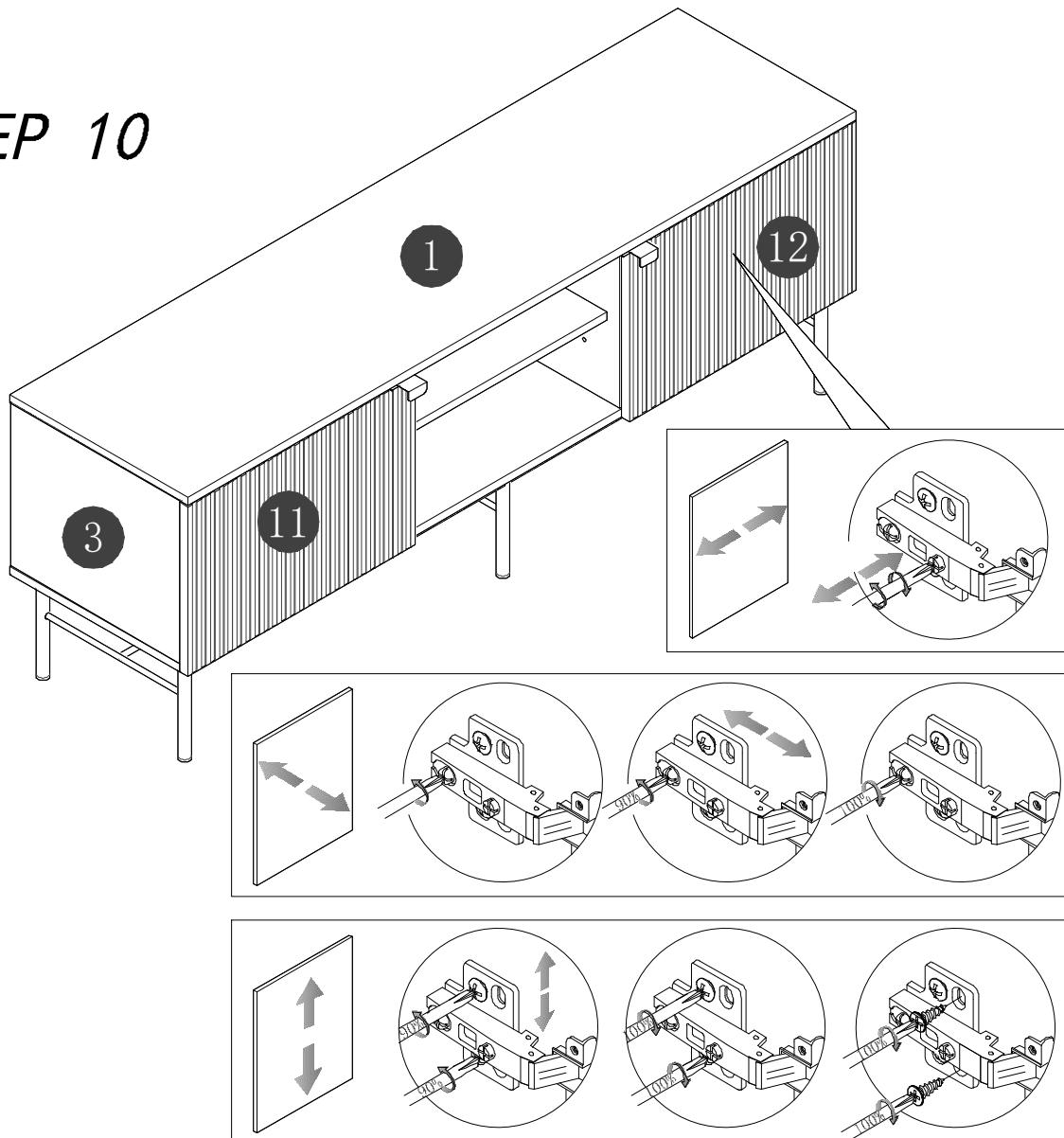
# STEP 8



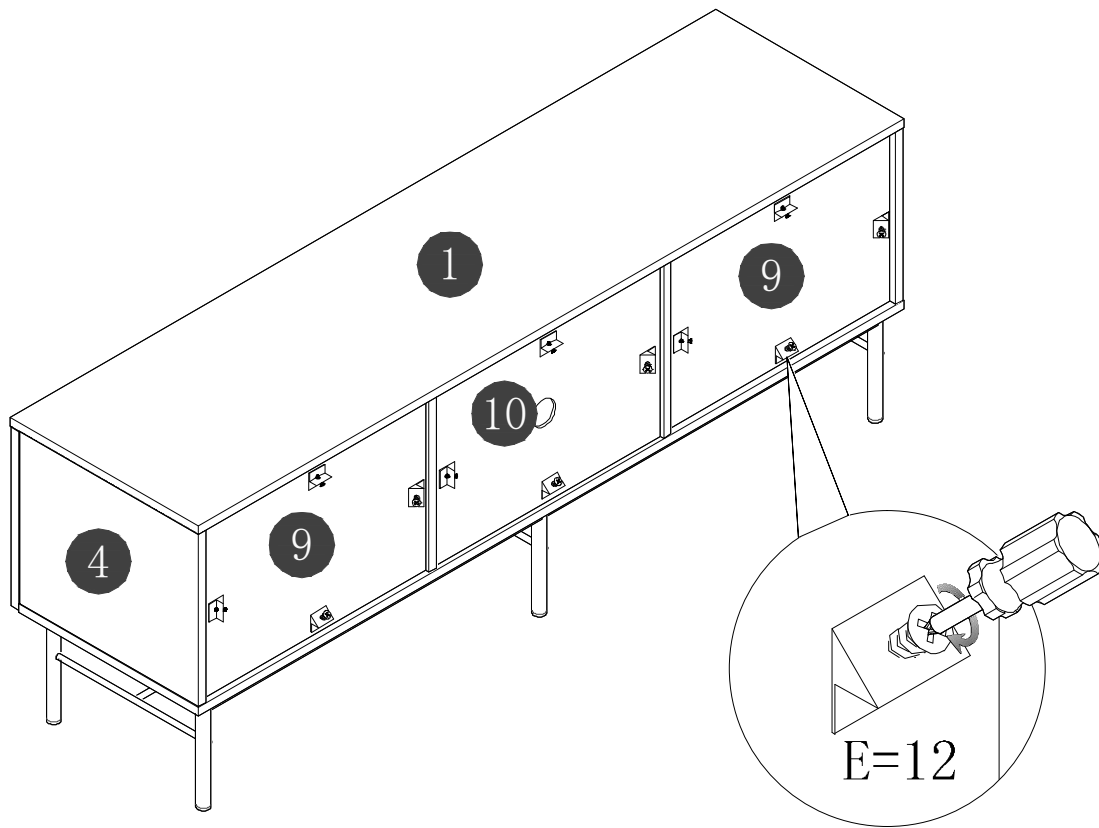
# STEP 9



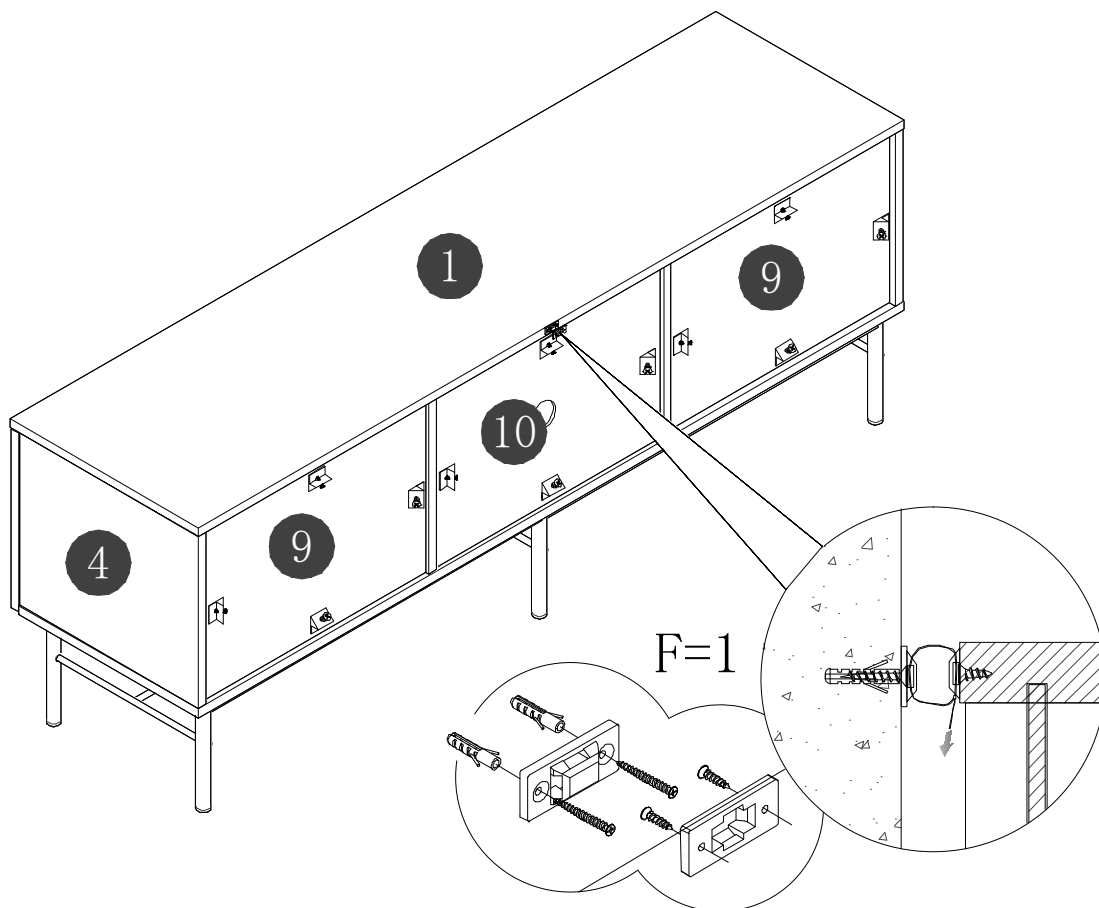
# STEP 10



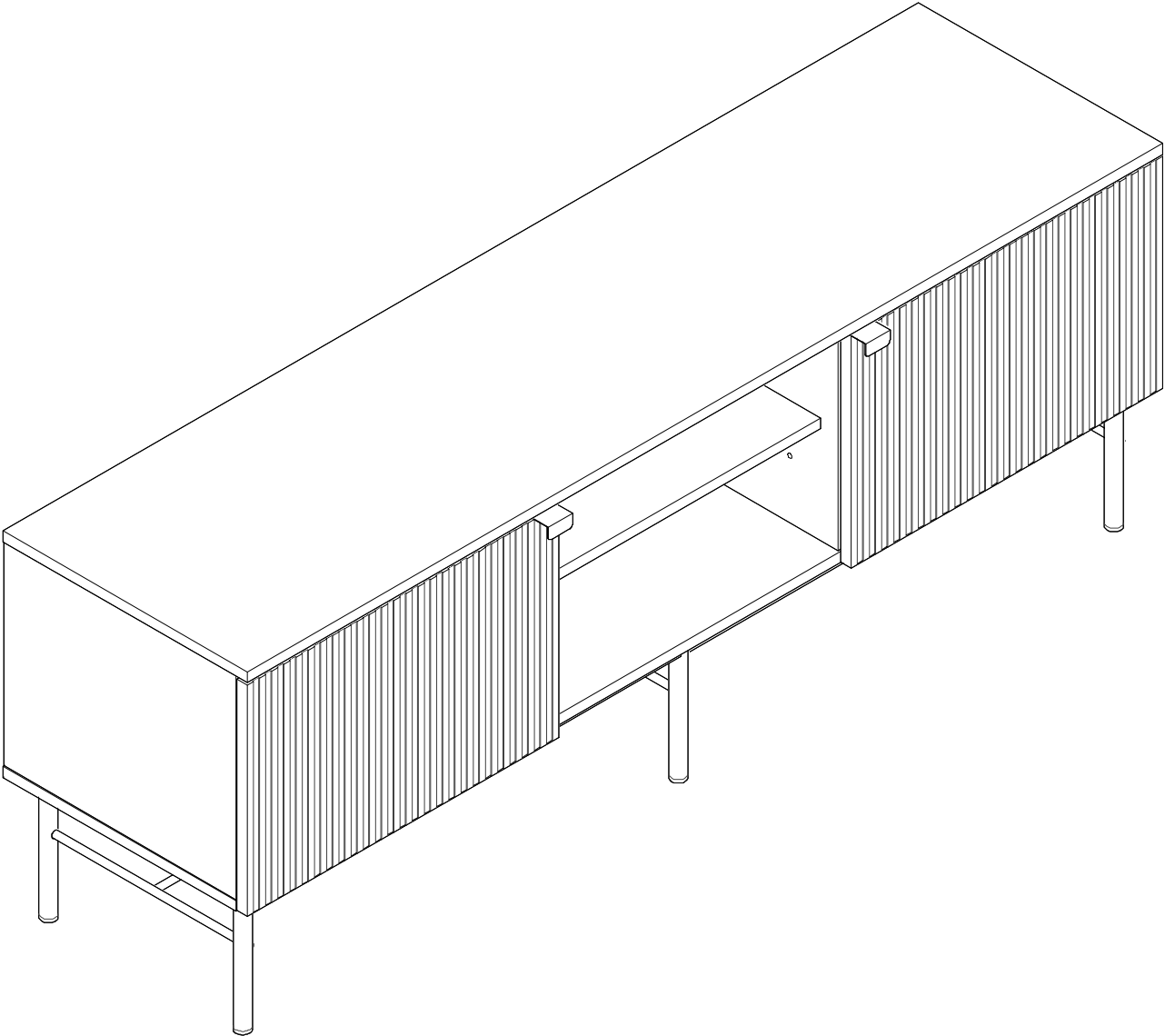
# STEP 11



# STEP 12



*STEP 13*



*Finish*