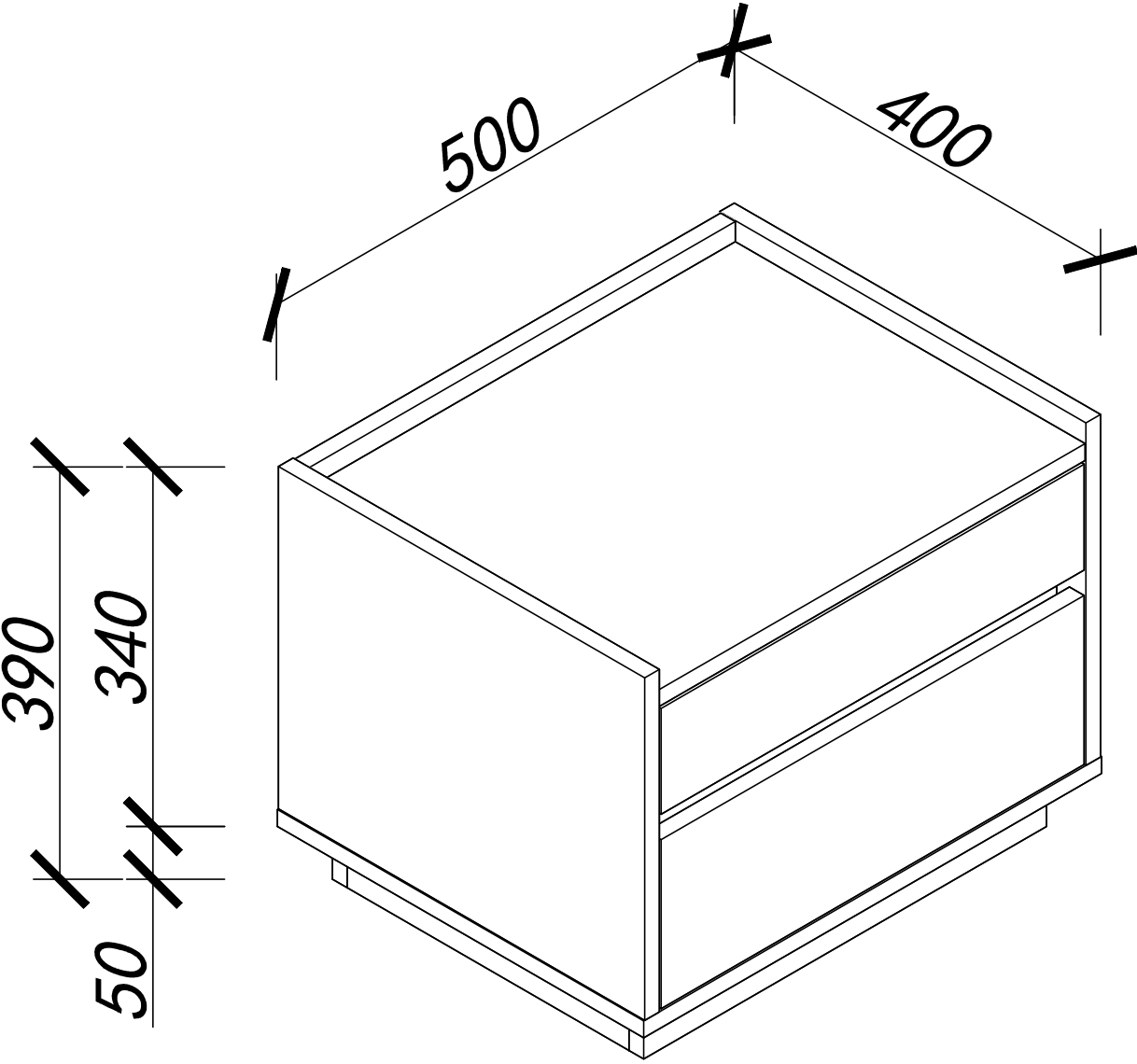
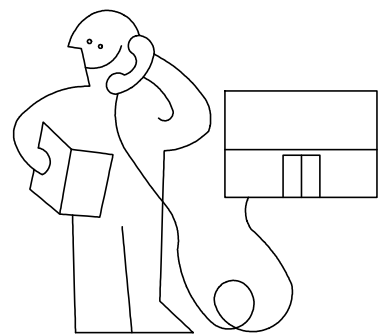
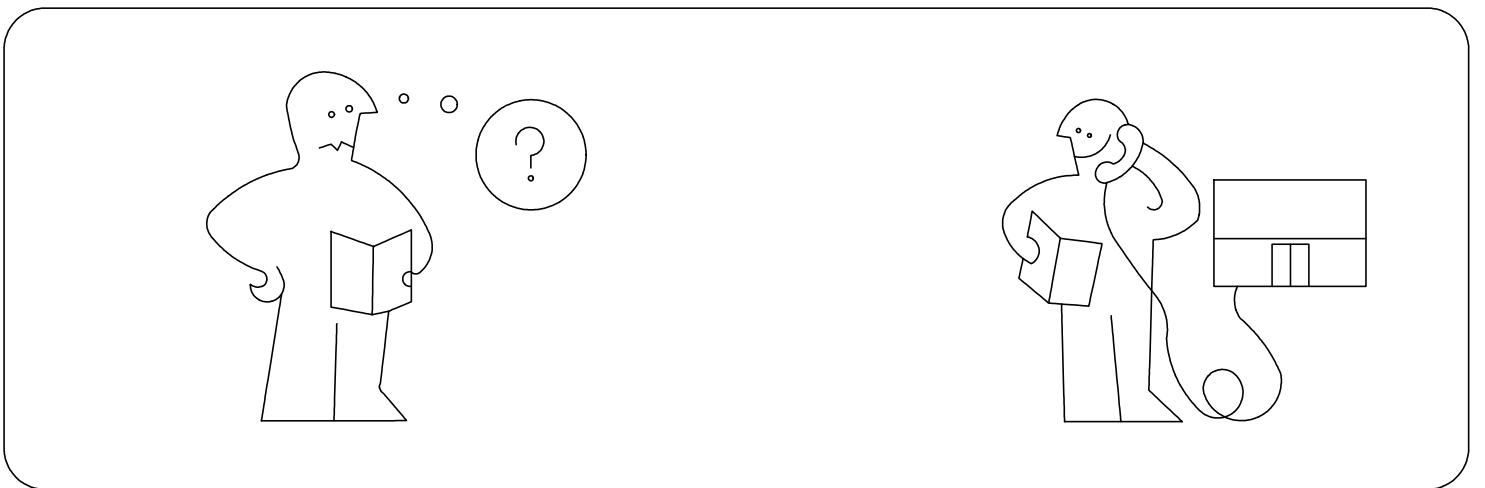
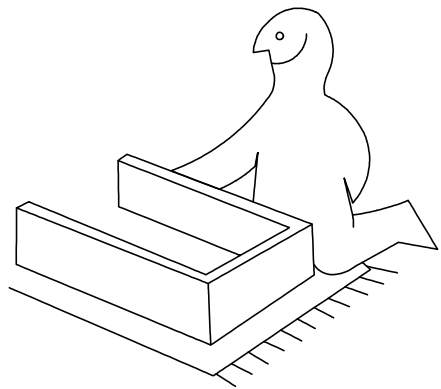
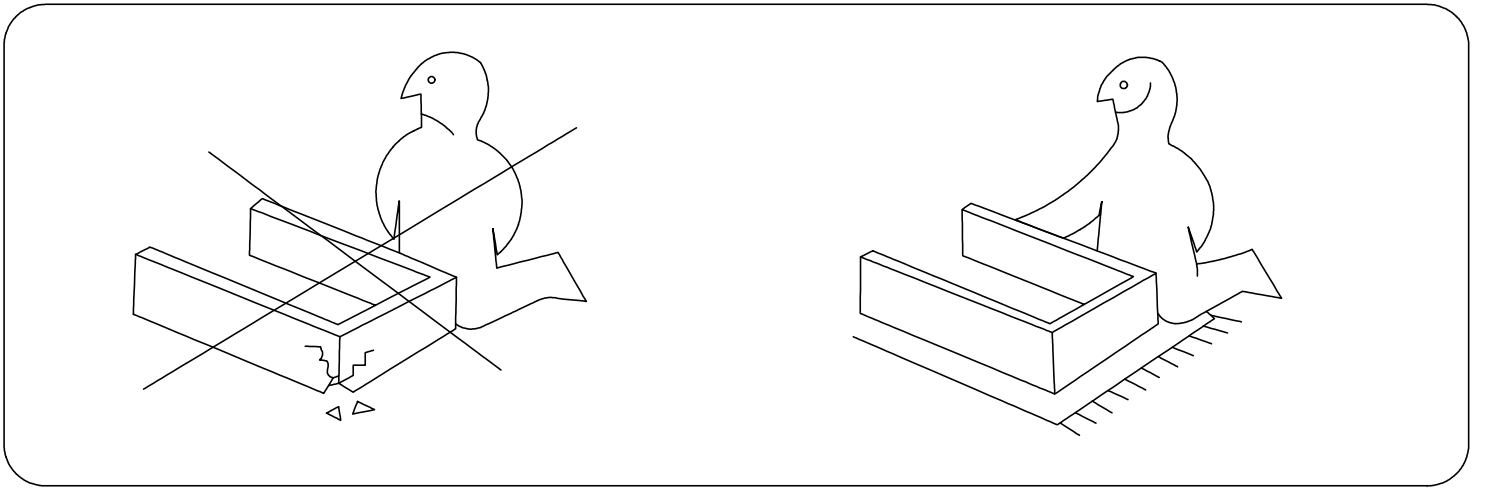
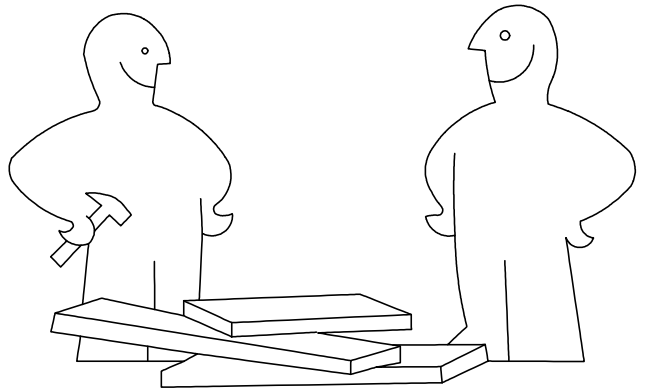
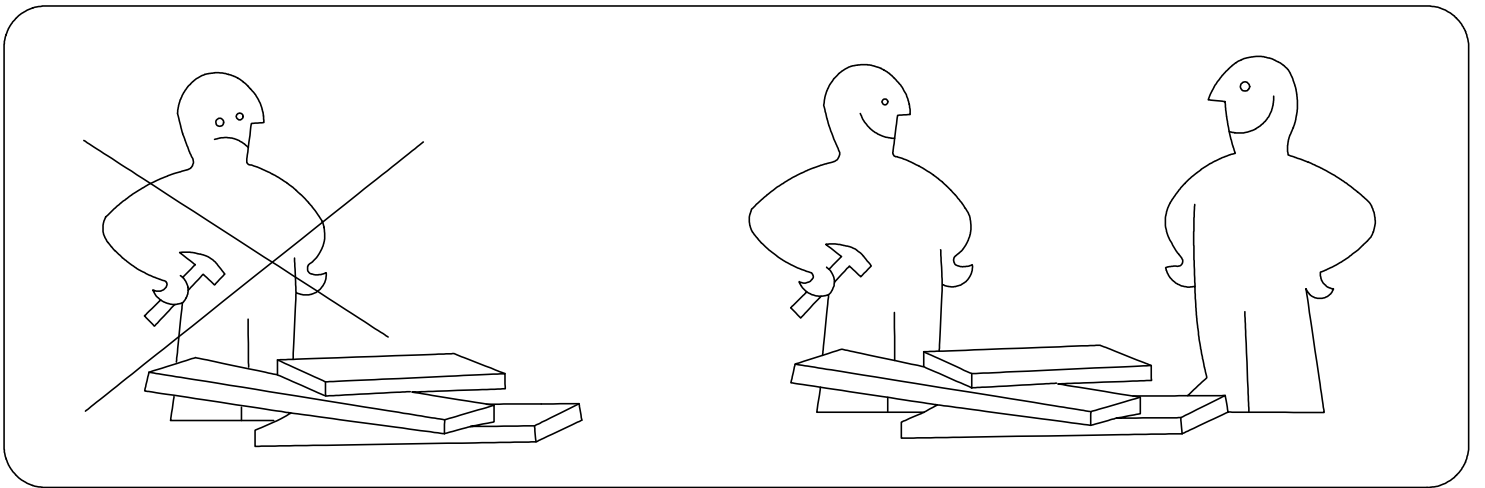
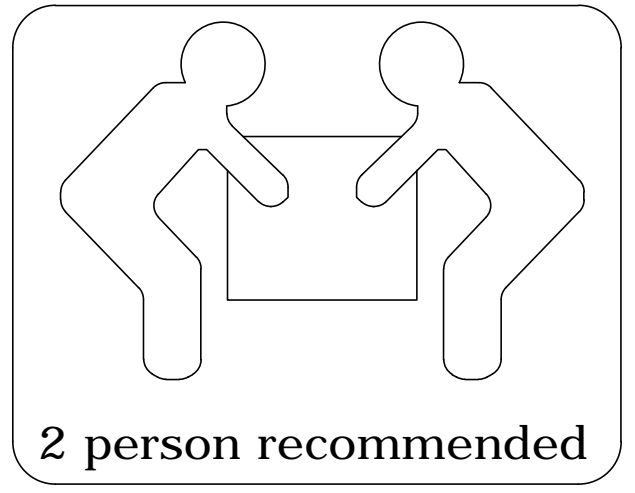
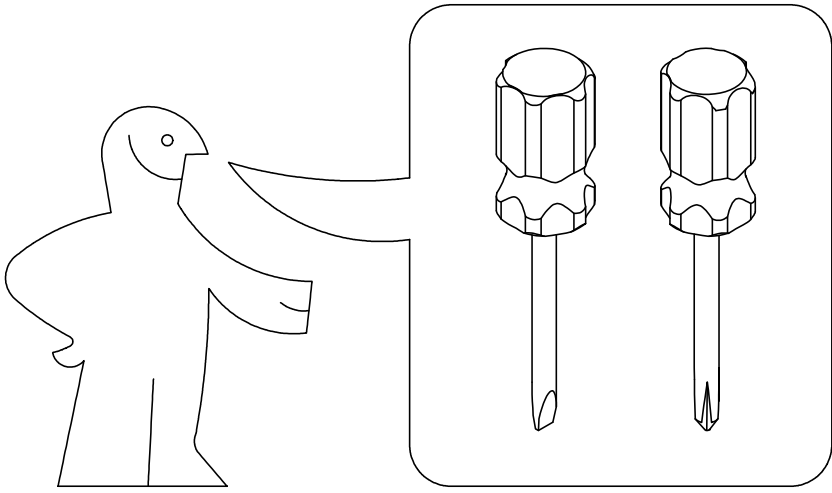


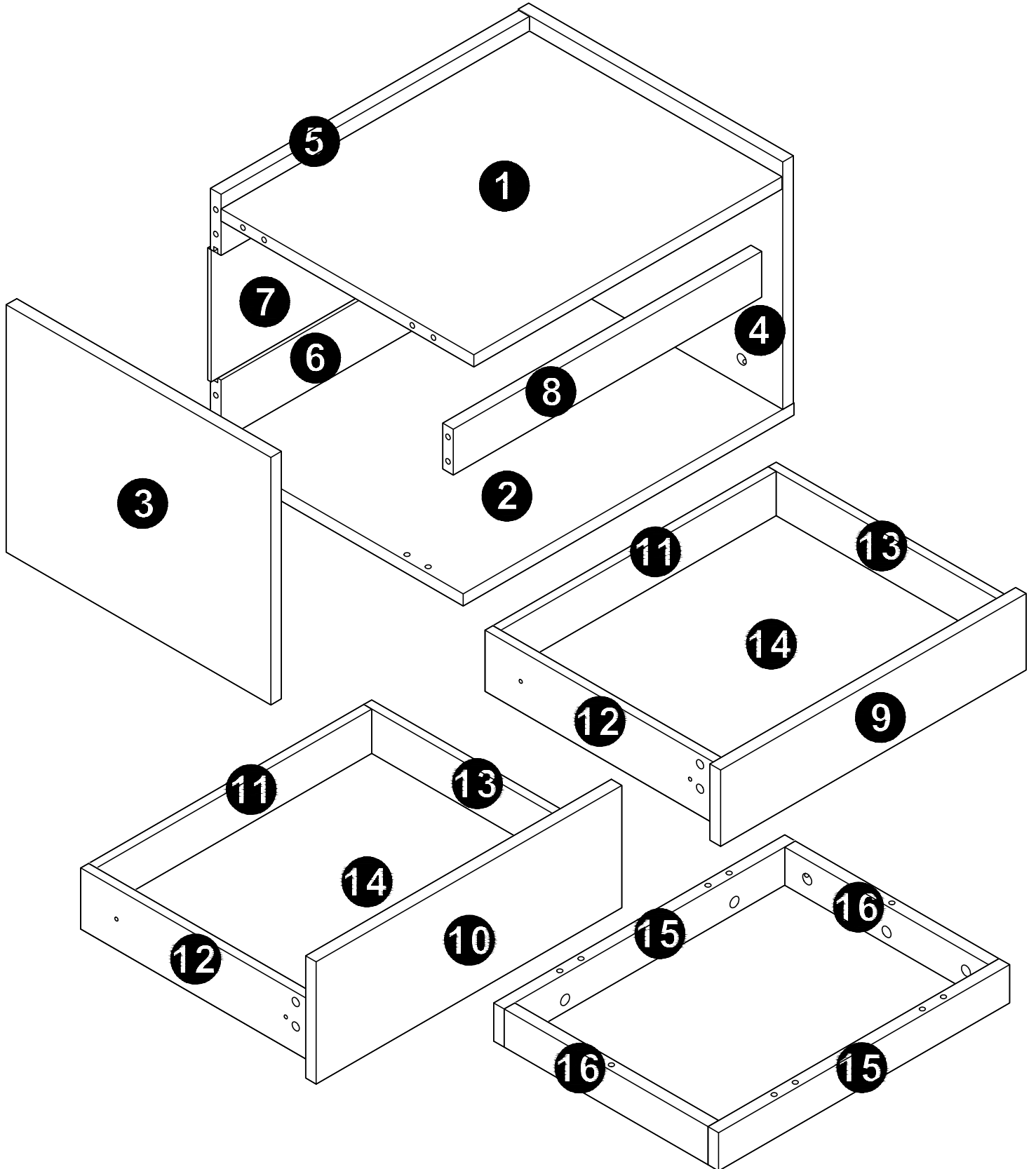
Assembly Instruction





Panel No	Panel Sizes	Quantity
1	466*382*16	1
2	500*400*16	1
3	324*400*16	1
4	324*400*16	1
5	466*80*16	1
6	466*80*16	1
7	476*173*5	1
8	466*60*16	1

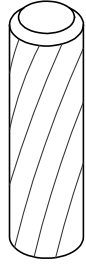
Panel No	Panel Sizes	Quantity
9	462*100*16	1
10	462*160*16	1
11	416*80*12	2
12	350*80*12	2
13	350*80*12	2
14	426*348*5	2
15	440*50*16	2
16	308*50*16	2



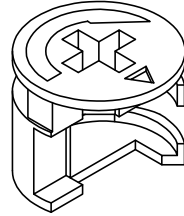
Fittings



A=28



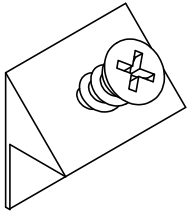
B=18



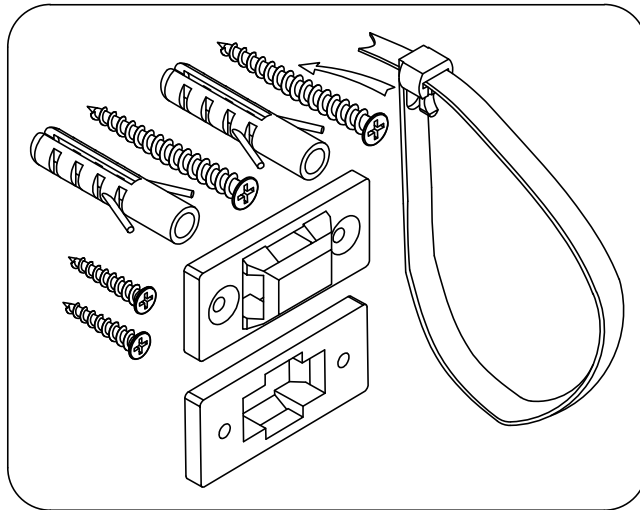
C=28



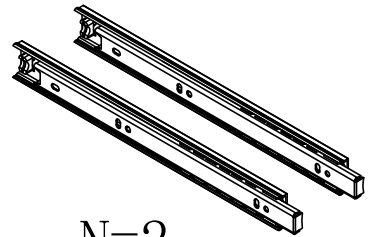
D=44



E=4



F=1



N=2



O=16



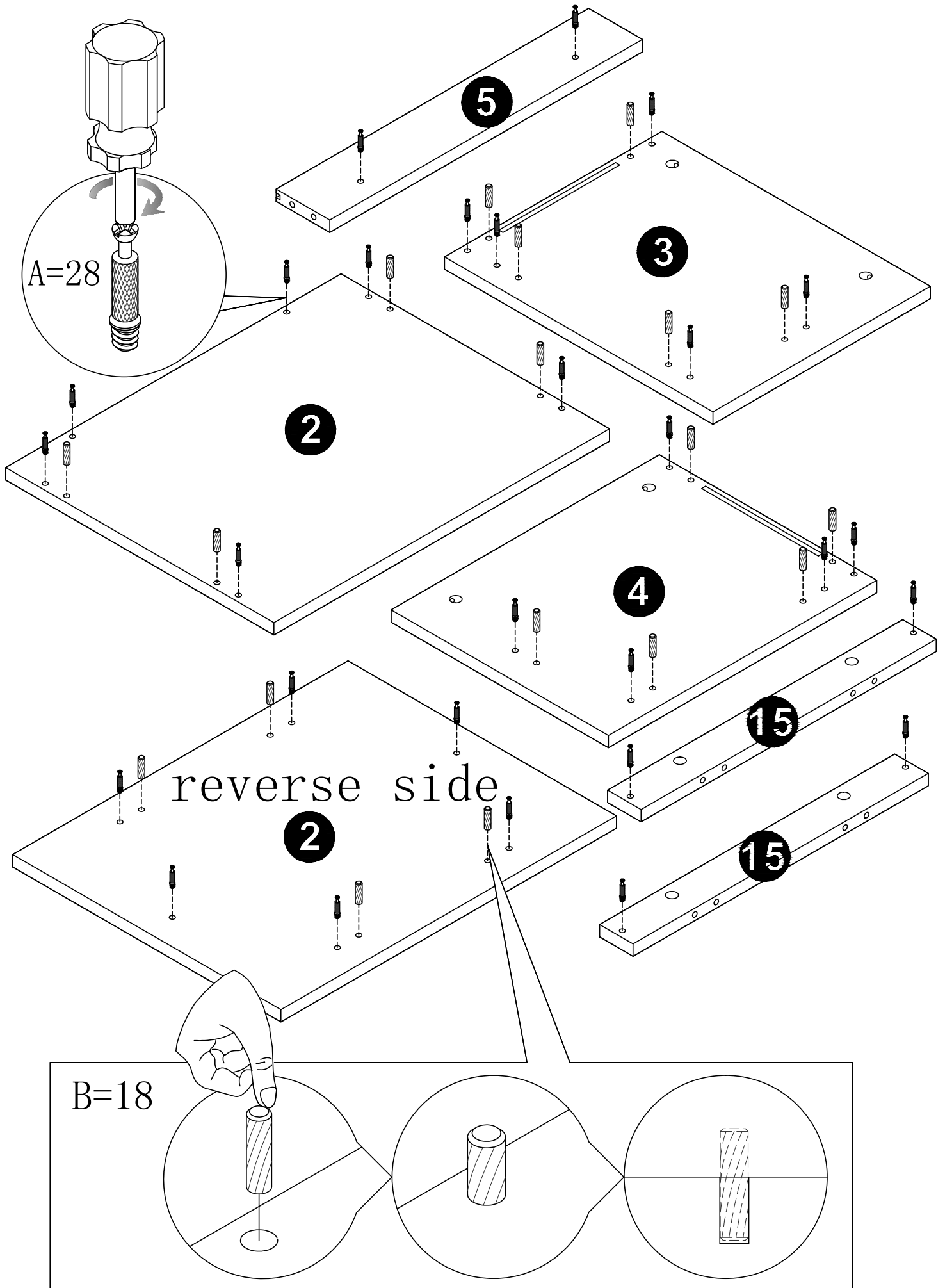
P=16



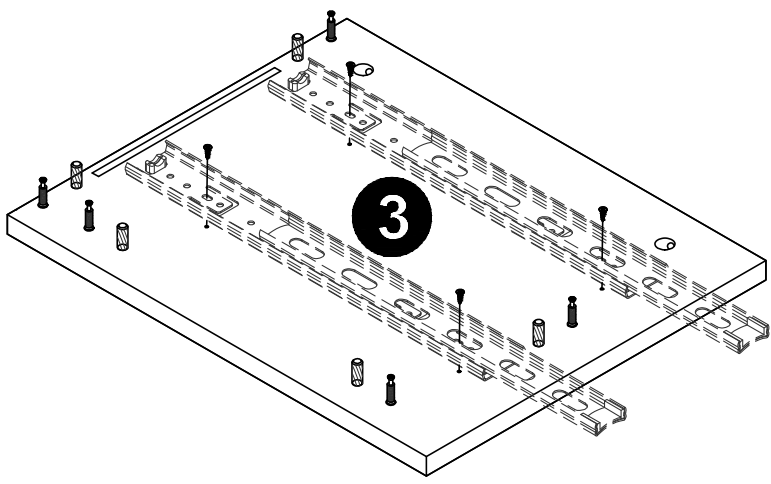
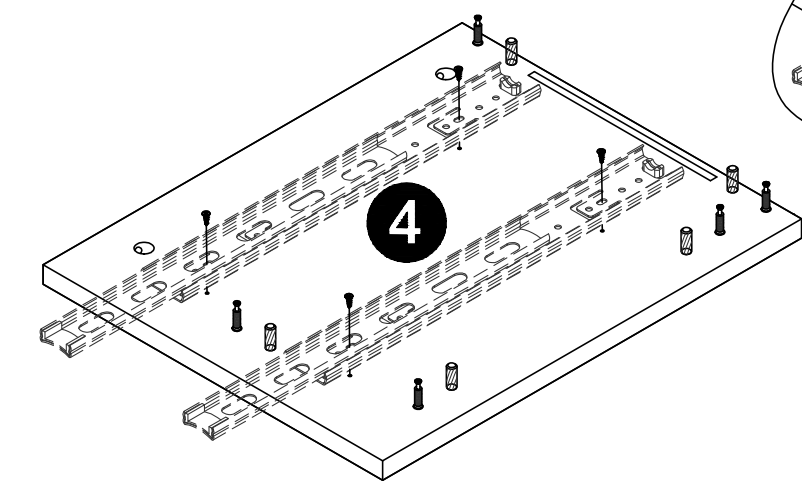
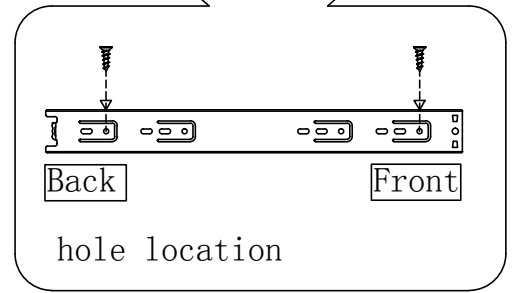
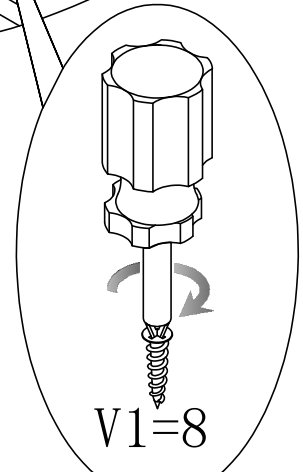
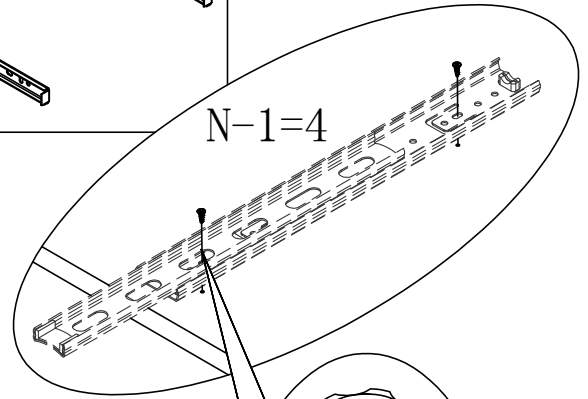
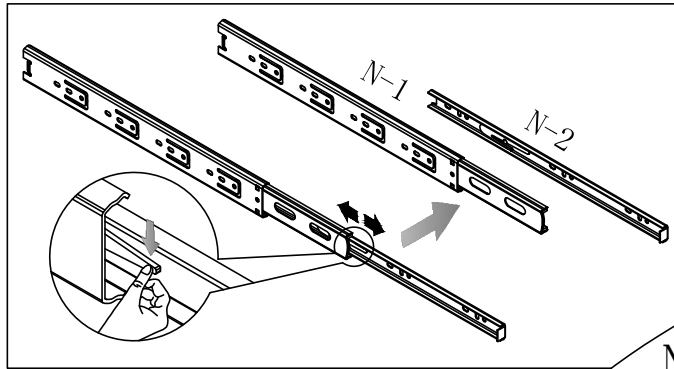
M3. 5*12

V1=16

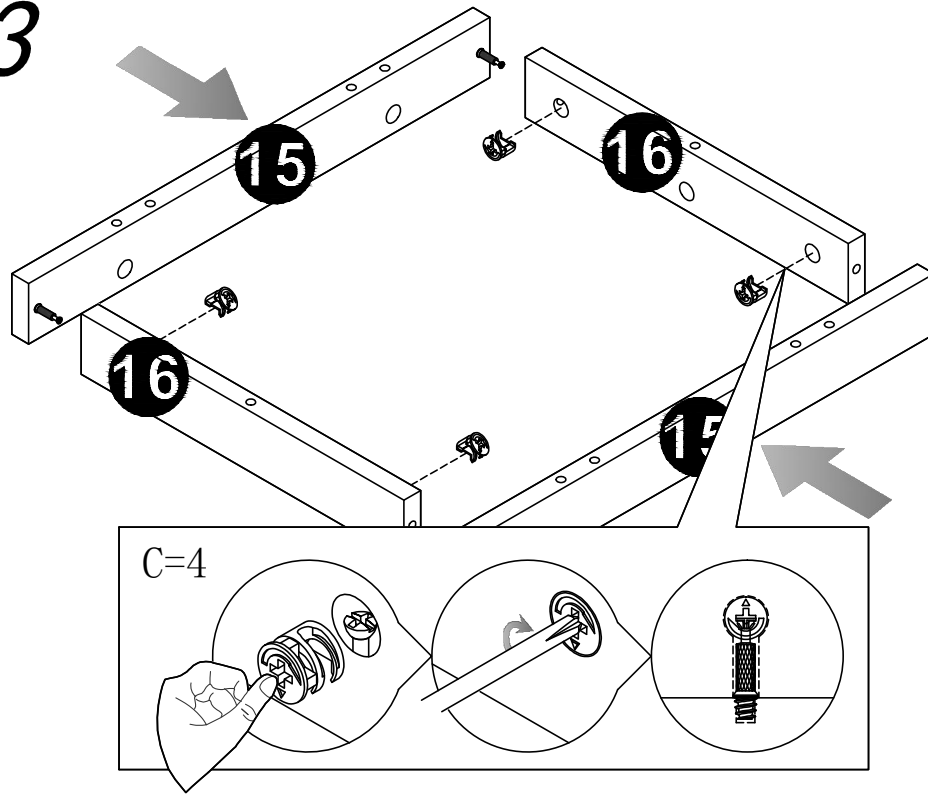
STEP 1



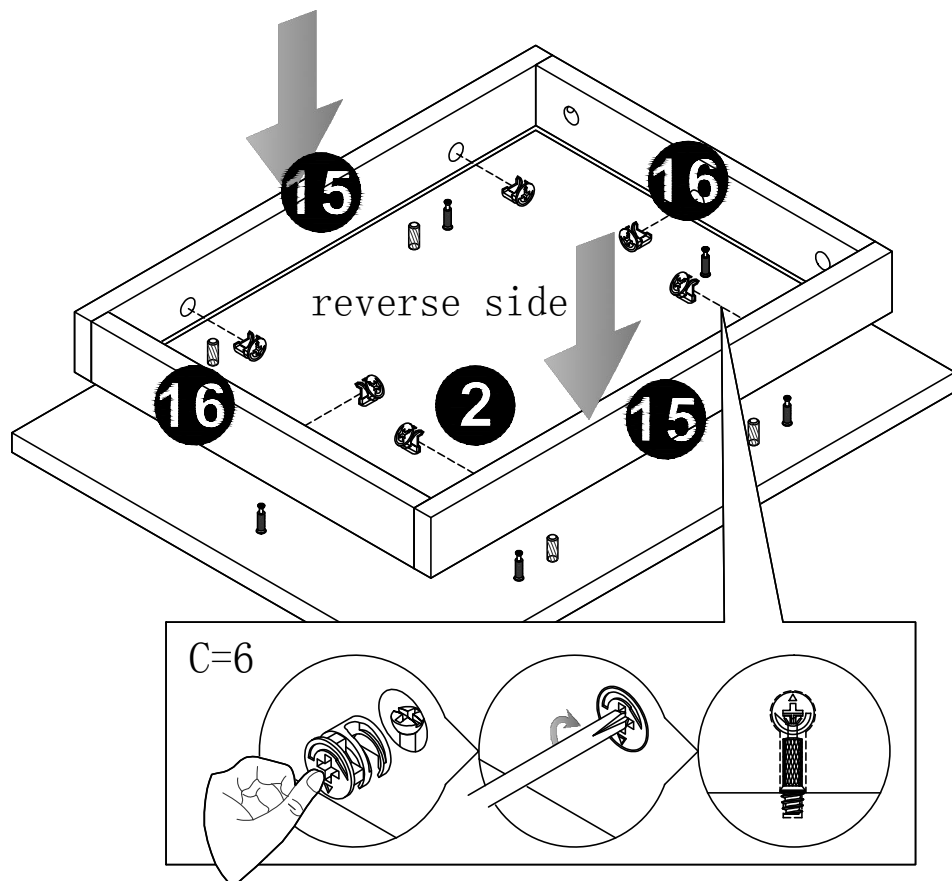
STEP2



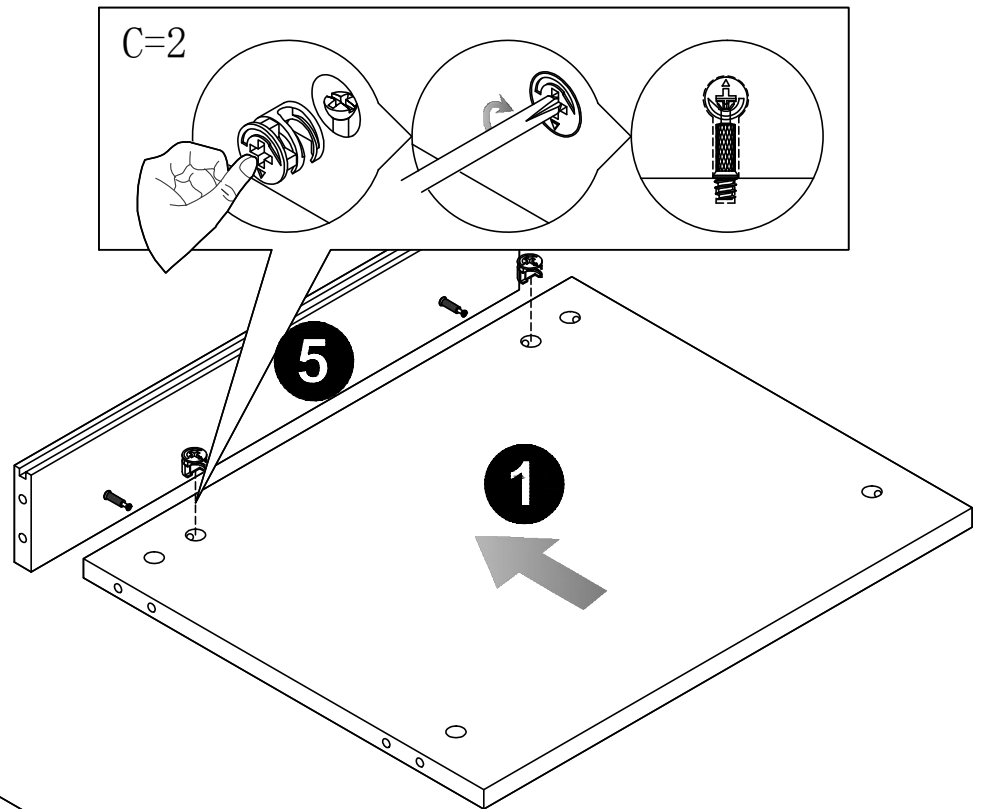
STEP 3



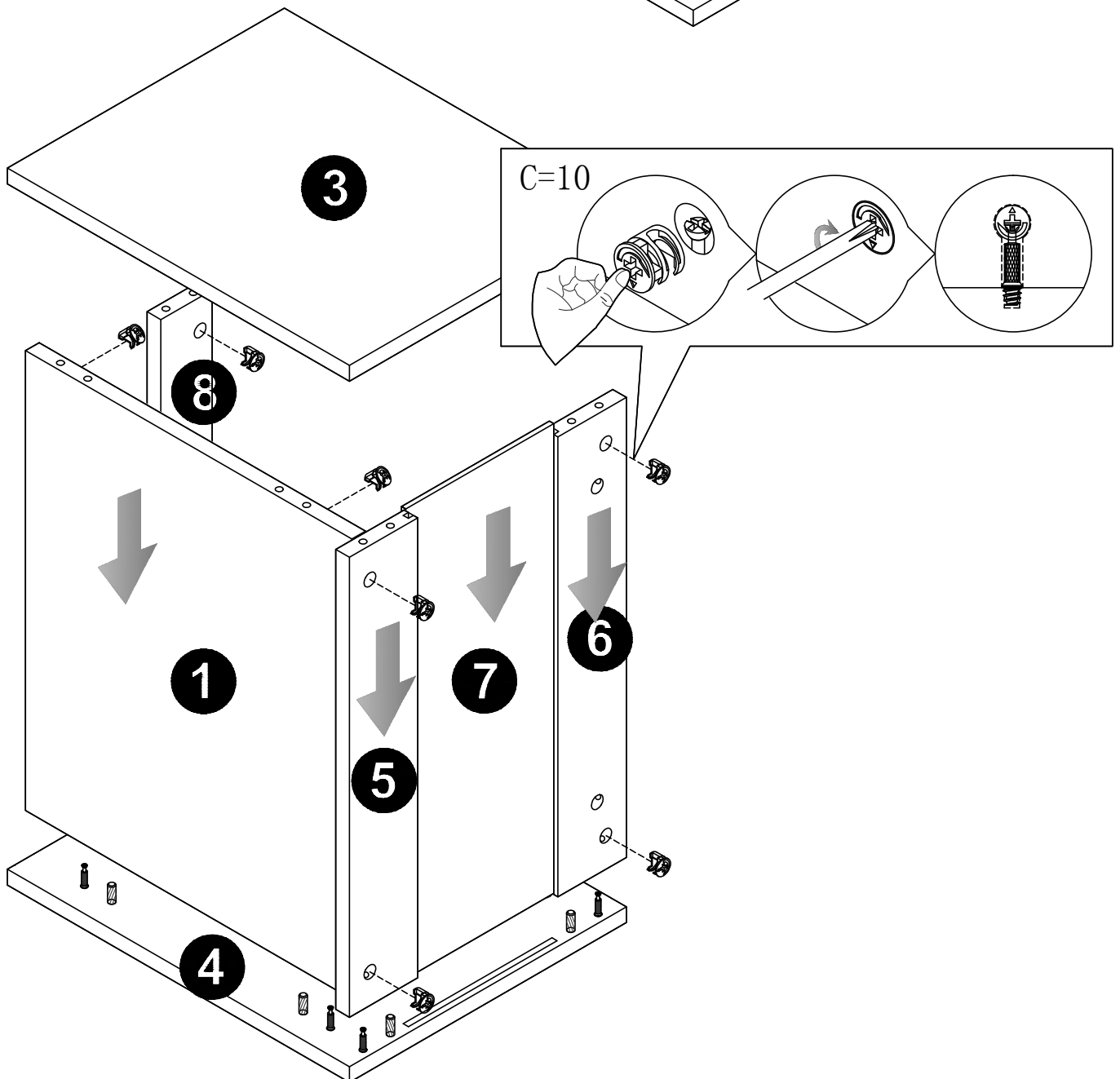
STEP 4



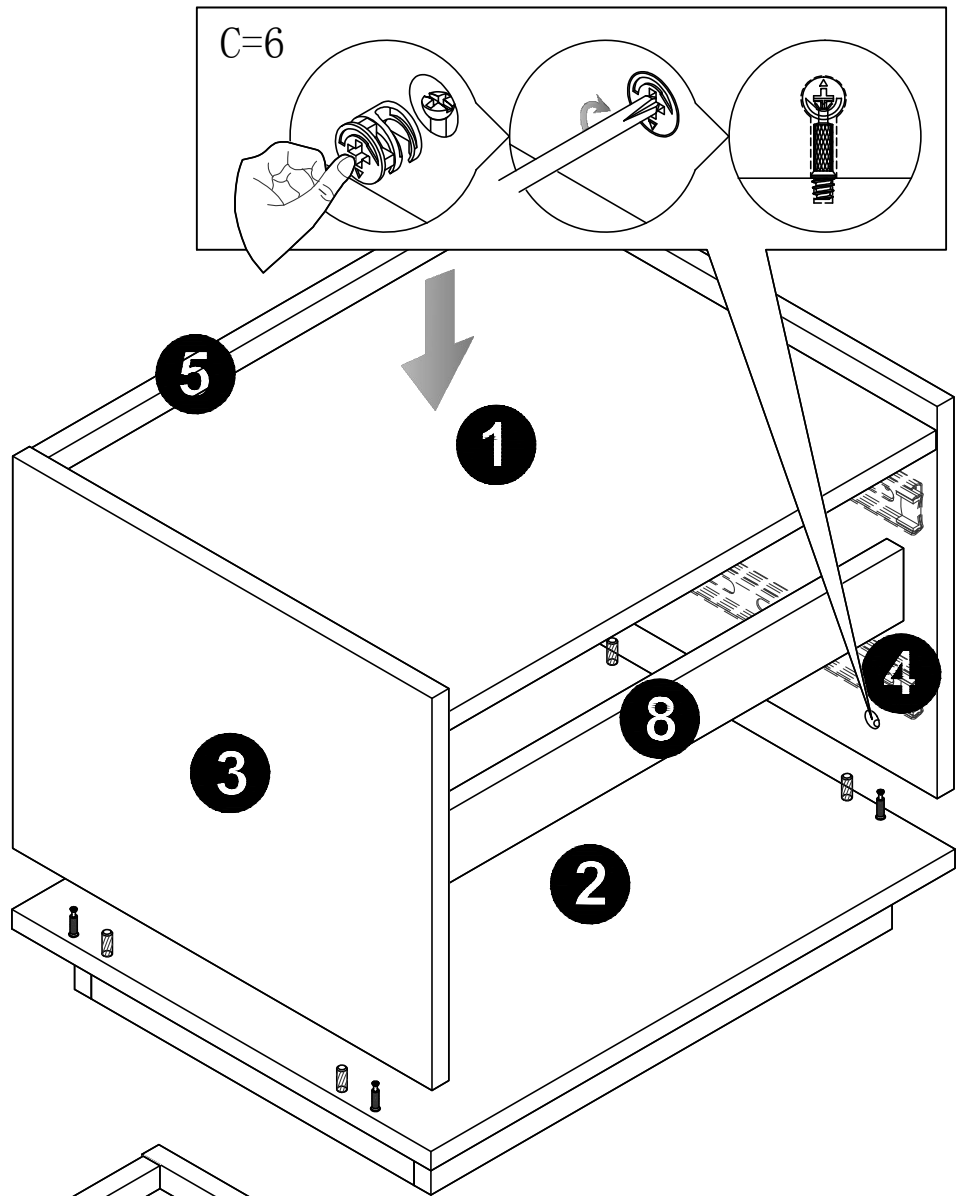
STEP 5



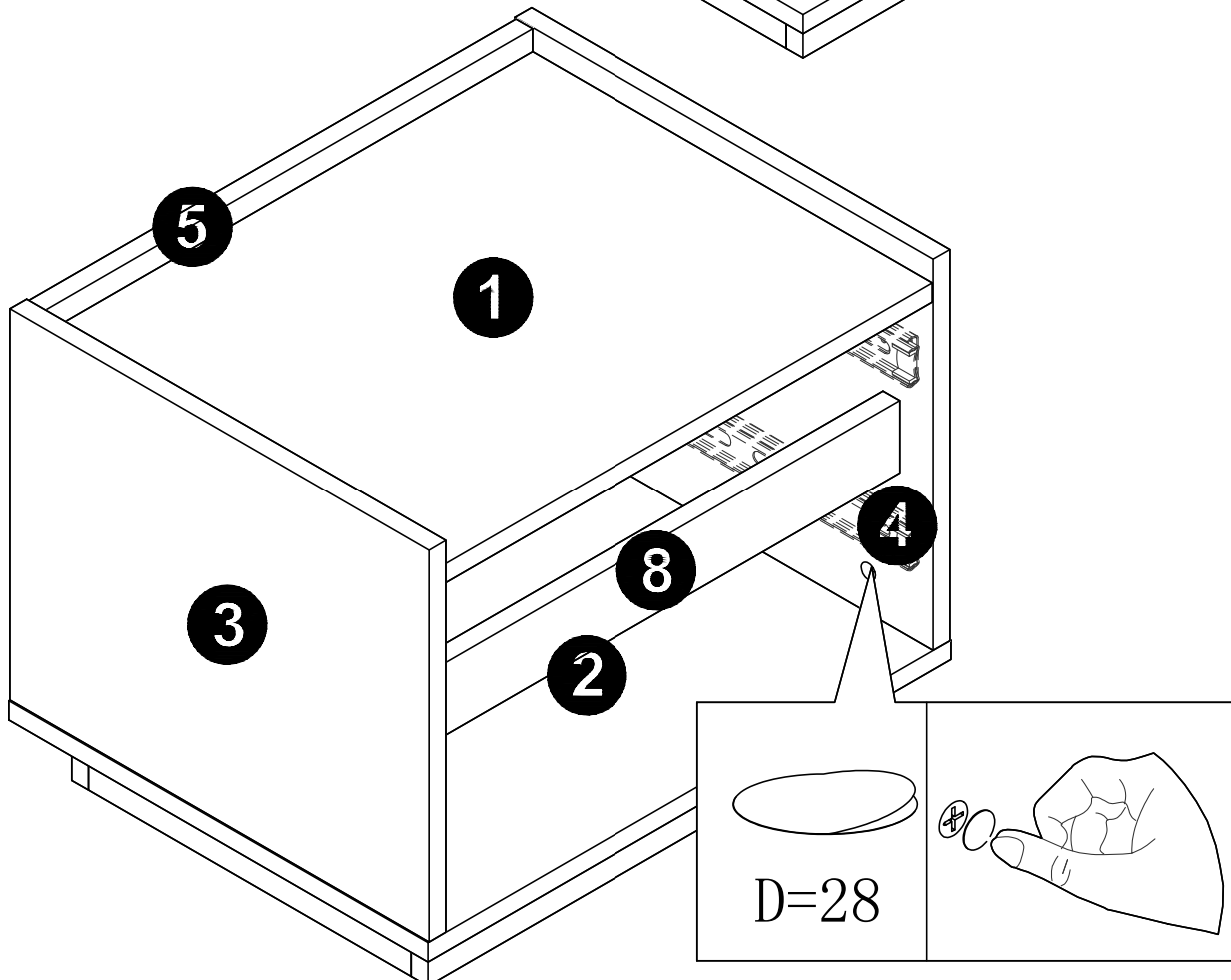
STEP 6



STEP 7

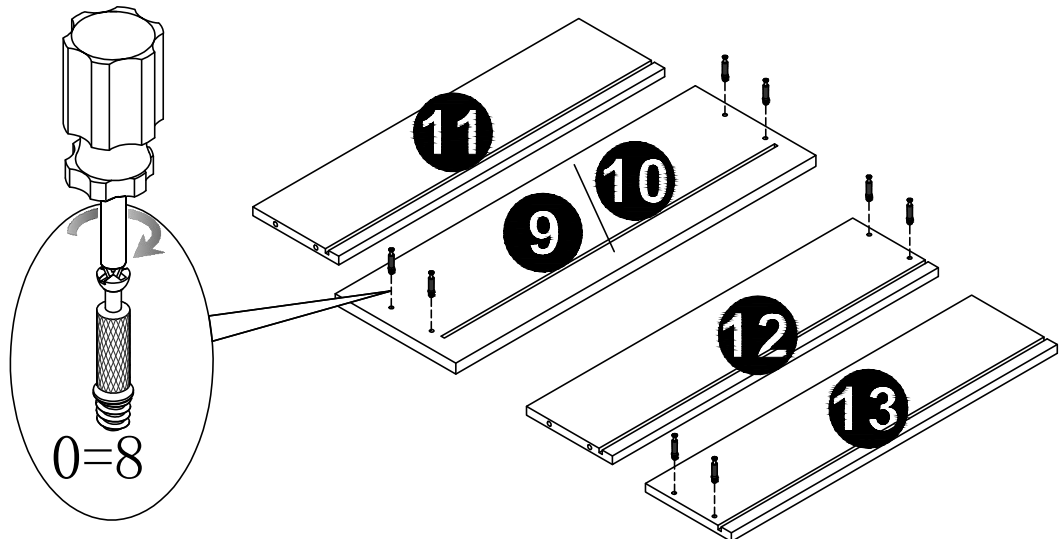


STEP 8

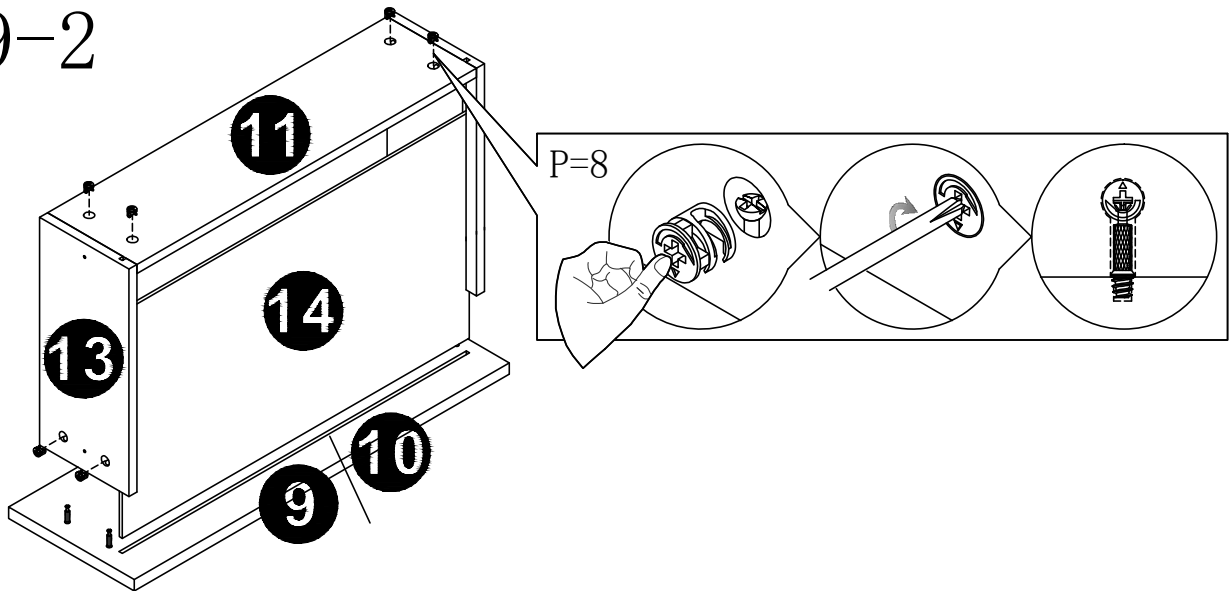


STEP 9

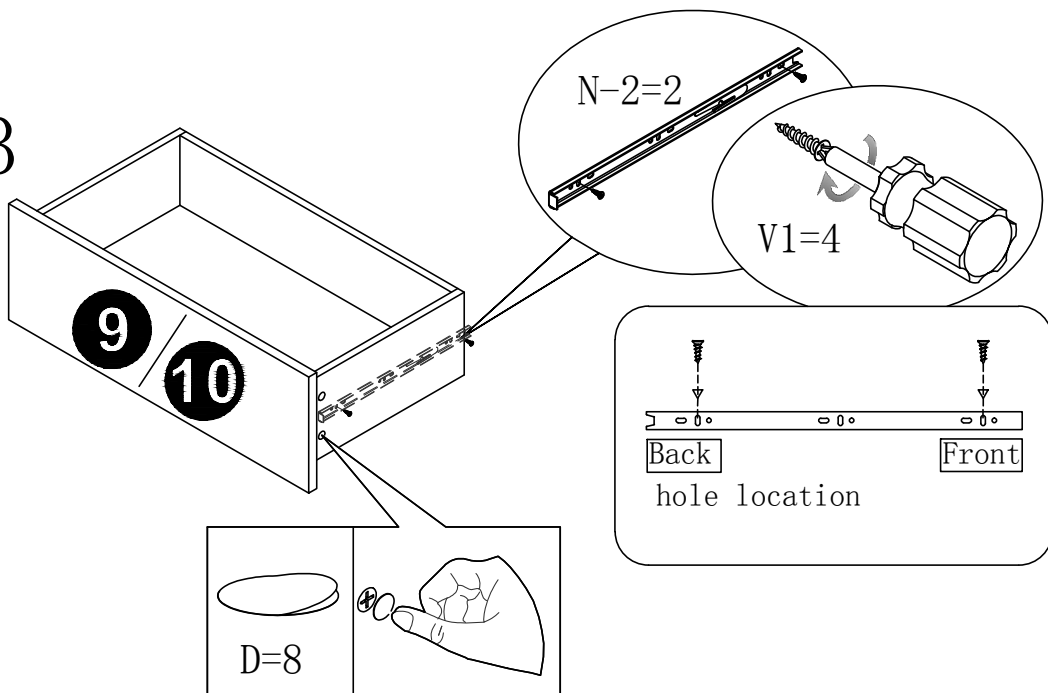
9-1



9-2

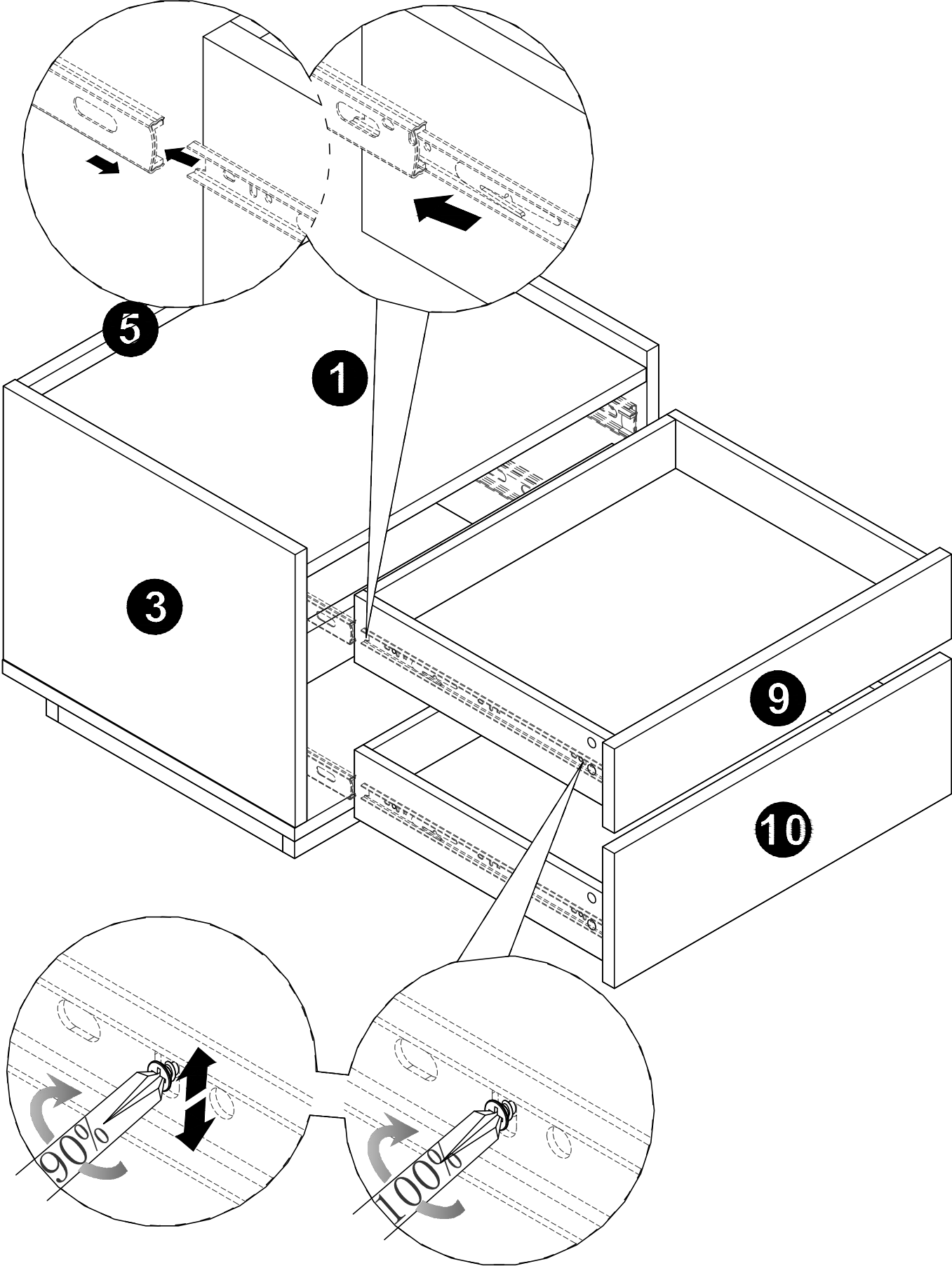


9-3

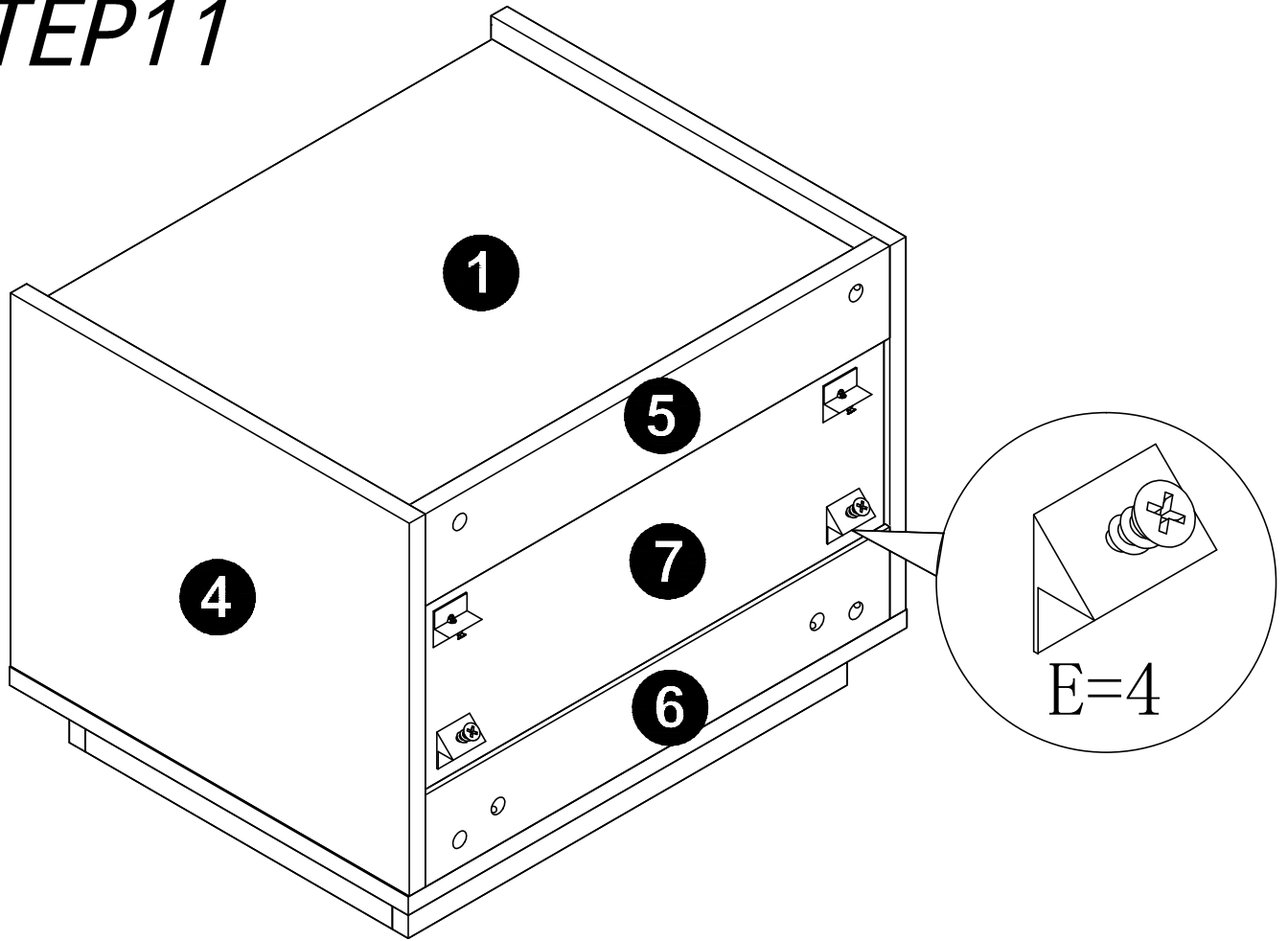


X2

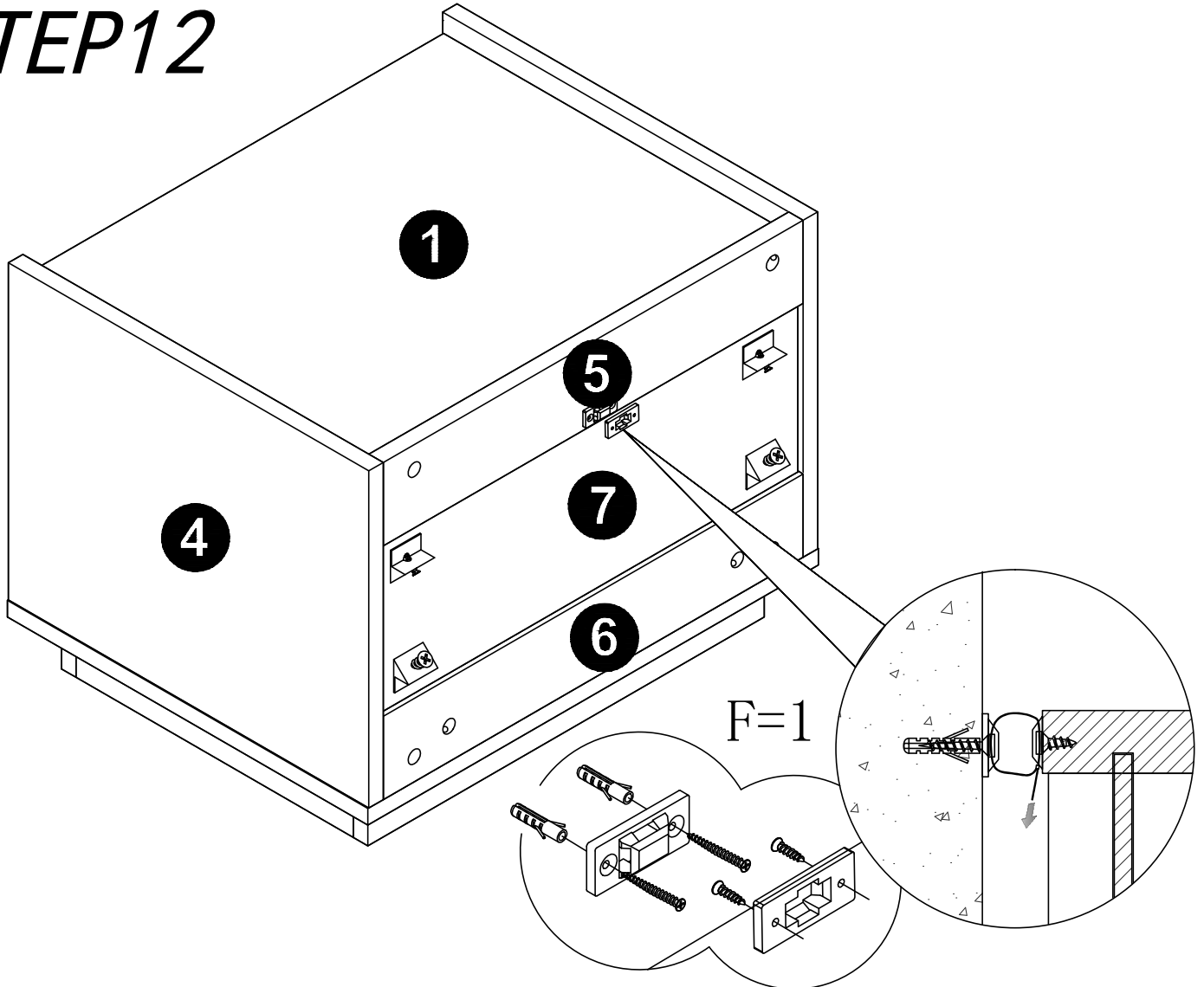
STEP 10



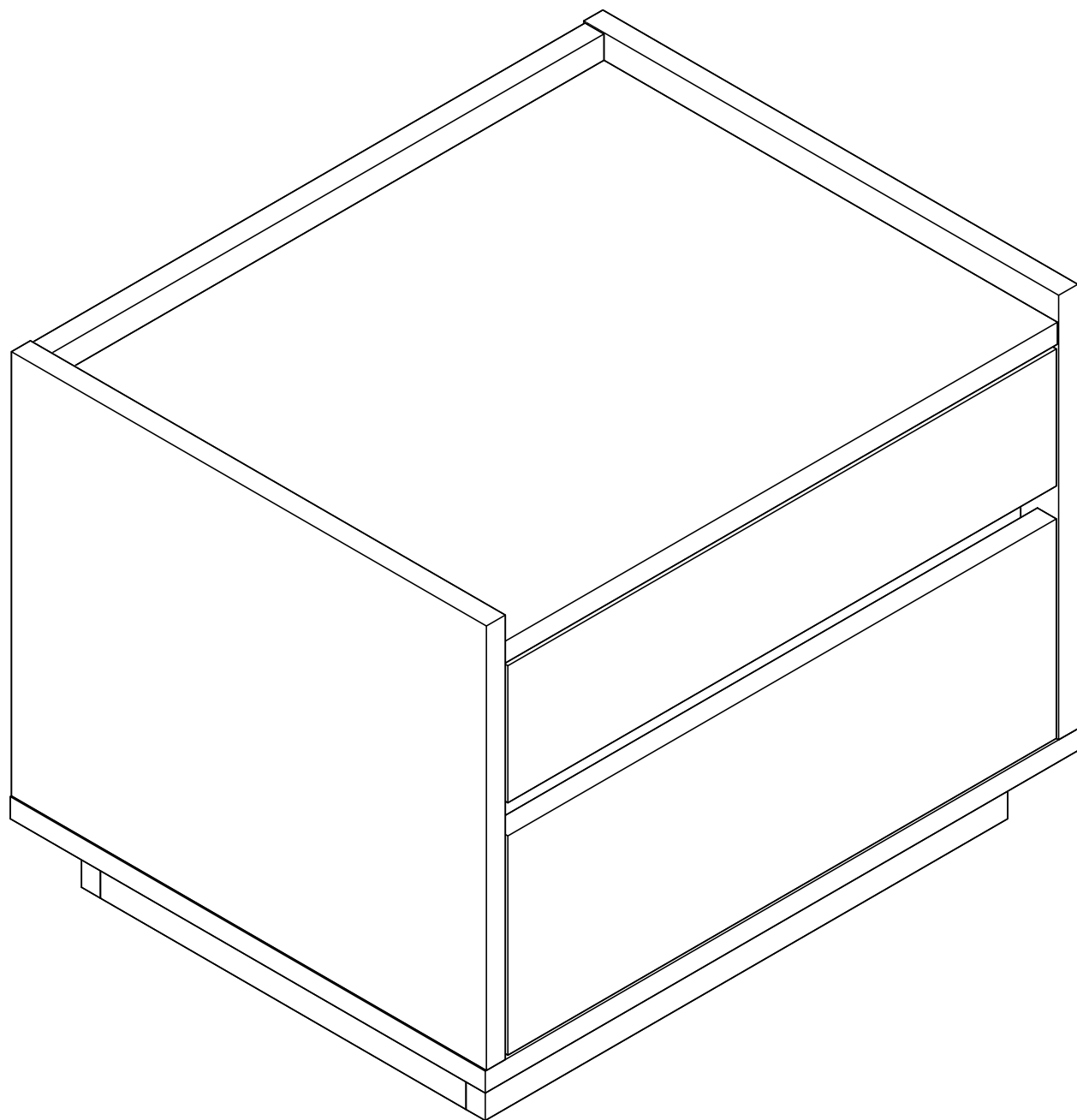
STEP 11



STEP 12



STEP13



FINISH