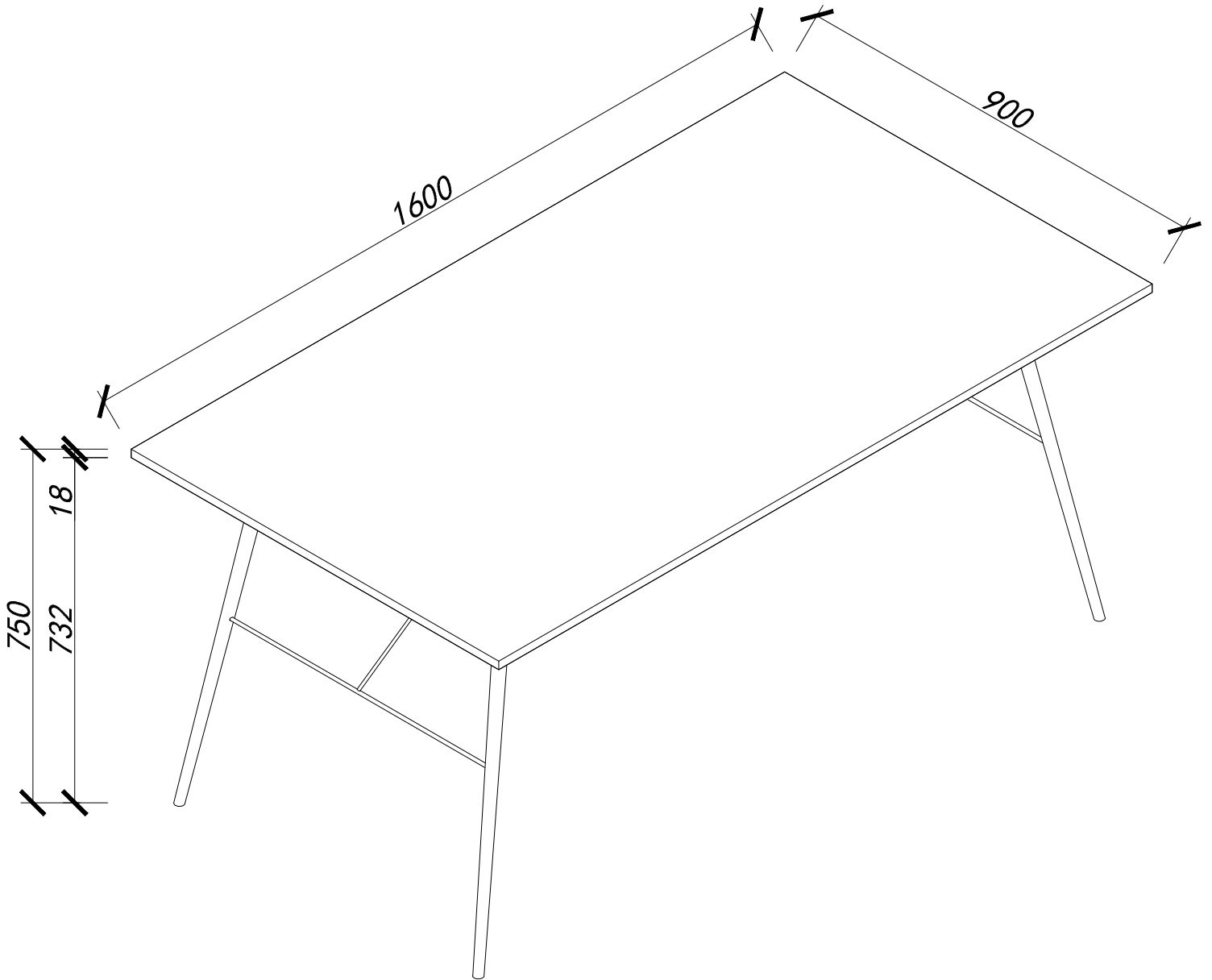
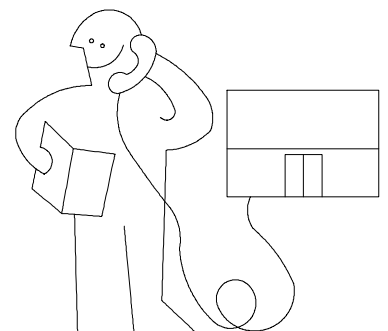
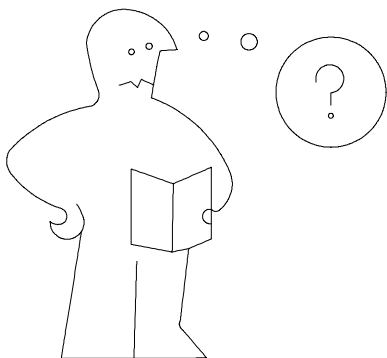
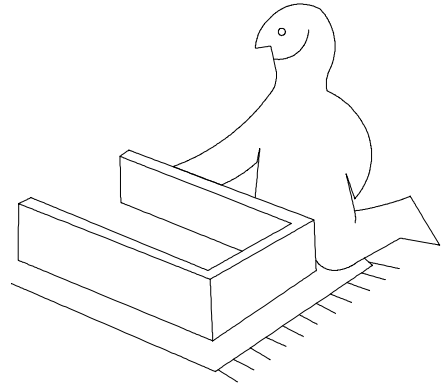
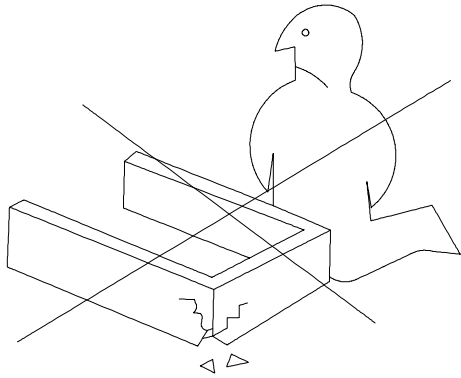
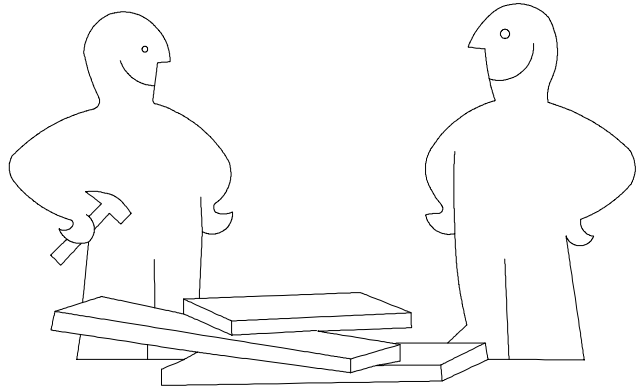
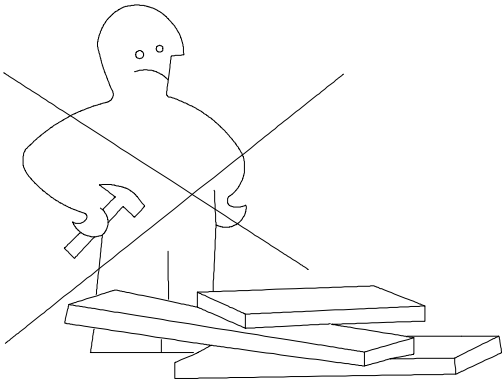
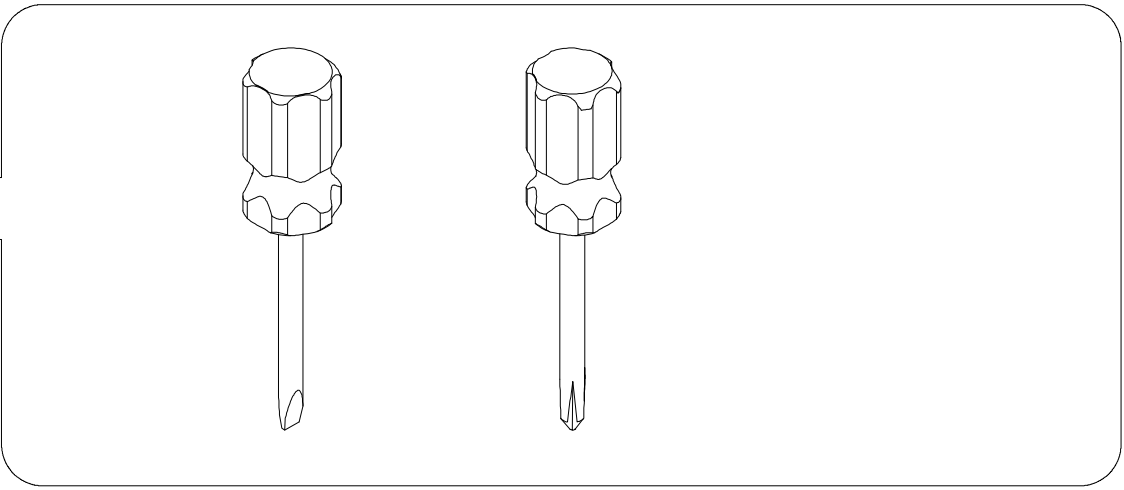
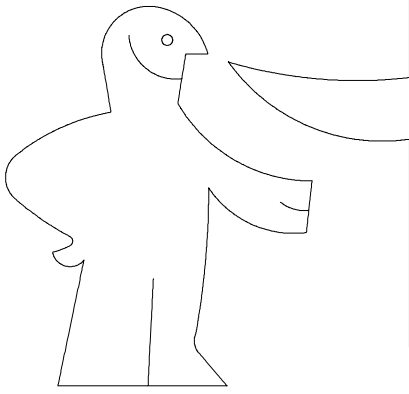
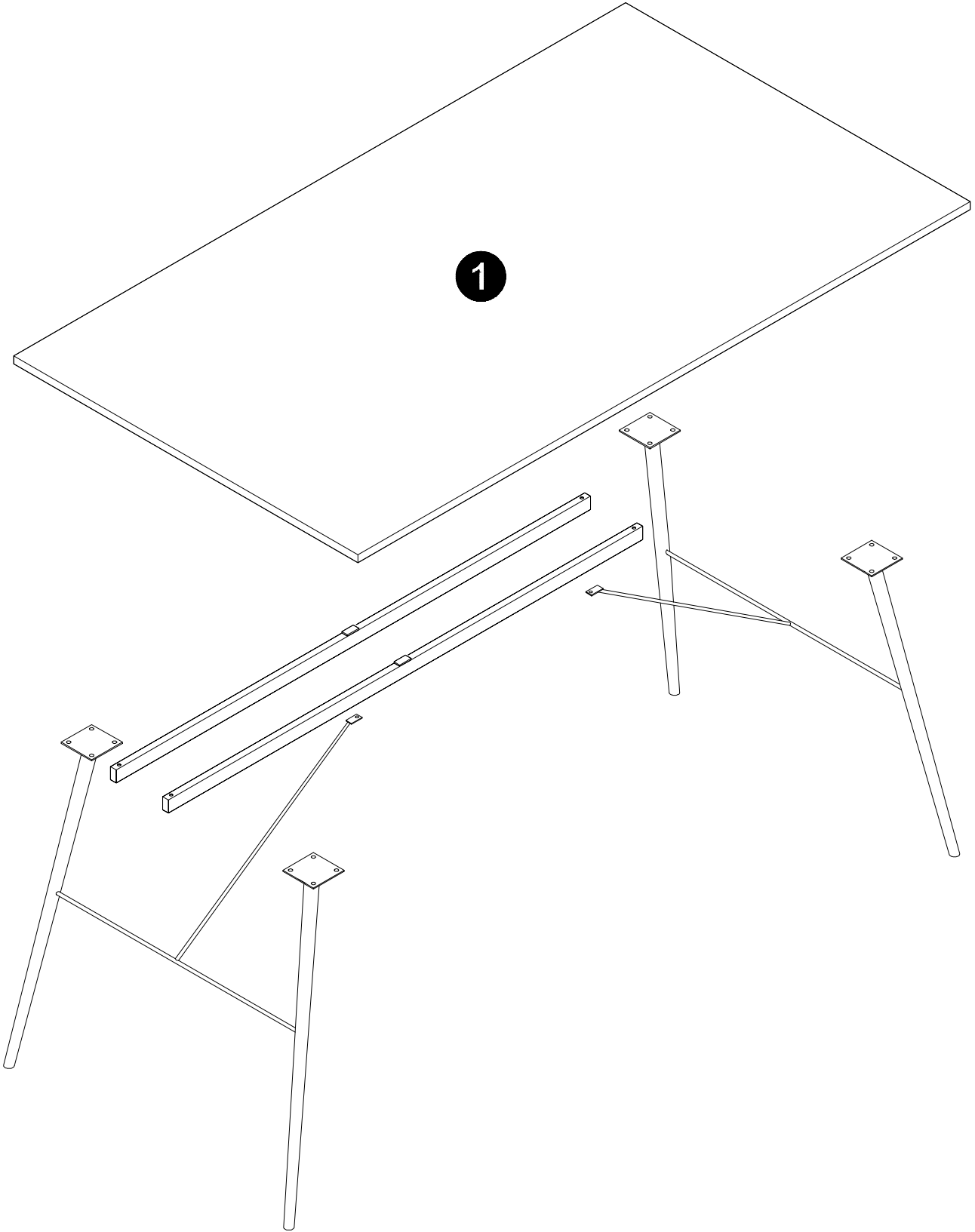


# Assembly Instruction





Panel No	Panel Sizes	Quantity
1	1600*900*18	1



# Fittings



M6\*16

G1=14



M6\*45

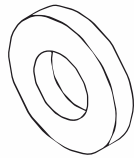
G2=4



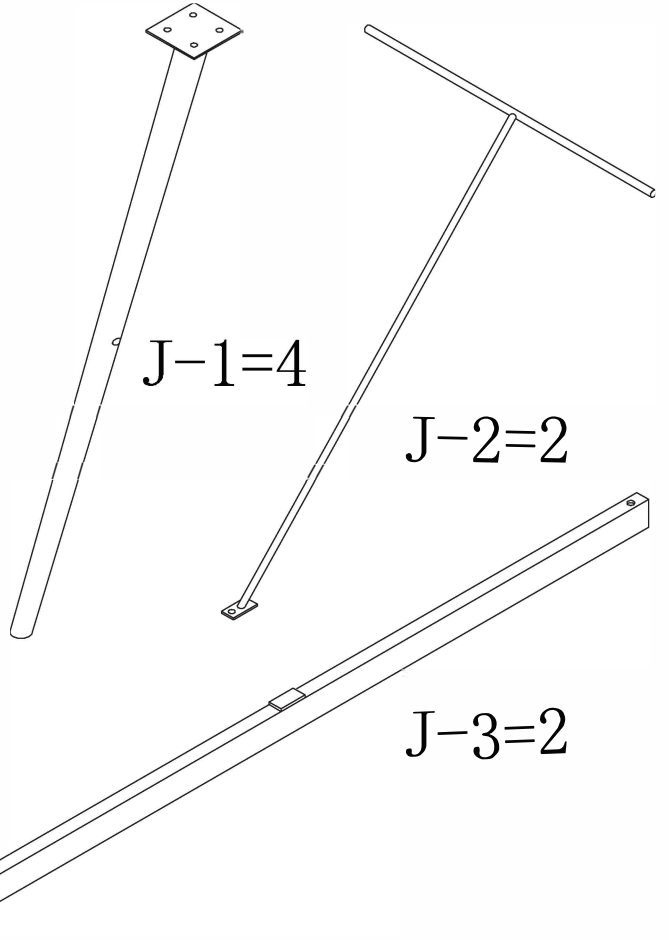
H=1



Z1=14



Z2=14



J-1=4

J-2=2

J-3=2

1

