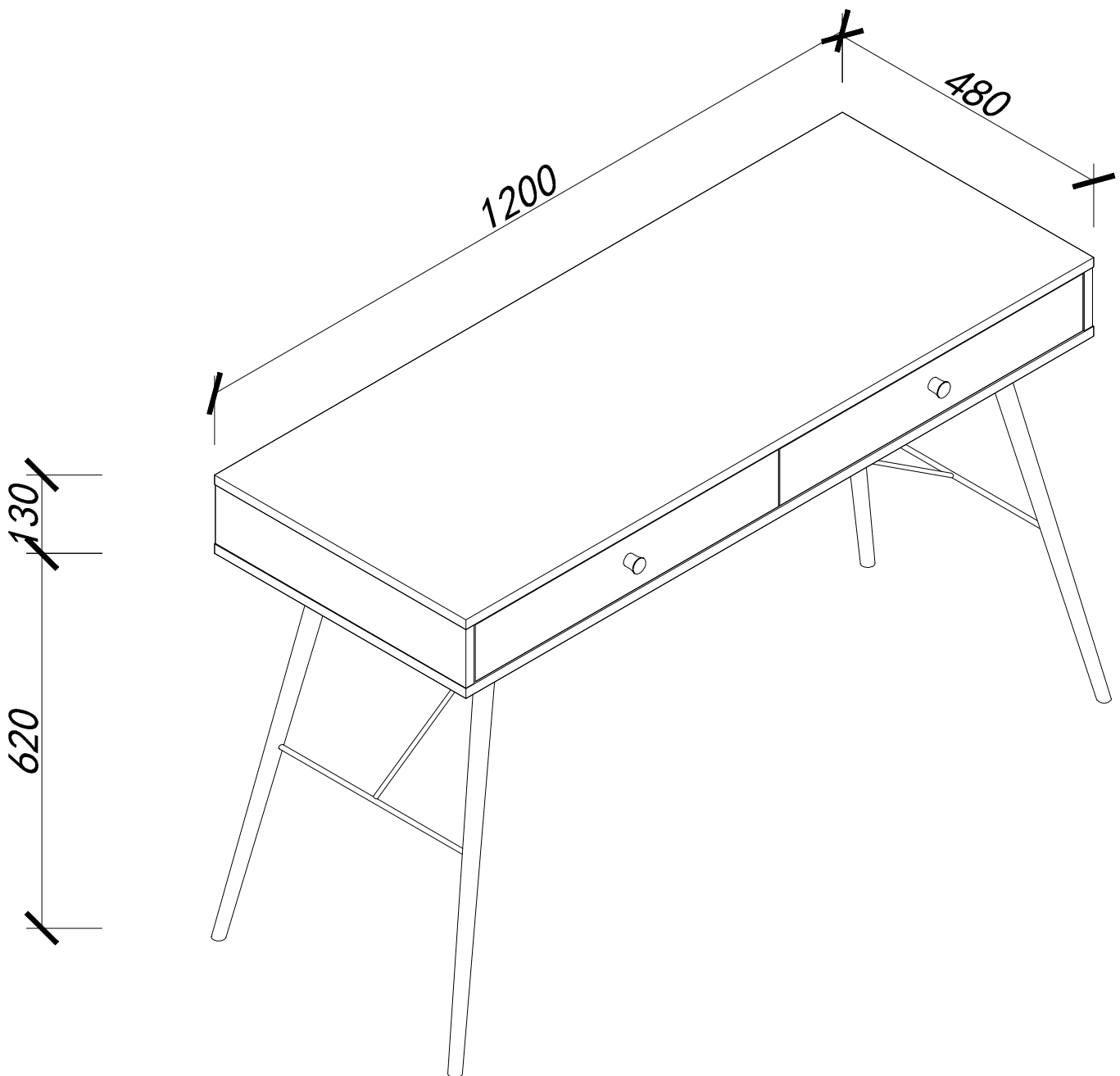
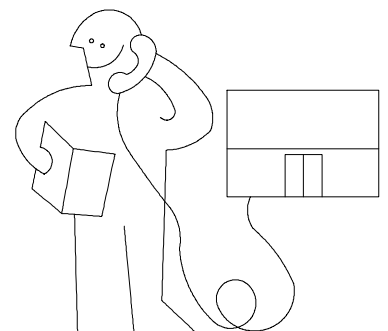
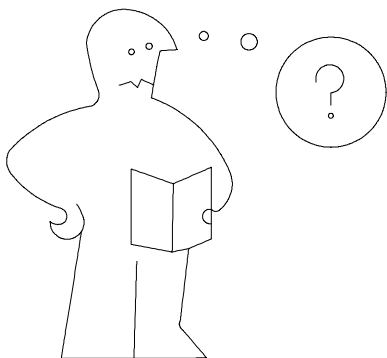
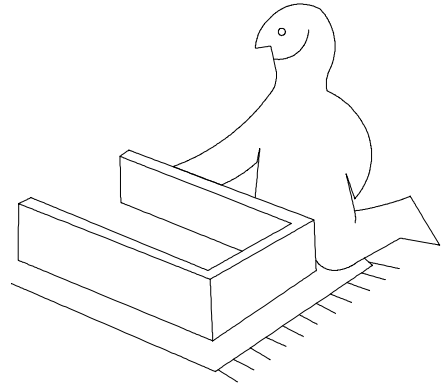
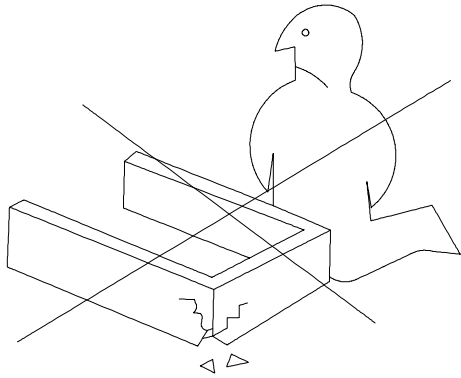
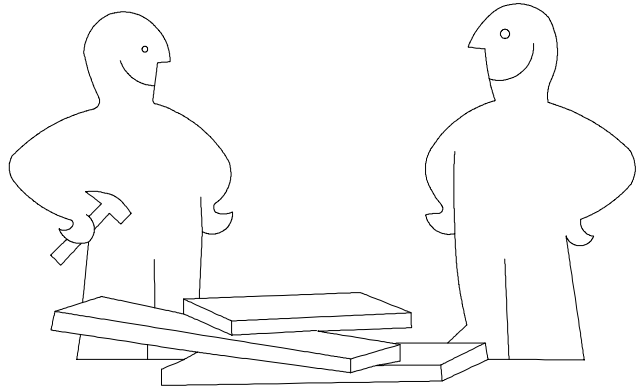
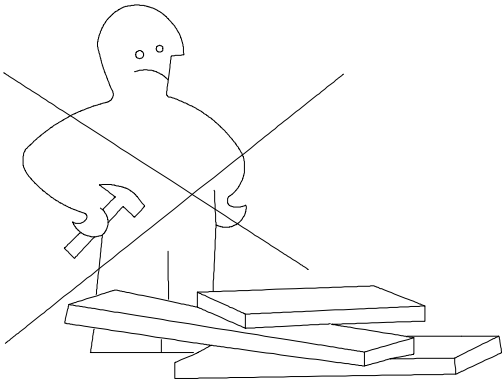
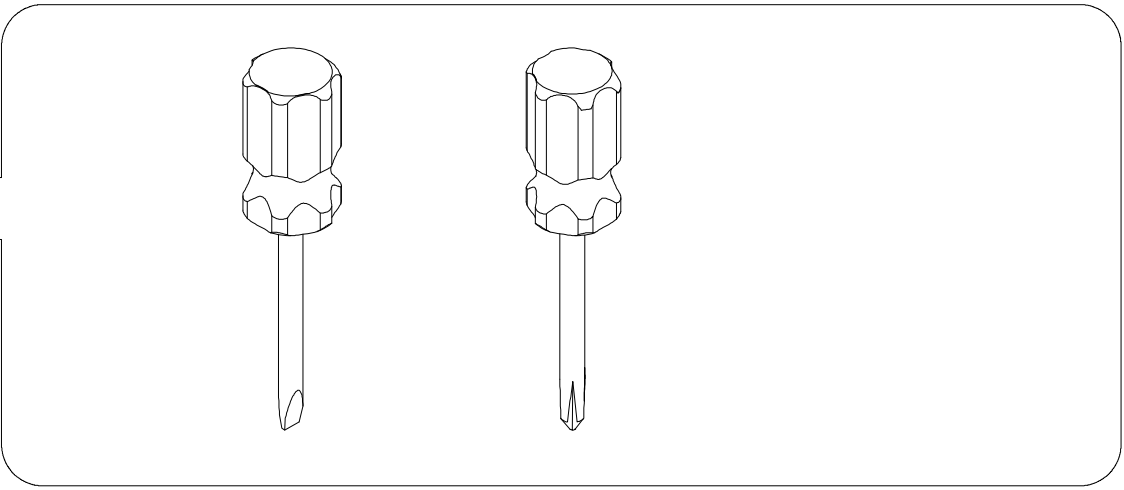
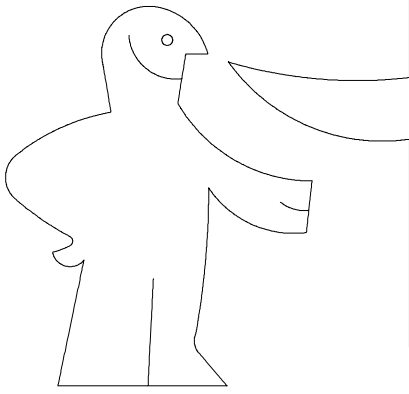


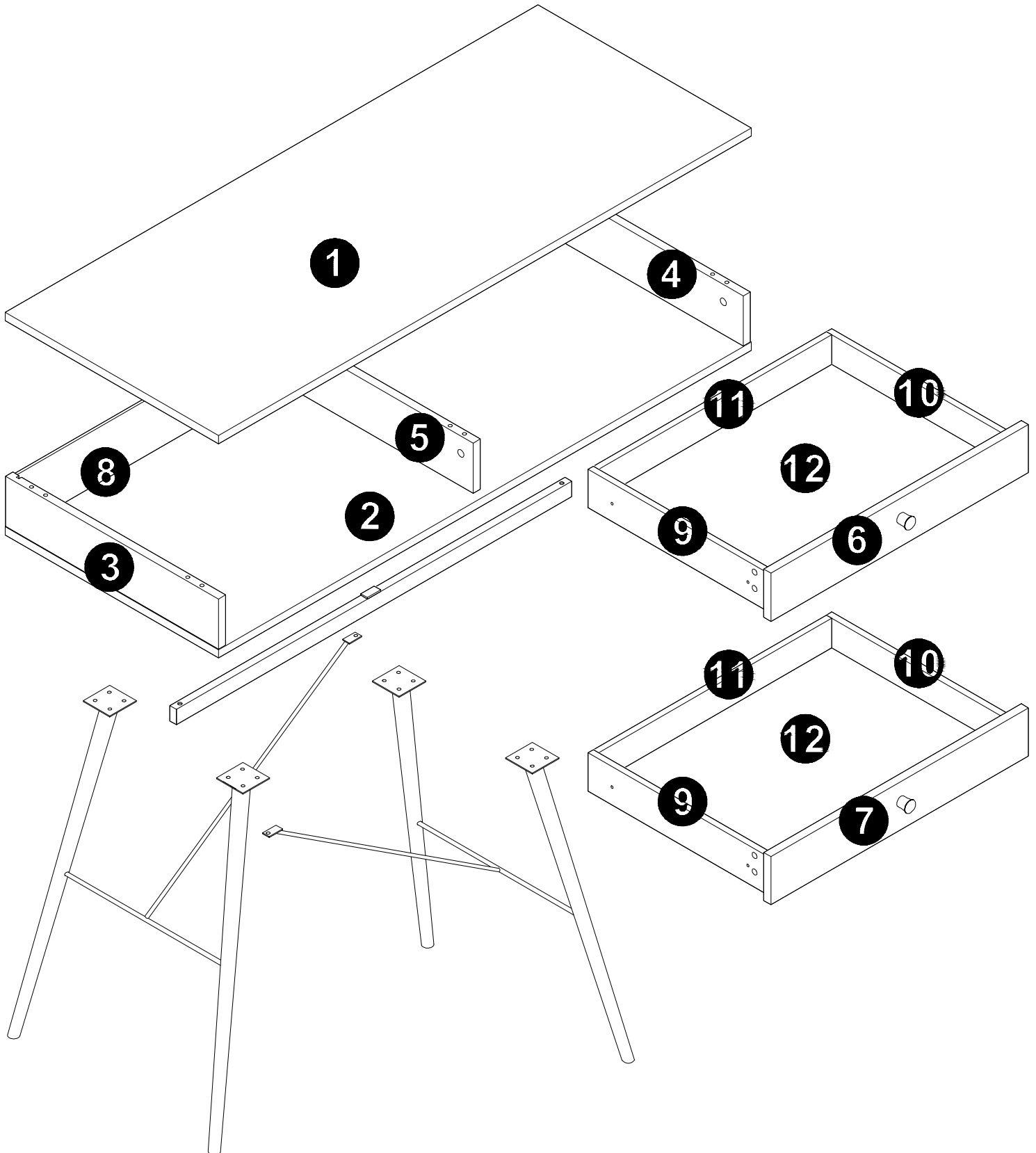
Assembly Instruction



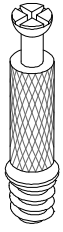


Panel No	Panel Sizes	Quantity
1	1200*480*16	1
2	1200*480*16	1
3	98*479*16	1
4	98*479*16	1
5	98*442*16	1
6	580*94*16	1

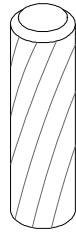
Panel No	Panel Sizes	Quantity
7	580*94*16	1
8	1176*108*5	1
9	400*75*12	2
10	400*75*12	2
11	525*75*12	2
12	398*535*5	2



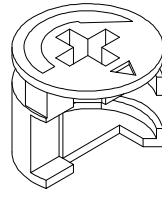
Fittings



A=6



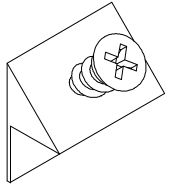
B=12



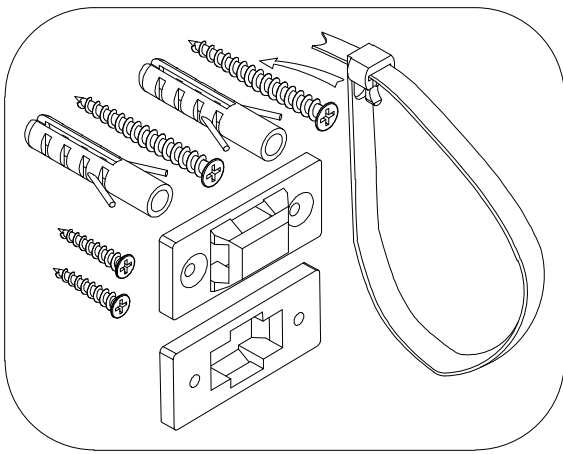
C=6



D=28



E=6

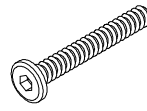


F=1



M6*16

G1=16

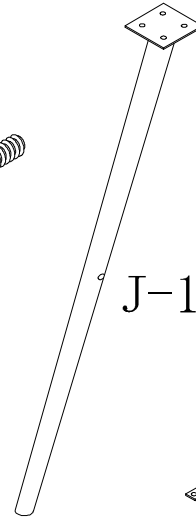


M6*45

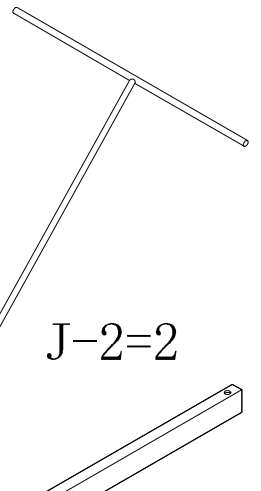
G2=2



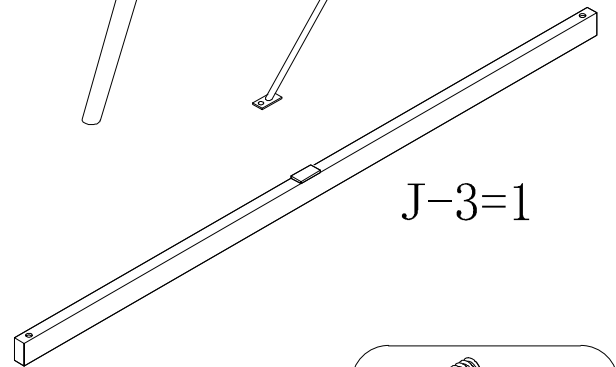
H=1



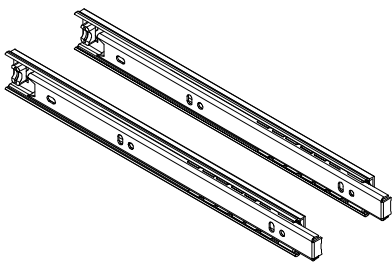
J-1=4



J-2=2



J-3=1



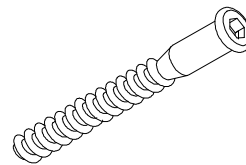
N=2



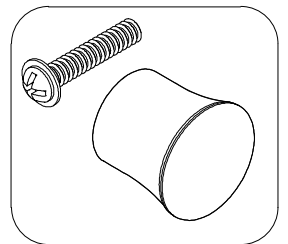
O=16



P=16



Q=6



U=2

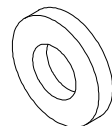


M3.5*12

V1=16

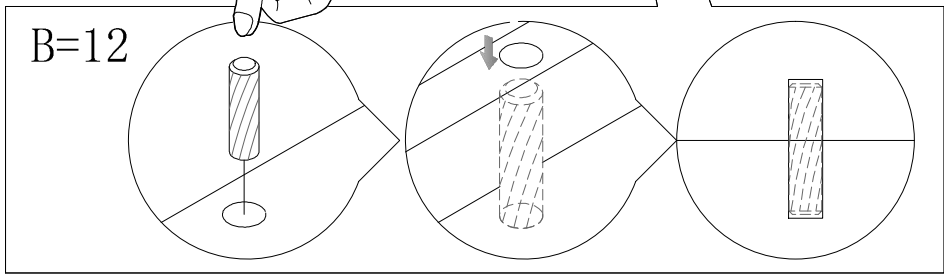
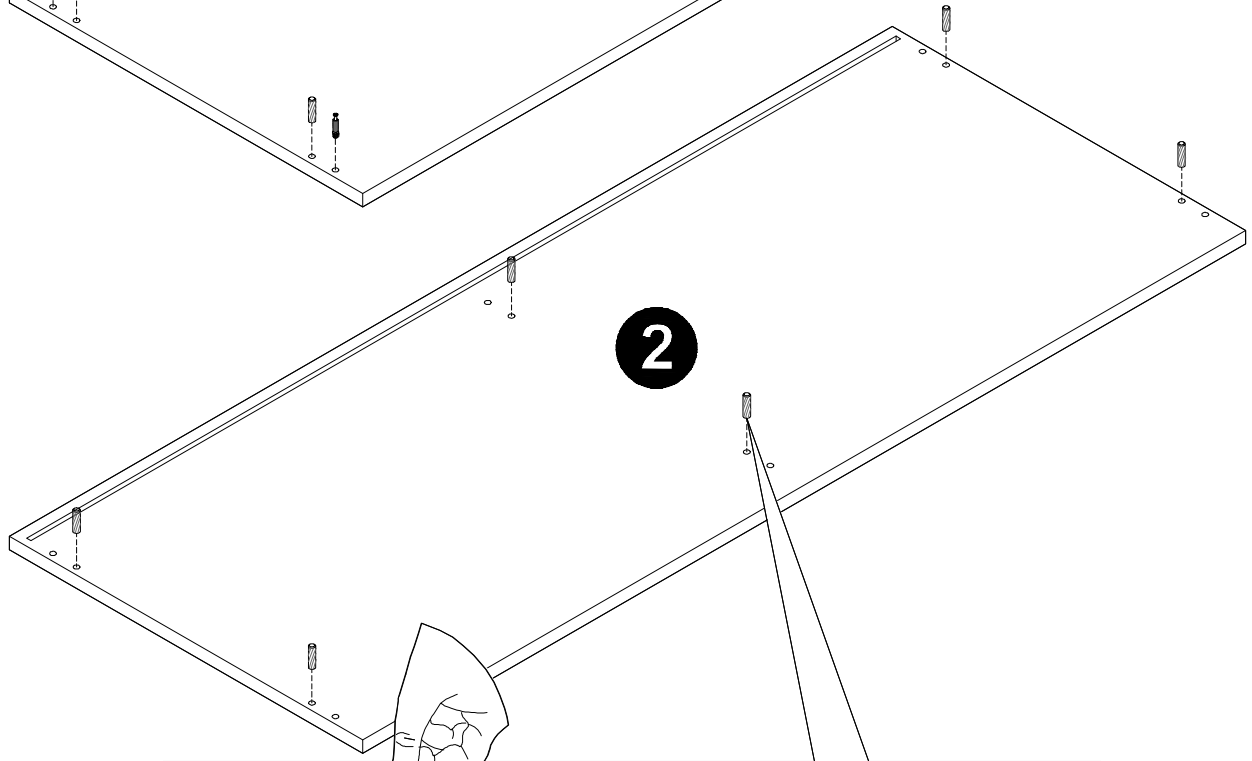
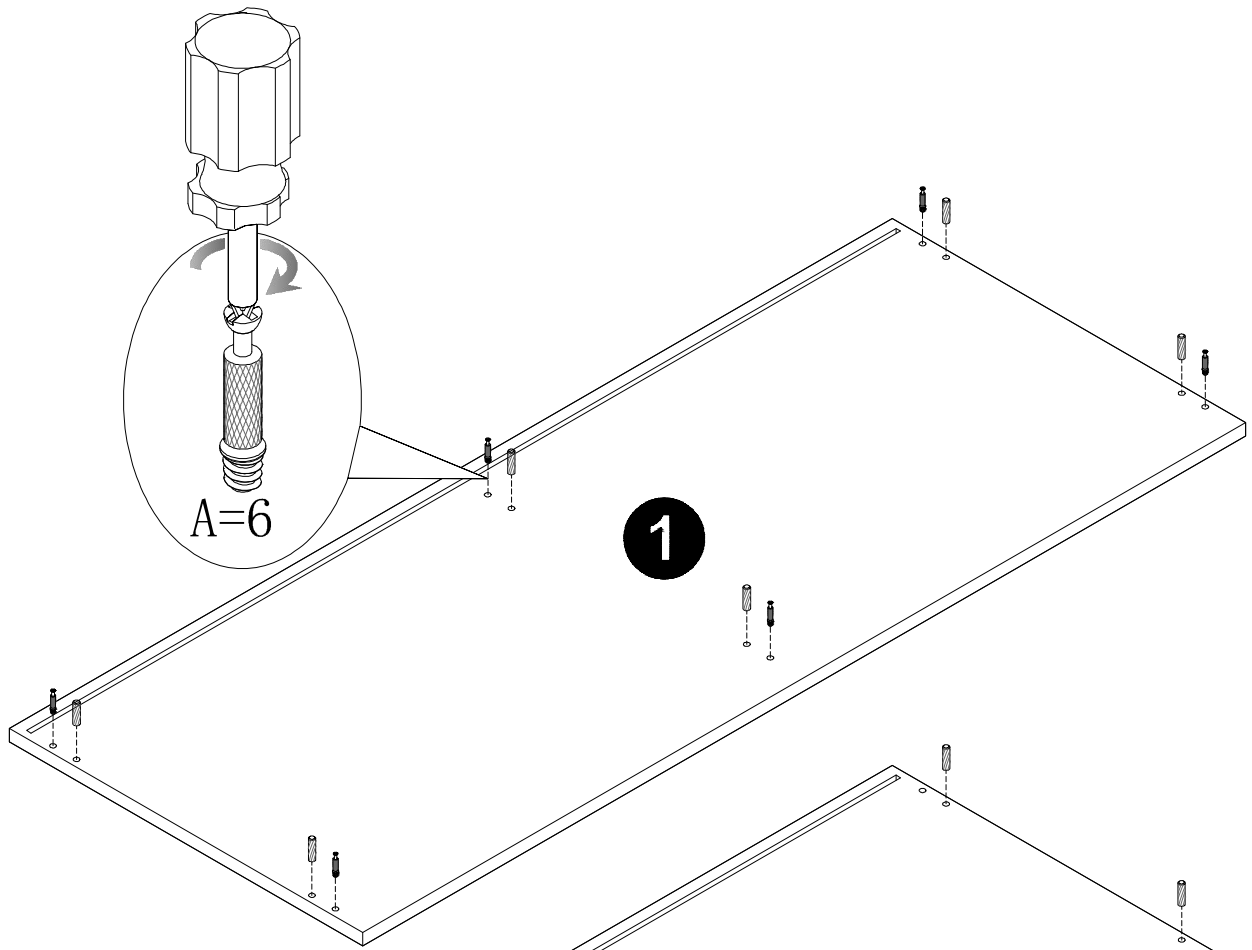


Z1=16

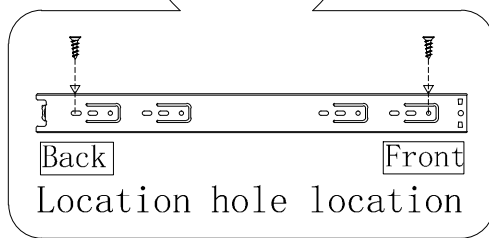
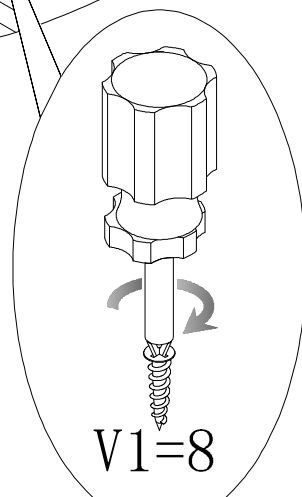
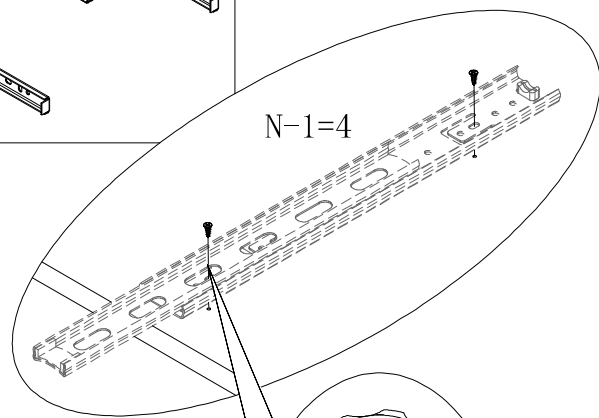
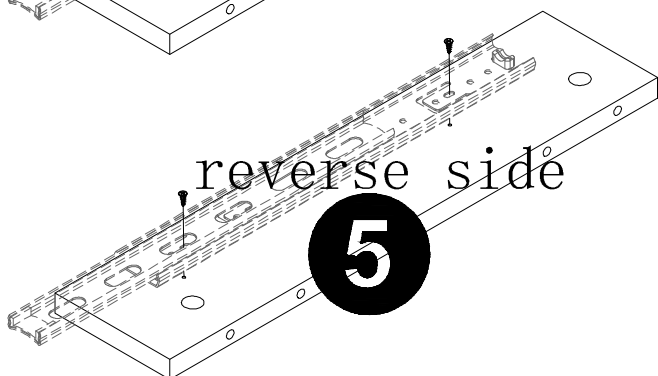
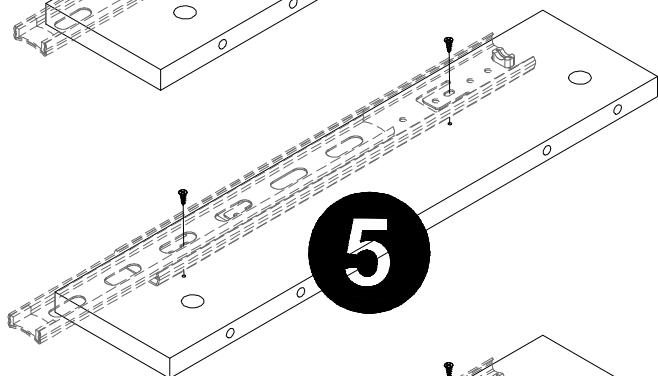
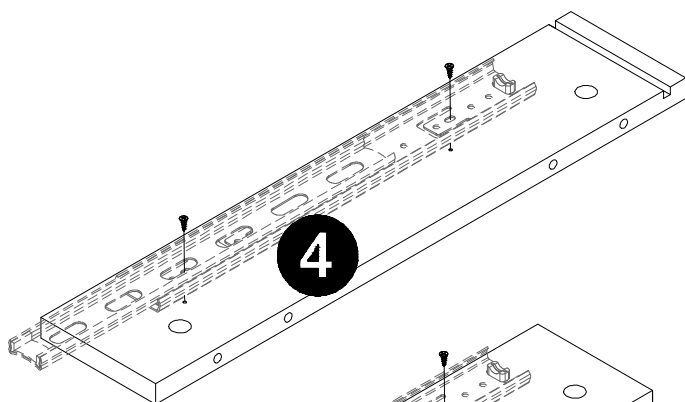
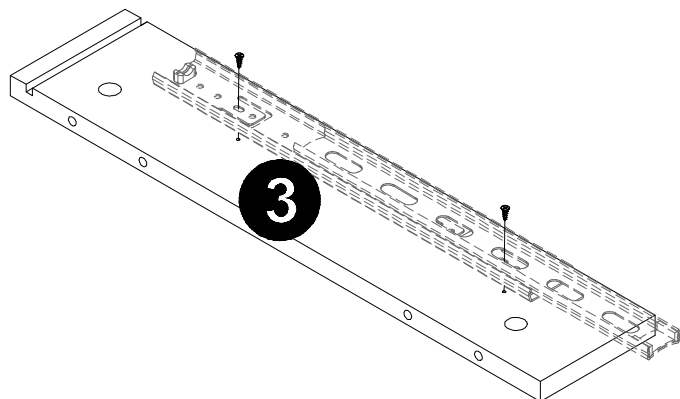
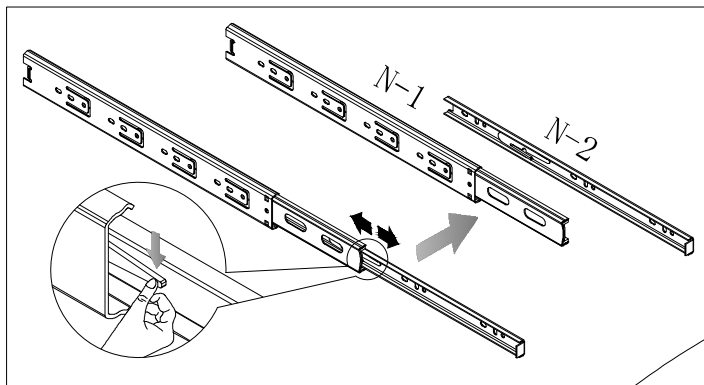


Z2=16

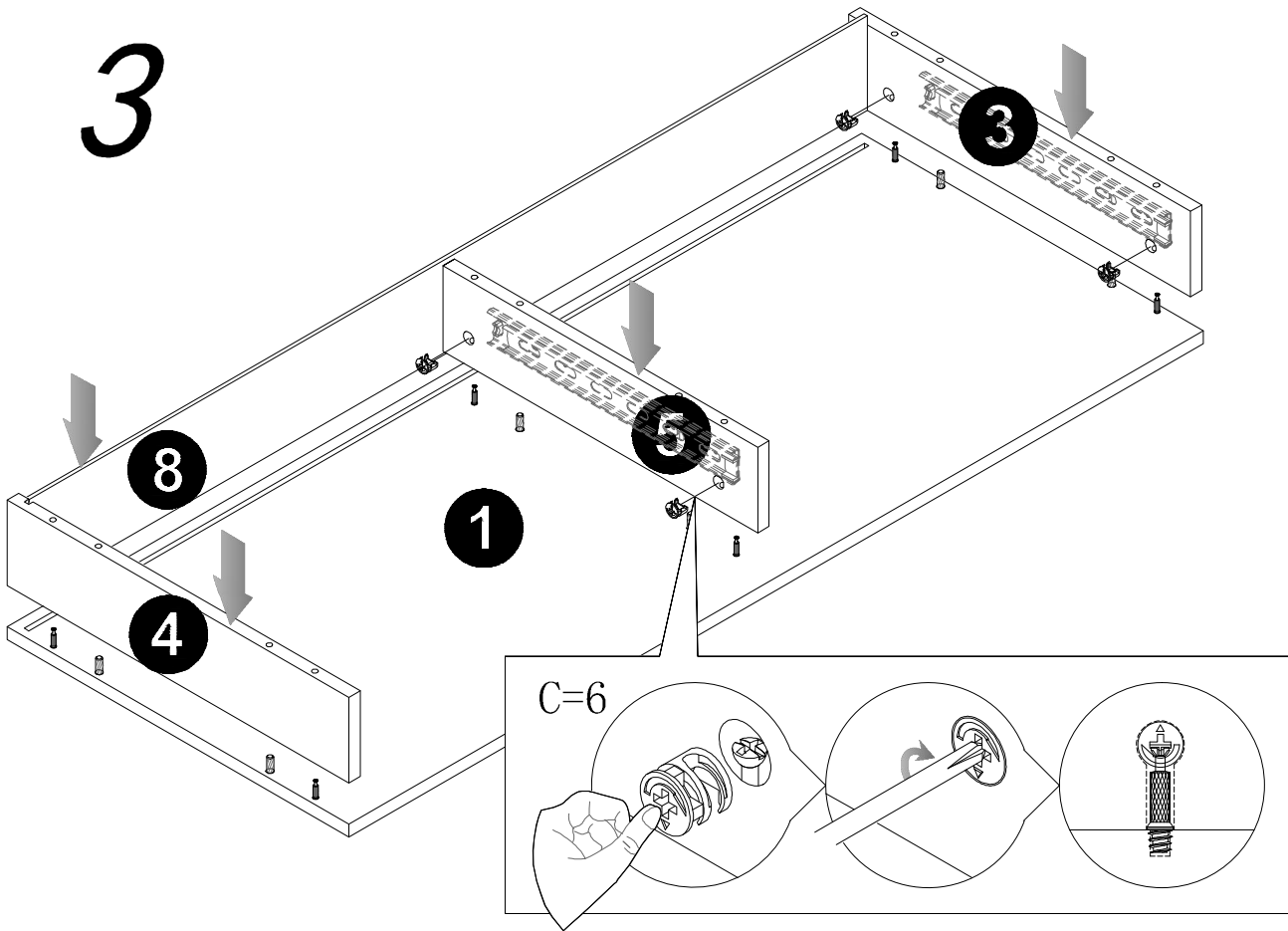
1



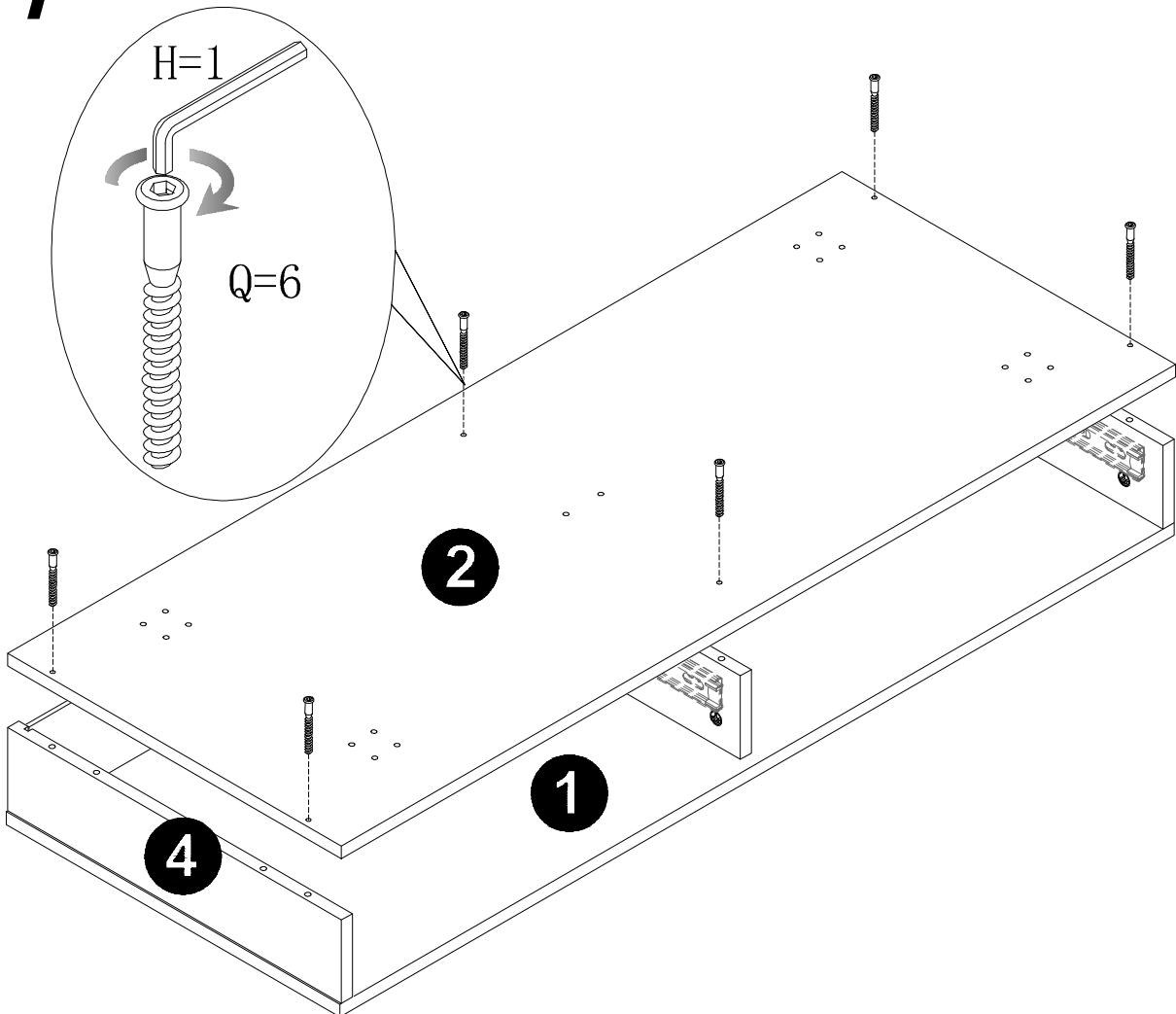
2



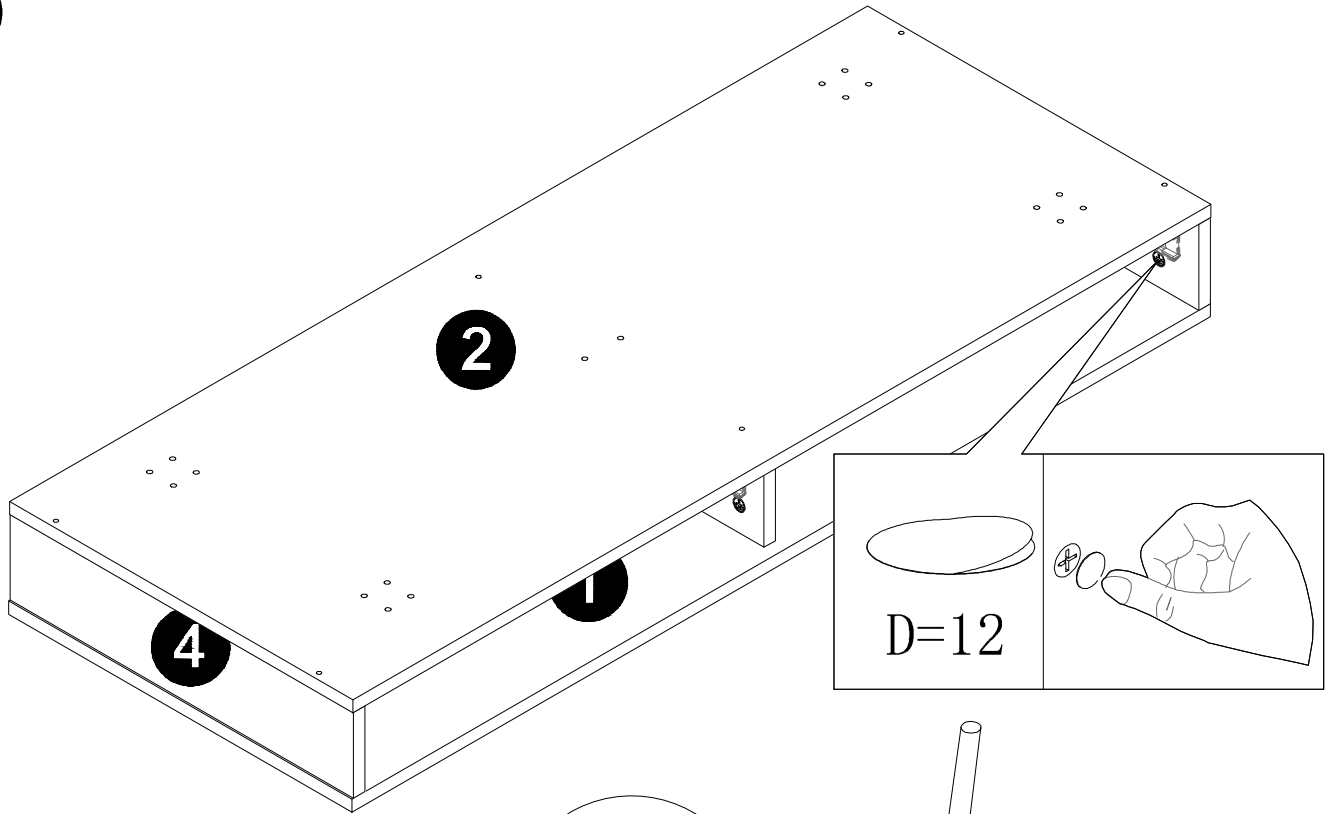
3



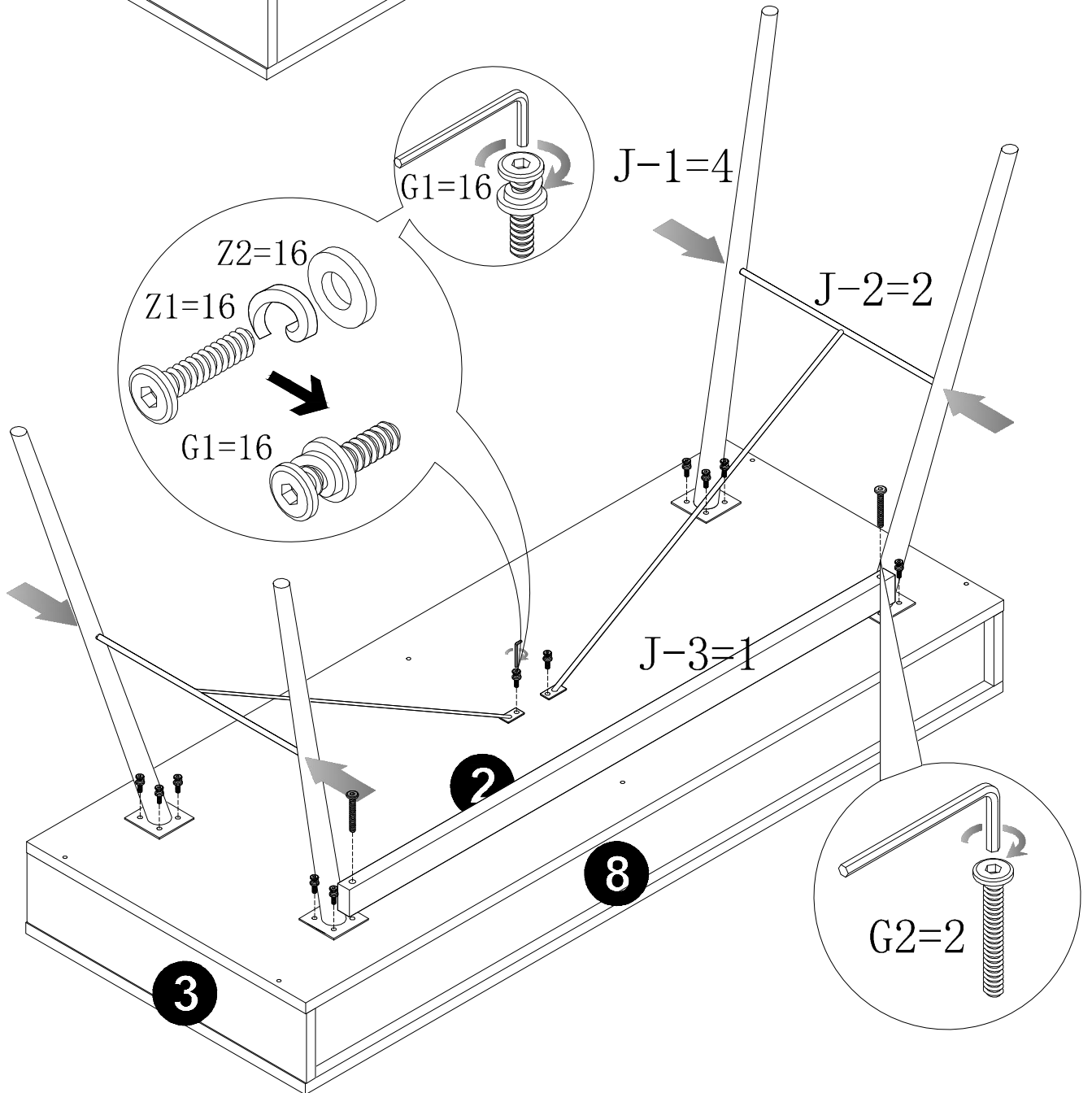
4



5

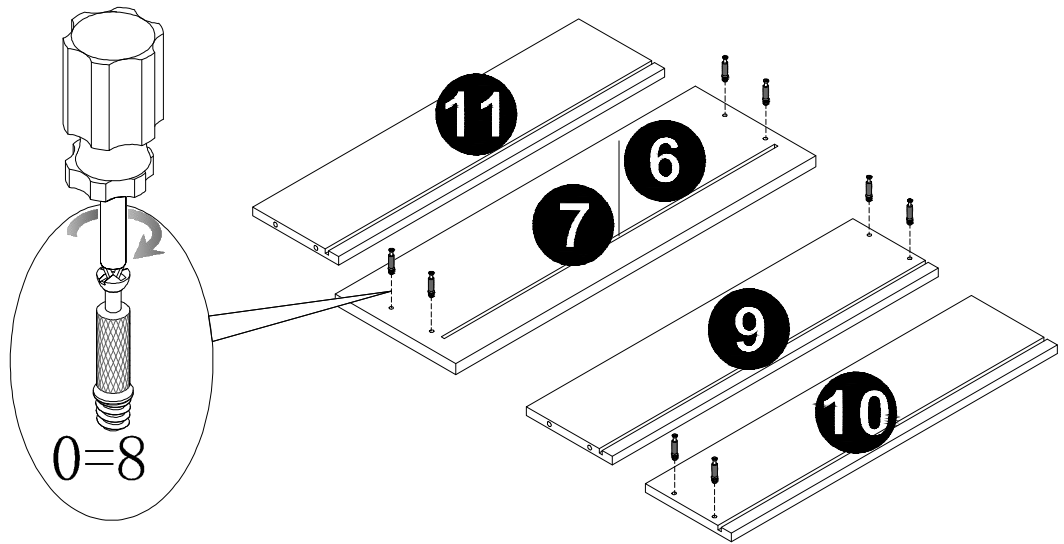


6

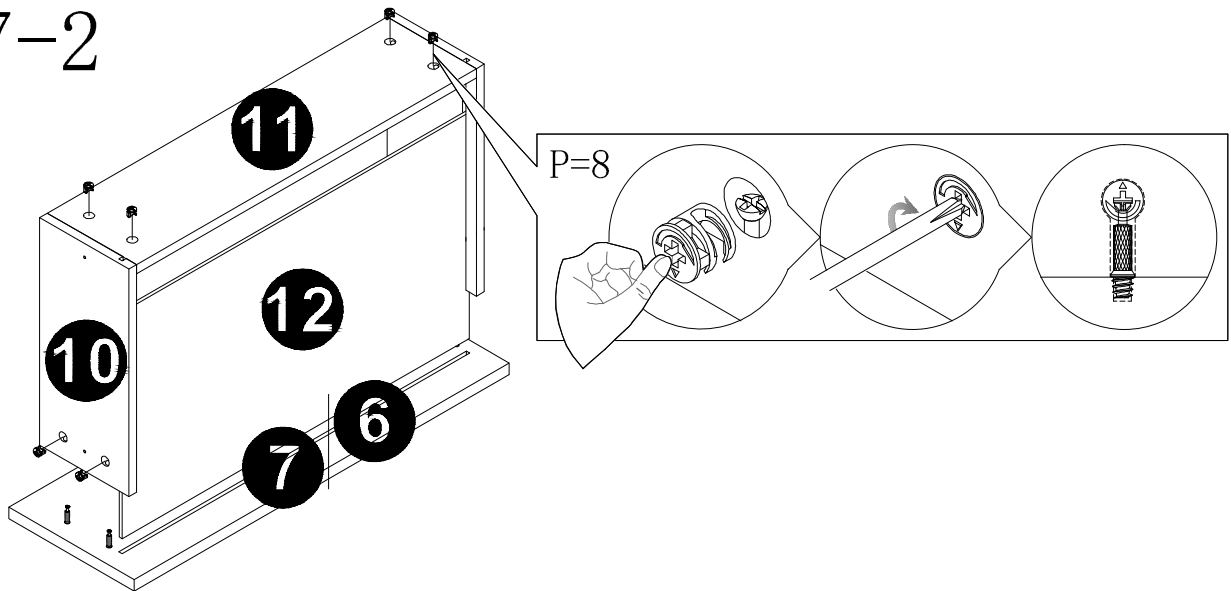


7

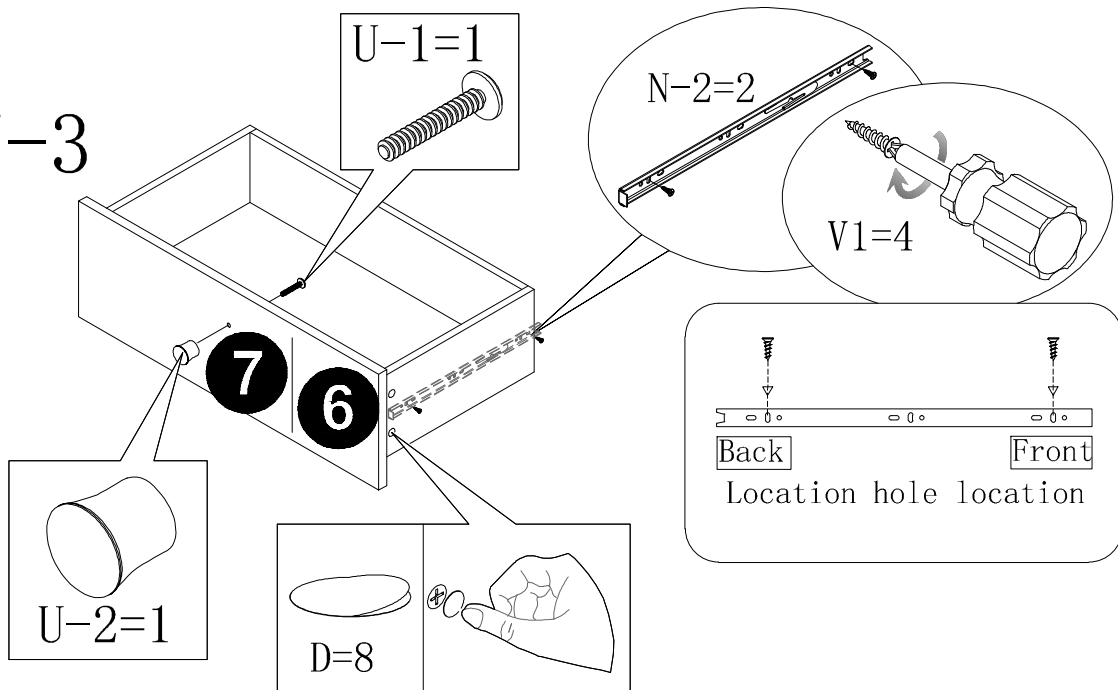
7-1



7-2

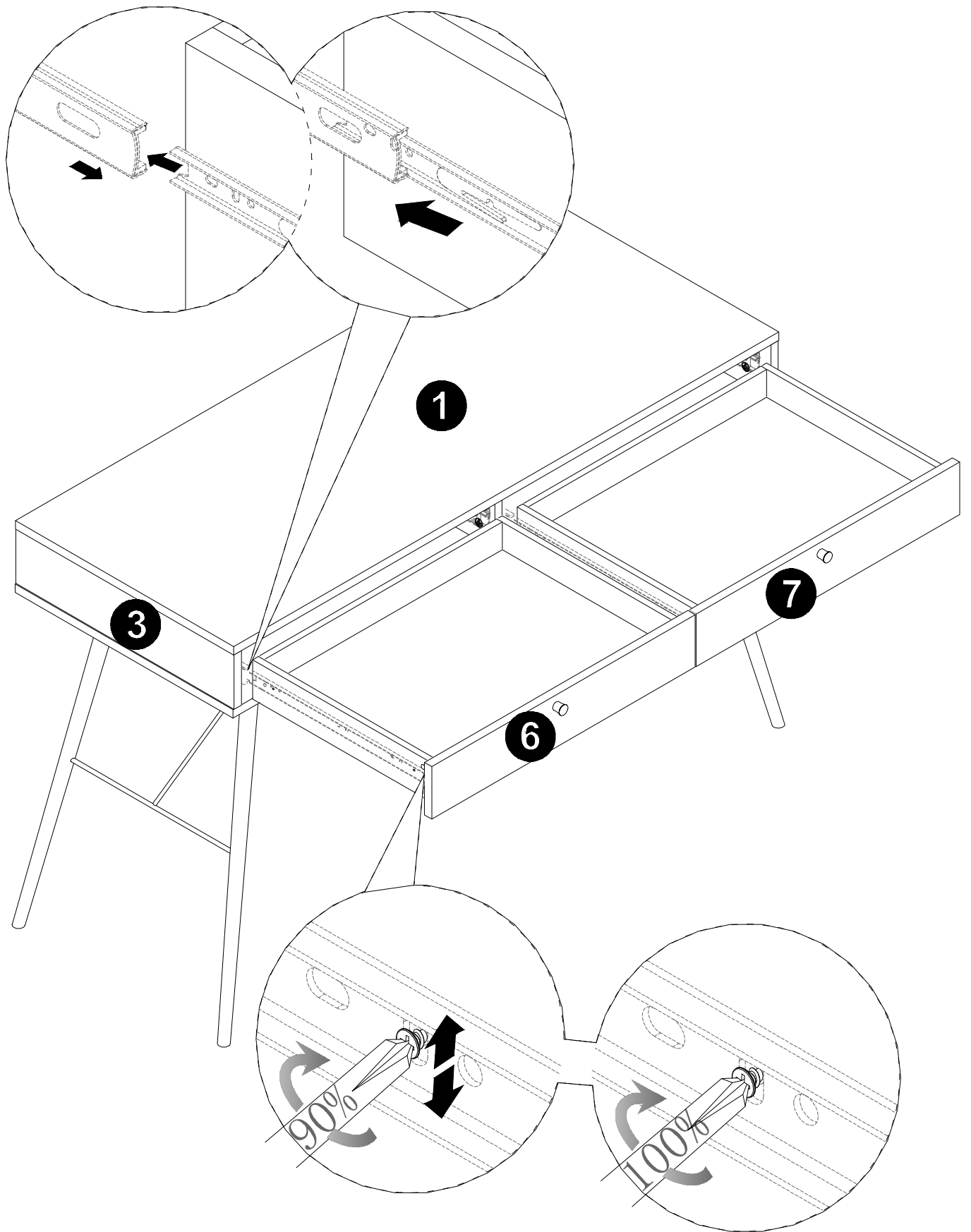


7-3

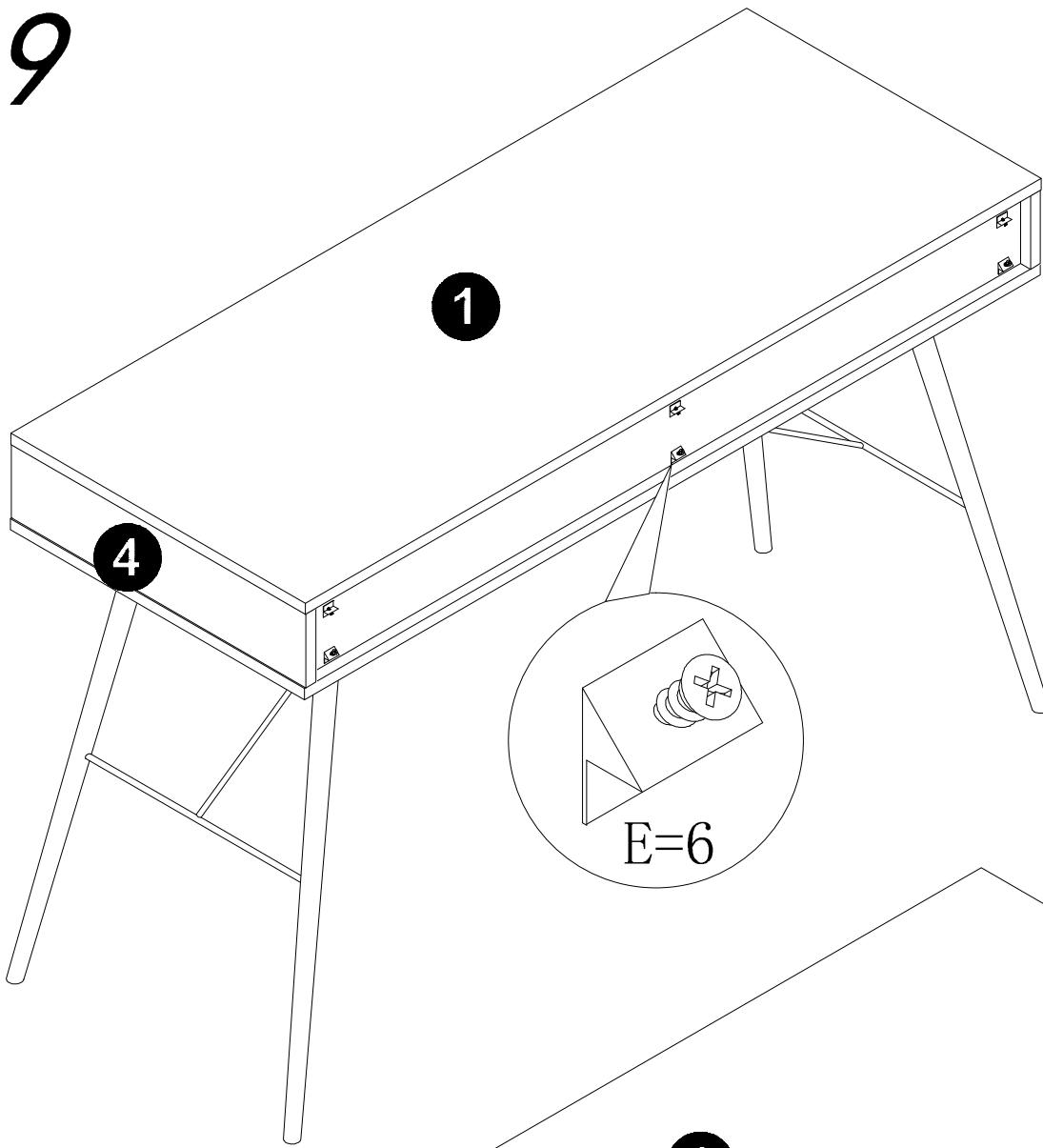


X2

8



9



10

