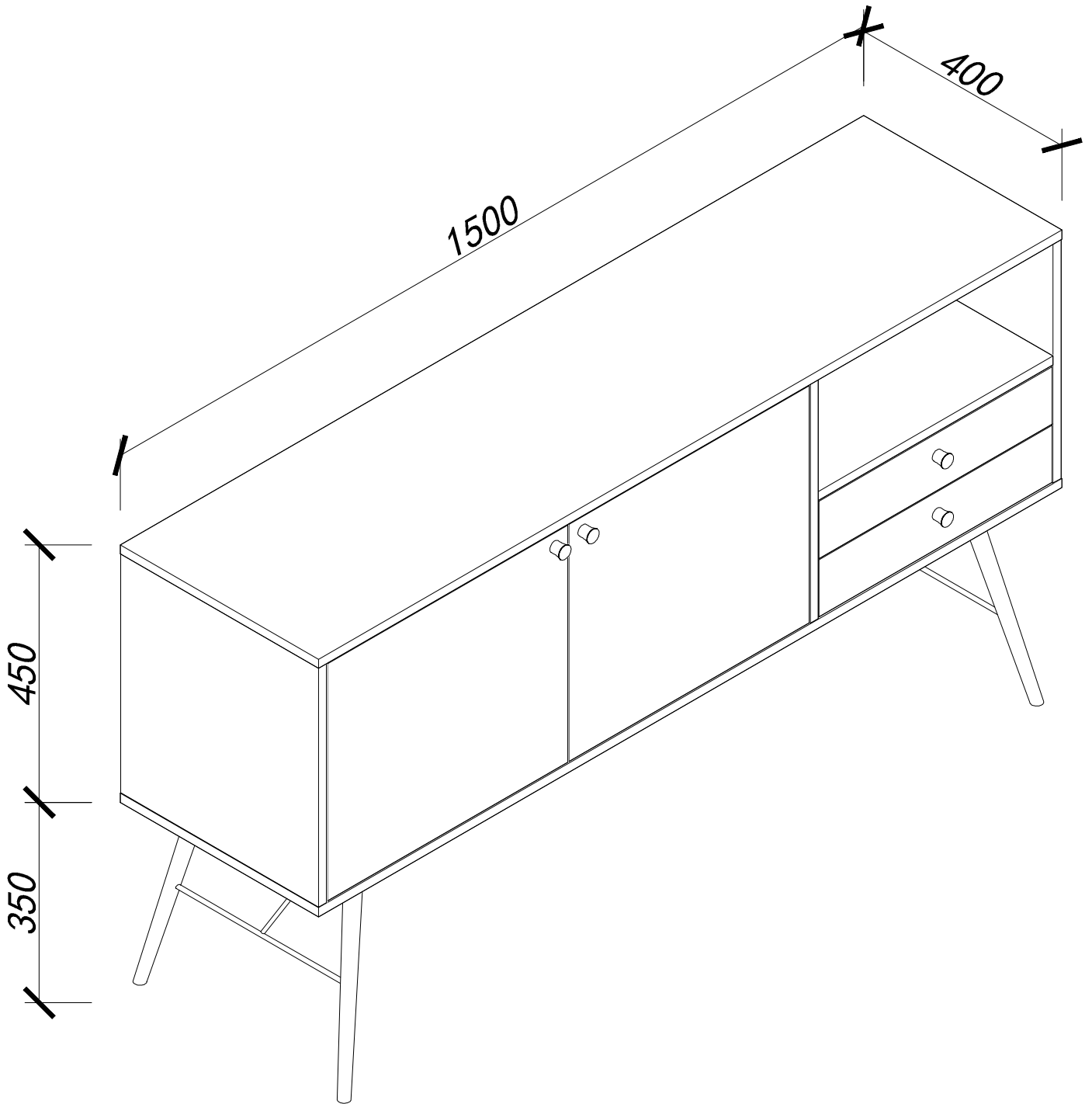
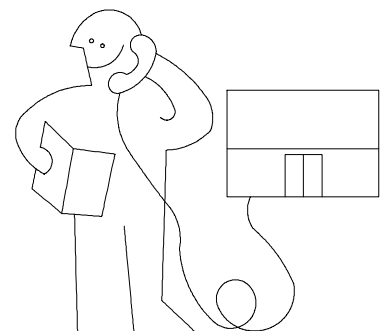
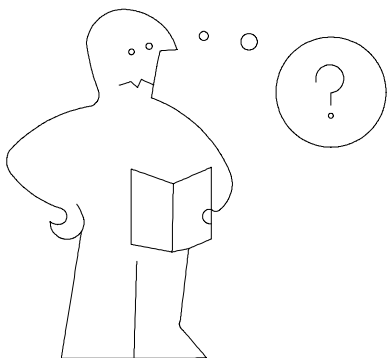
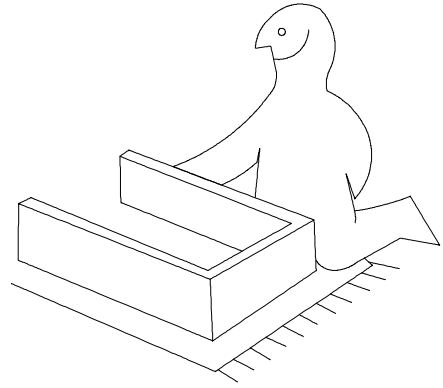
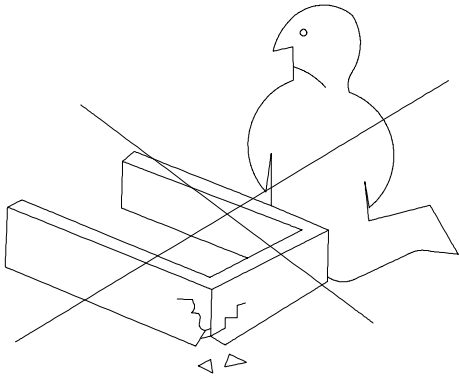
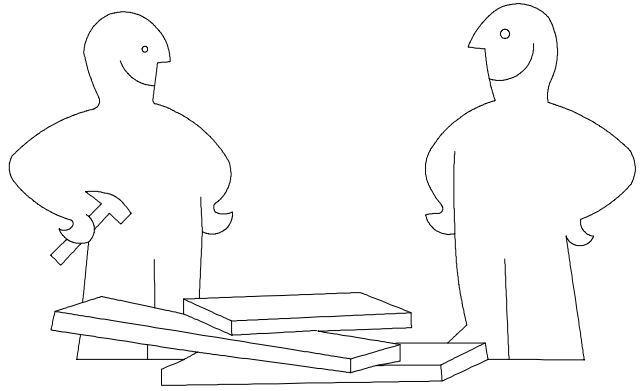
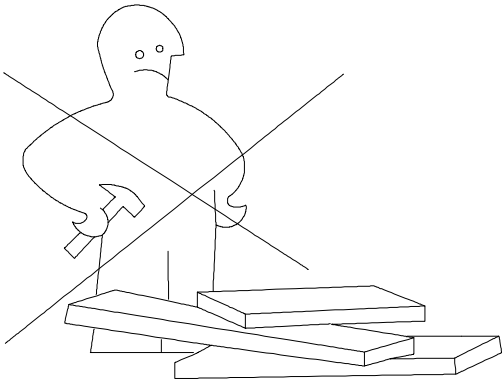
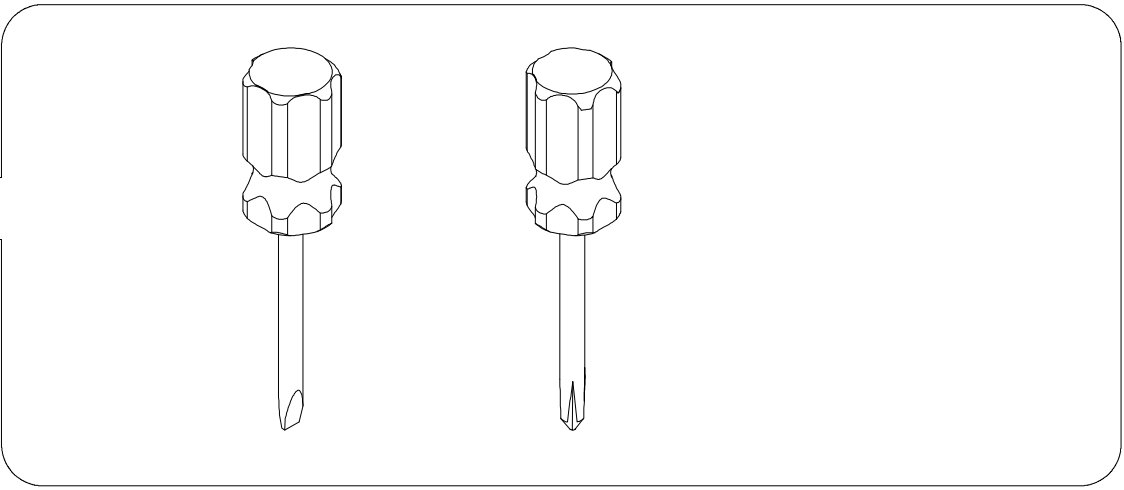
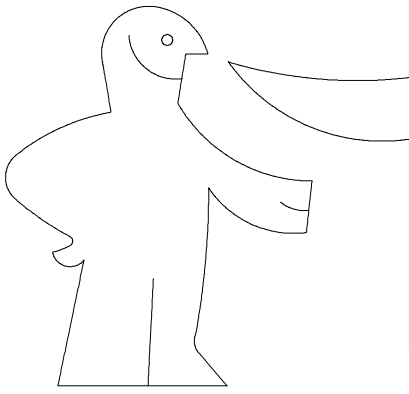


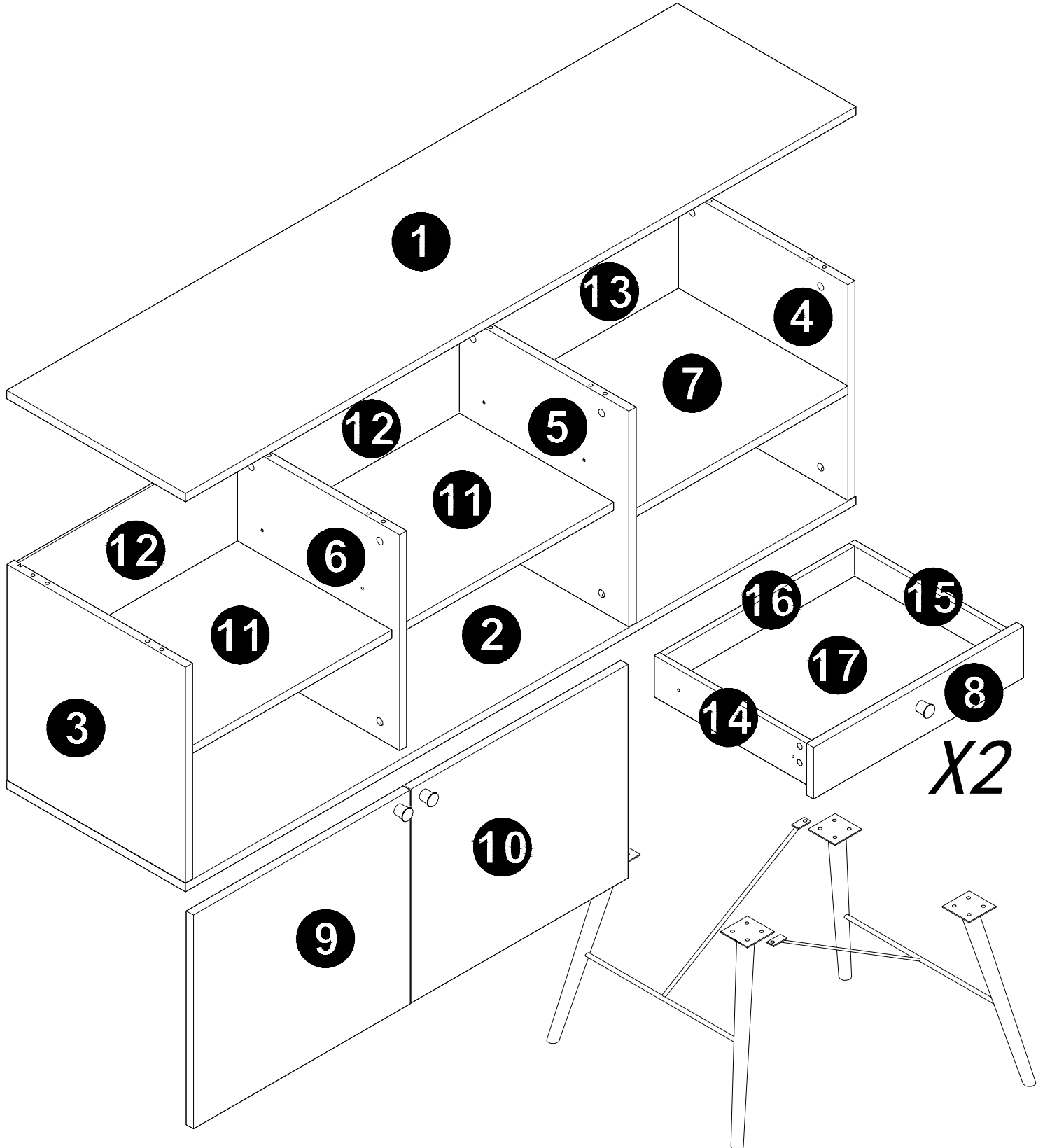
# Assembly Instruction



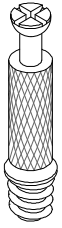


Panel No	Panel Sizes	Quantity
1	1500*400*16	1
2	1500*400*16	1
3	418*399*16	1
4	418*399*16	1
5	418*399*16	1
6	418*382*16	1
7	474*379*16	1
8	470*100*16	2
9	414*485*16	1

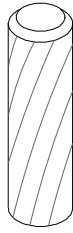
Panel No	Panel Sizes	Quantity
10	414*485*16	1
11	477*345*16	2
12	428*490*5	2
13	428*484*5	1
14	350*80*12	2
15	350*80*12	2
16	424*80*12	2
17	348*434*5	2



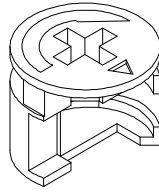
# Fittings



A=20



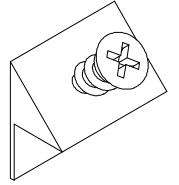
B=20



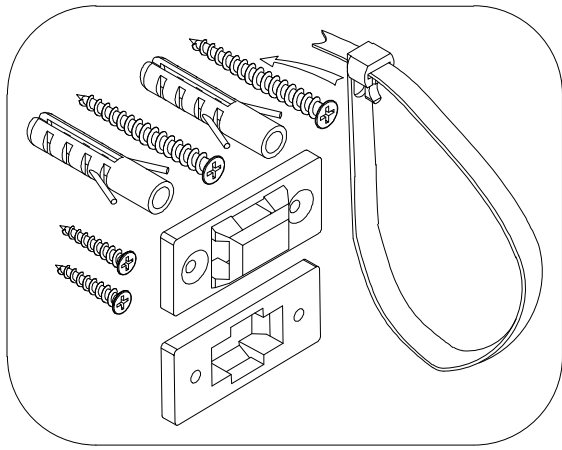
C=20



D=36



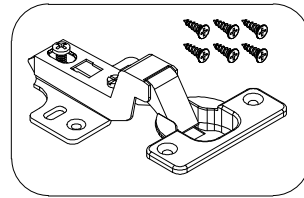
E=12



F=1



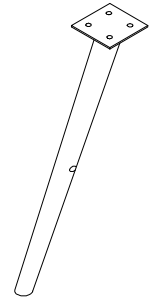
G1=18



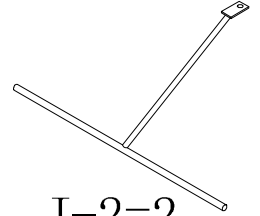
I3=4



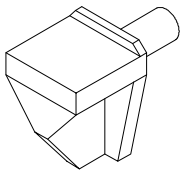
H=1



J-1=4



J-2=2



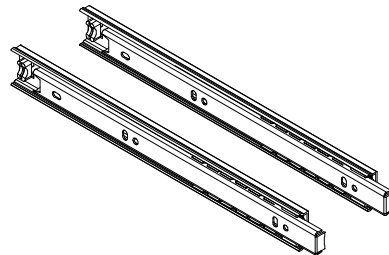
L=8



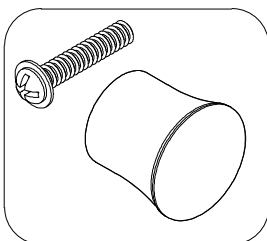
O=16



P=16



N=2



U=4



V1=16

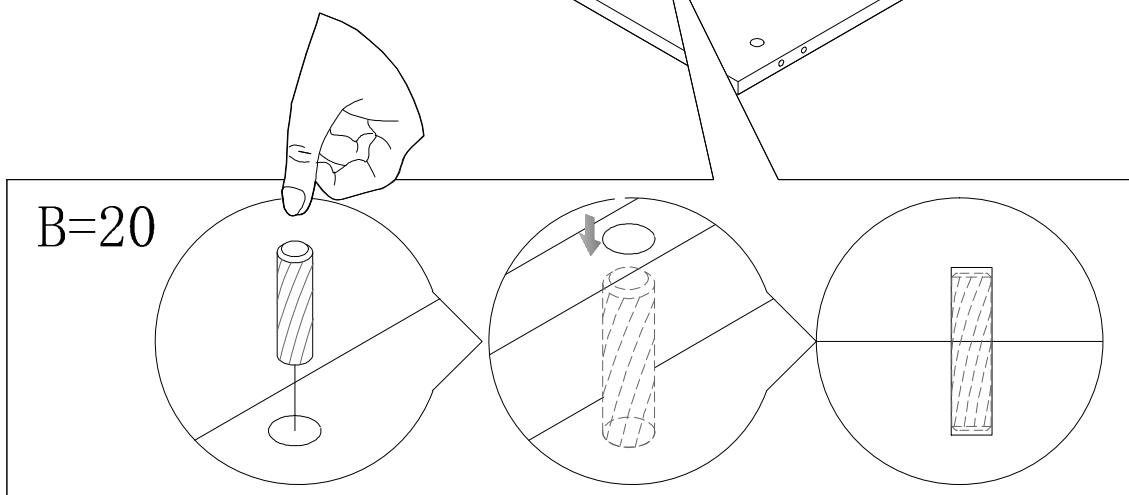
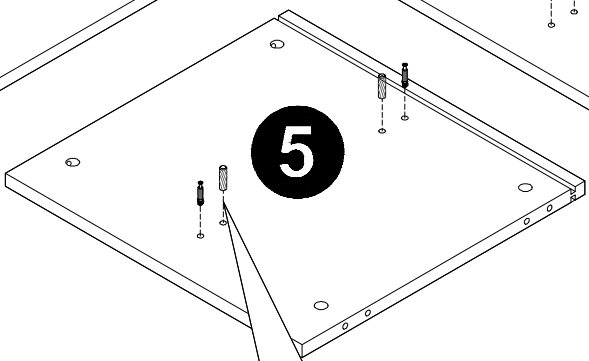
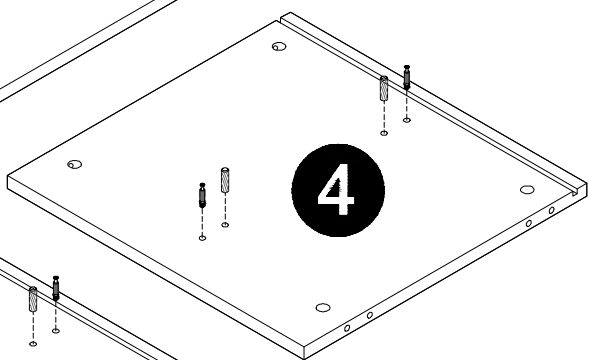
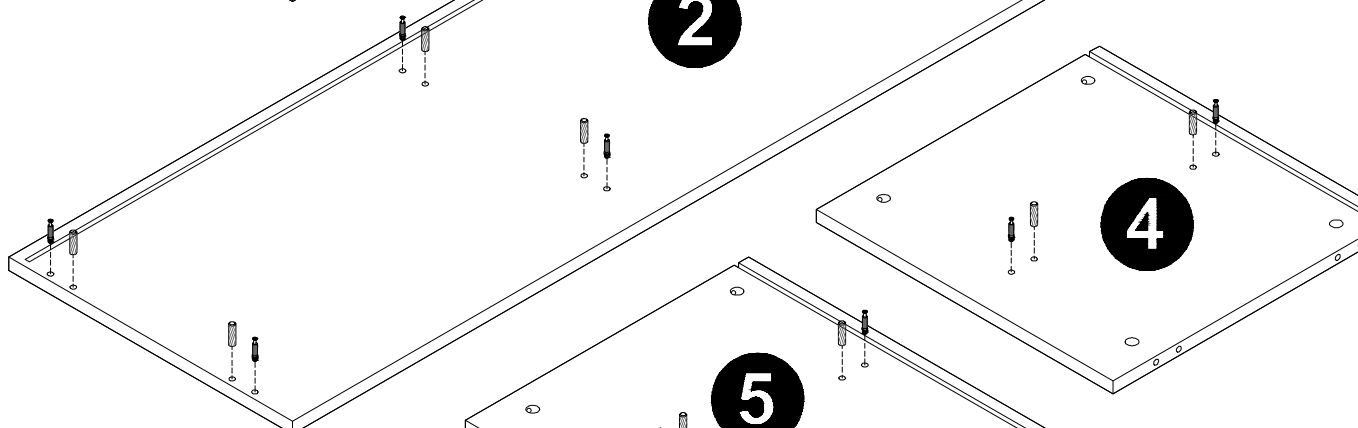
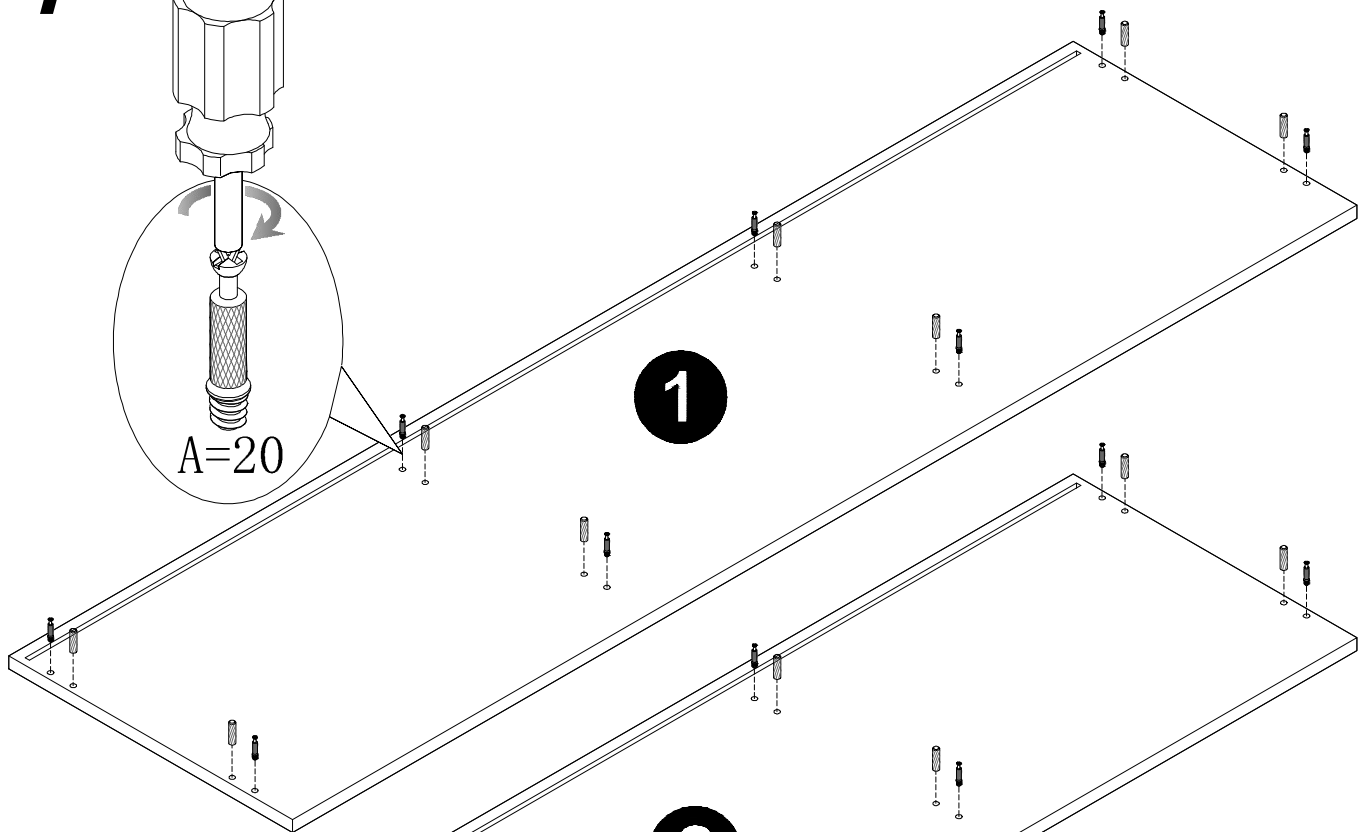
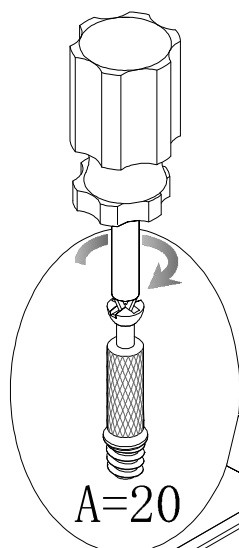


Z1=18

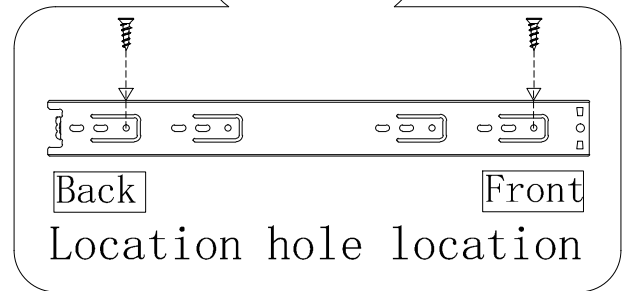
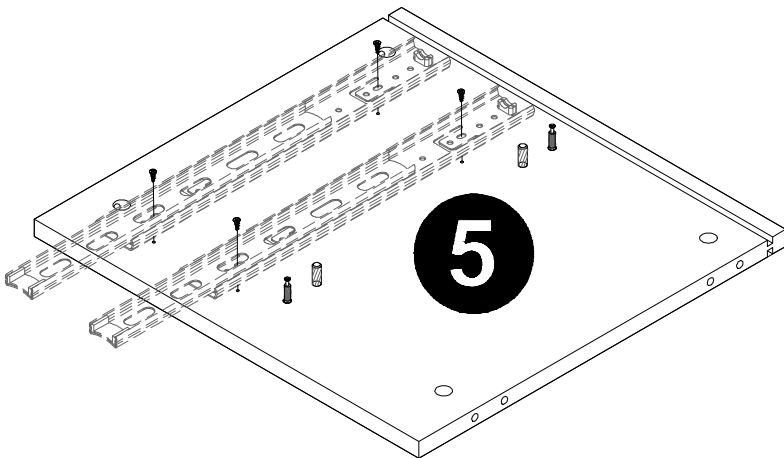
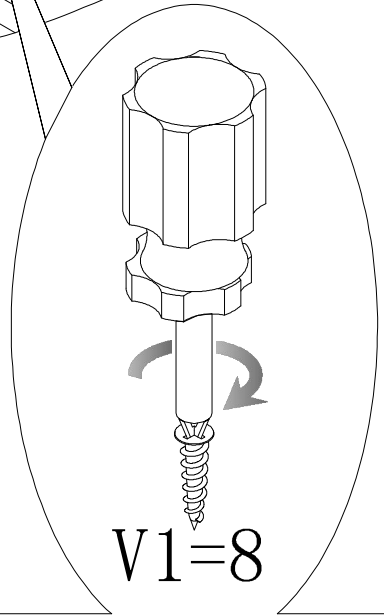
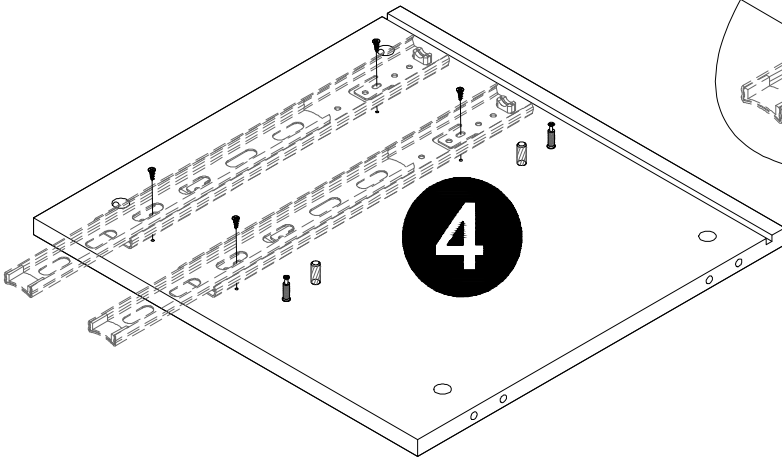
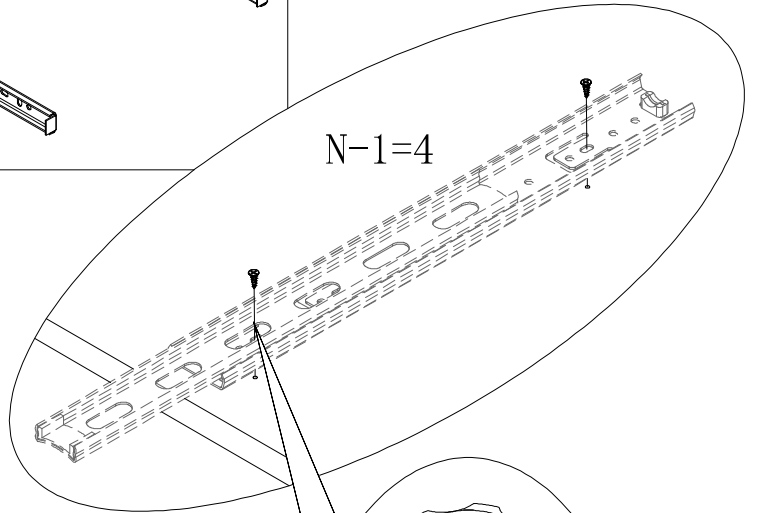
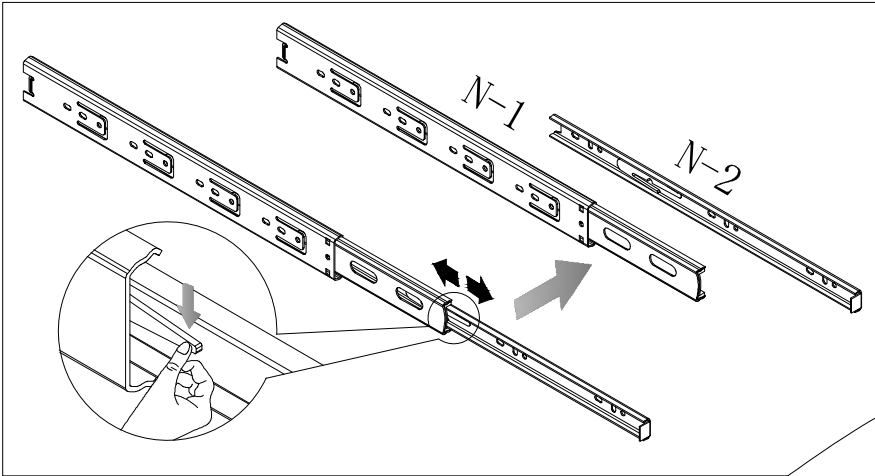


Z2=18

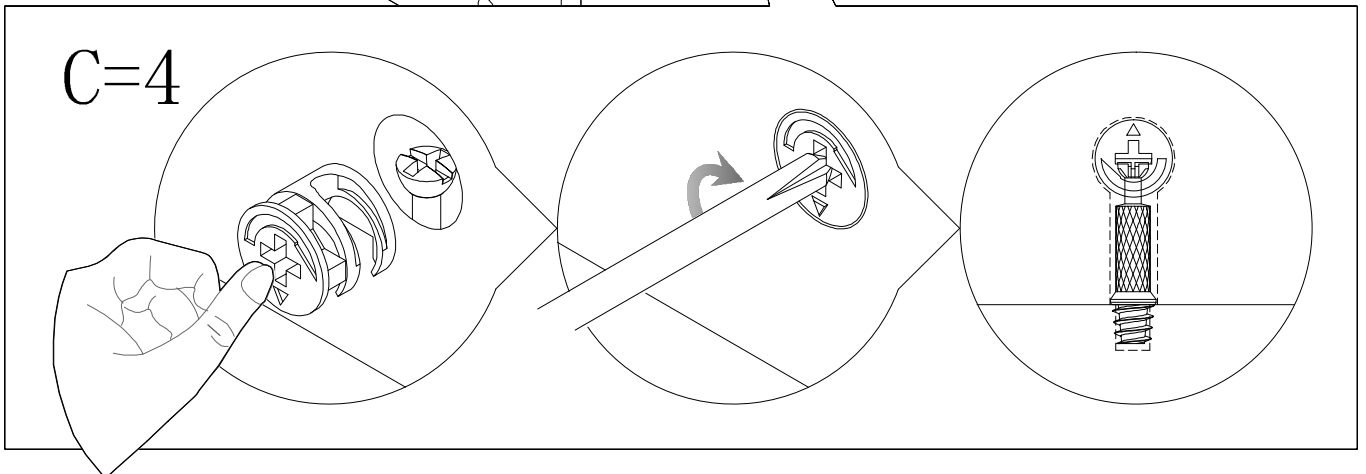
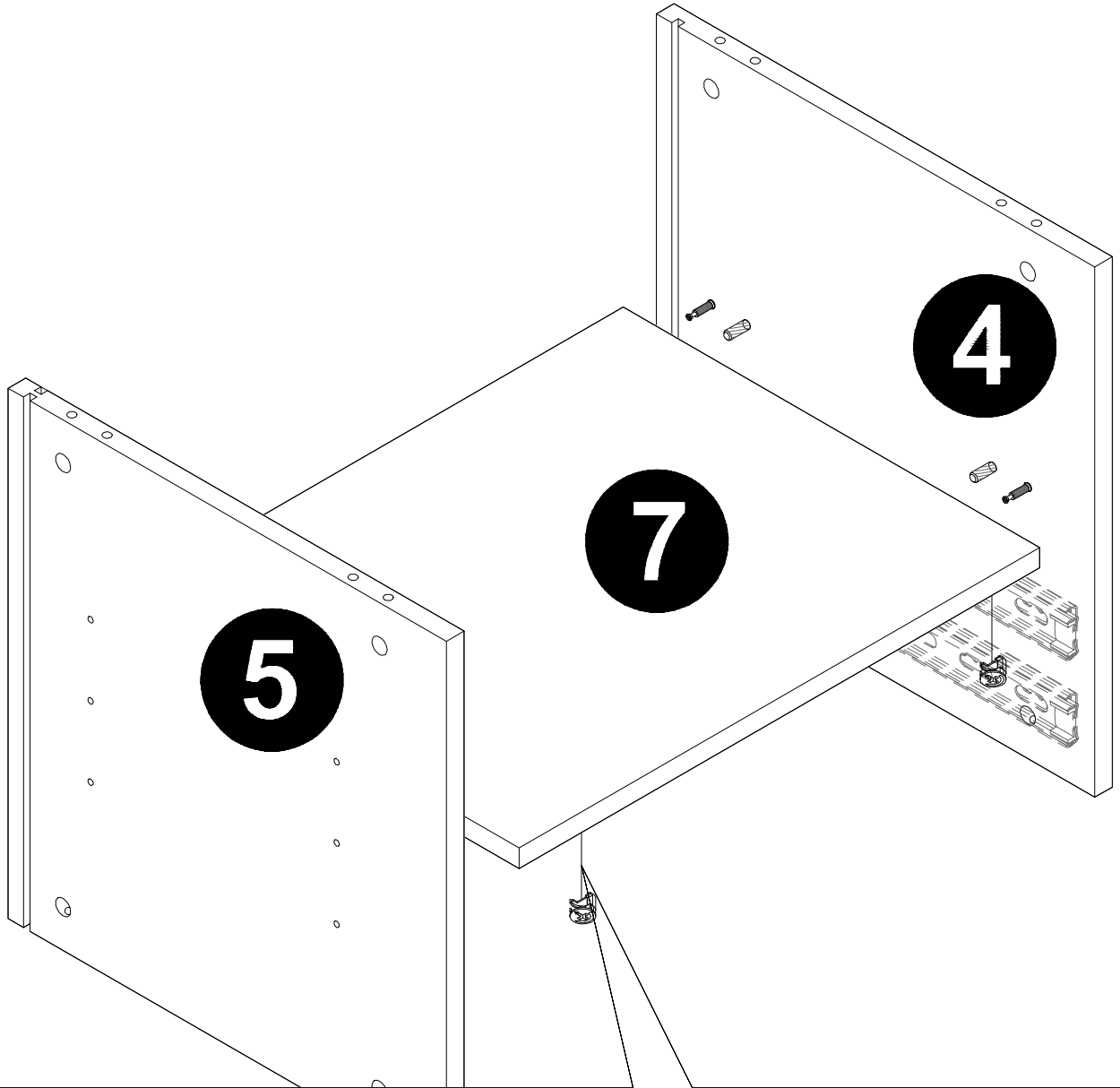
1



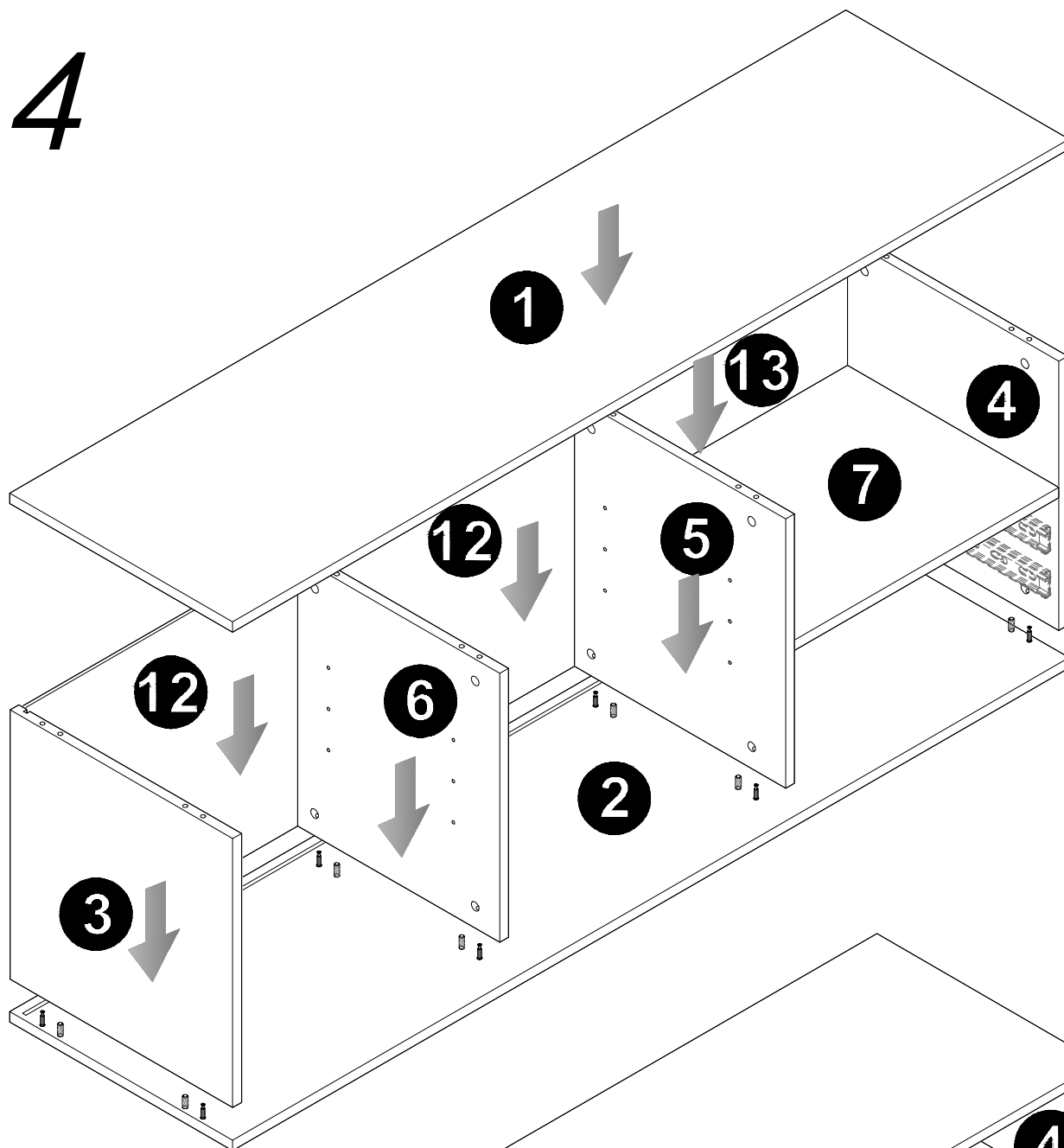
# 2



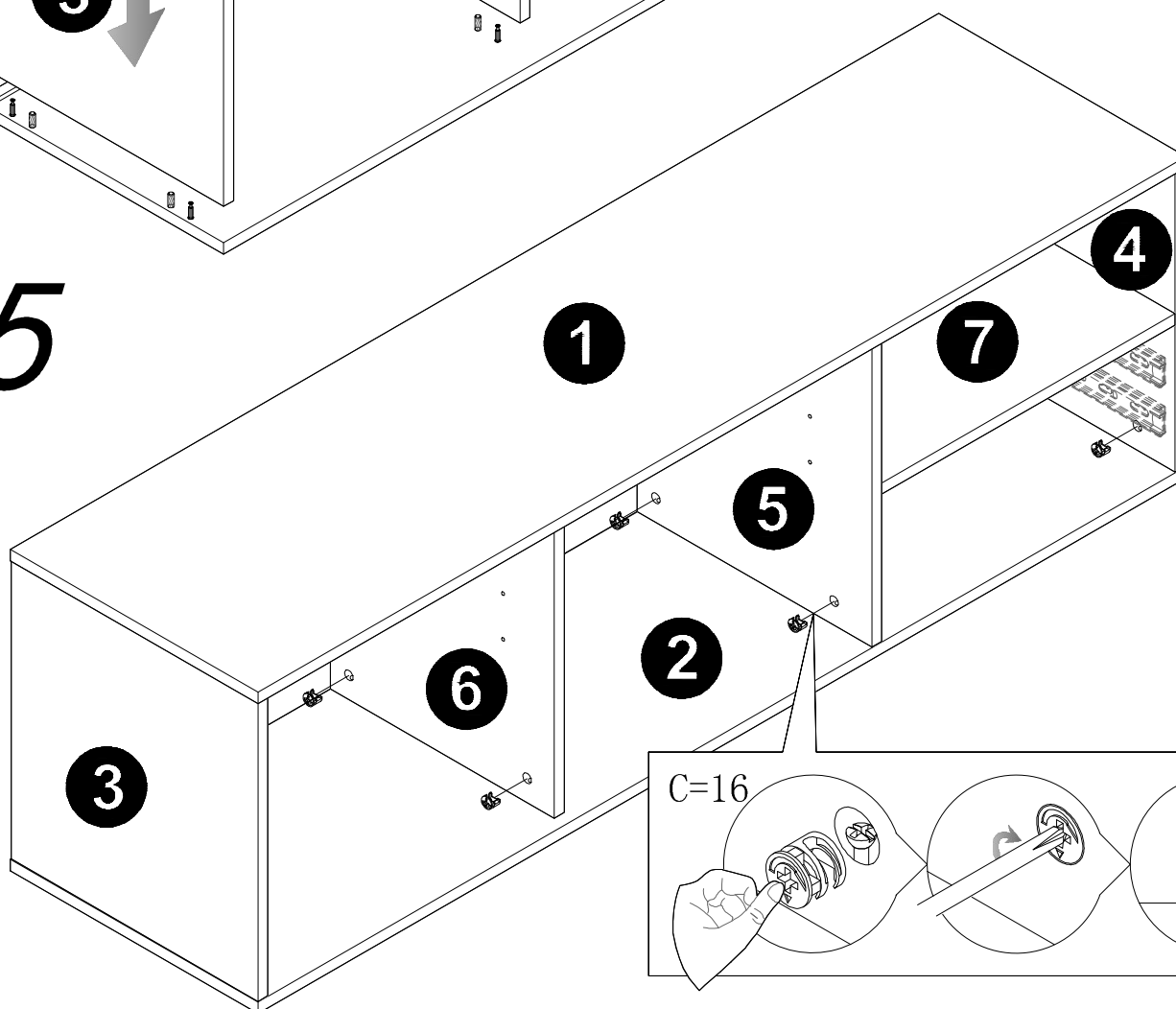
# 3



# 4

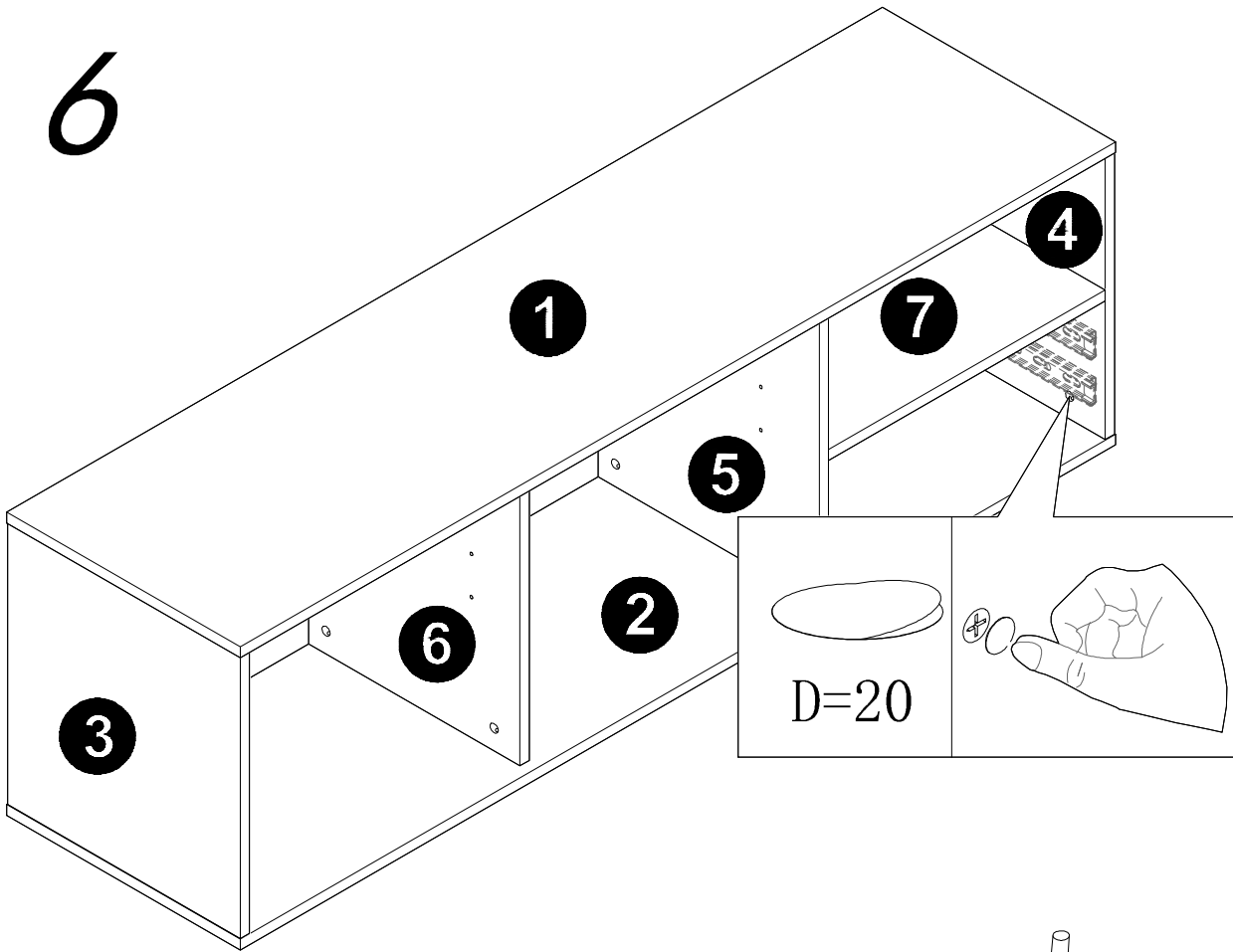


# 5

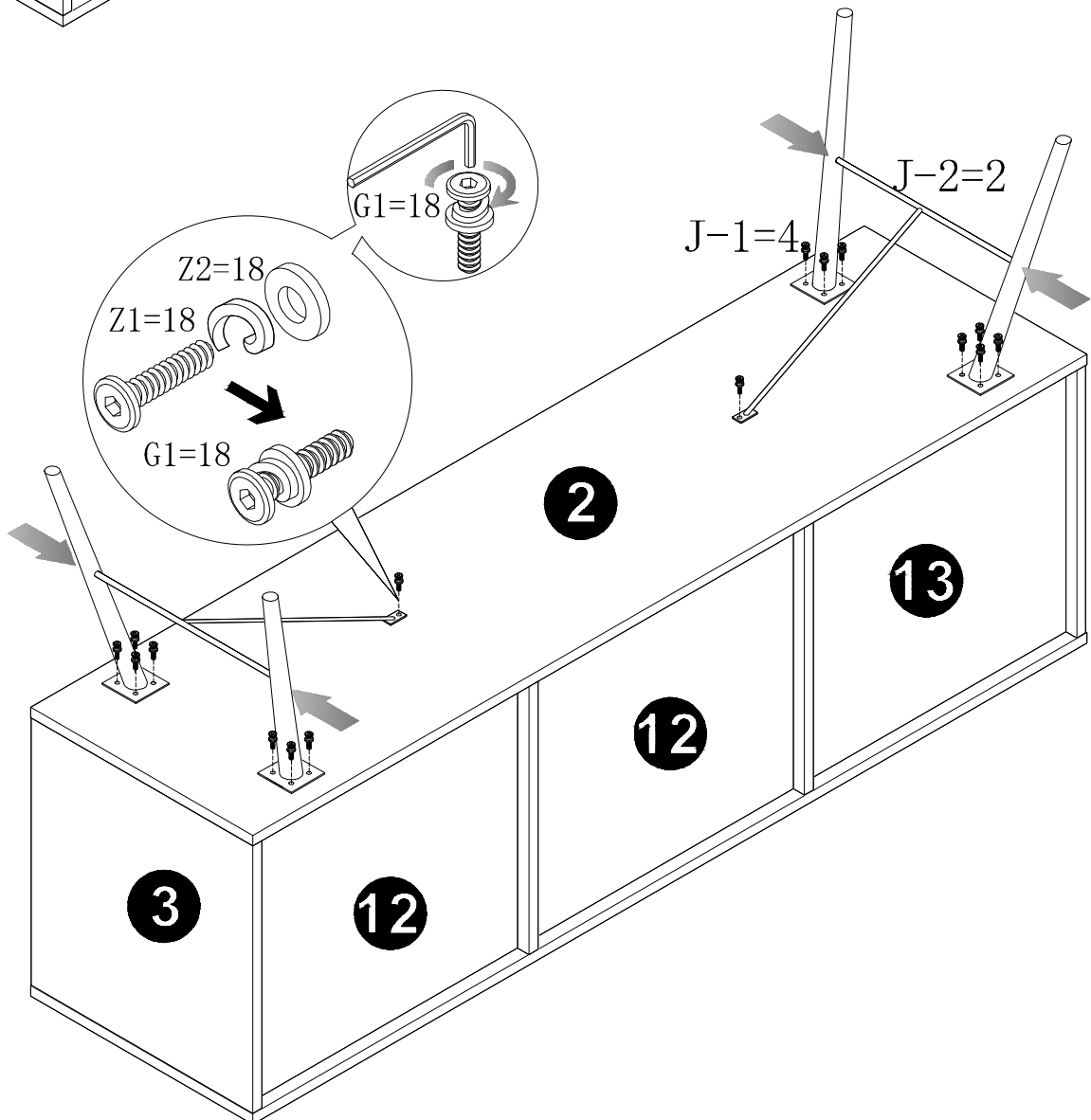




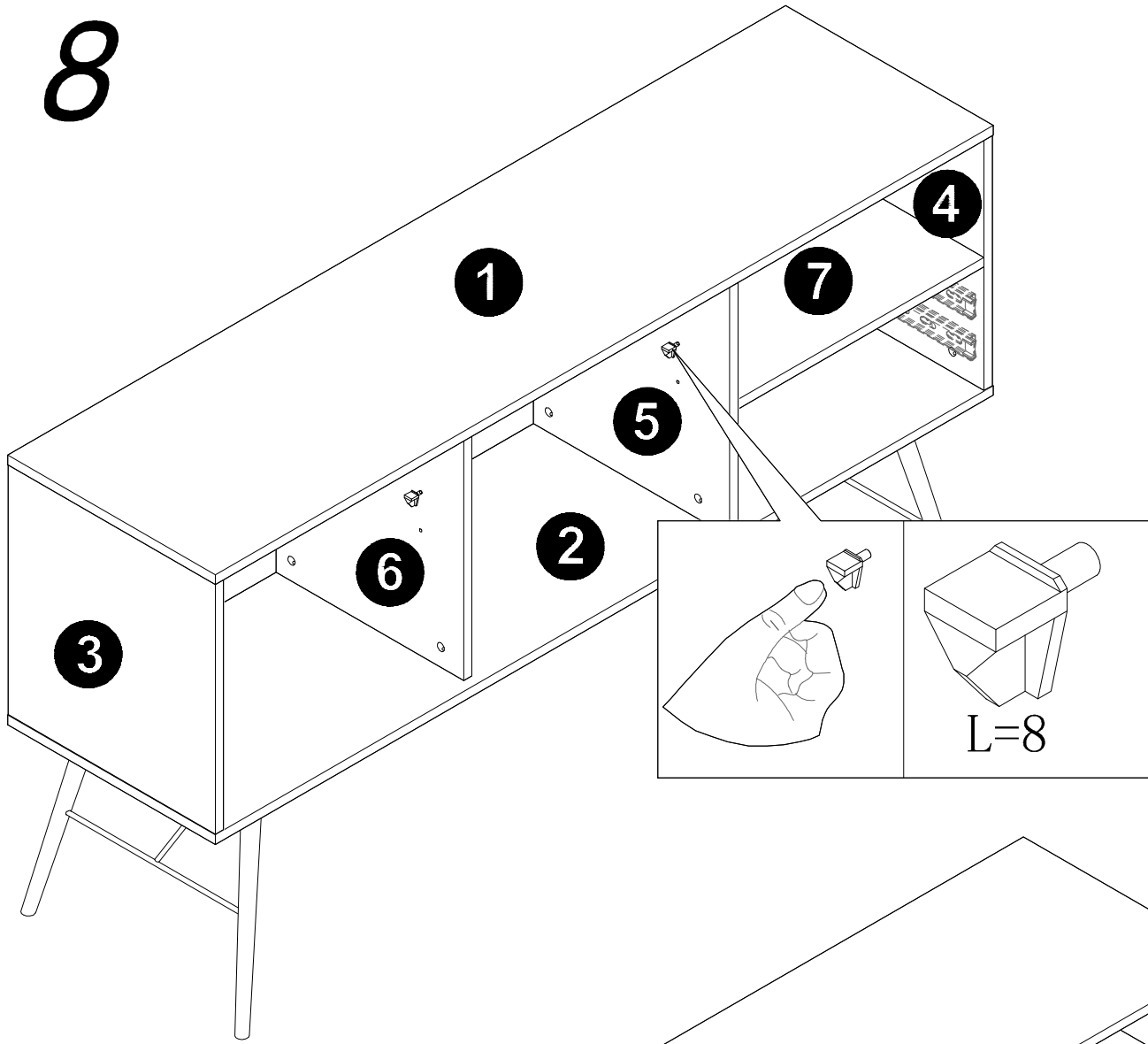
6



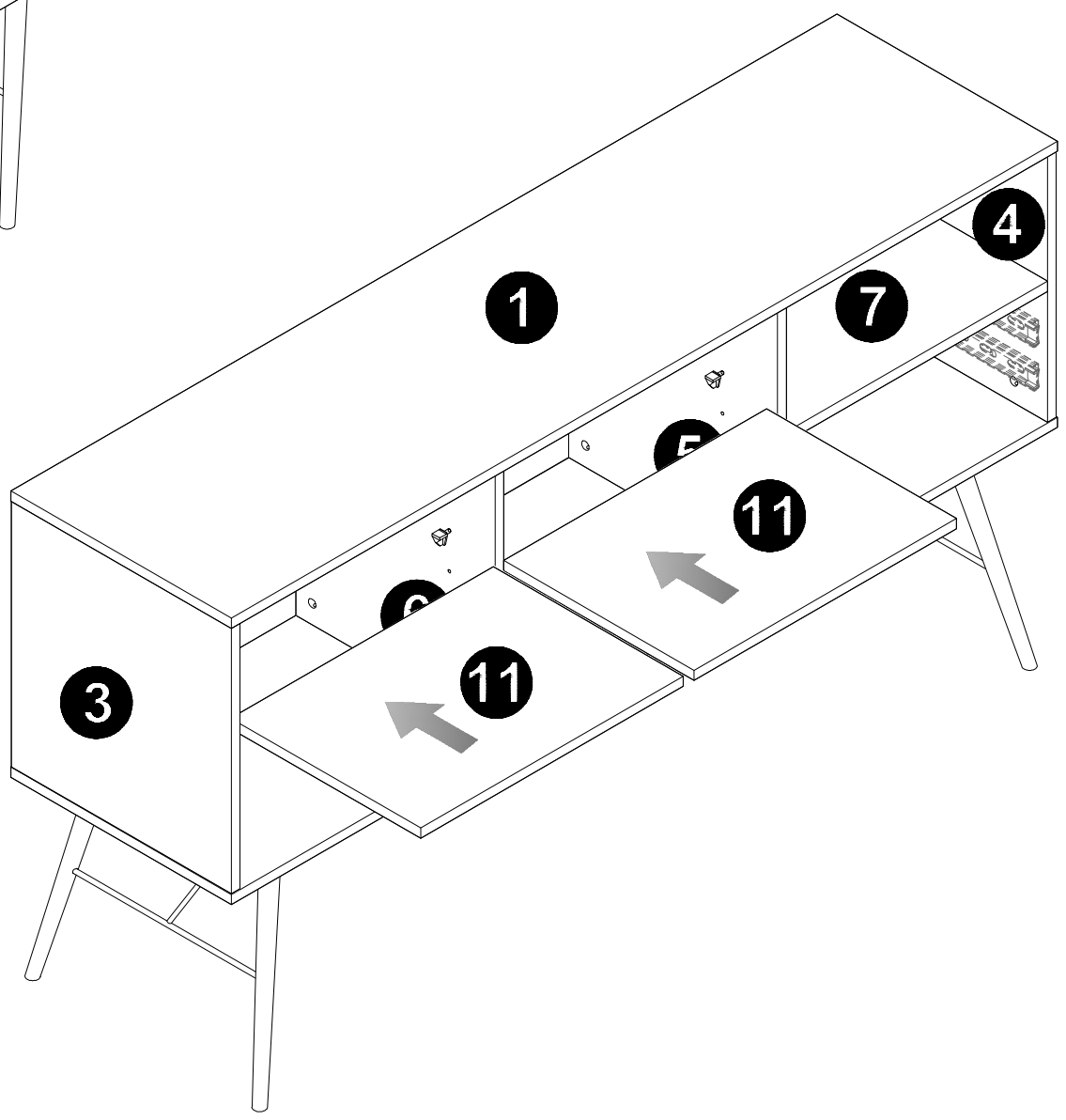
7



8

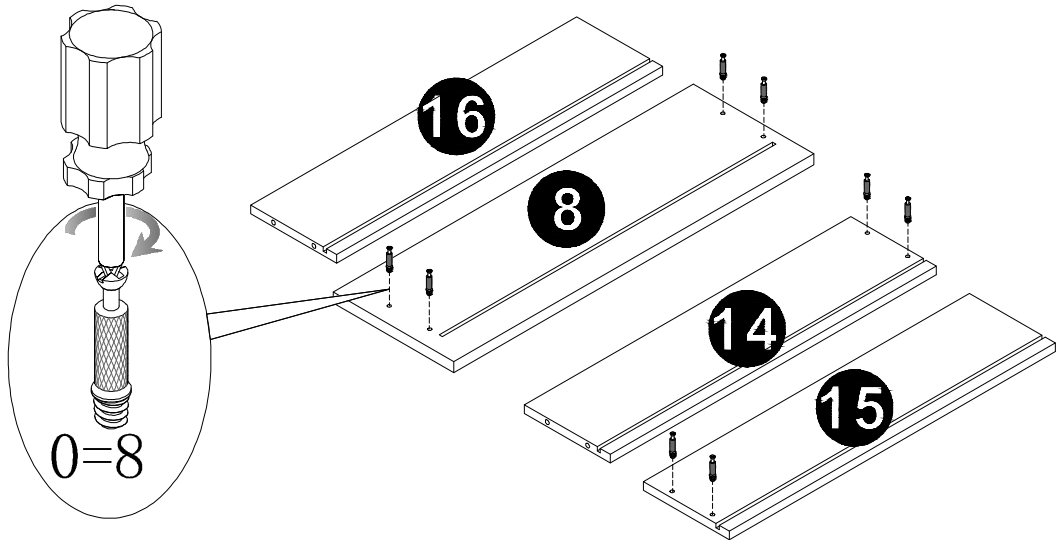


9

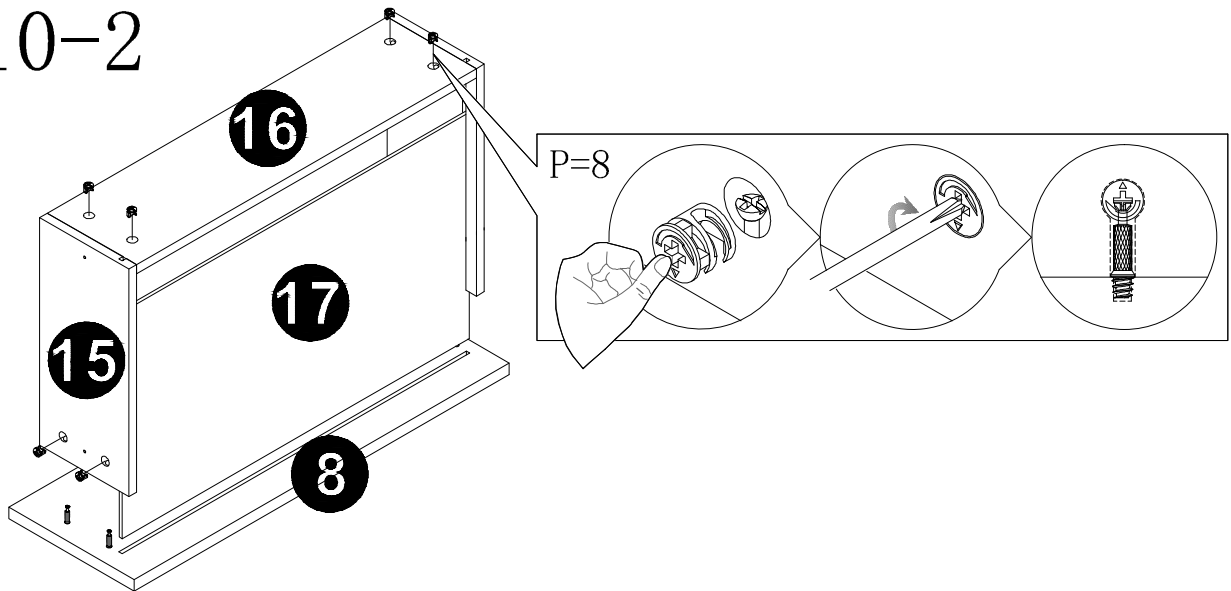


# 10

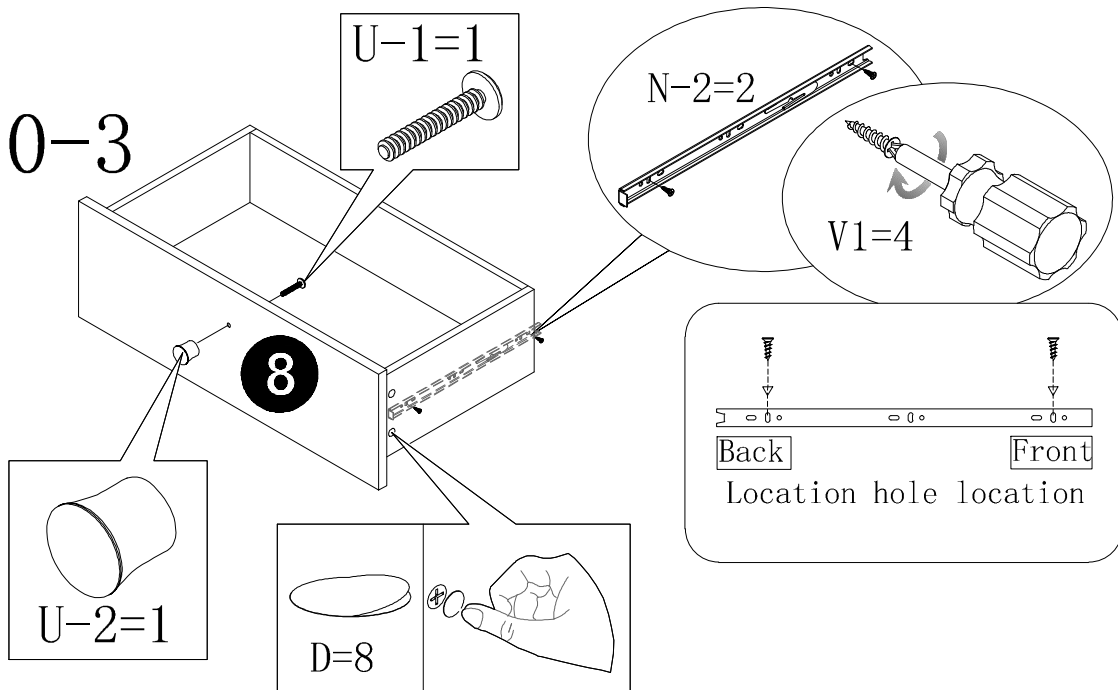
10-1



10-2

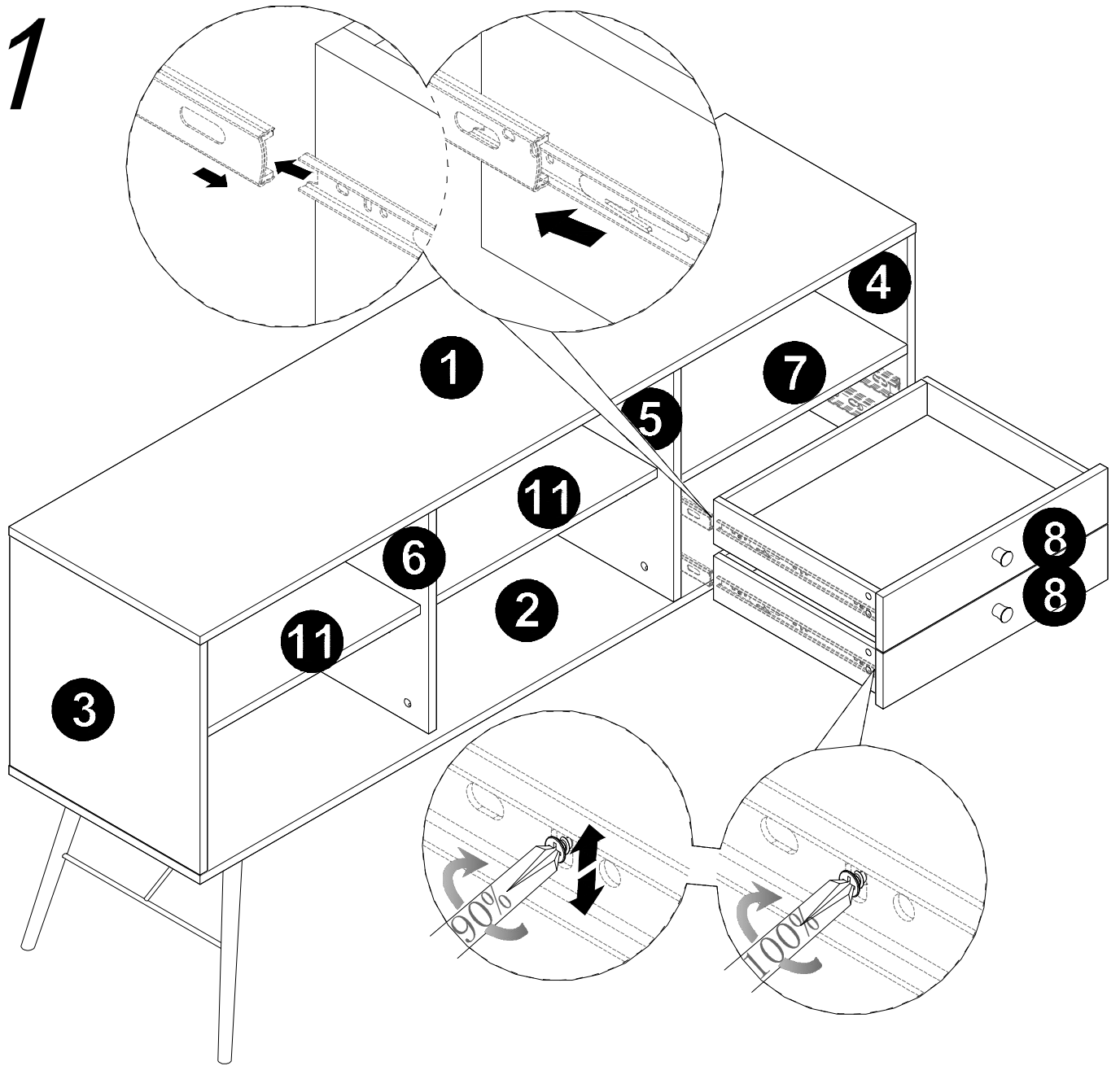


10-3

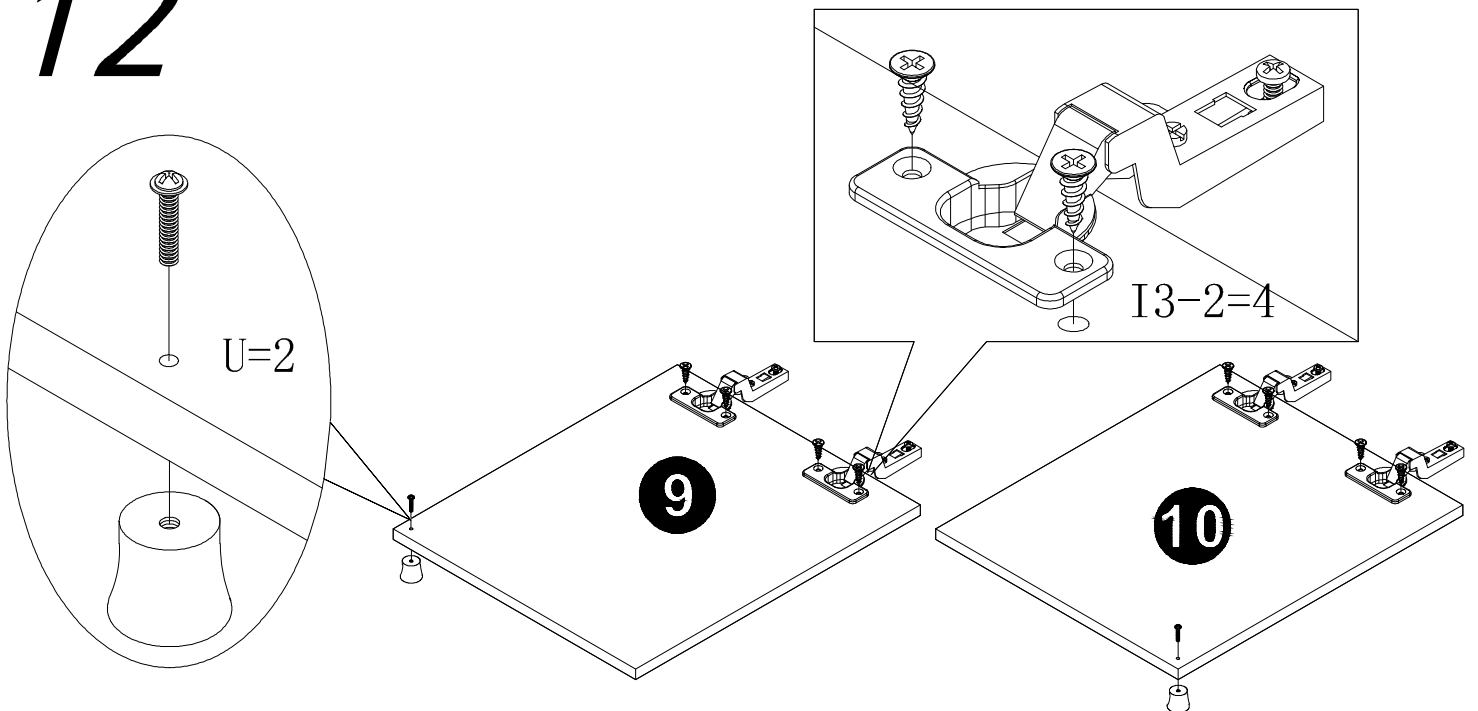


X2

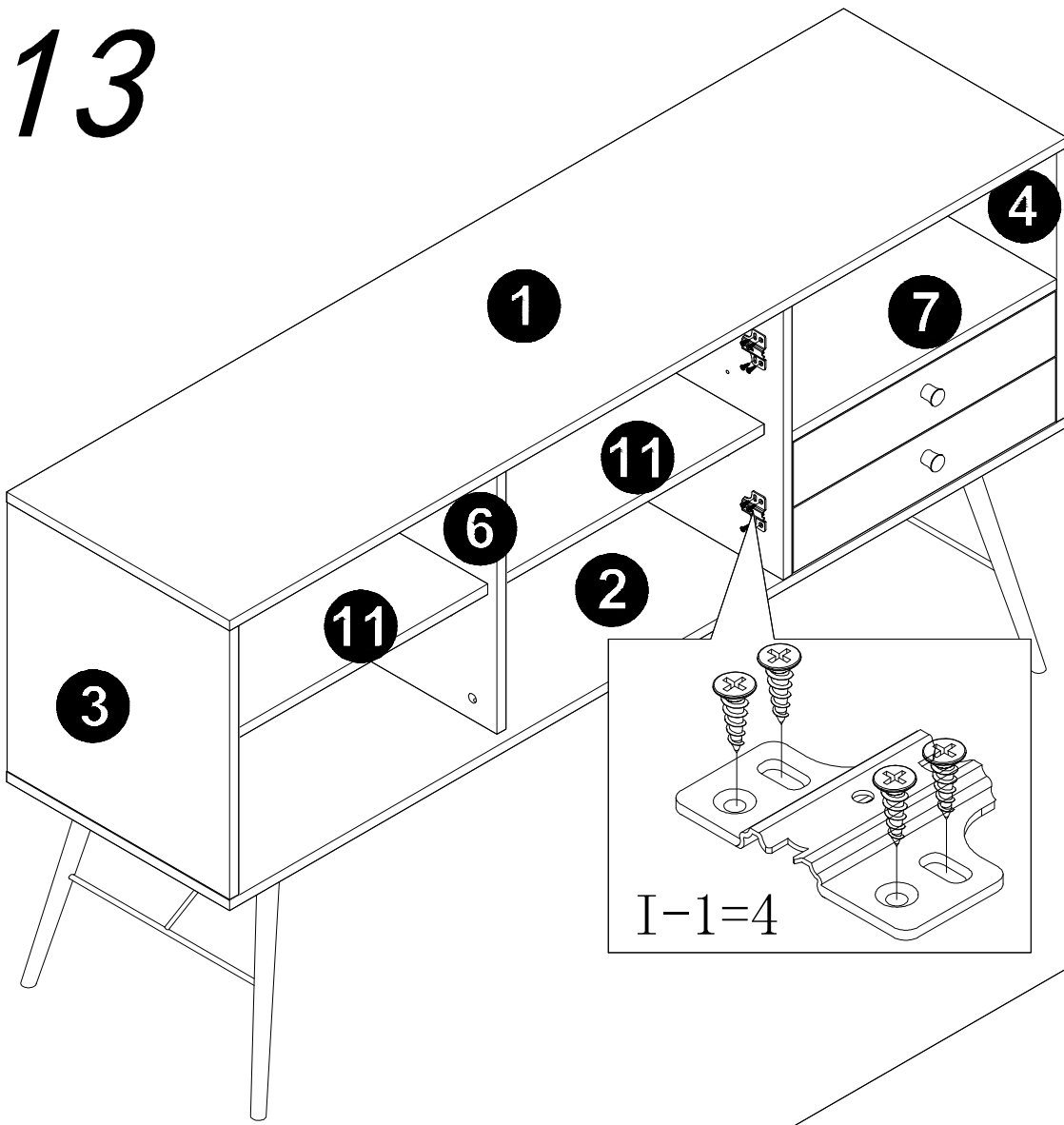
# 11



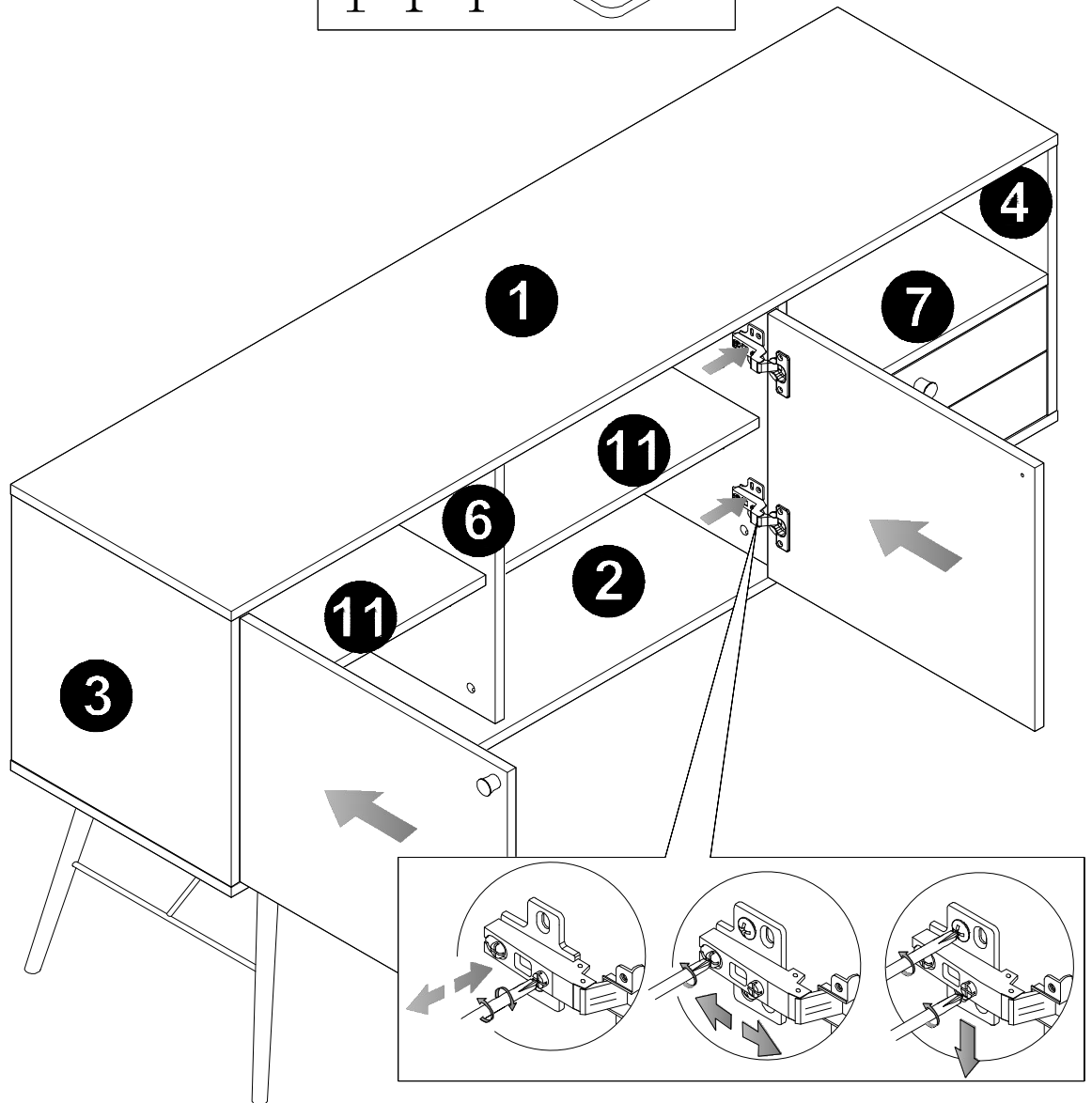
# 12



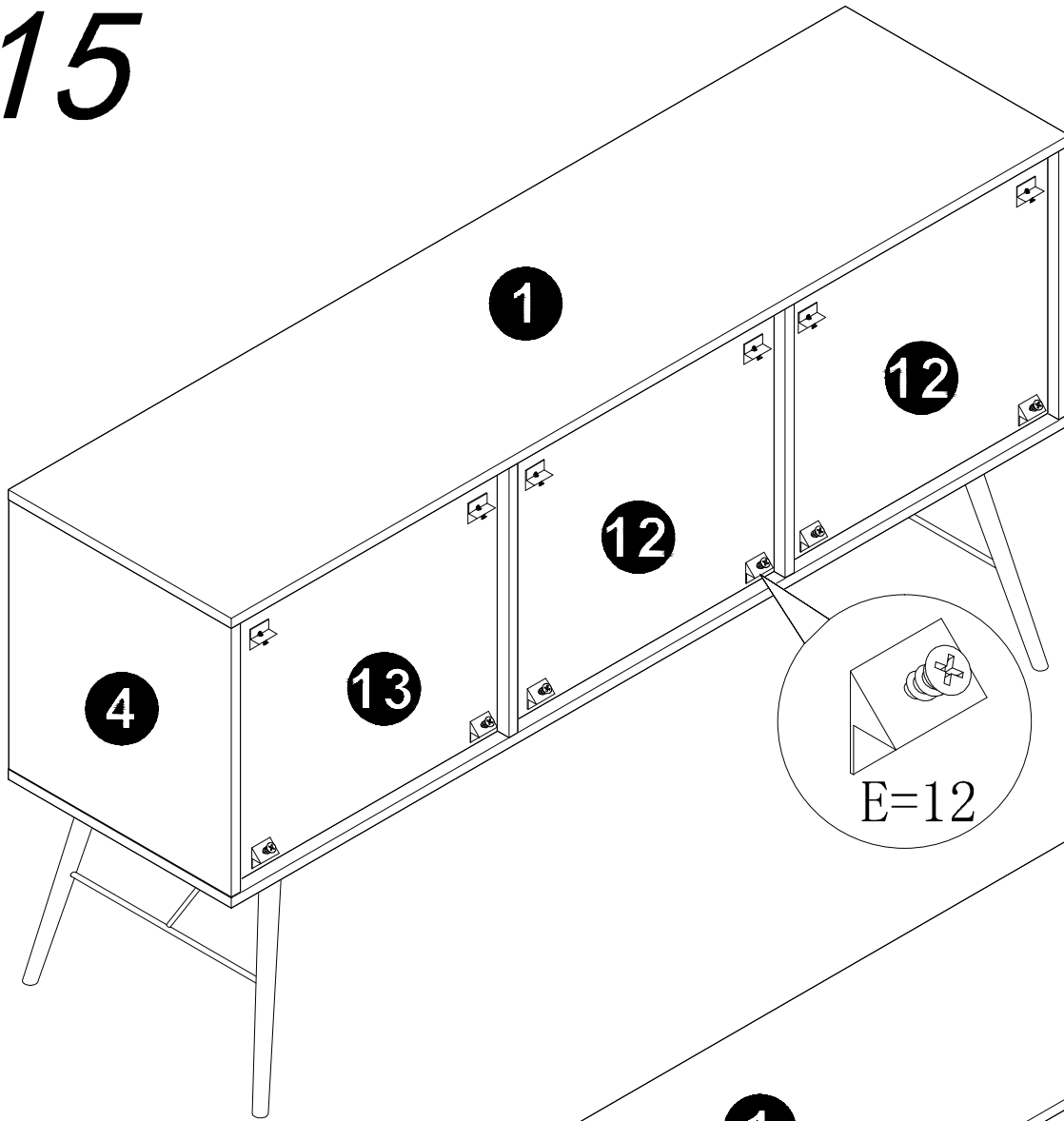
# 13



# 14



# 15



# 16

