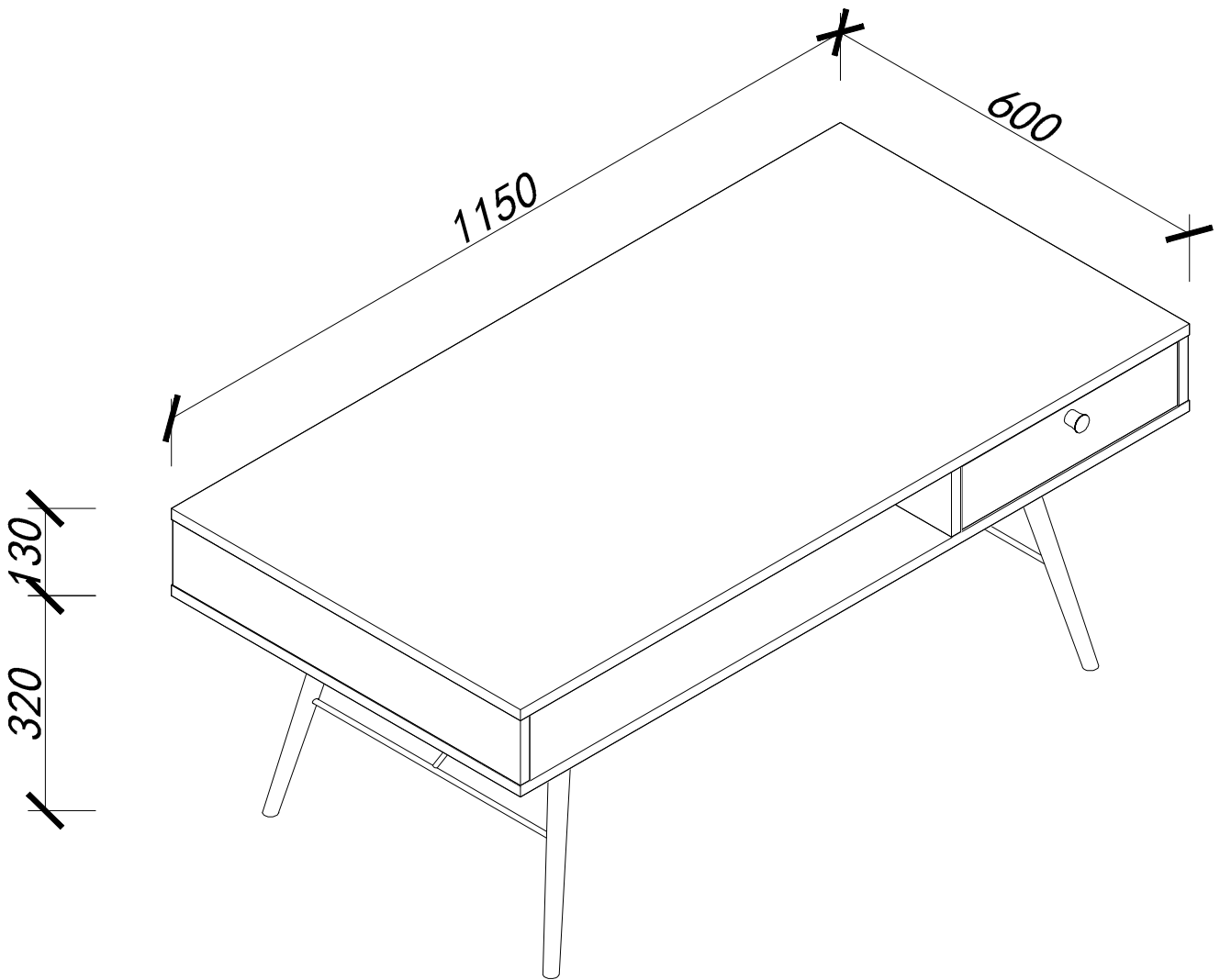
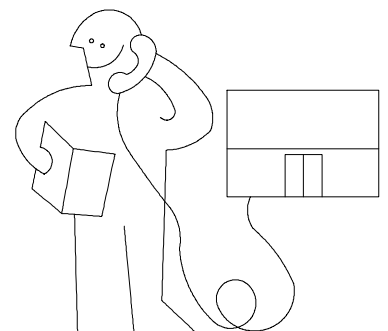
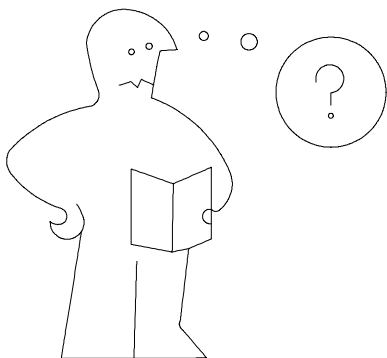
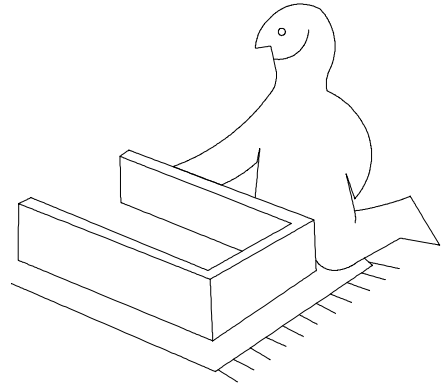
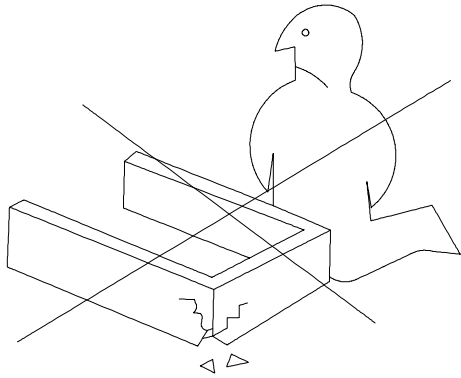
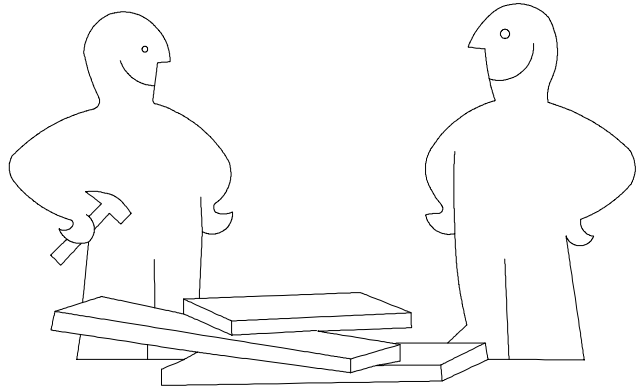
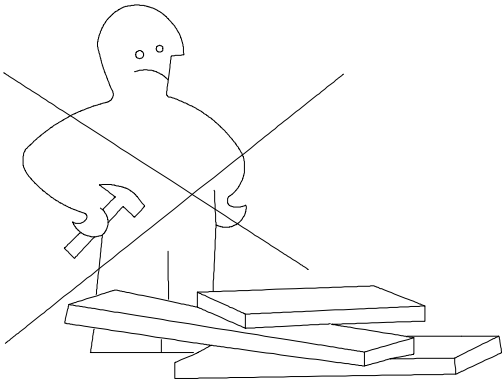
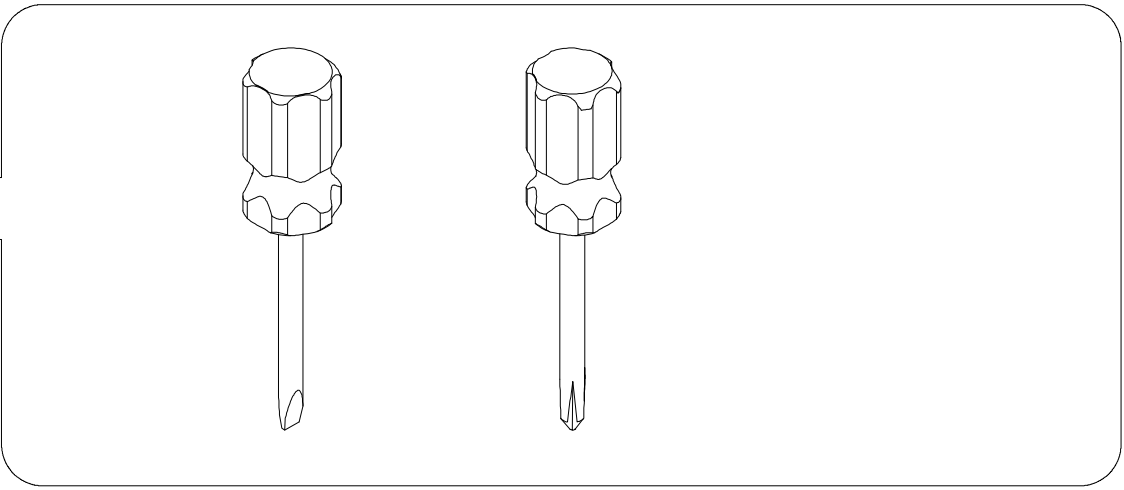
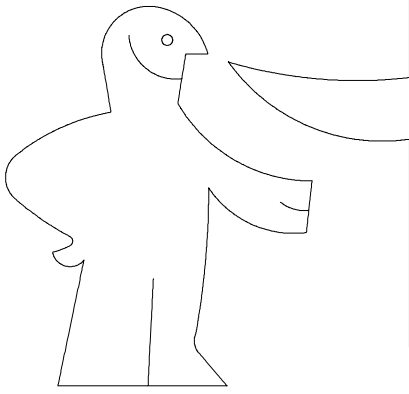


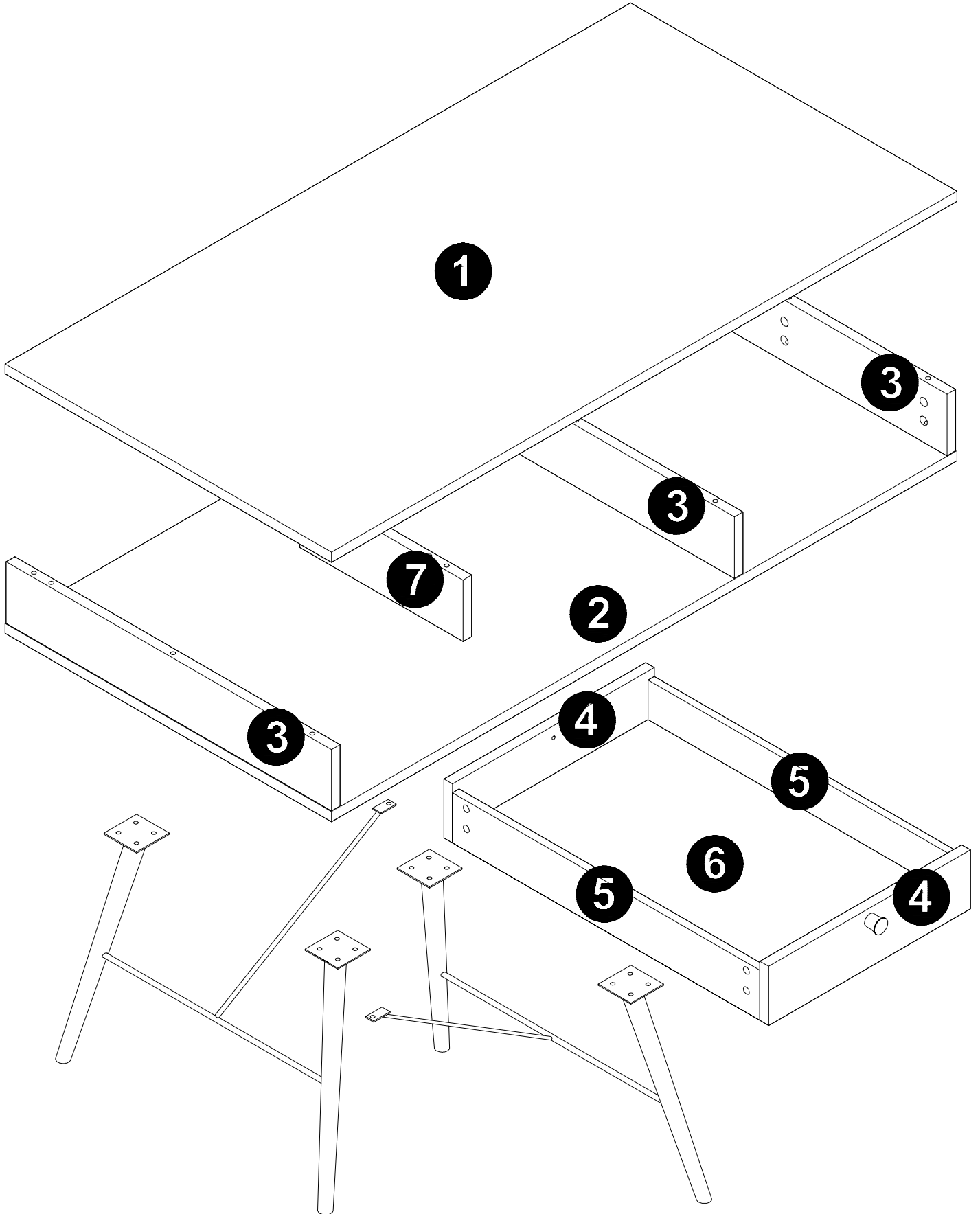
Assembly Instruction



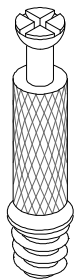


Panel No	Panel Sizes	Quantity
1	1150*600*16	1
2	1150*600*16	1
3	98*598*16	3
4	371*94*16	2

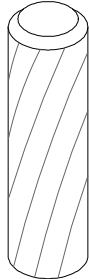
Panel No	Panel Sizes	Quantity
5	565*80*12	2
6	357*575*5	1
7	98*300*16	1



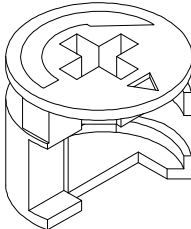
Fittings



A=22



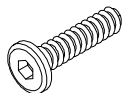
B=16



C=22



D=30

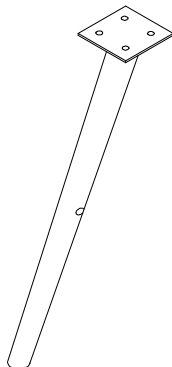


M6*16

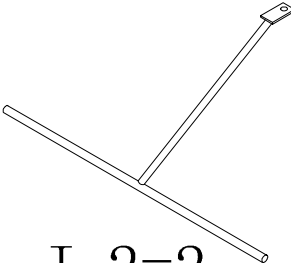
G1=18



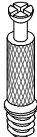
H=1



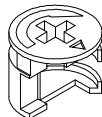
J-1=4



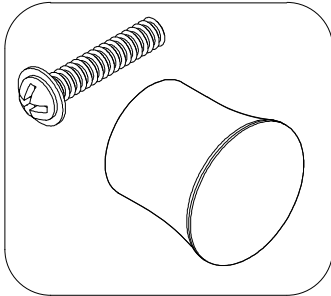
J-2=2



O=8



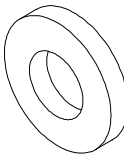
P=8



U=2

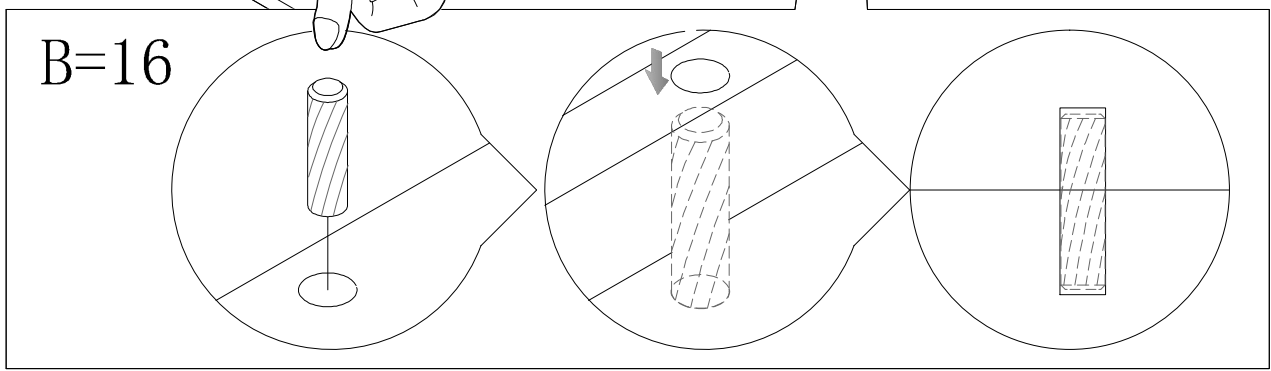
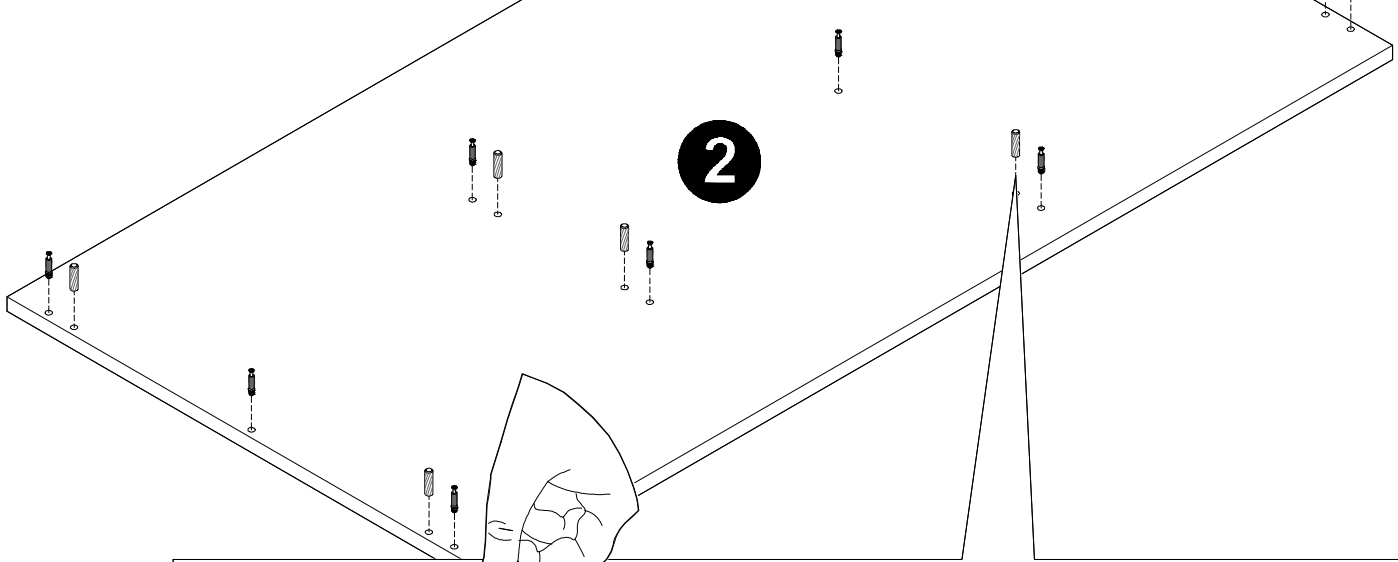
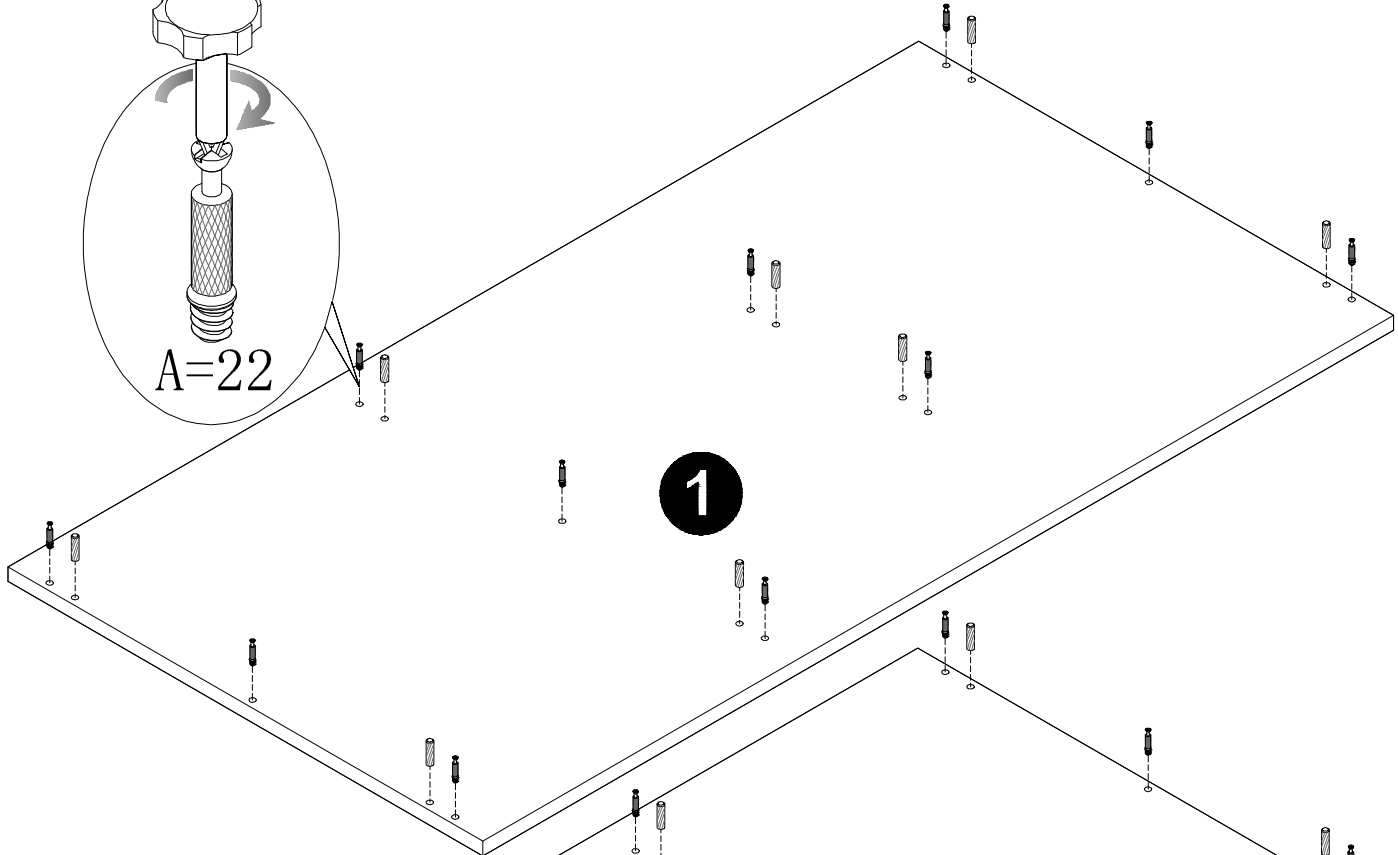
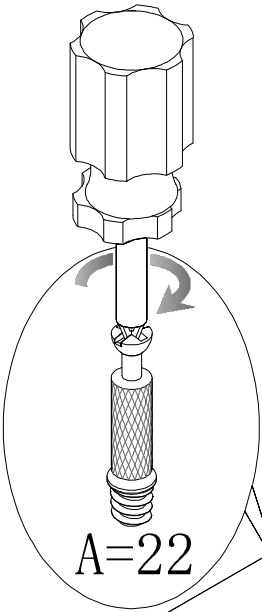


Z1=18

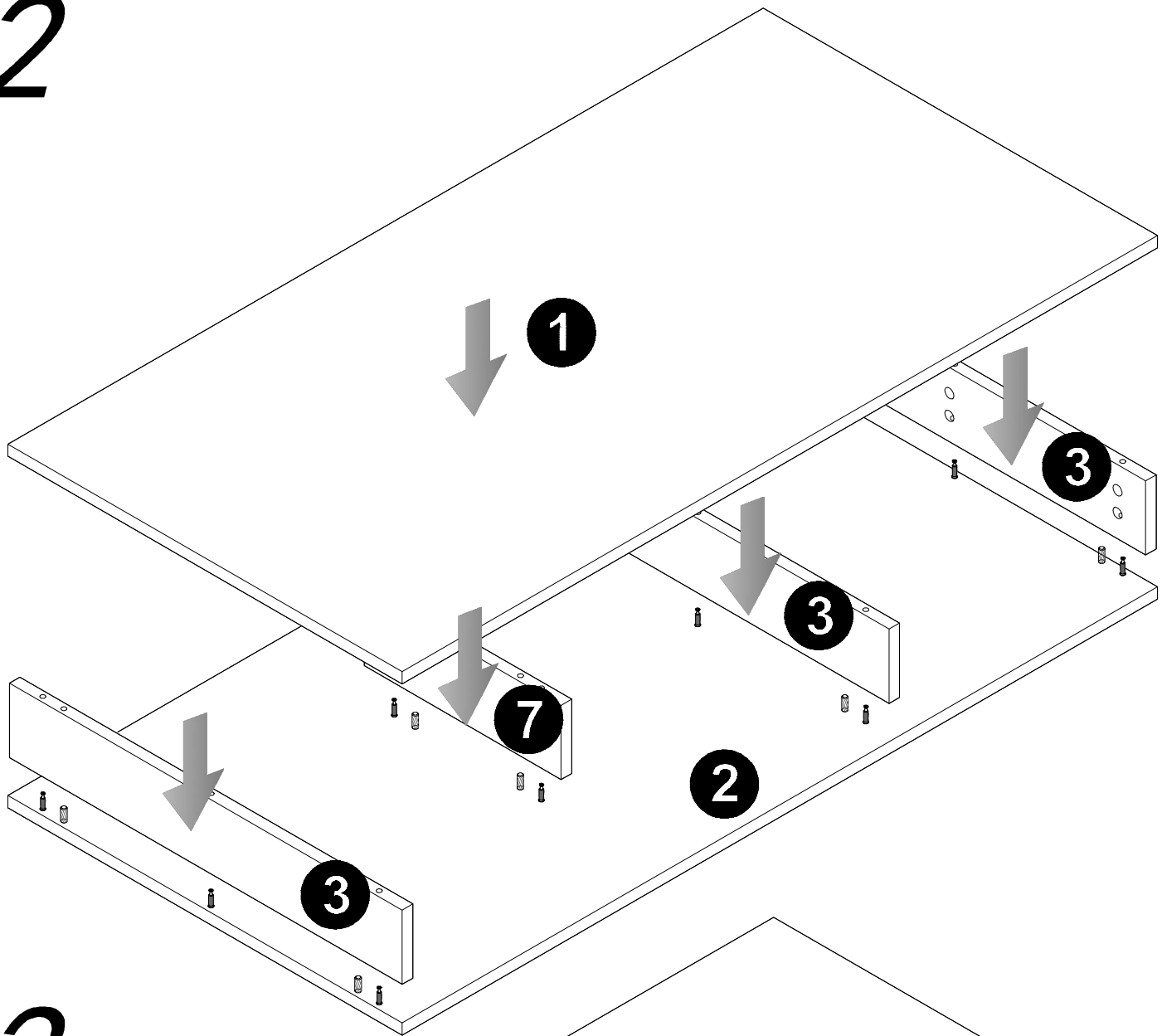


Z2=18

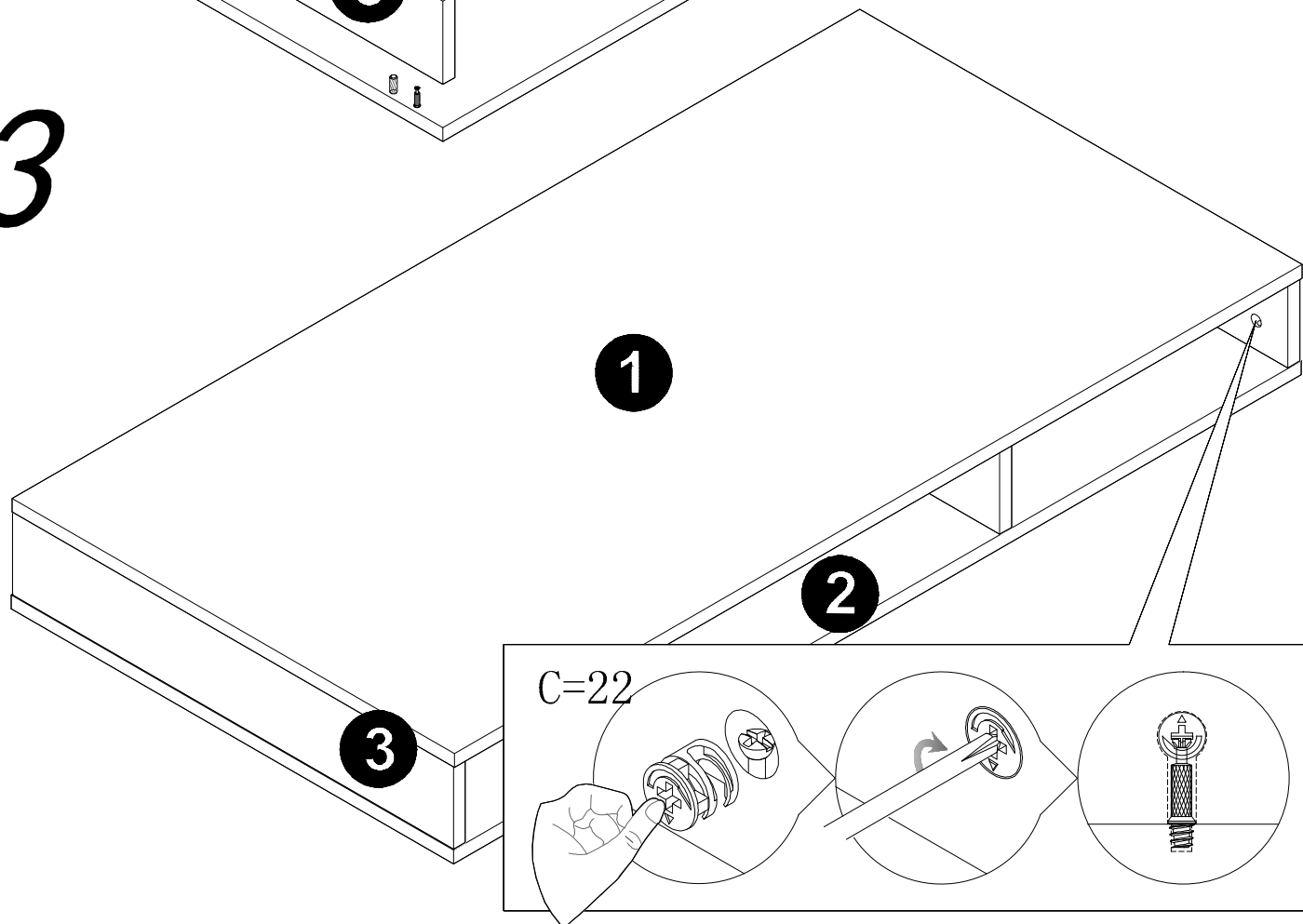
1



2

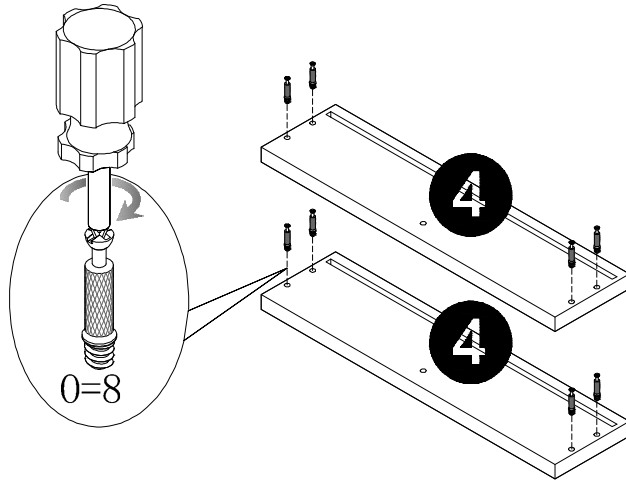


3

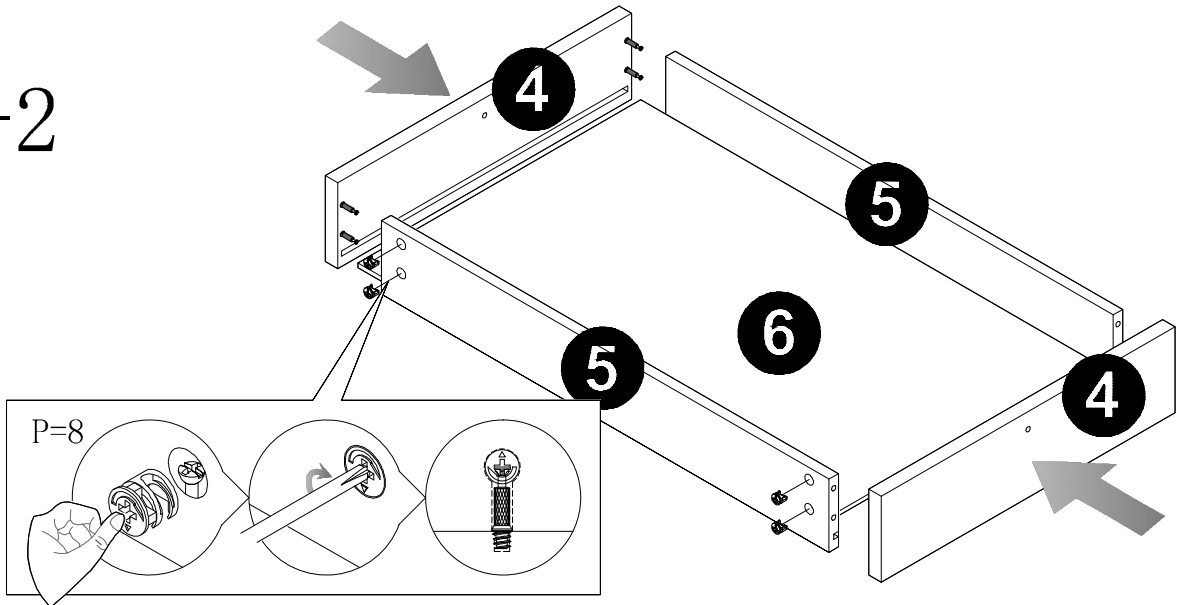


4

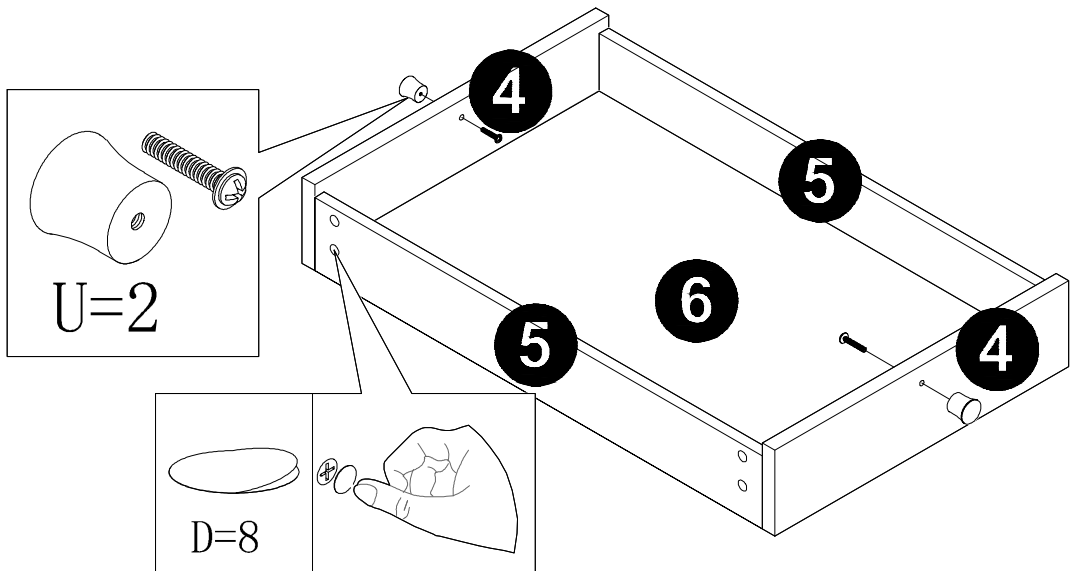
4-1



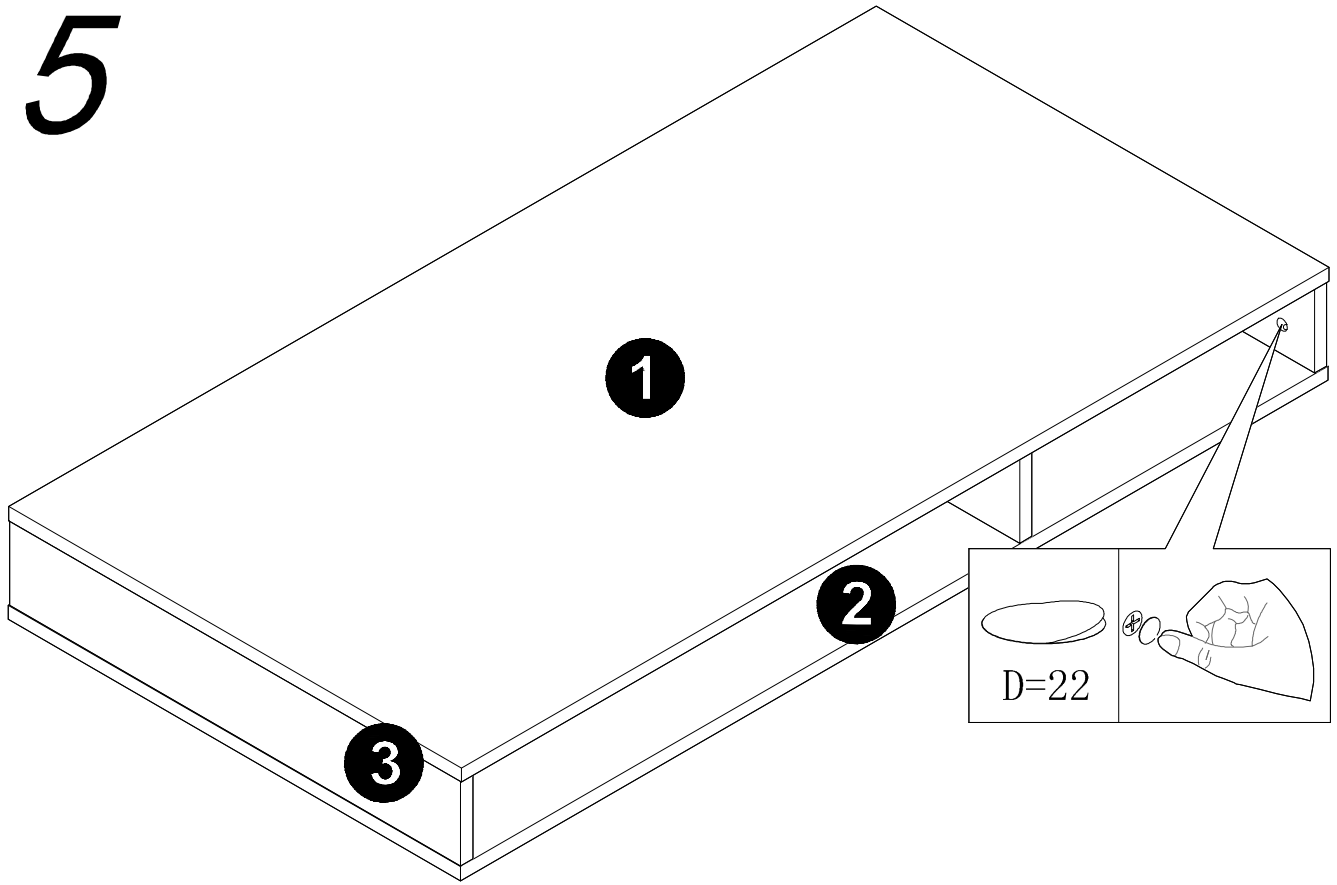
4-2



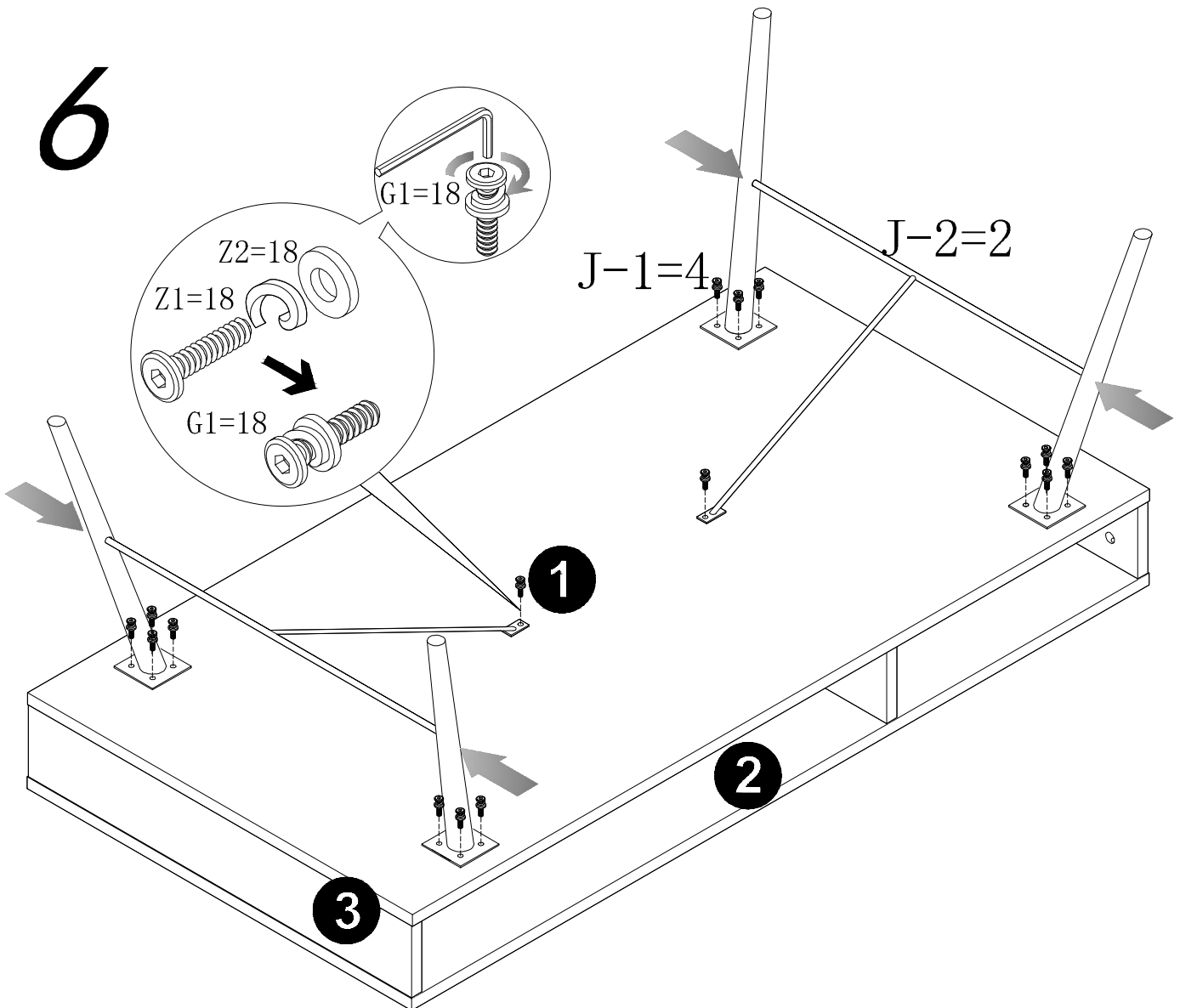
4-3



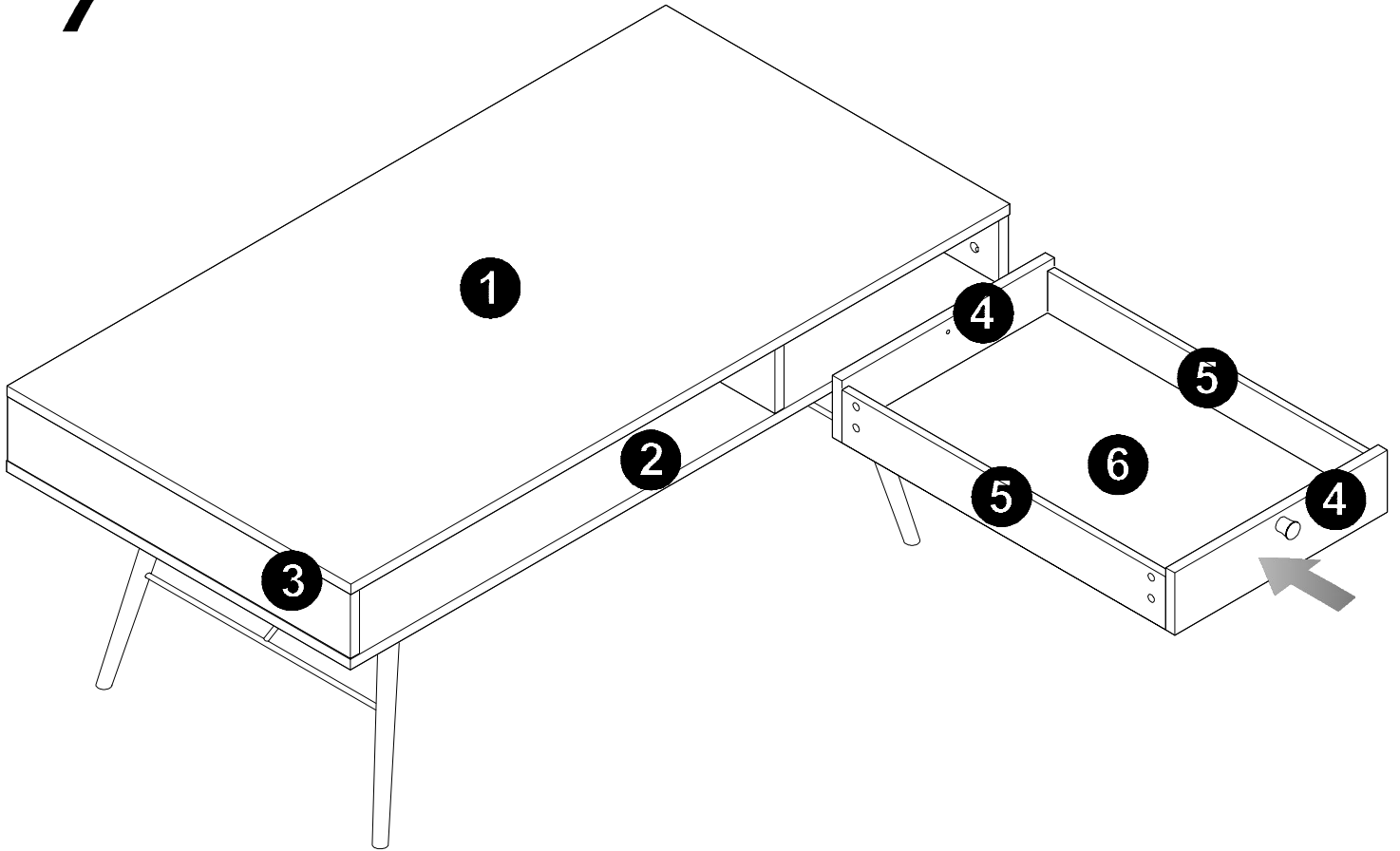
5



6



7



8

