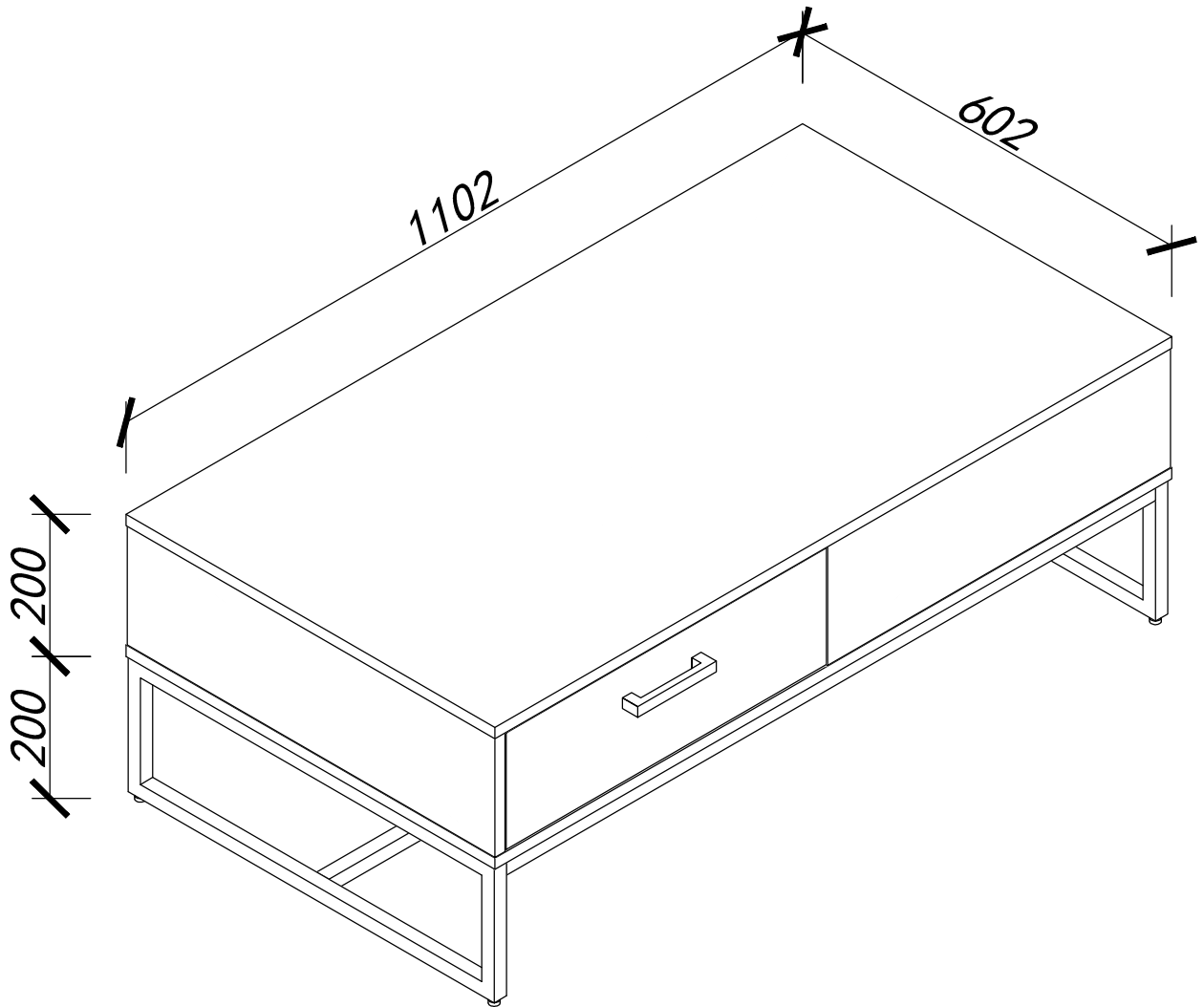
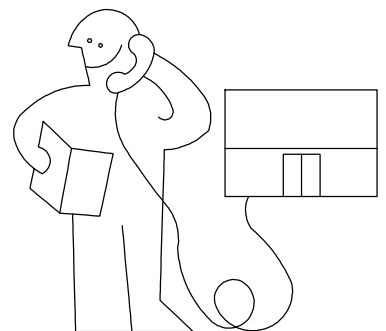
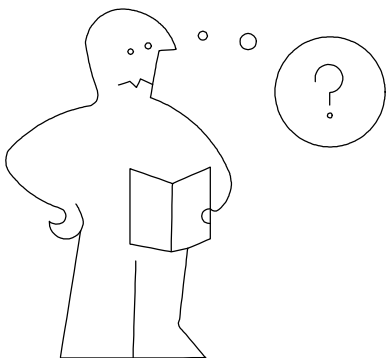
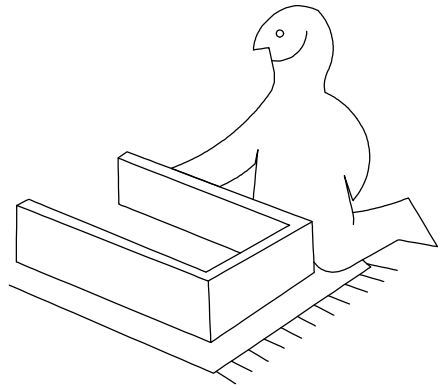
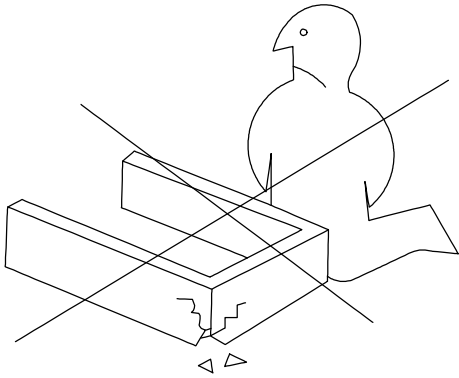
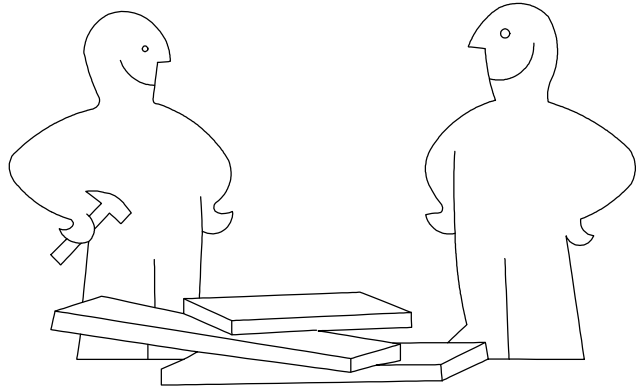
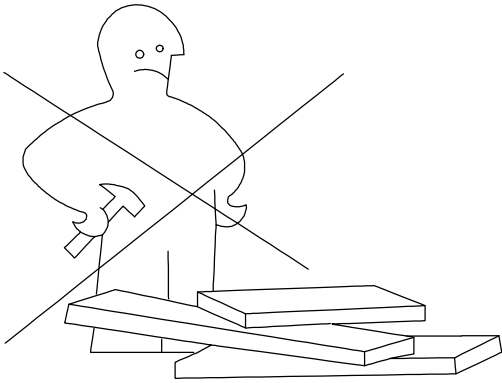
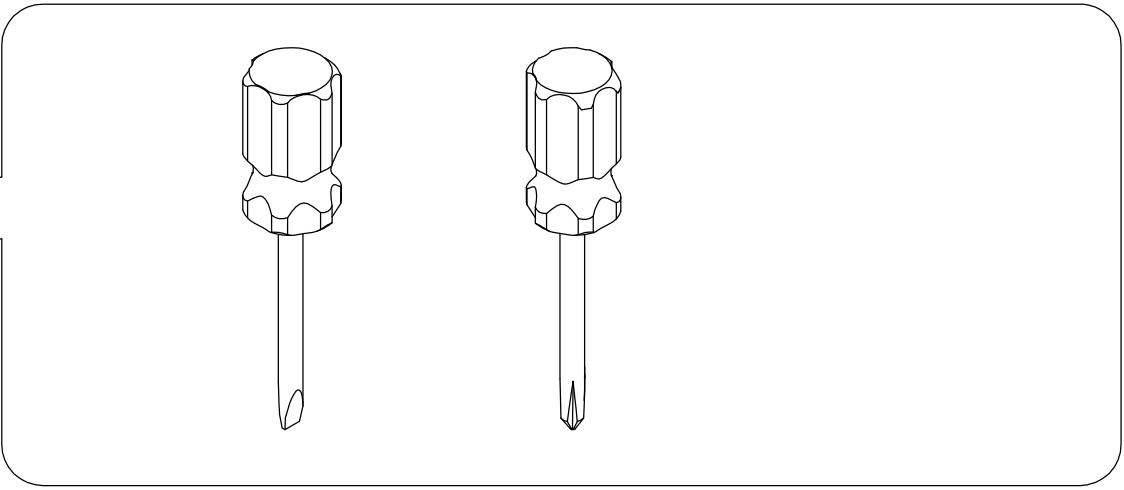
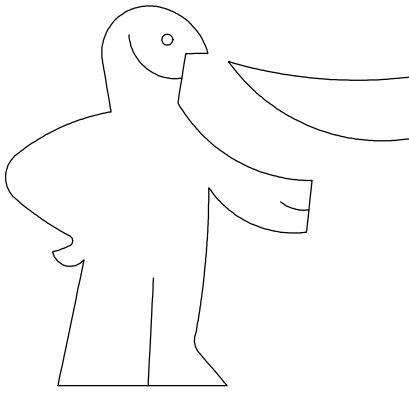


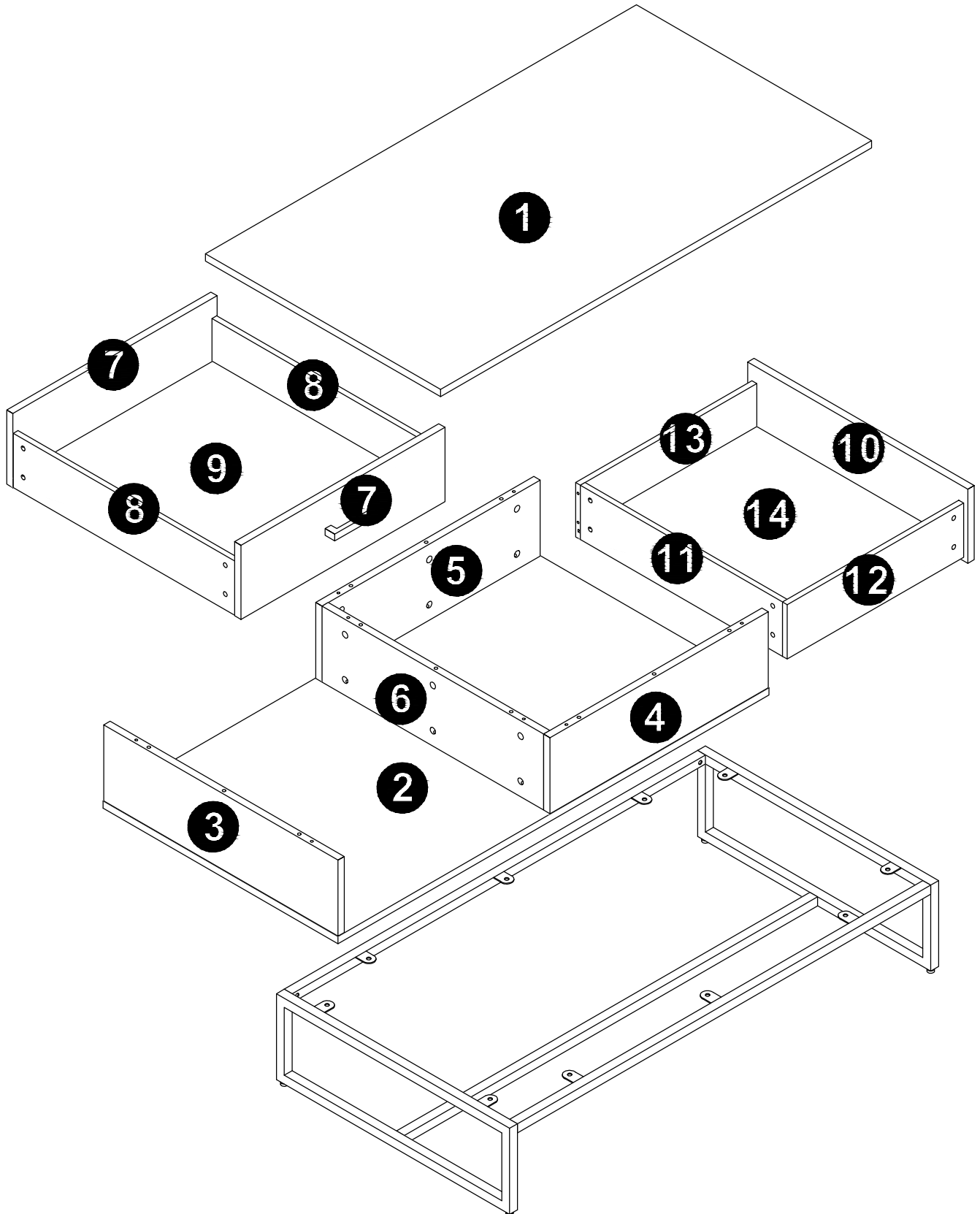
# Assembly Instruction



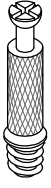


Panel No	Panel Sizes	Quantity
1	1102*602*16	1
2	1102*602*16	1
3	168*598*16	1
4	168*557*16	1
5	168*557*16	1
6	168*566*16	1
7	521*164*16	2

Panel No	Panel Sizes	Quantity
8	566*120*12	2
9	576*507*5	1
10	562*164*16	1
11	516*120*12	1
12	450*120*12	1
13	450*120*12	1
14	526*448*5	1



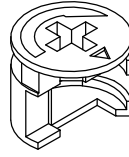
# Fittings



A=24



B=16



C=24



D=40

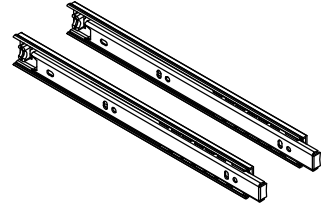
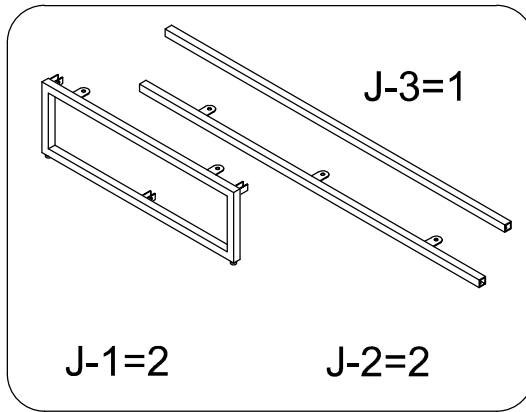


M6\*16

G1=16



H=1



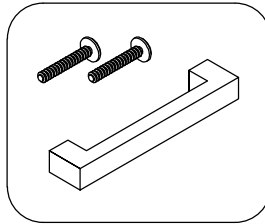
N=1



O=16



P=16



U=3

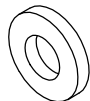


M3.5\*12

V1=8

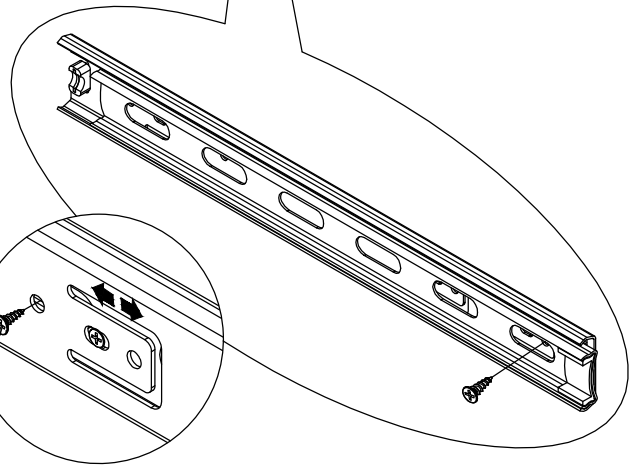
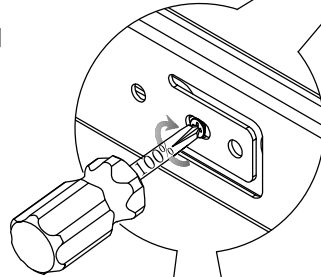
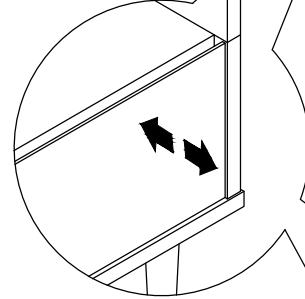
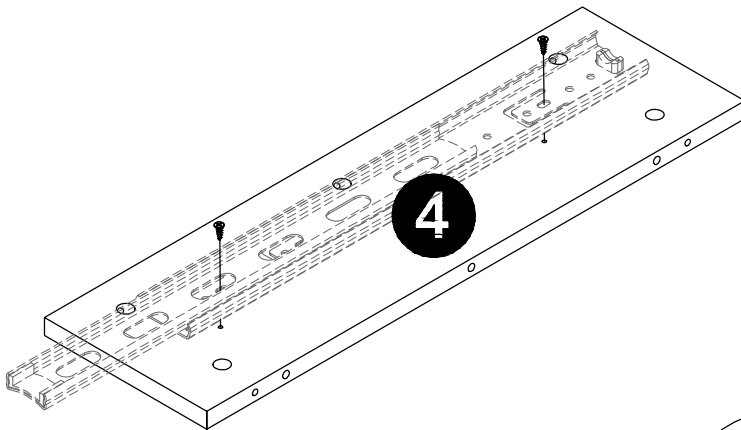
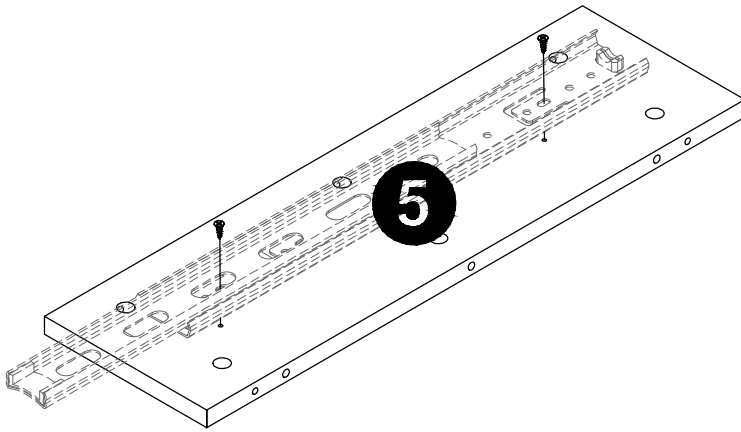
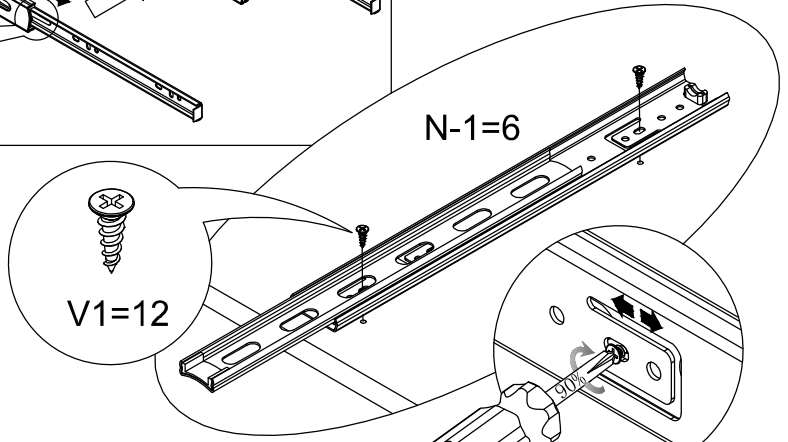
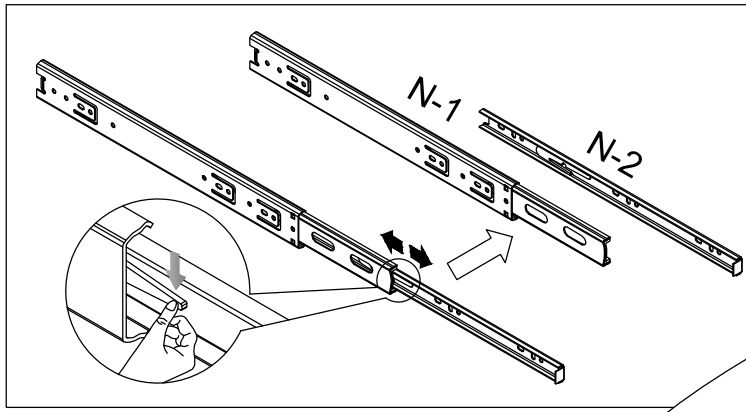


Z1=10

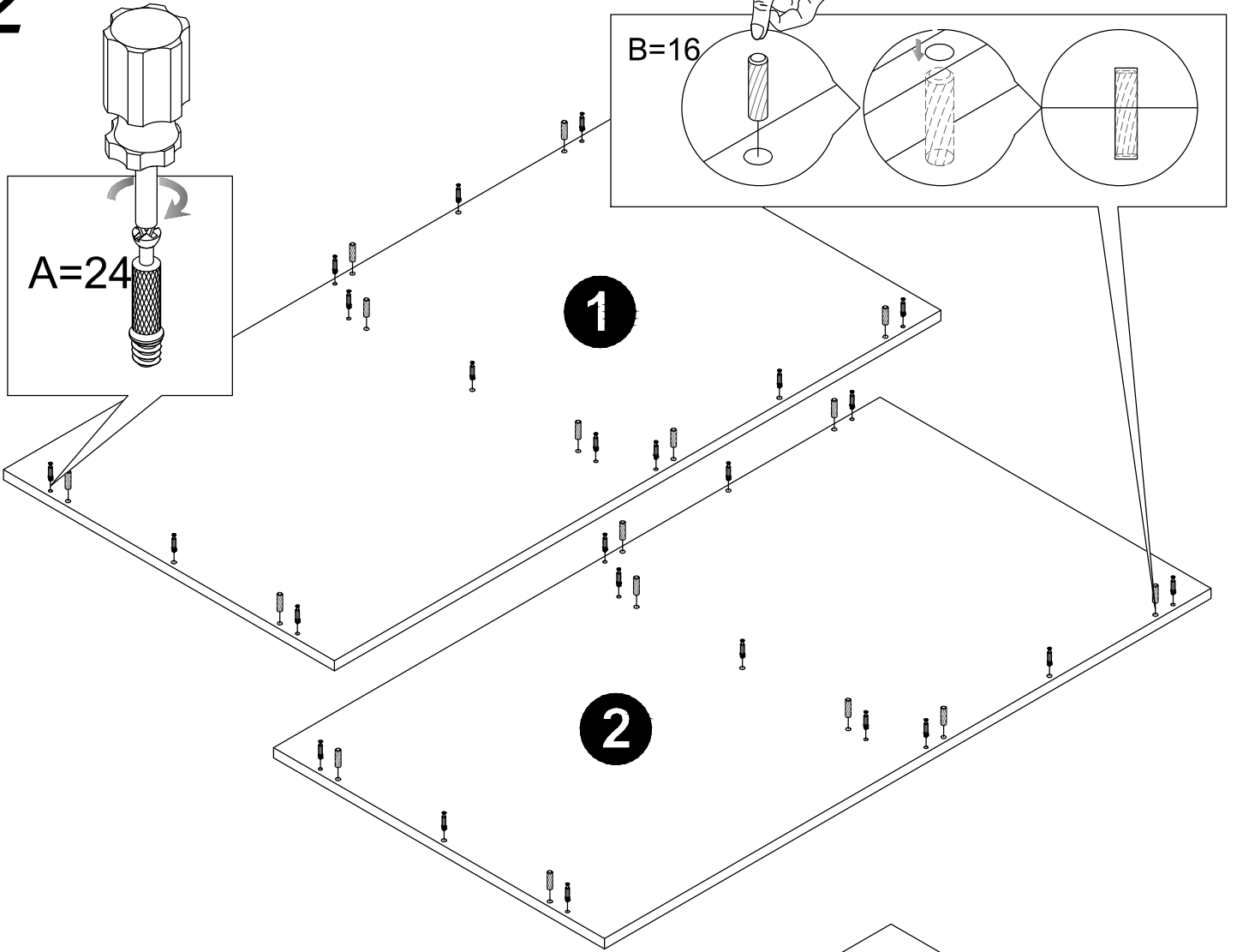


Z2=10

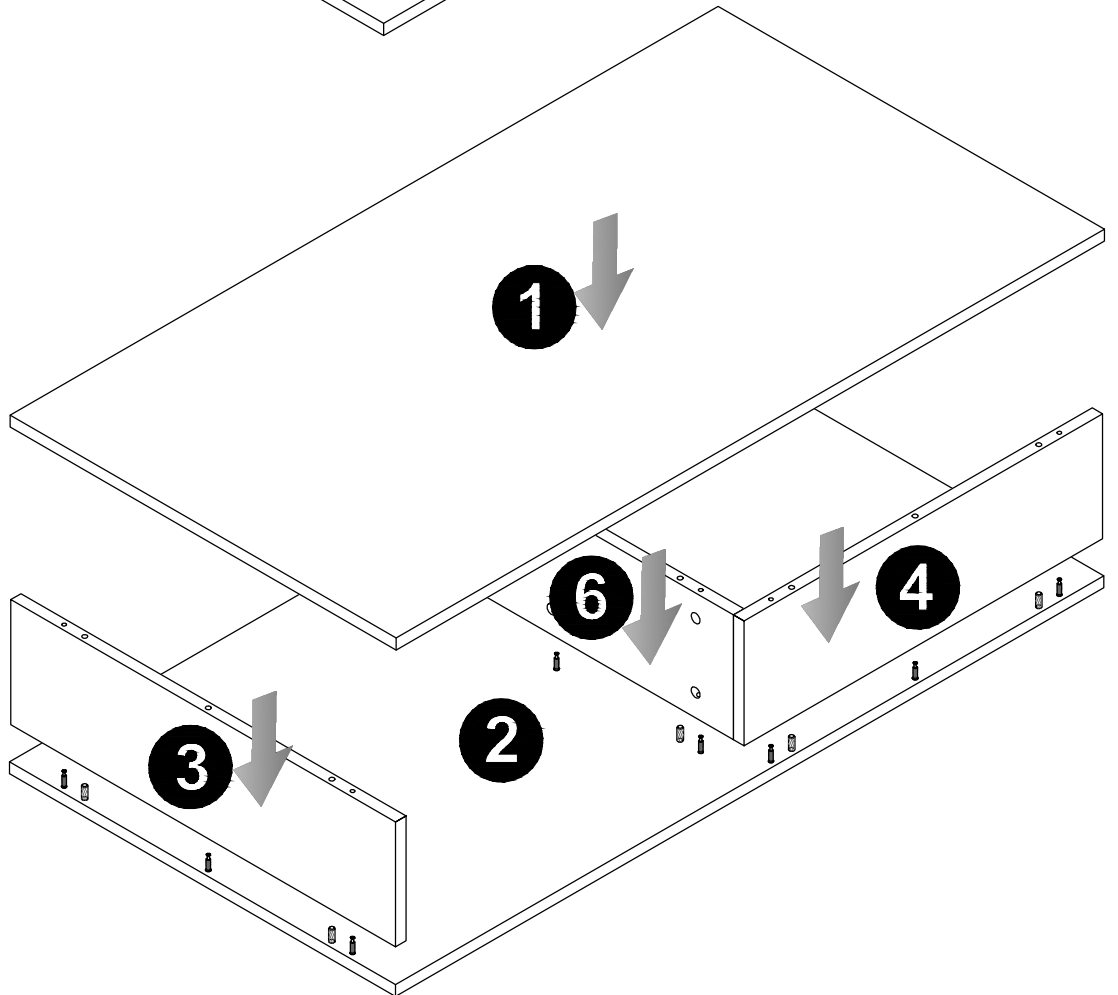
1



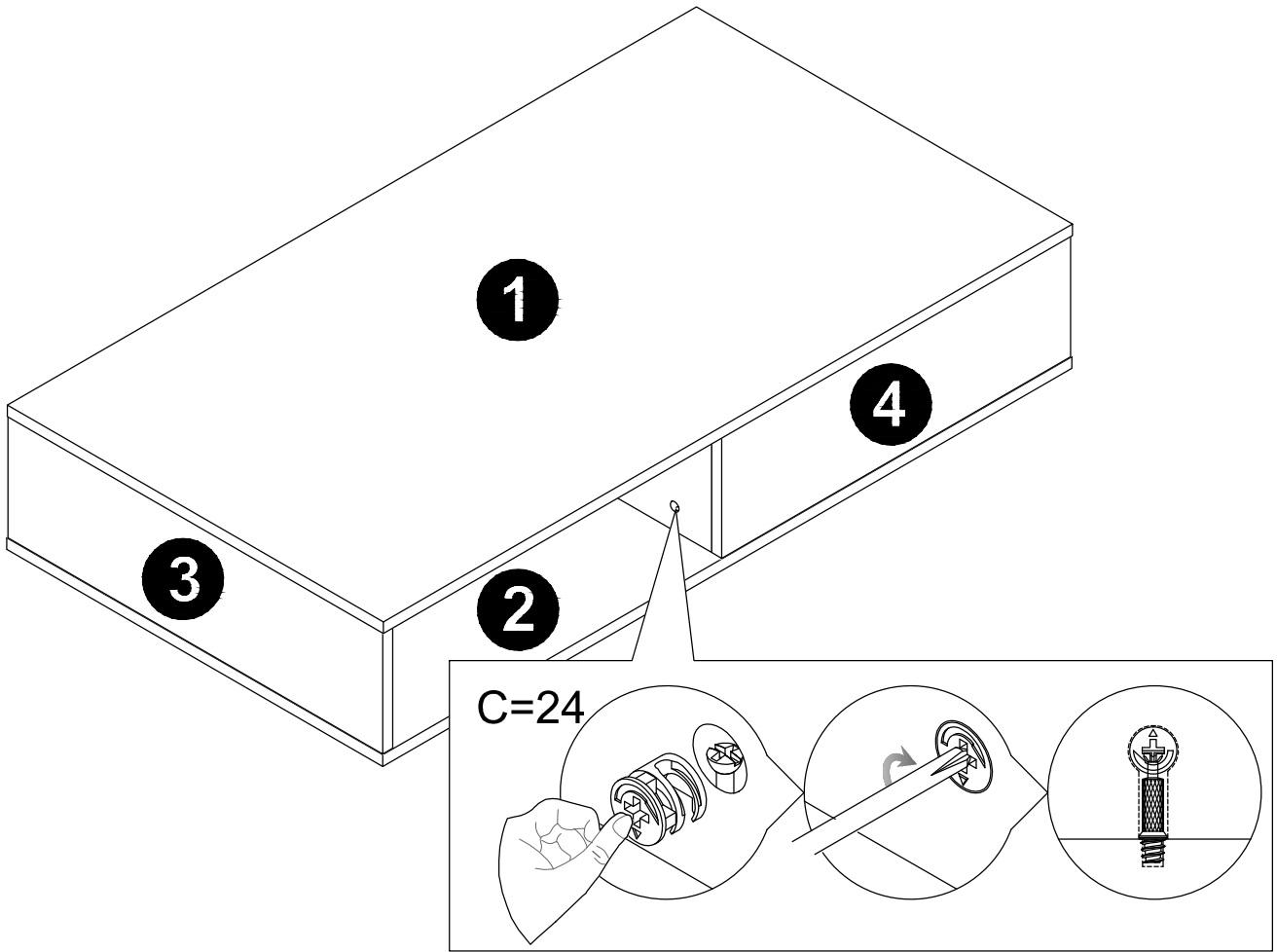
2



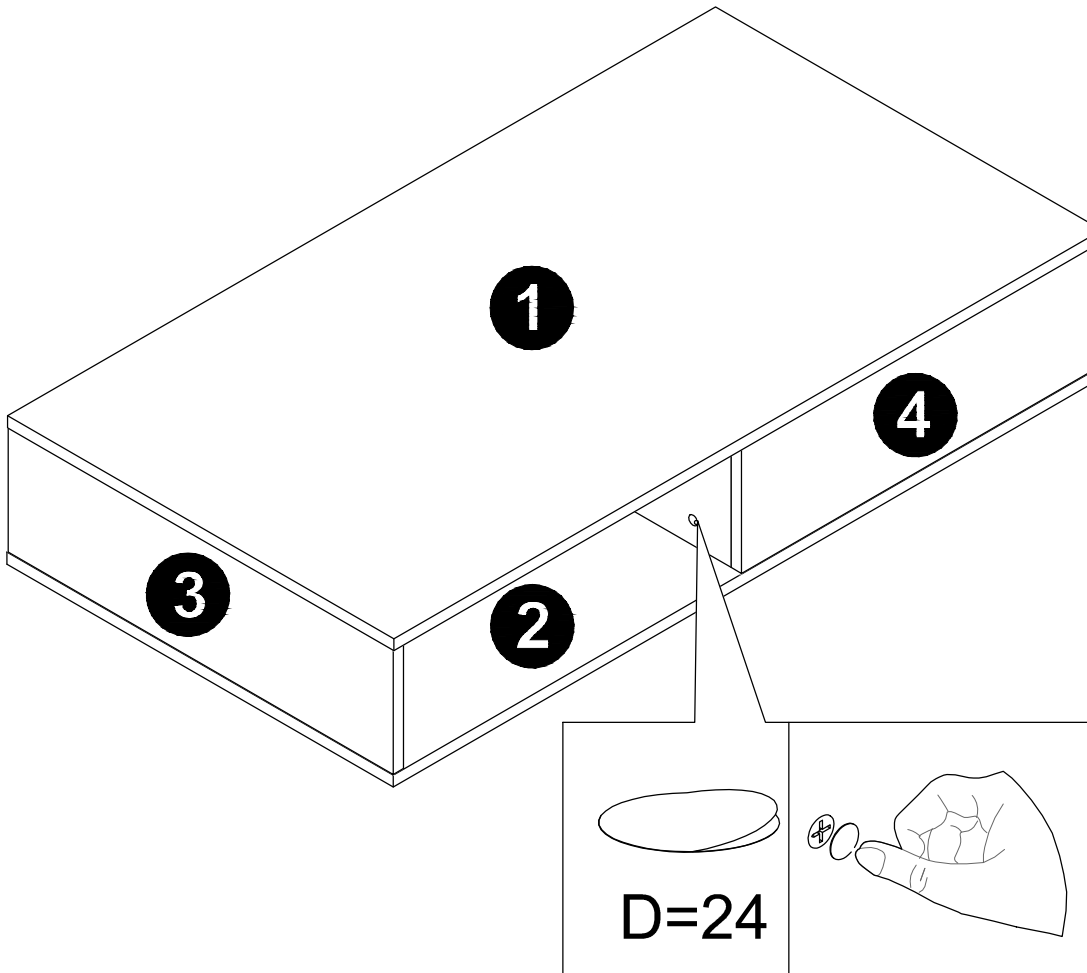
3



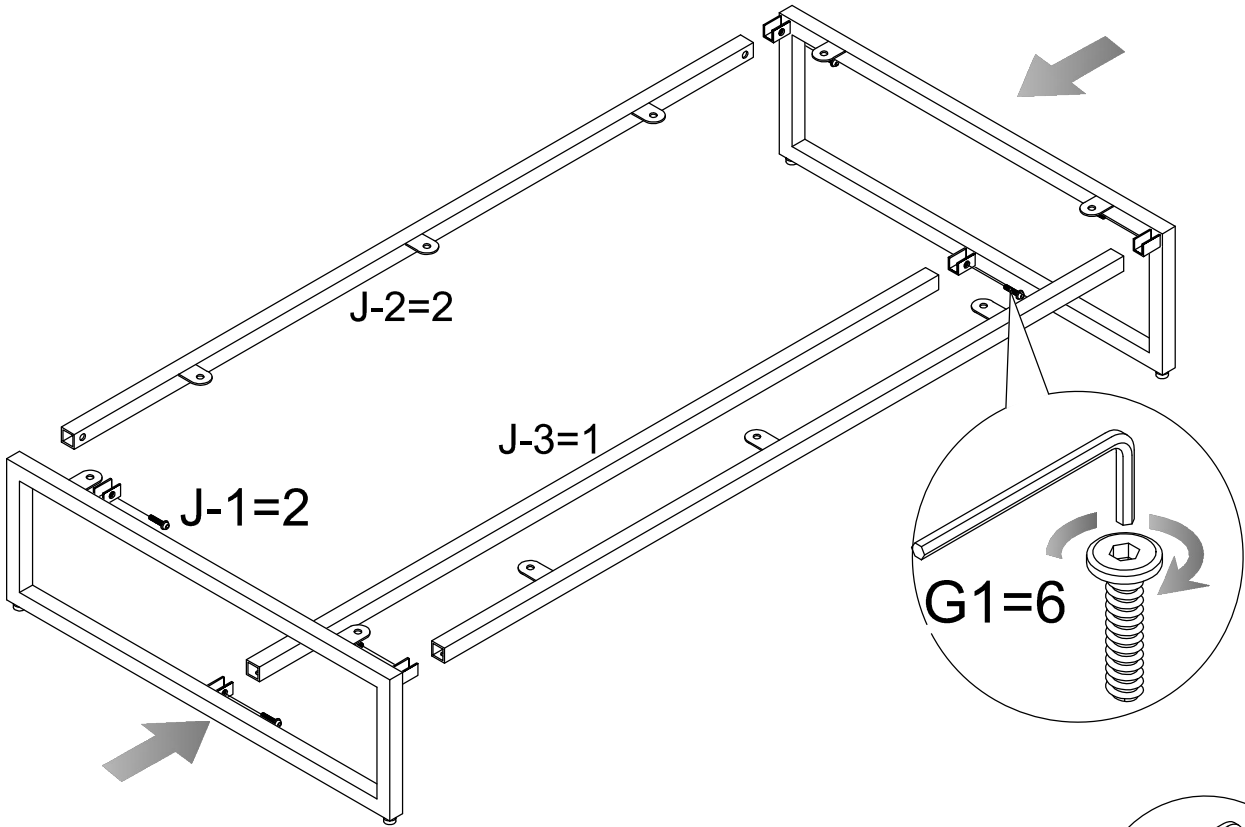
4



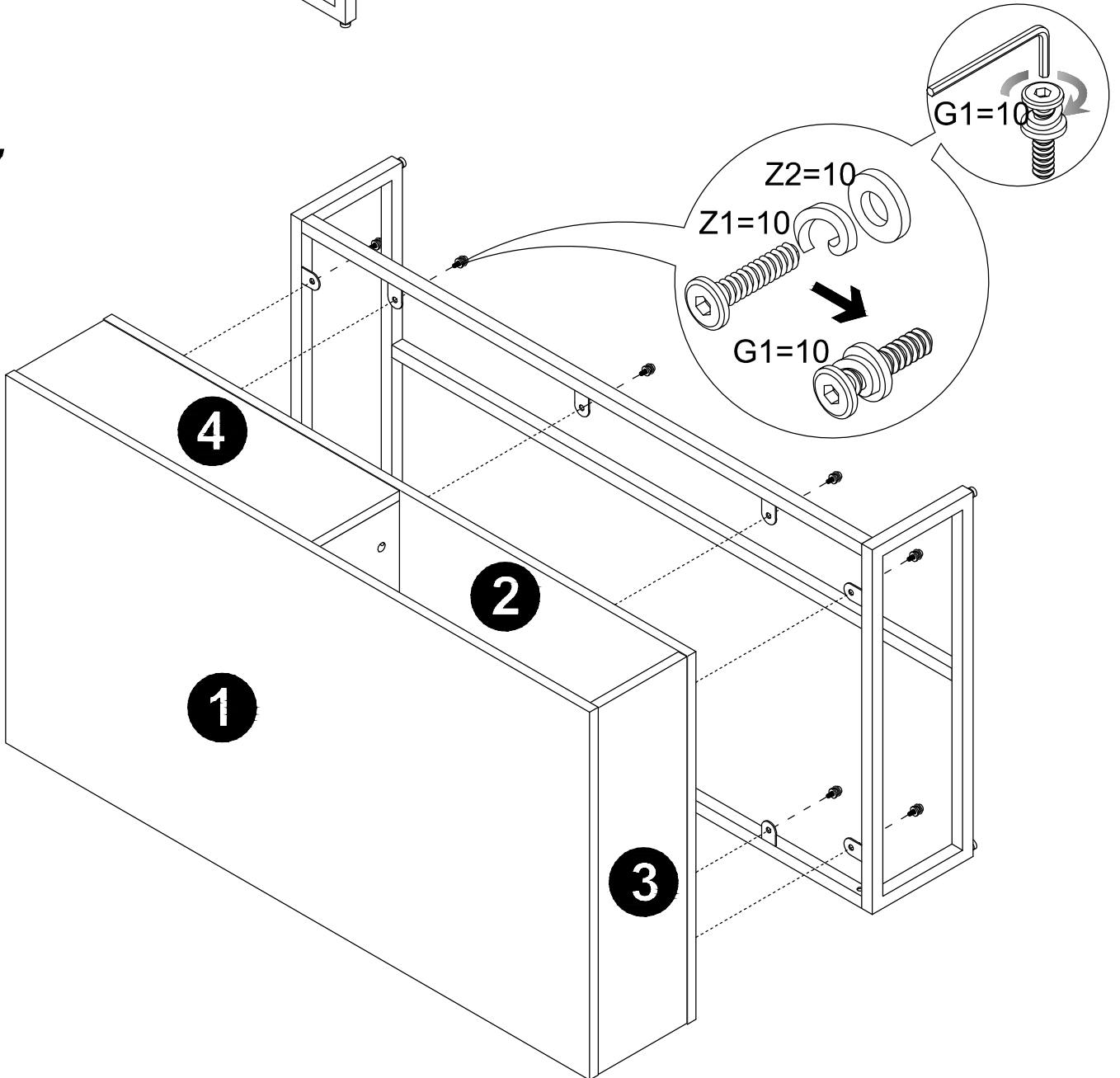
5



6



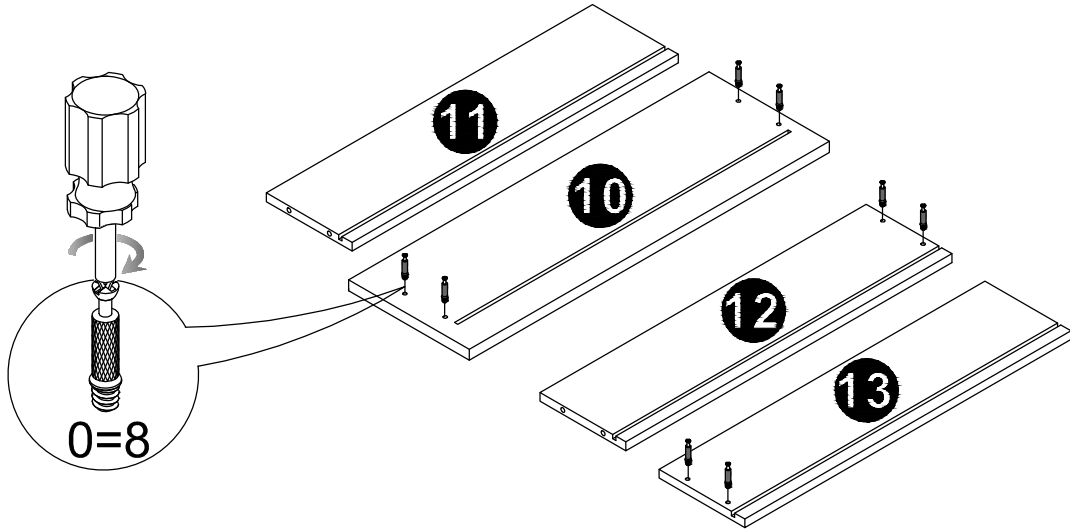
7



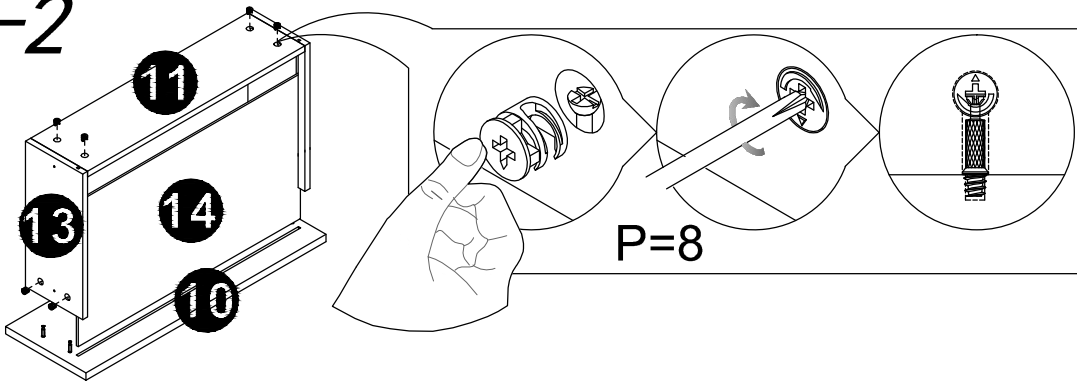


# 8

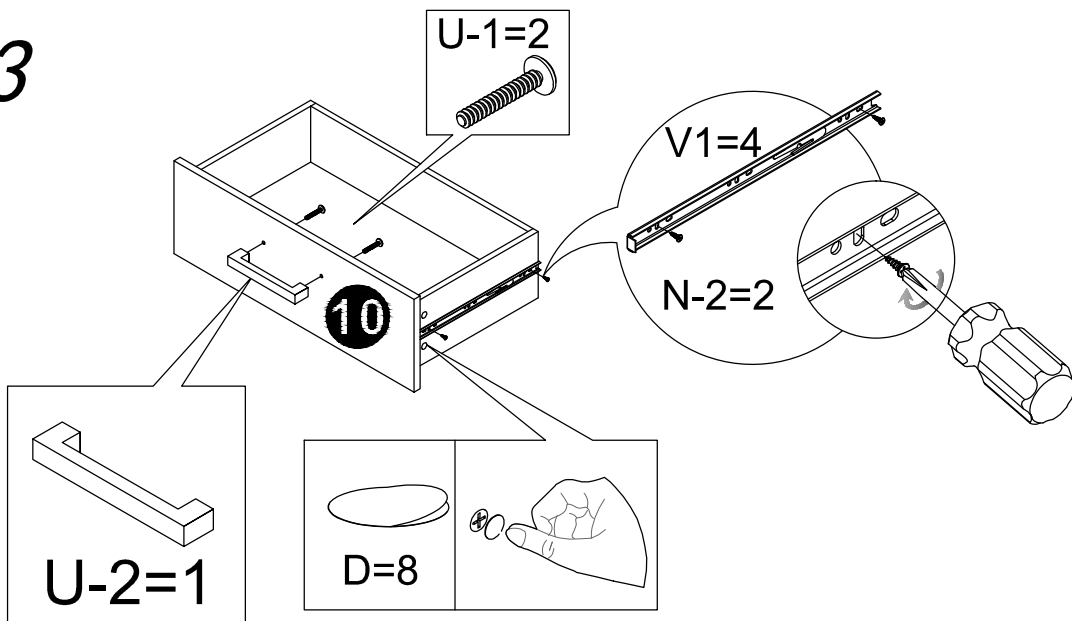
8-1



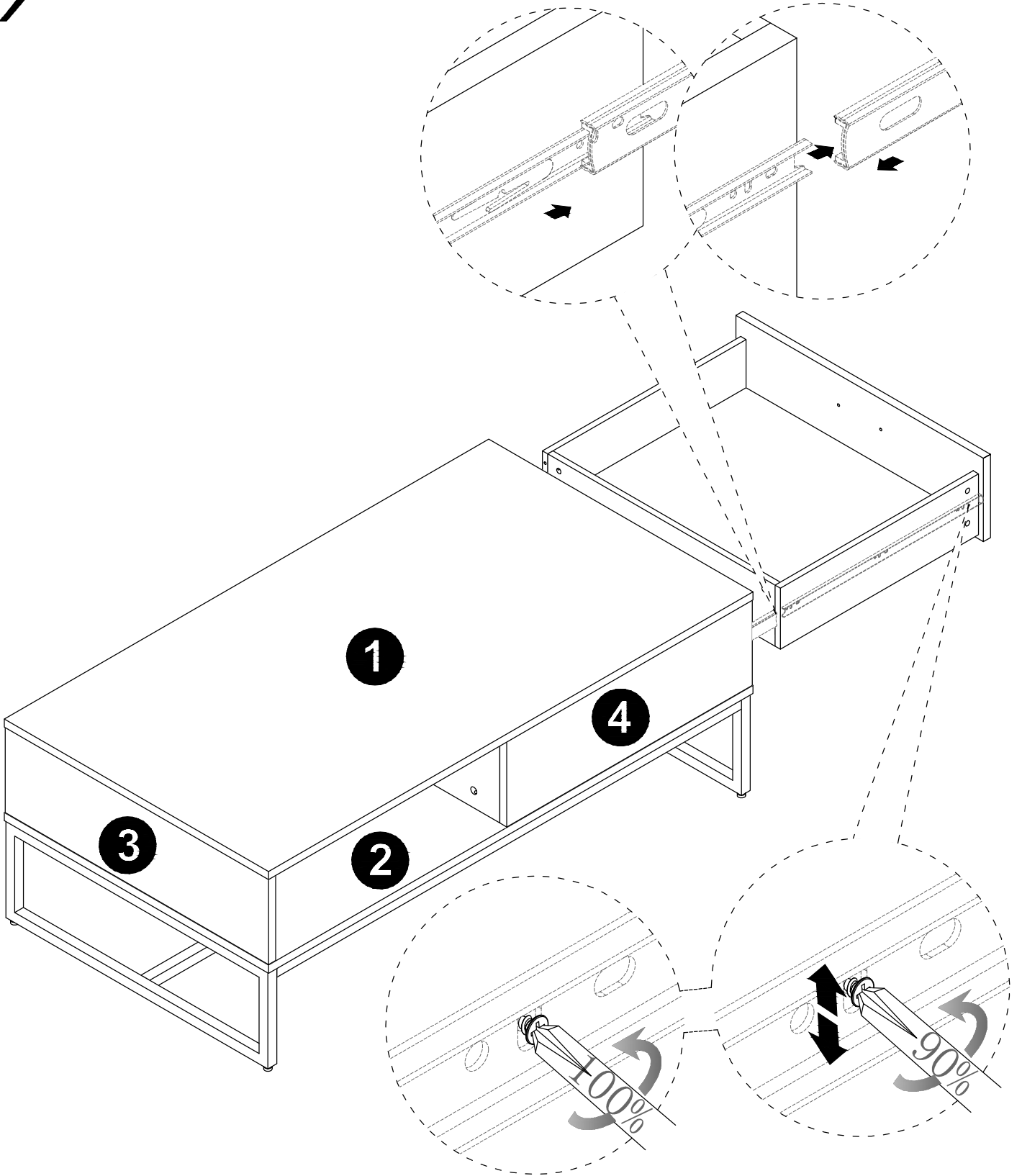
8-2



8-3

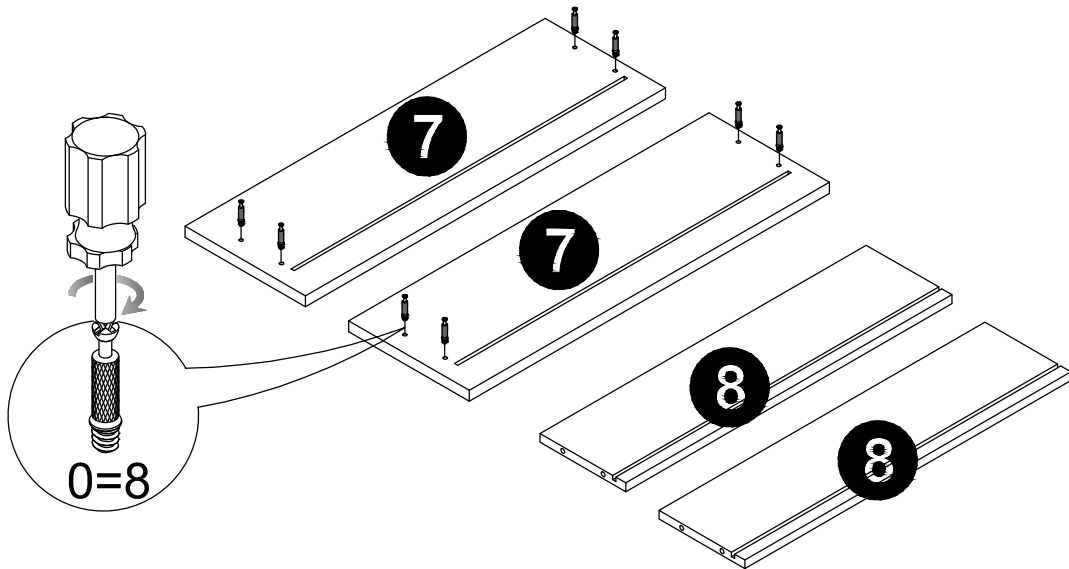


9

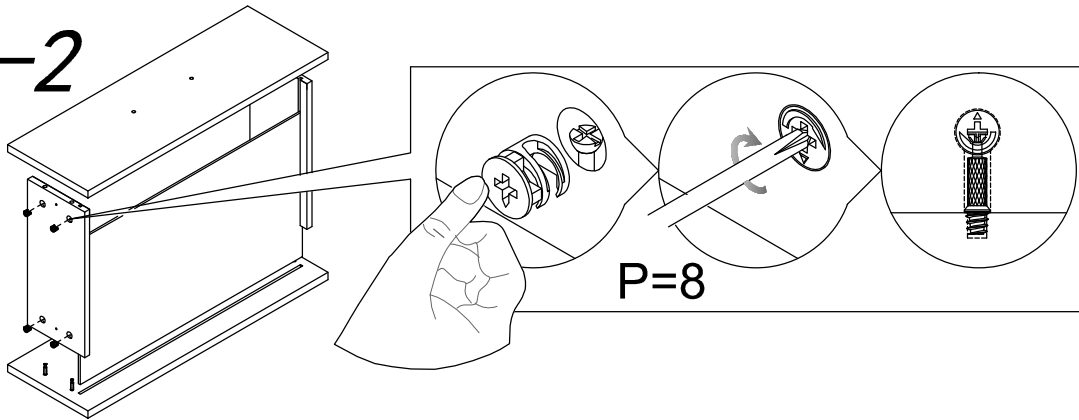


# 10

10-1



10-2



10-3

