

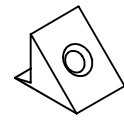

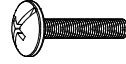
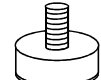
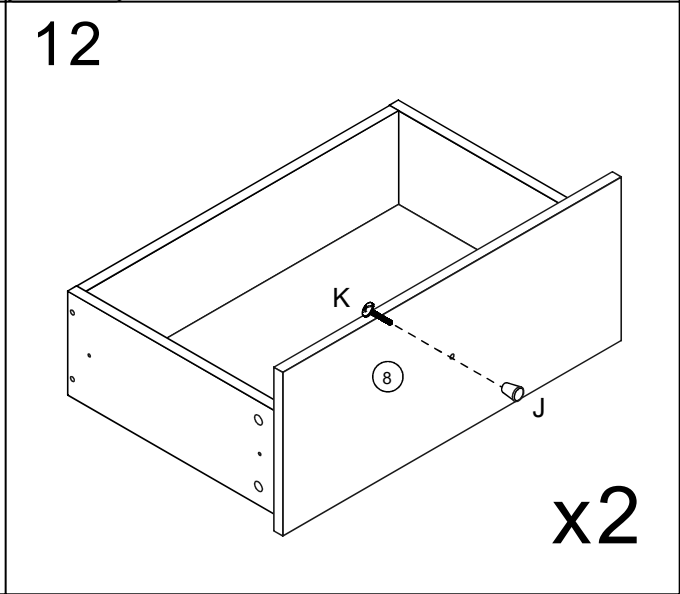
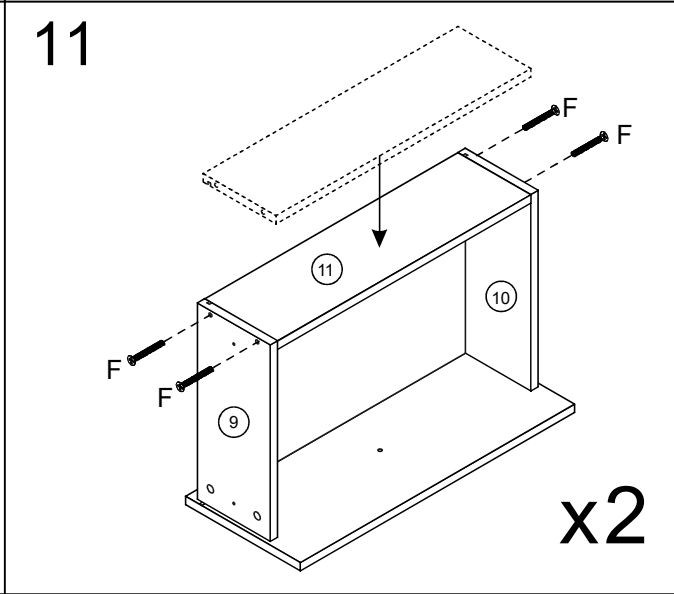
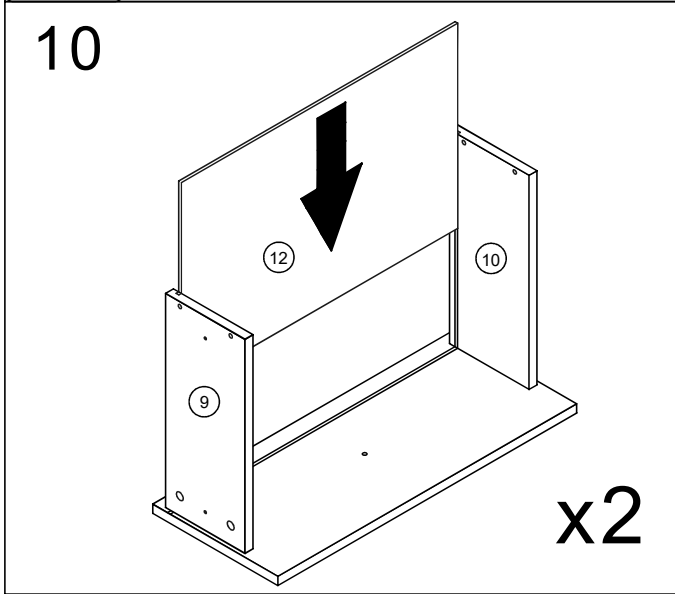
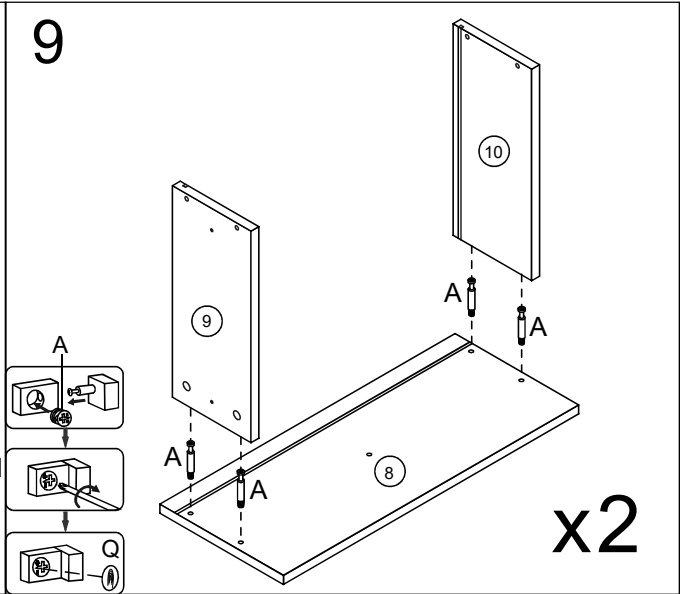
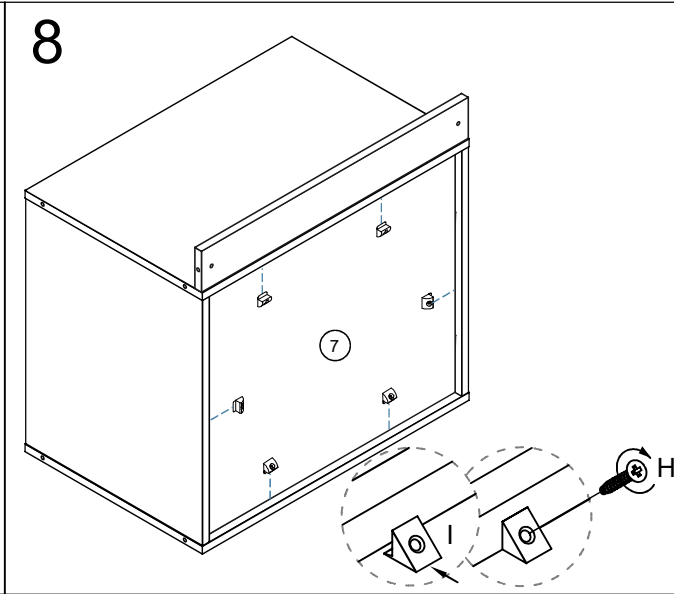
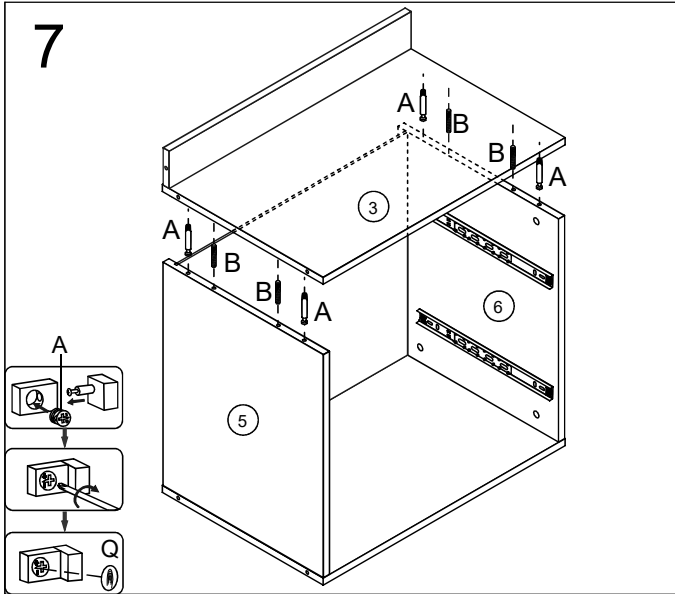


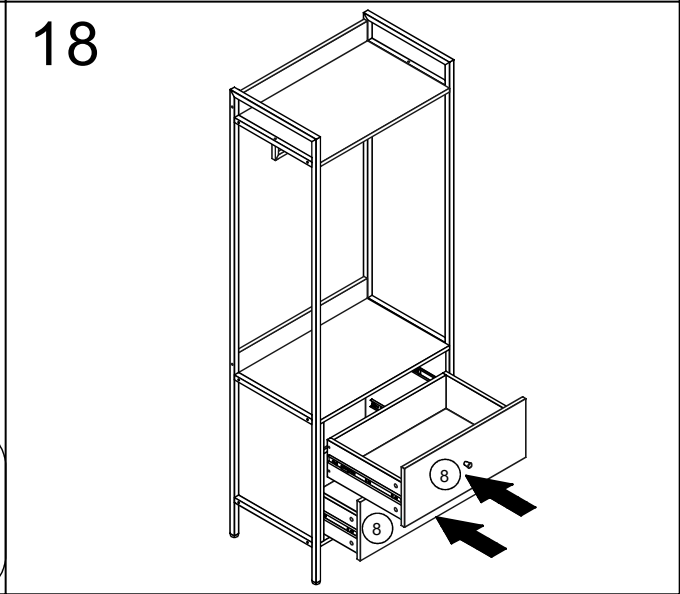
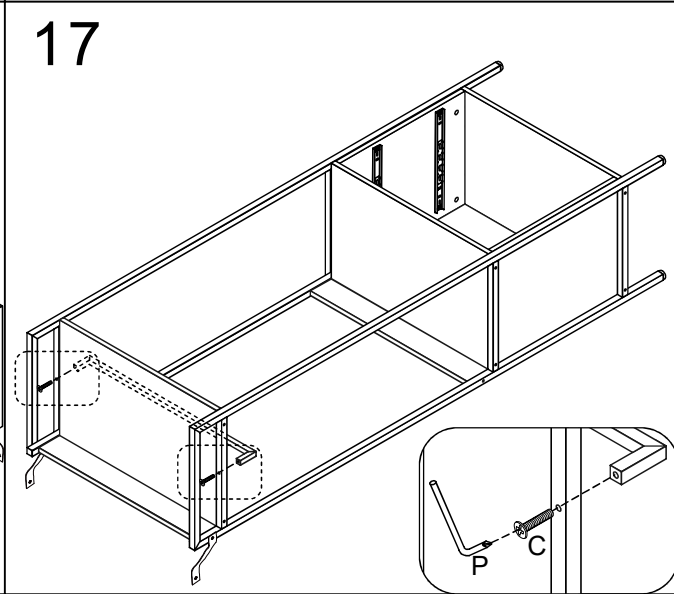
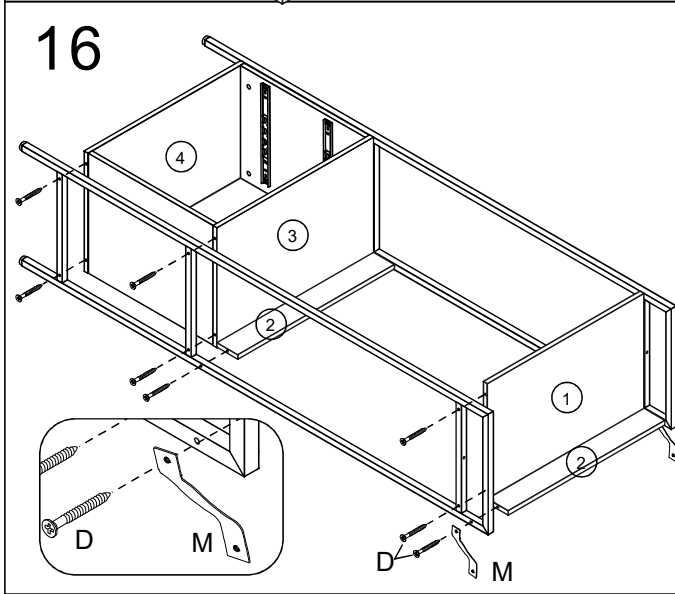
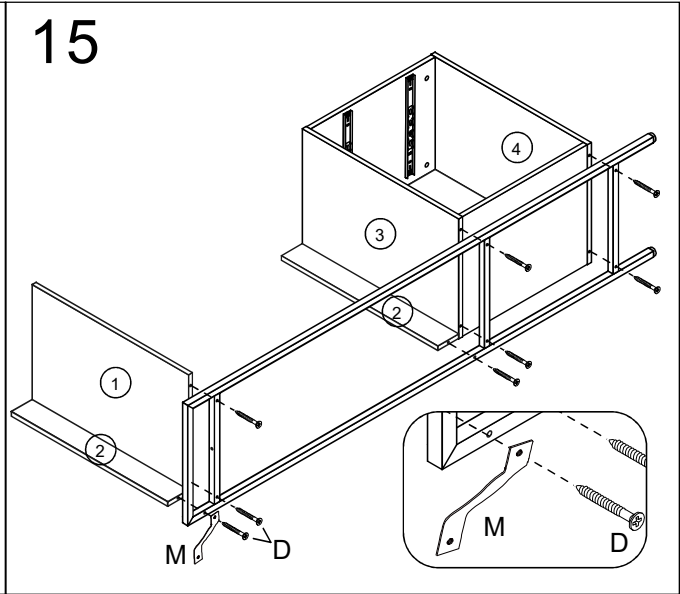
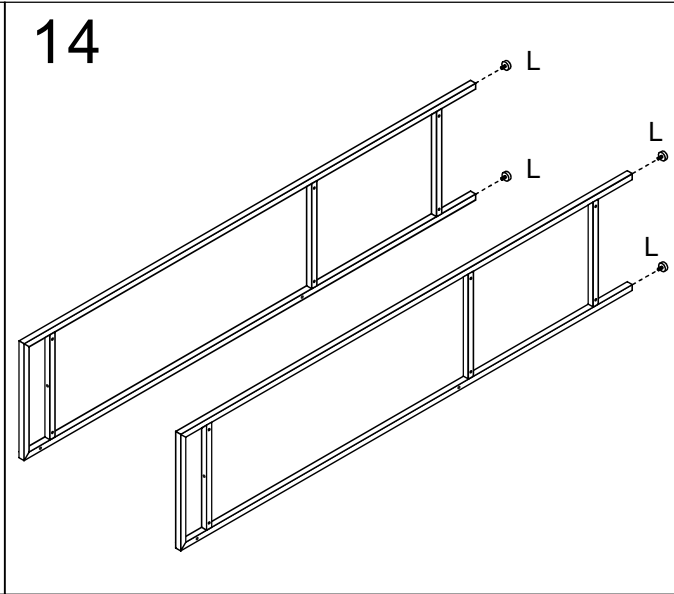
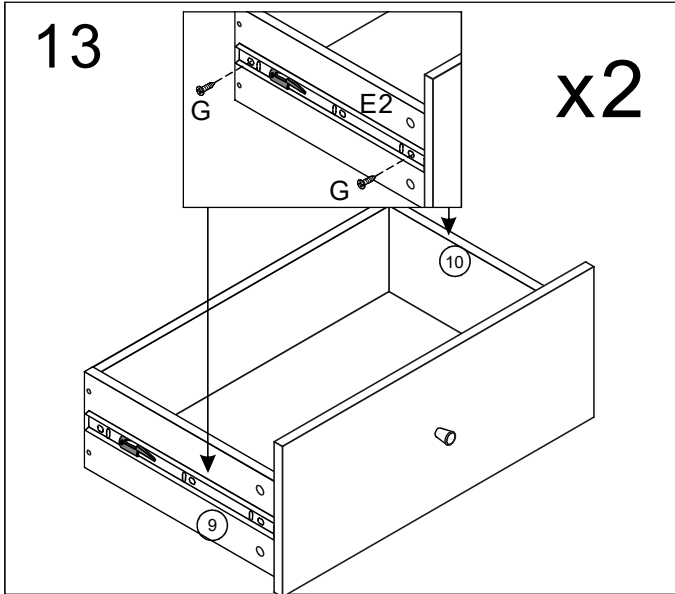


<p>G</p>  <p>ST3. 5X12mm 16pcs</p>	<p>H</p>  <p>ST3. 5X18mm 6pcs</p>	<p>I</p>  <p>6pcs</p>	<p>J</p>  <p>2pcs</p>	<p>K</p>  <p>M4X18mm 2pcs</p>	<p>L</p>  <p>M8x20x10mm 4pcs</p>
--	---	--	---	---	--

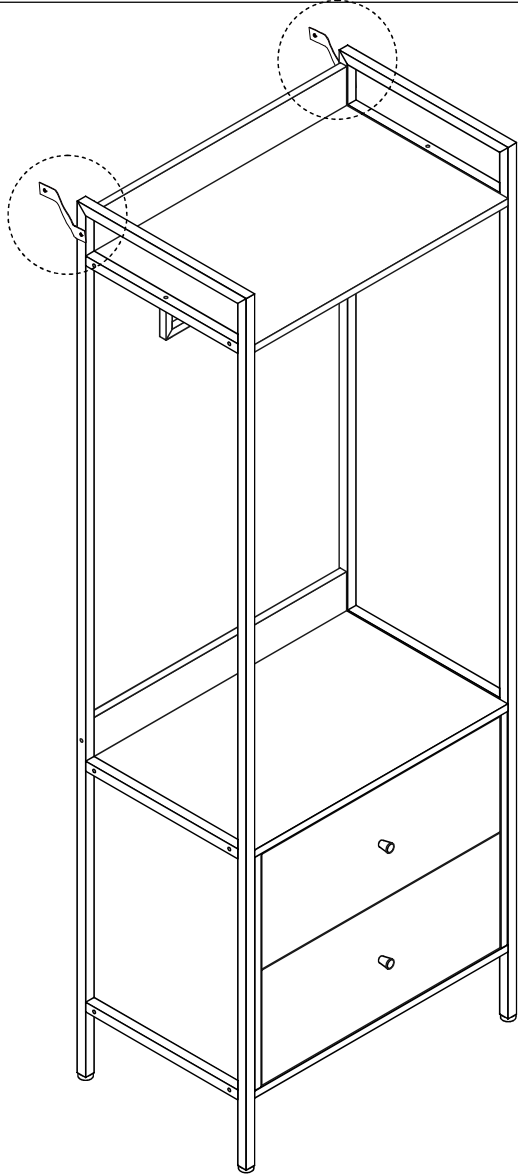
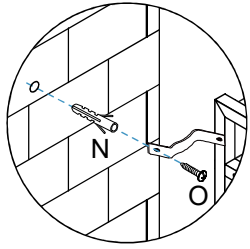


<p>M</p>  <p>2pcs</p>	<p>N</p>  <p>2pcs</p>	<p>O</p>  <p>ST4X25mm 2pcs</p>	<p>P</p>  <p>1pc</p>	<p>Q</p>  <p>16pcs</p>
---	---	---	--	--



--	--	--	--	--	--

19



20

