

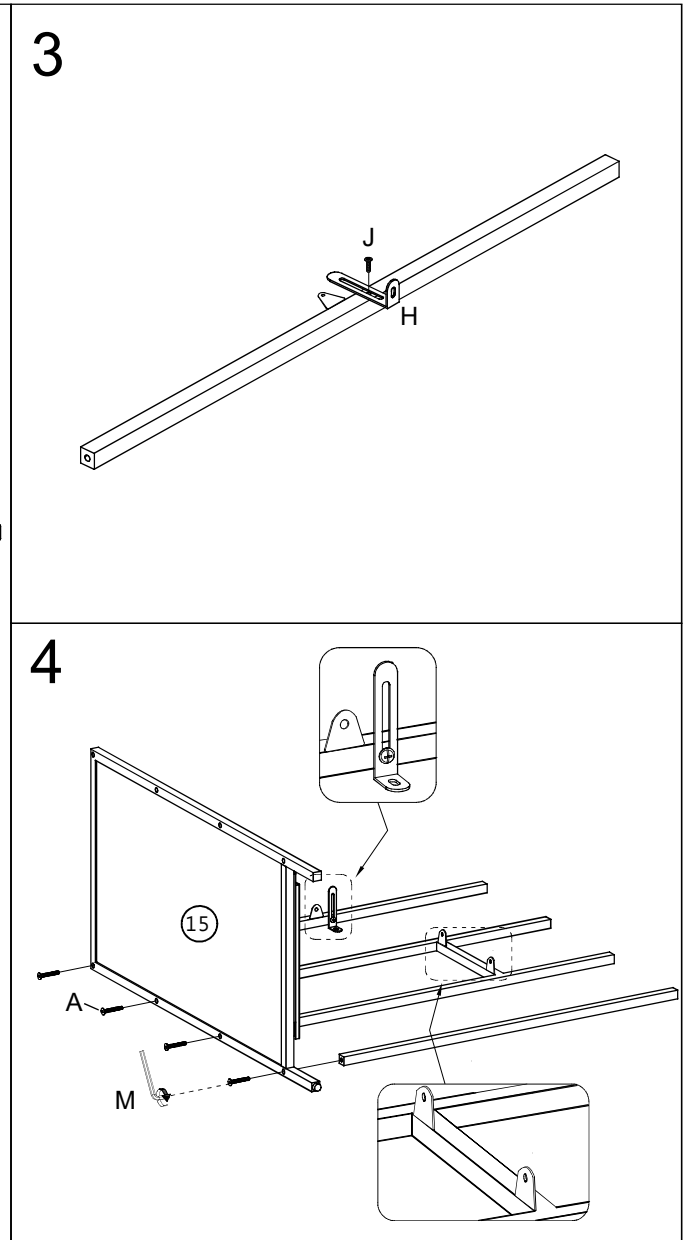
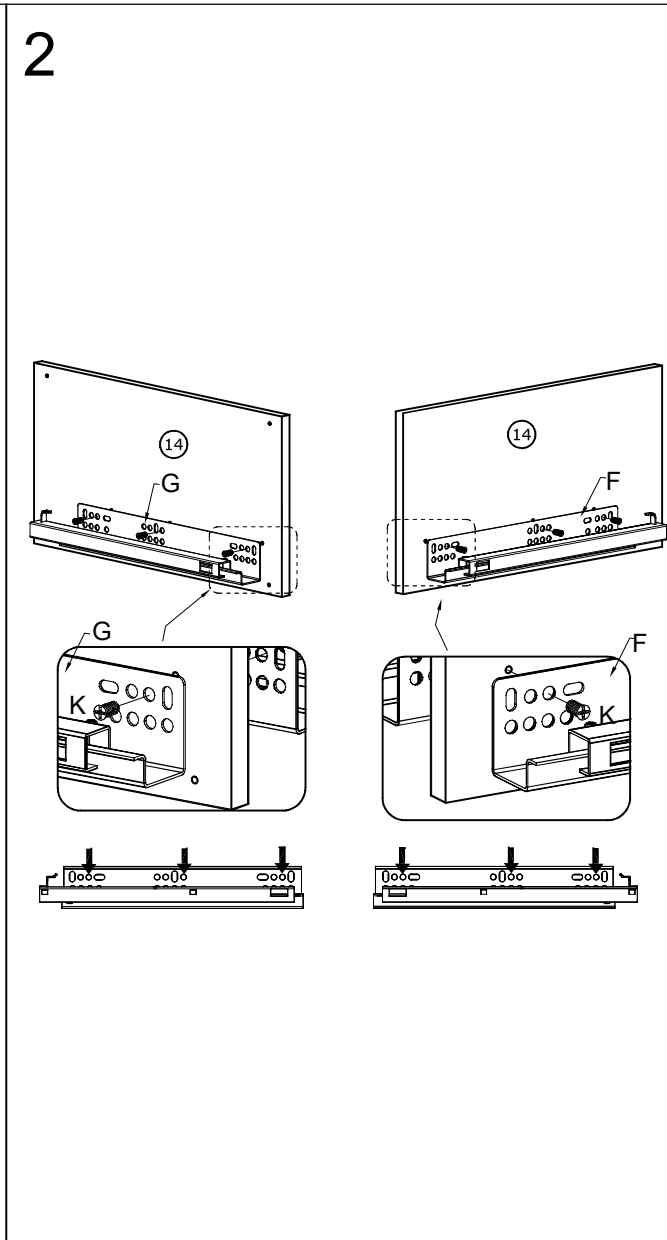
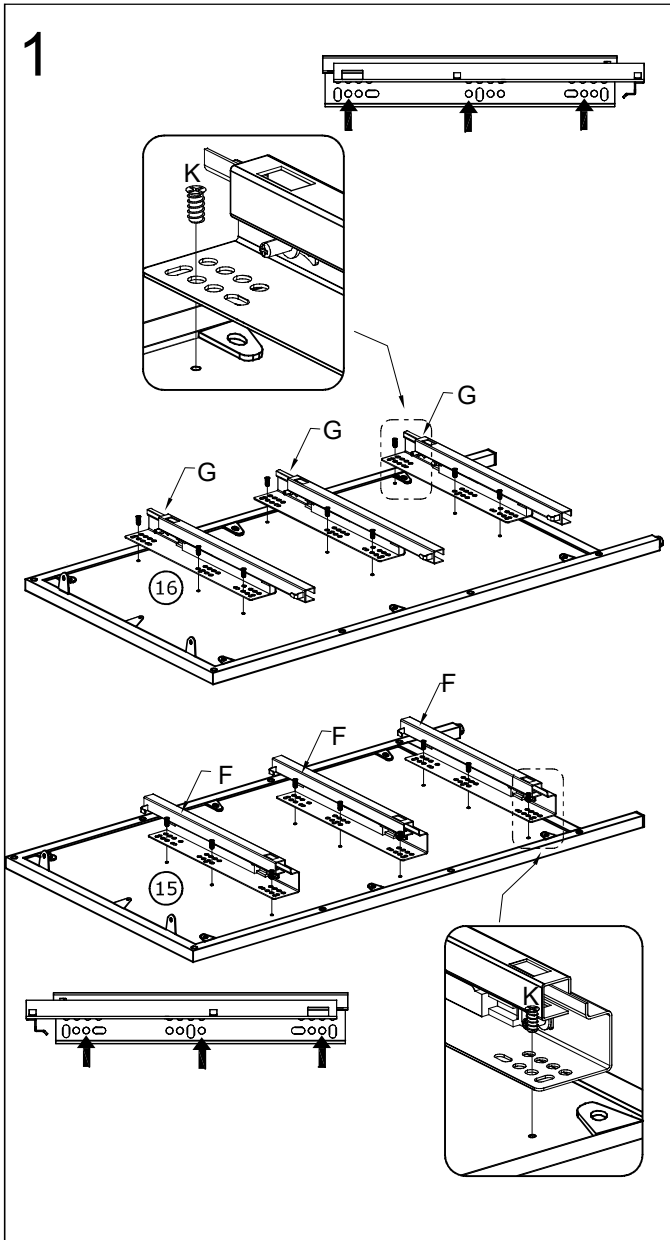
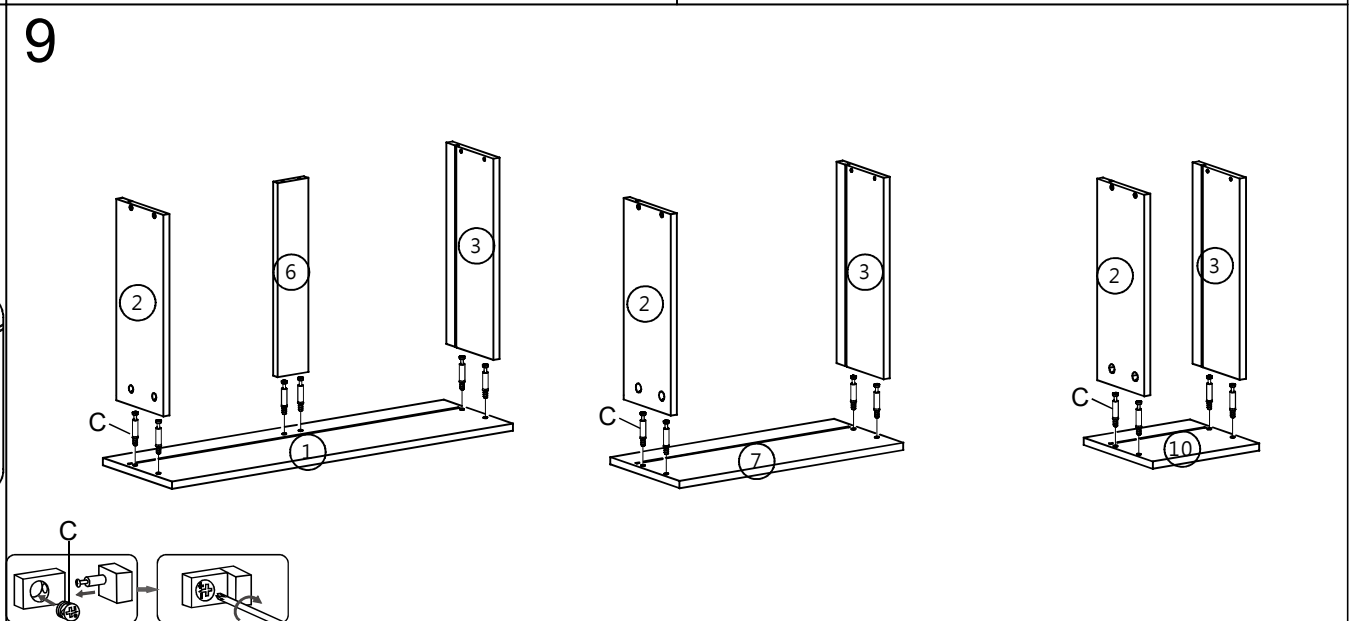
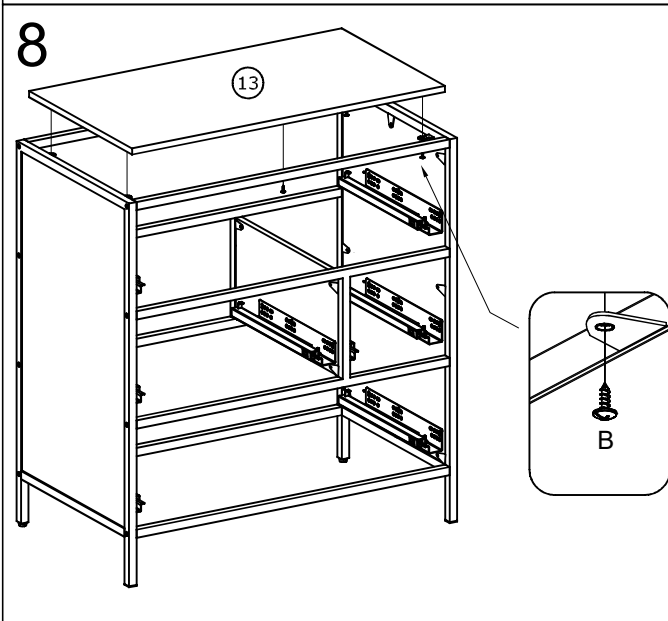
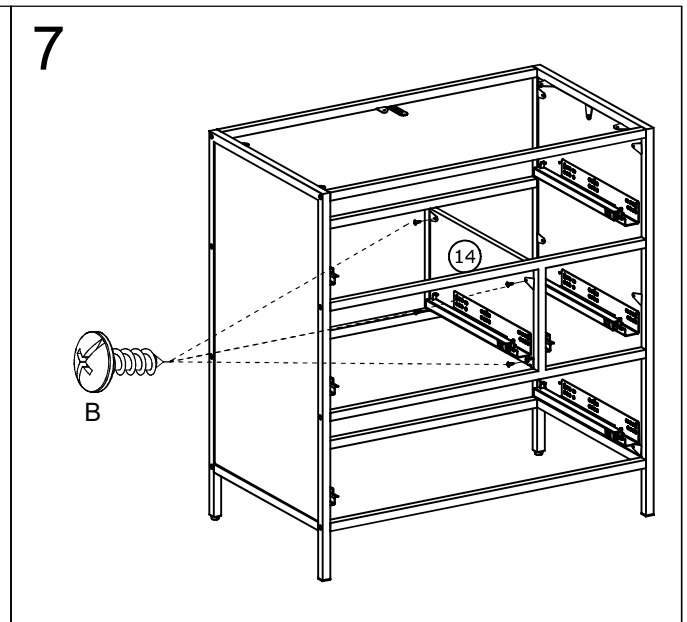
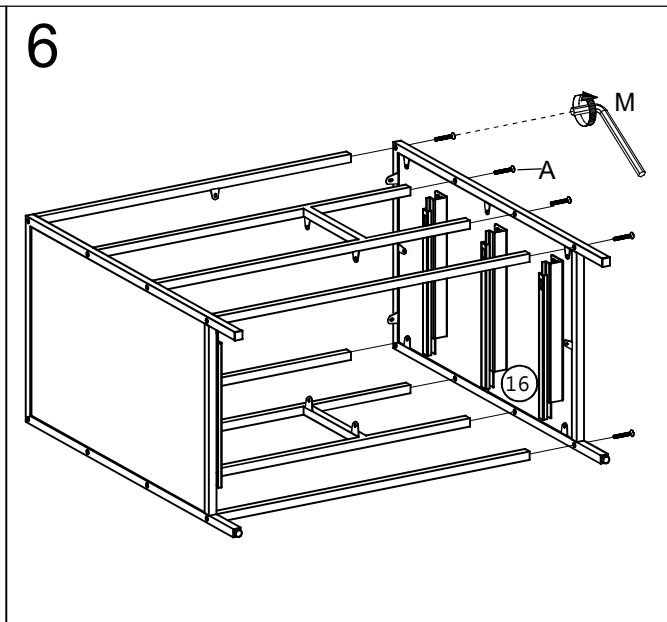
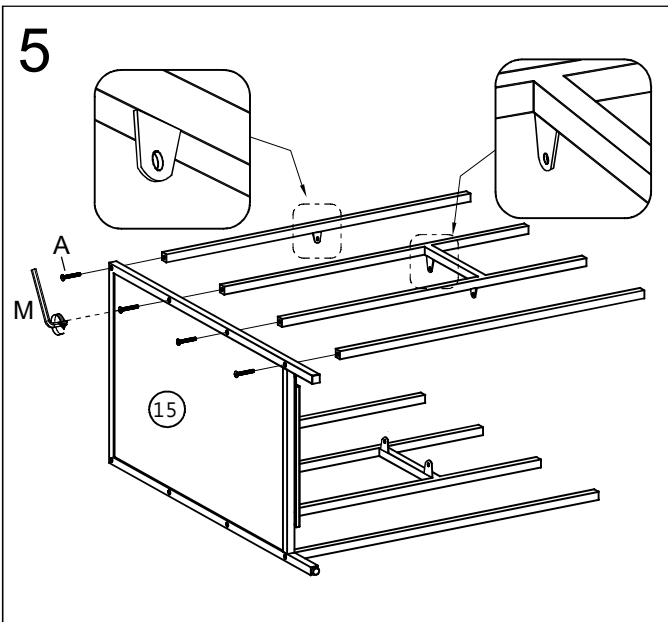
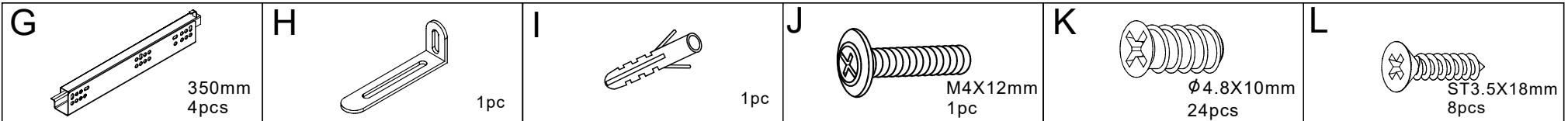
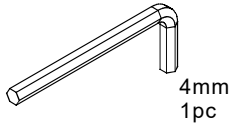


<p>A</p>  <p>M6X35mm 16pcs</p>	<p>B</p>  <p>ST4X12mm 10pcs</p>	<p>C</p>  <p>20pcs</p>	<p>D</p>  <p>ST4X25mm 1pc</p>	<p>E</p>  <p>ST4X35mm 20pcs</p>	<p>F</p>  <p>350mm 4pcs</p>
--	---	---	---	---	--

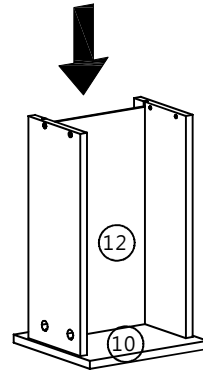
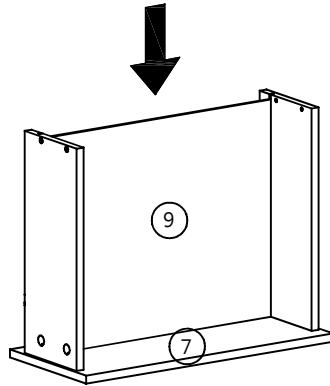
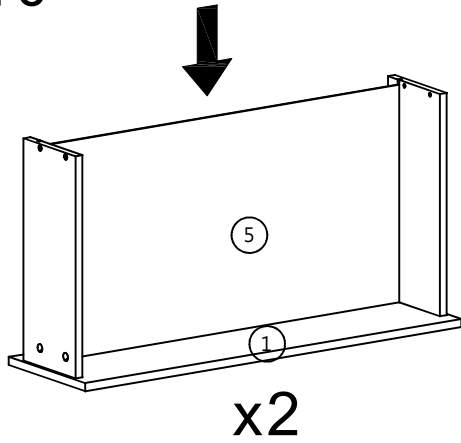




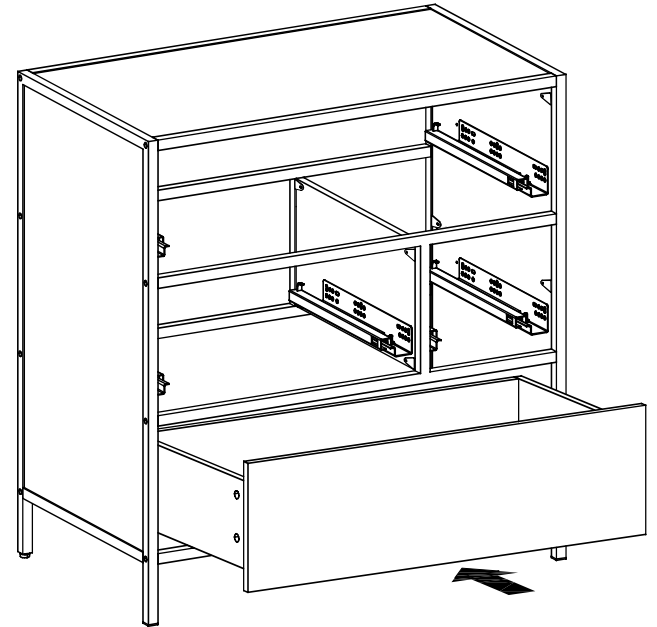
M



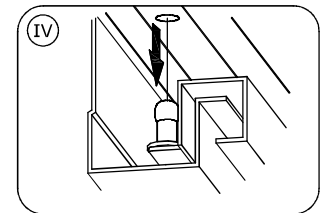
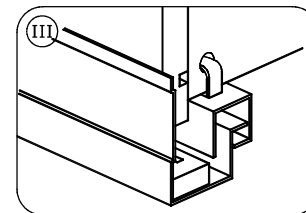
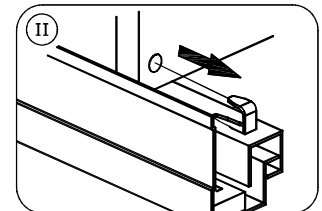
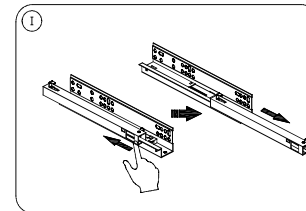
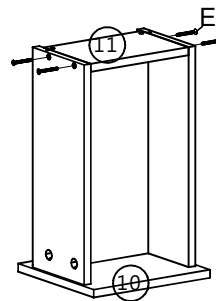
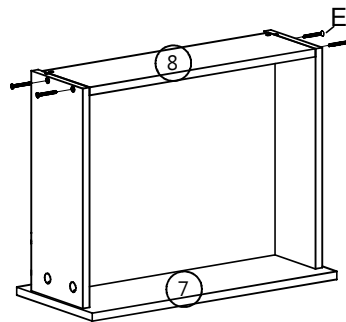
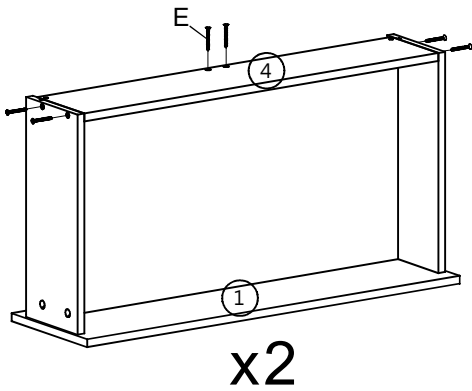
10



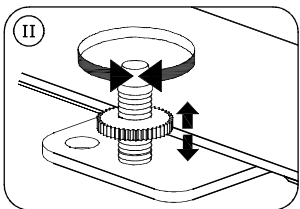
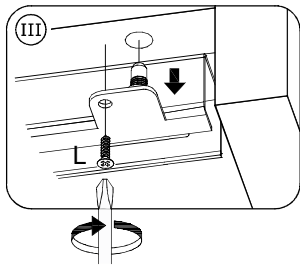
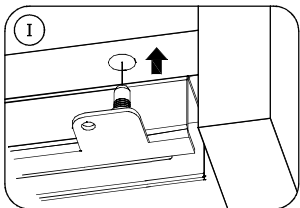
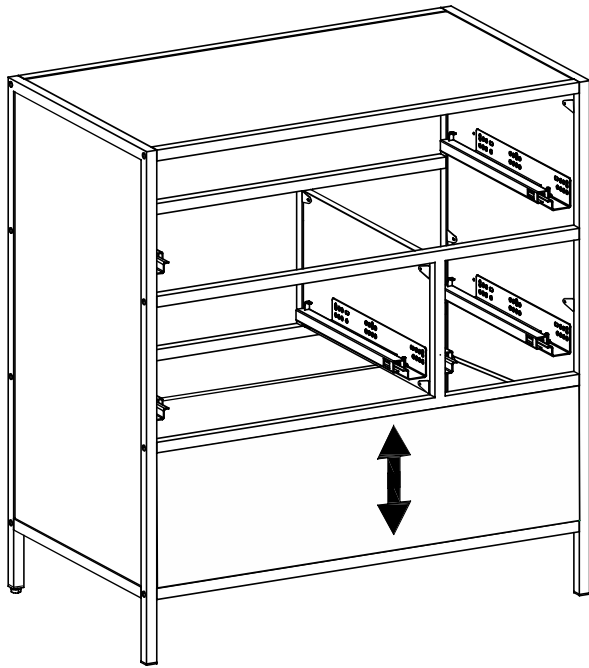
12



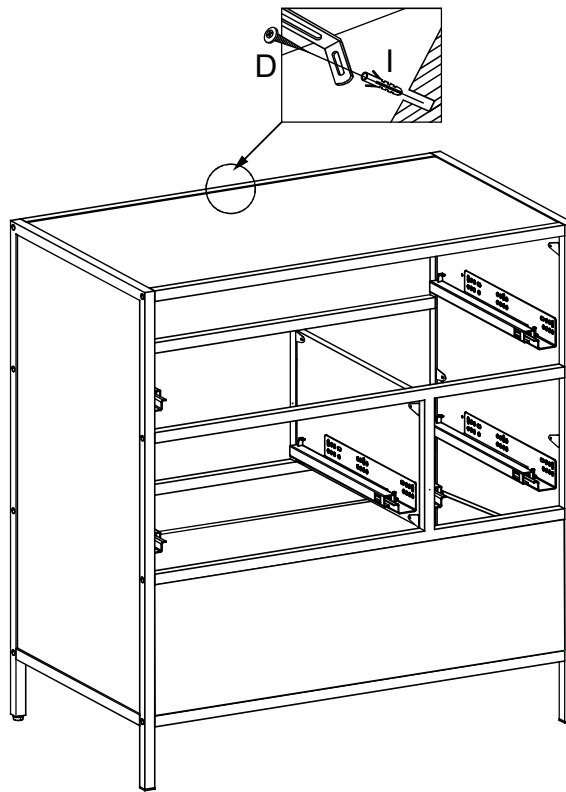
11



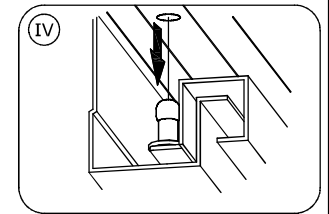
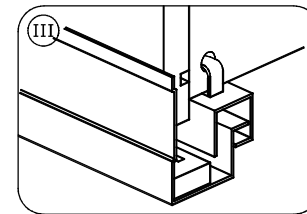
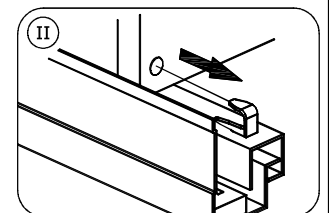
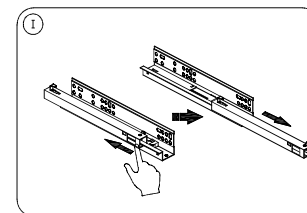
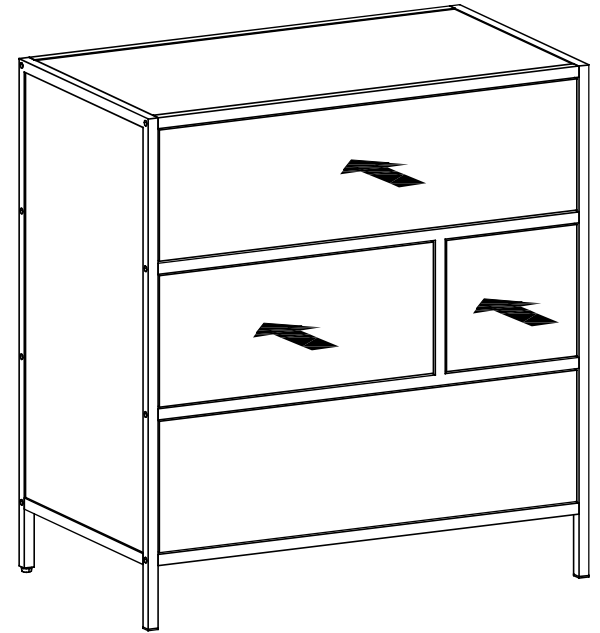
13



14

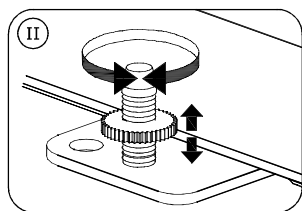
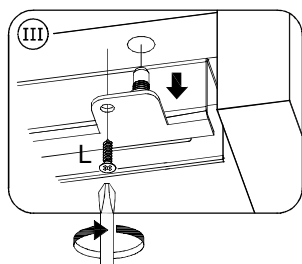
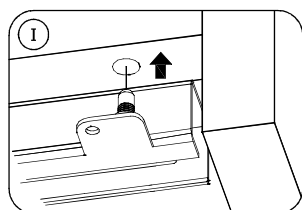
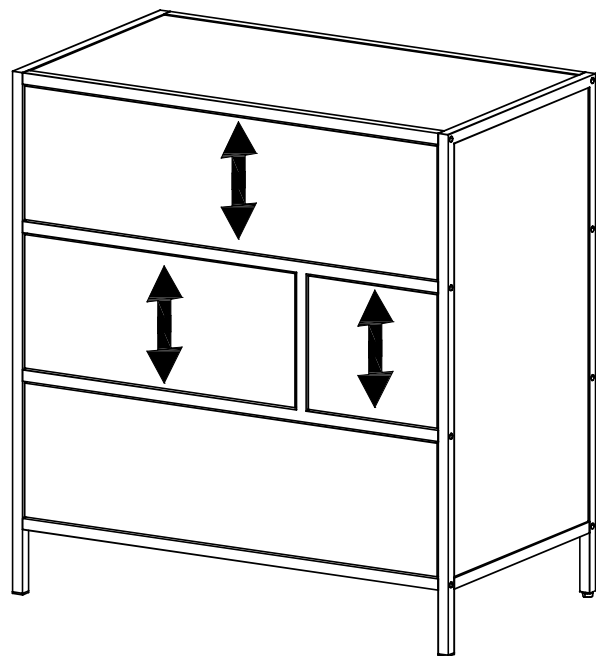


15



--	--	--	--	--	--

16



17

