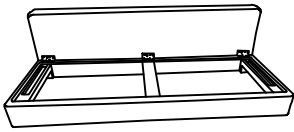
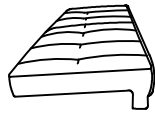


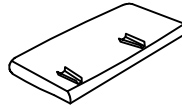
ASSEMBLY INSTRUCTION (SP335)



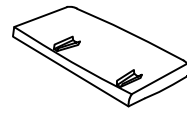
①*1



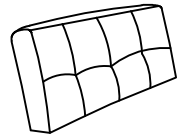
②*1



③*1



④*1



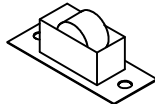
⑤*2



A*4



B*2



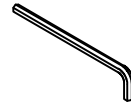
C*2



D*4

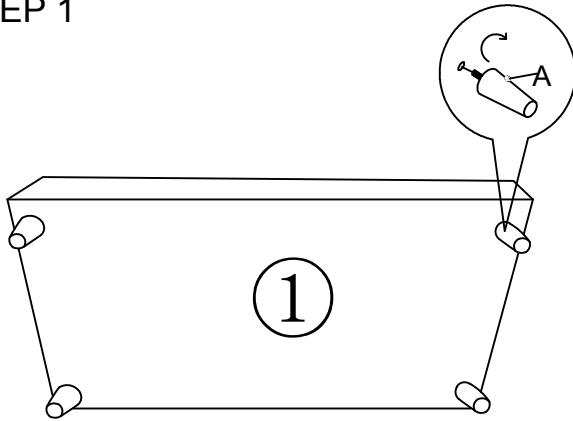


E*4

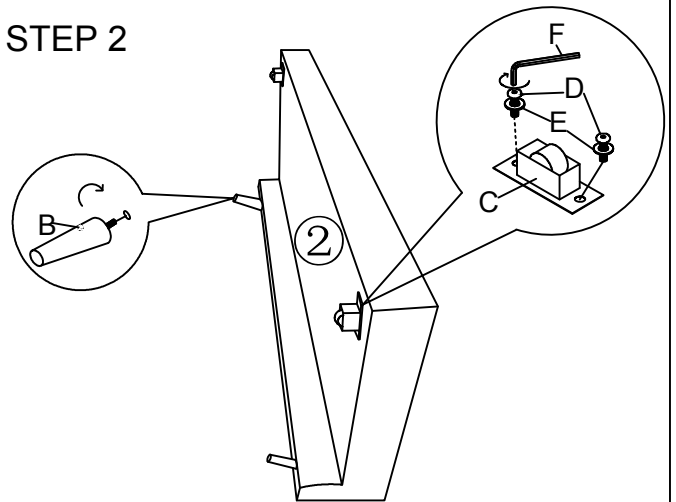


F*1

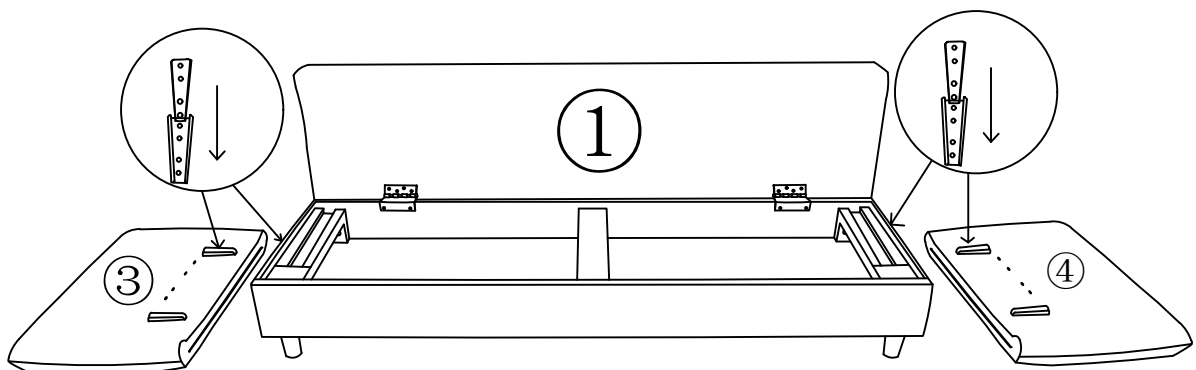
STEP 1



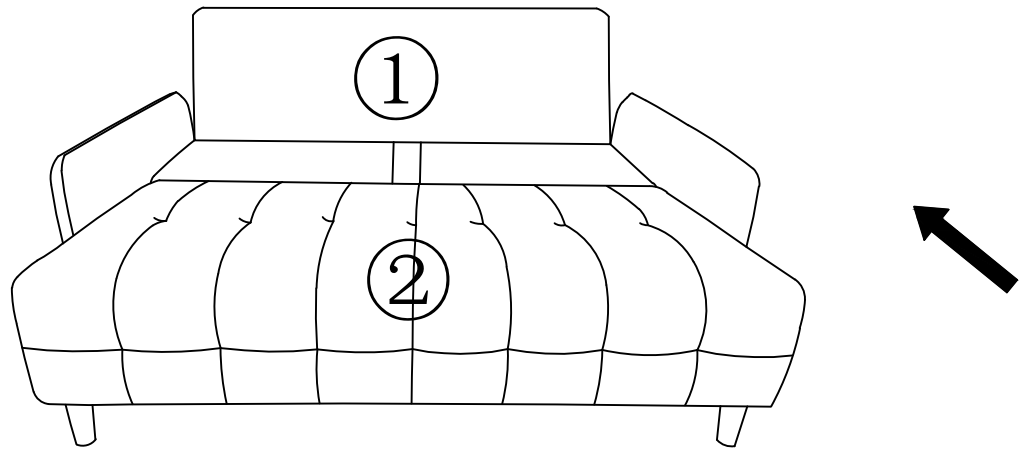
STEP 2



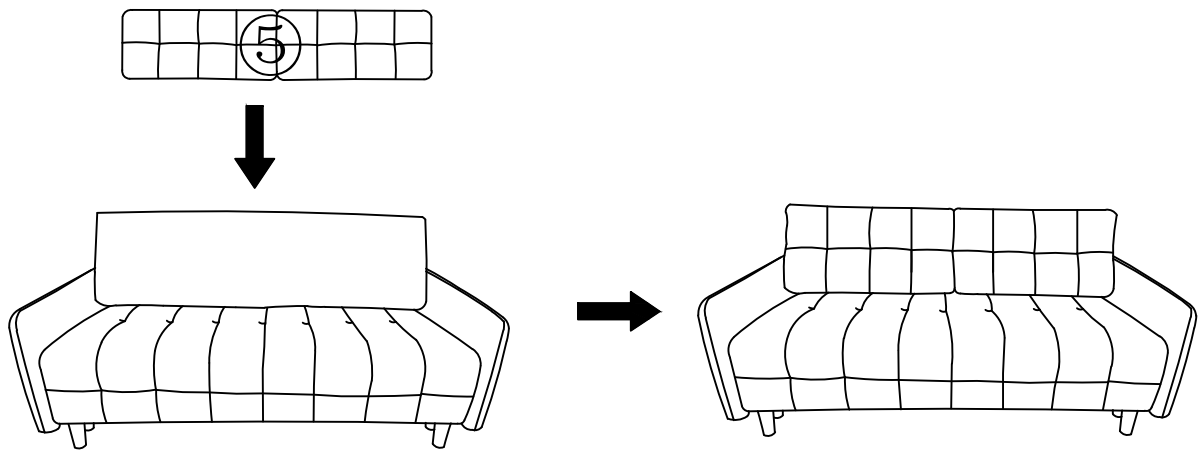
STEP 3



STEP 4



STEP 5



STEP 6

