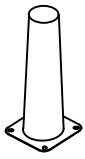
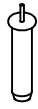


ASSEMBLY INSTRUCTION (SP332)



A ×4



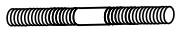
B ×1



C ×1



D ×16



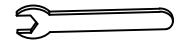
E ×8



F ×8

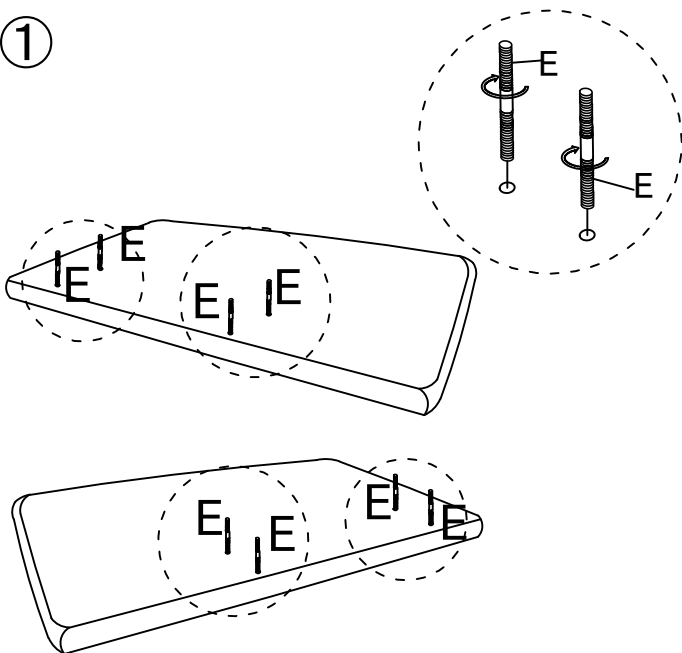


G ×8

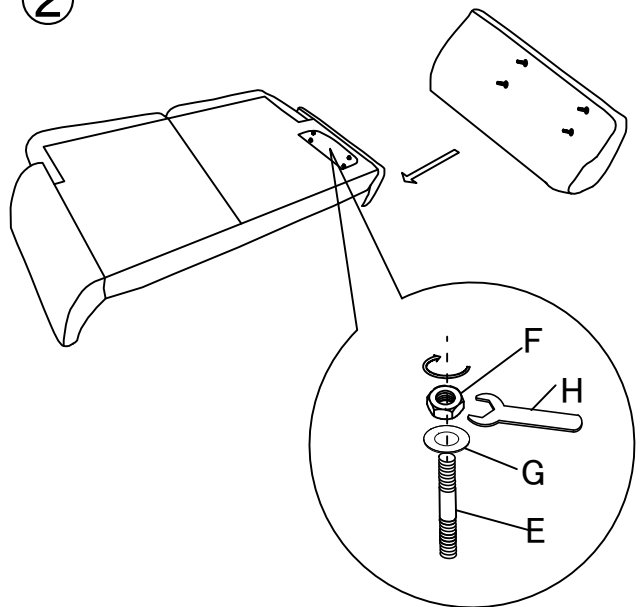


H ×1

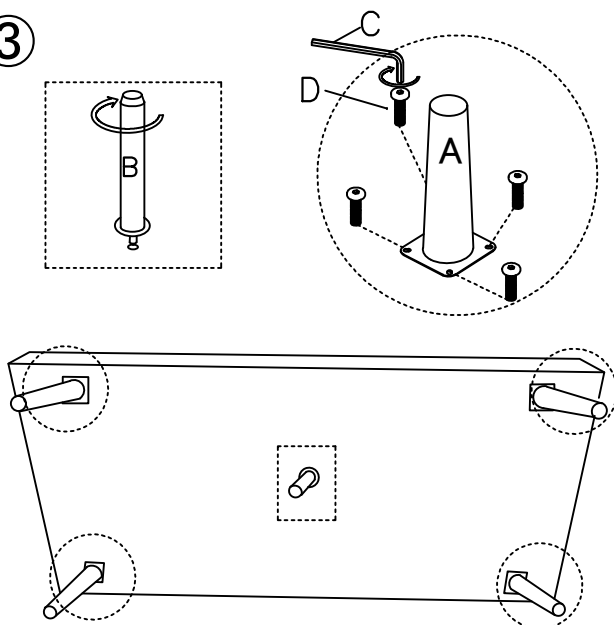
①



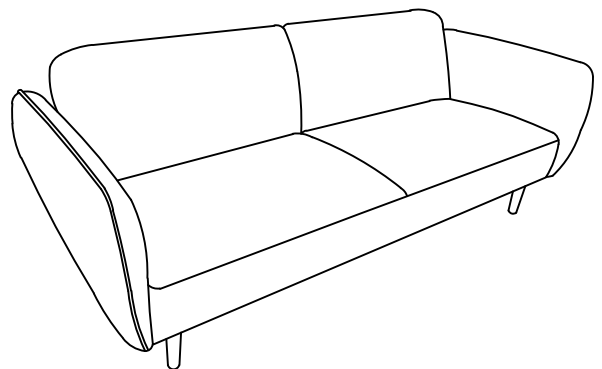
②



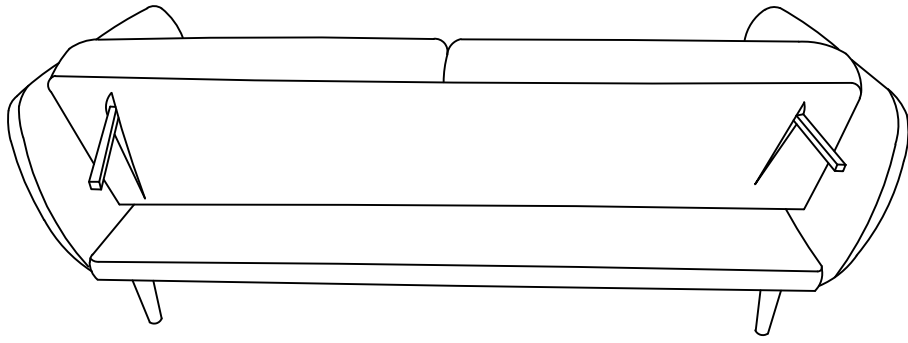
③



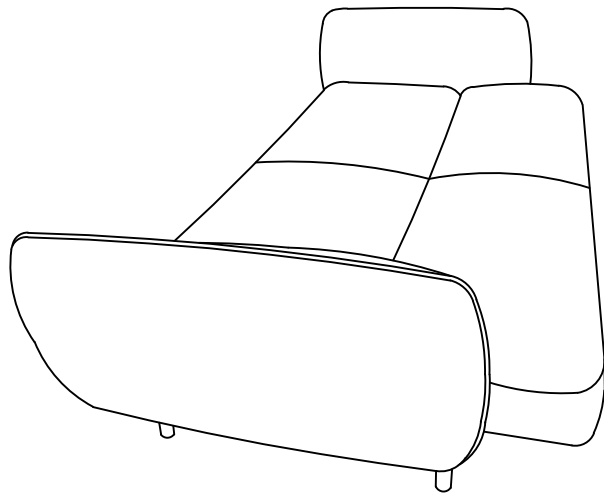
④



5



6



7

