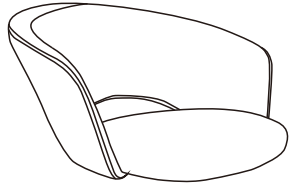
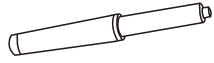


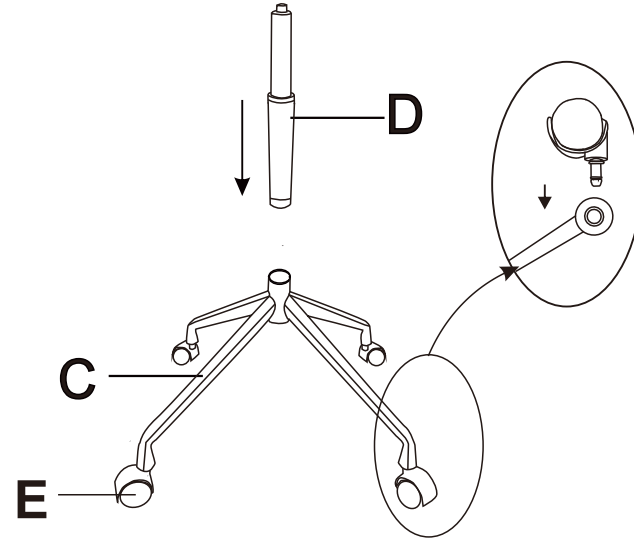
Ax1



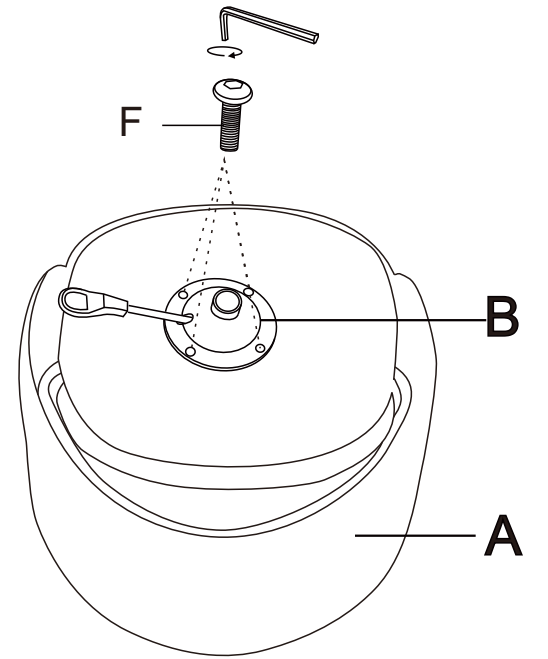
Dx1



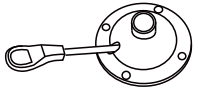
1



2



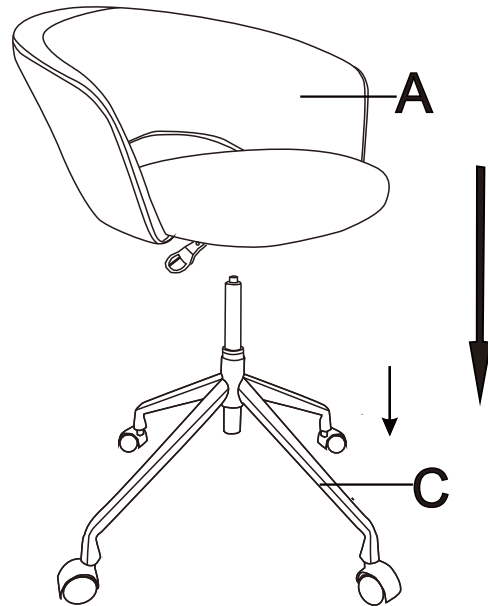
Bx1



Ex4



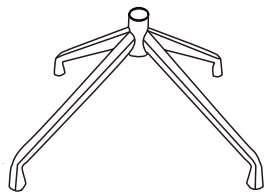
3



4



Cx1



Fx4



Gx1

