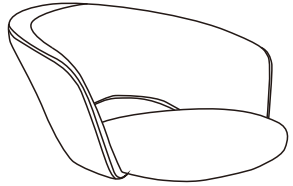


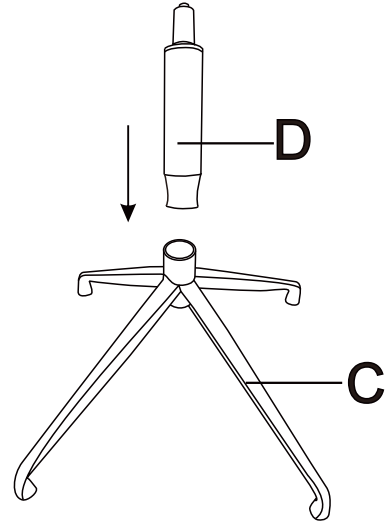
Ax1



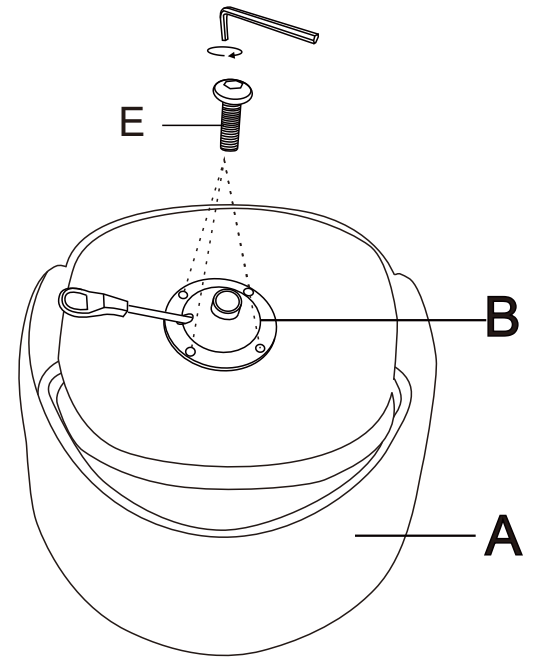
Dx1



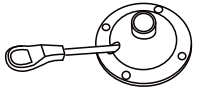
①



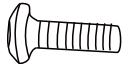
②



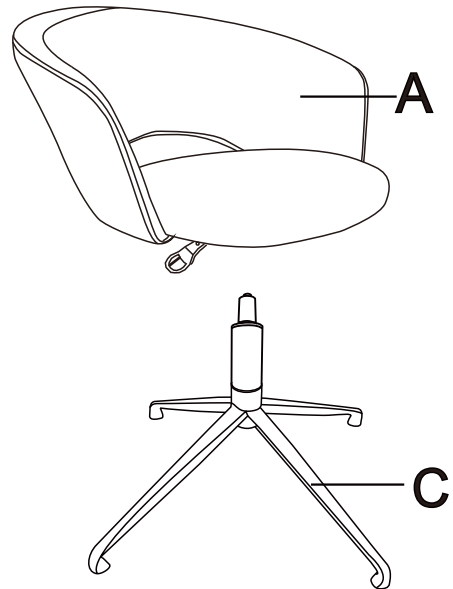
Bx1



Ex4



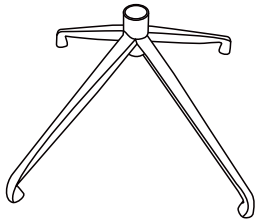
③



④



Cx1



Fx1

