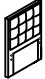
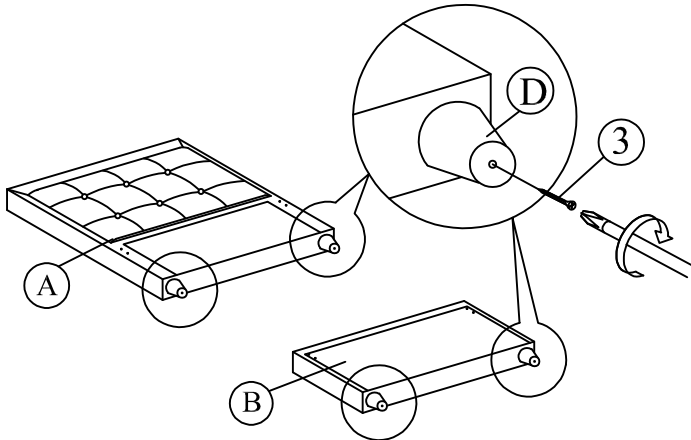
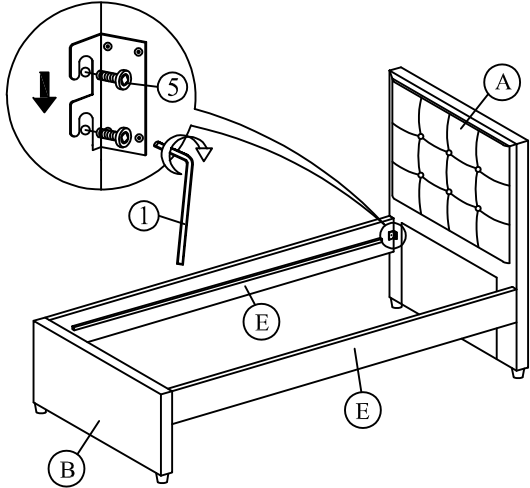
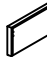
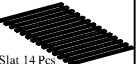







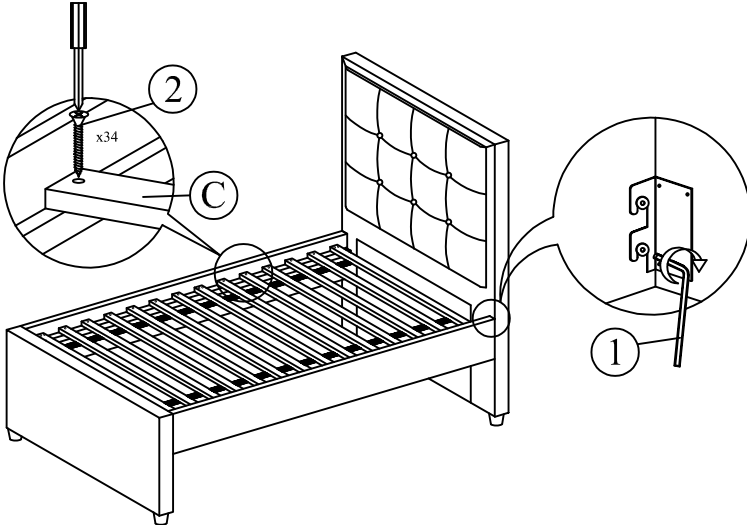
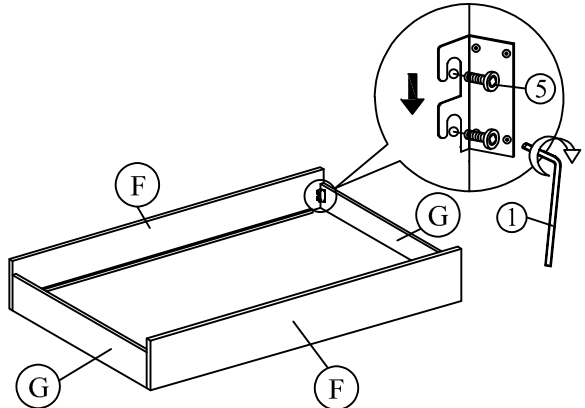






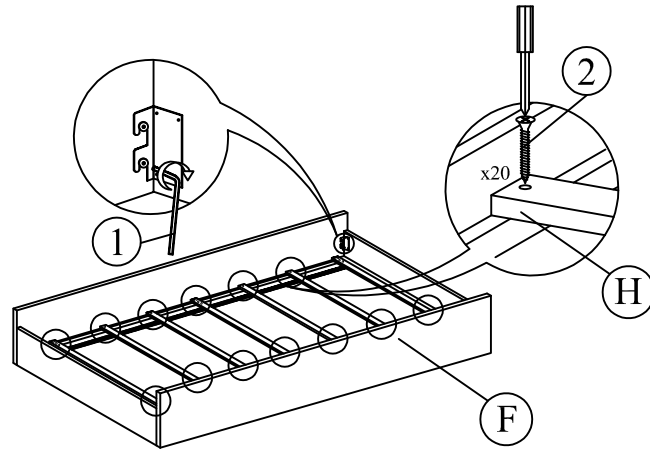
# KOKKUPANEKUJUHEND

## VOODI OSWALDO 28881

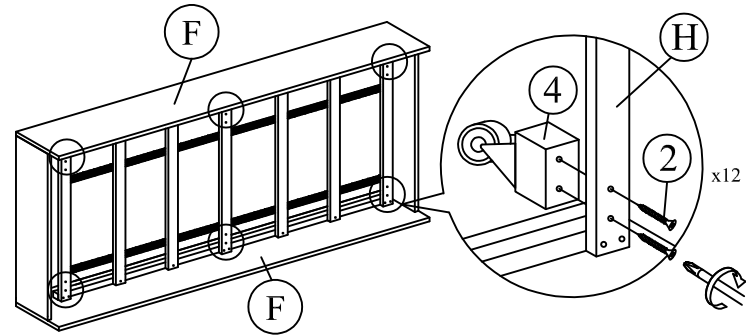
			Step 1 :	Step 2 :
A		Headboard 1 pc		
B		Footboard 1 pc		
C		Slat 14 Pcs 1 pc		
D		Legs 4 pcs		
E		Side Rail 2 pcs		
F		Trundle Front Panel (PU) 2 pcs		
G		Trundle Side Panel 2 pcs		
H		Slat 7 Pcs 1 pc		
I		Bottom Panel 2 pcs		
Packing Hardware				
1		M5 x 70 mm 1 pc		
2		CSK M4 x 32mm 66 pcs		
3		CSK M4 x 50mm 4 pcs		
4		Roller 6 pcs		
5		JCBB M8 X 20 16 pcs		

# KOKKUPANEKUJUHEND VOODI OSWALDO 28881

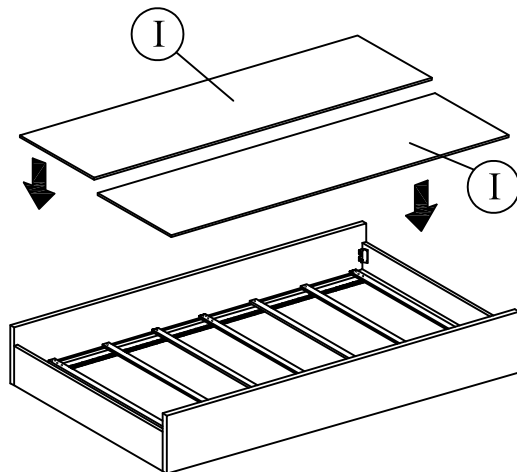
Step 5 :



Step 6 :



Step 7 :



Step 8 :

