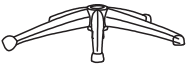



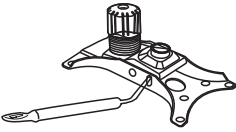



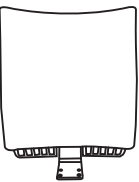






<p>①X1</p> 	<p>A.M6*40X6</p> 
<p>②X1</p> 	<p>B.M6*25X4</p> 
<p>③X1</p> 	<p>C.M8*25X4</p> 
<p>④X1</p> 	<p>D.X6</p>  <p>M6</p>
<p>⑤X1</p> 	<p>E.X4</p>  <p>M8</p>
<p>⑥X1</p> 	<p>F.X1</p> 
<p>⑦X1</p> 	<p>G.X5</p> 