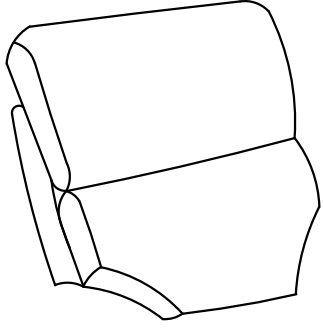
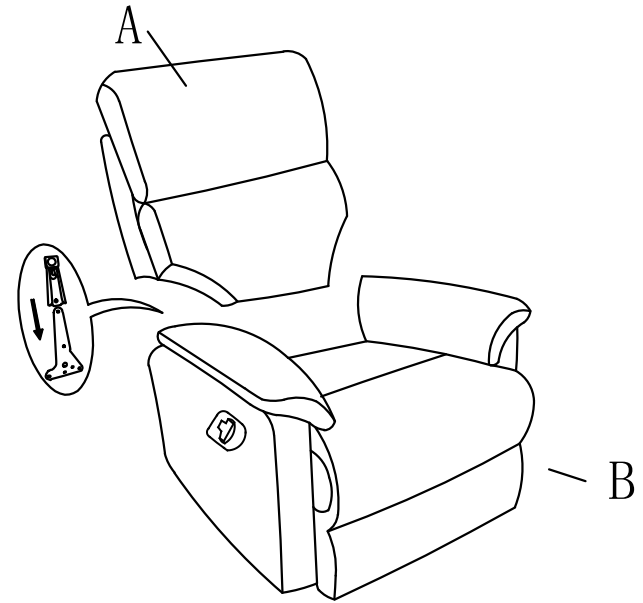


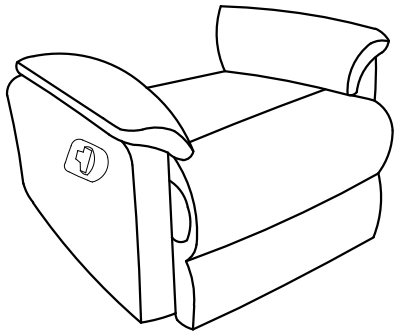
A*1



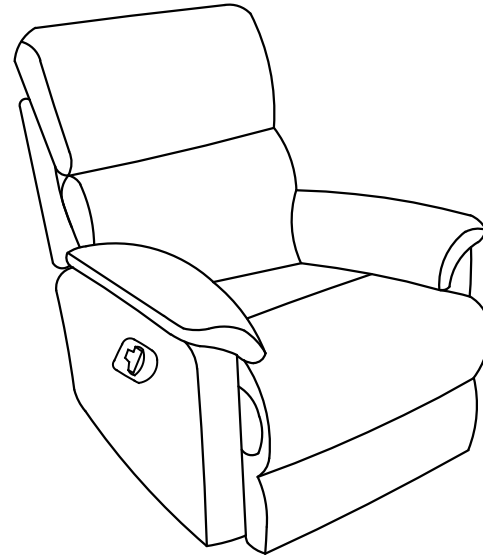
①



B*1



②



CR0026AF51D