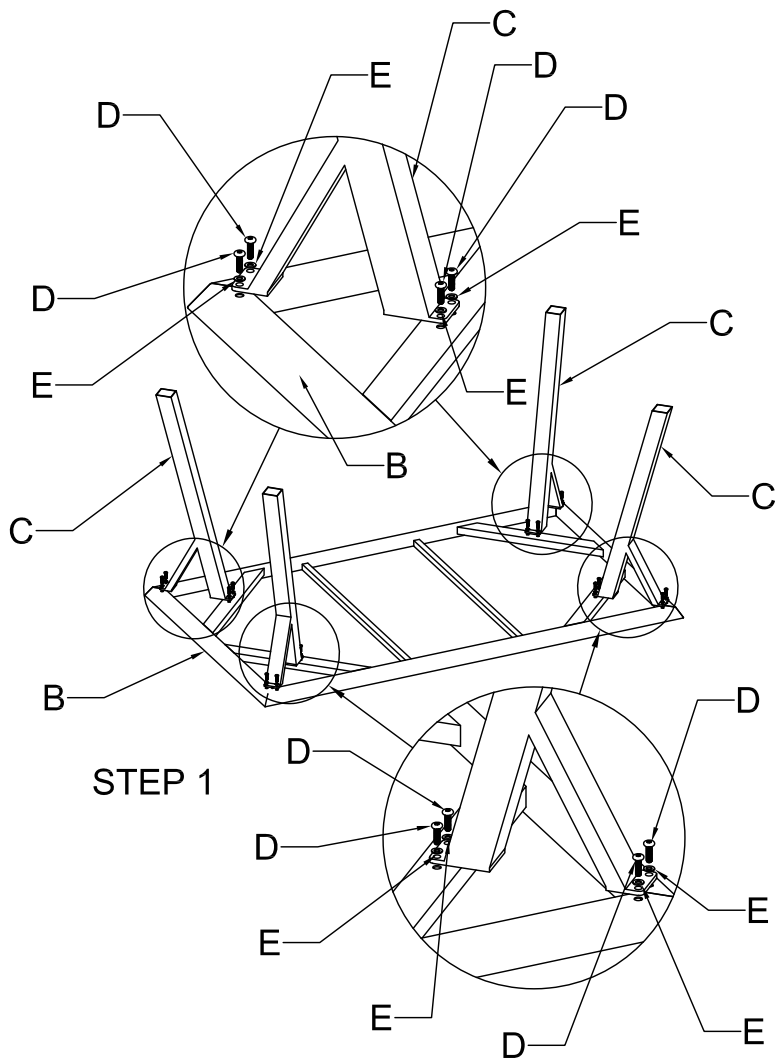
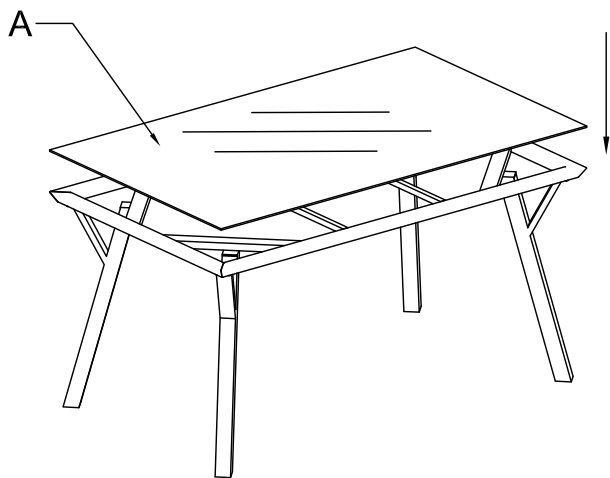


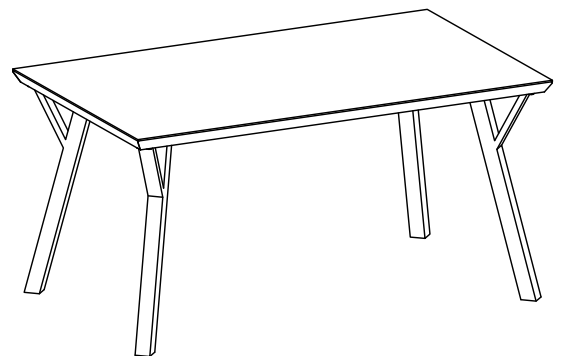
# ASSEMBLY INSTRUCTION



No.	Part List	Qty
A		1
B		1
C		4
D	 M6x20mm	16
E		16
		1



STEP 2



STEP 3