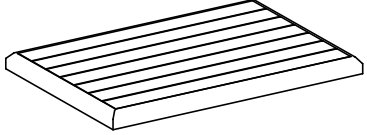
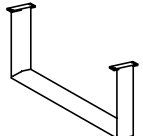
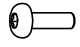


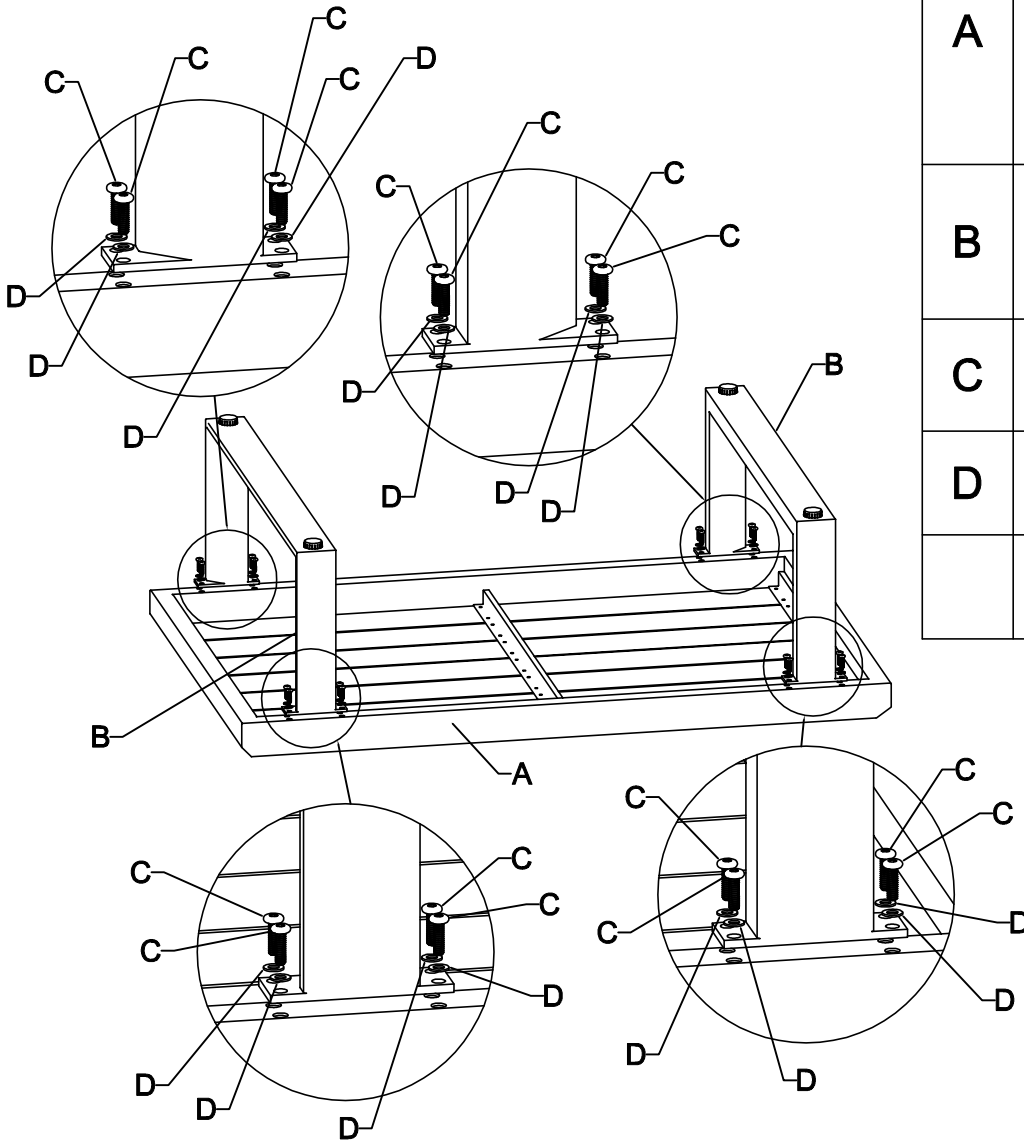
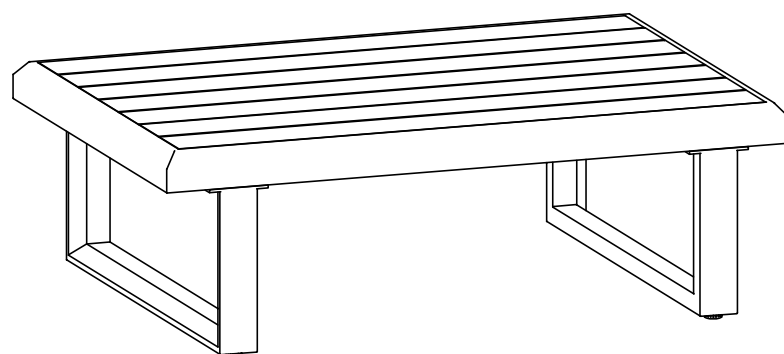


ASSEMBLY INSTRUCTION

No.	Part List	Qty
A		1
B		2
C	 M6x20mm	16
D		16
		1

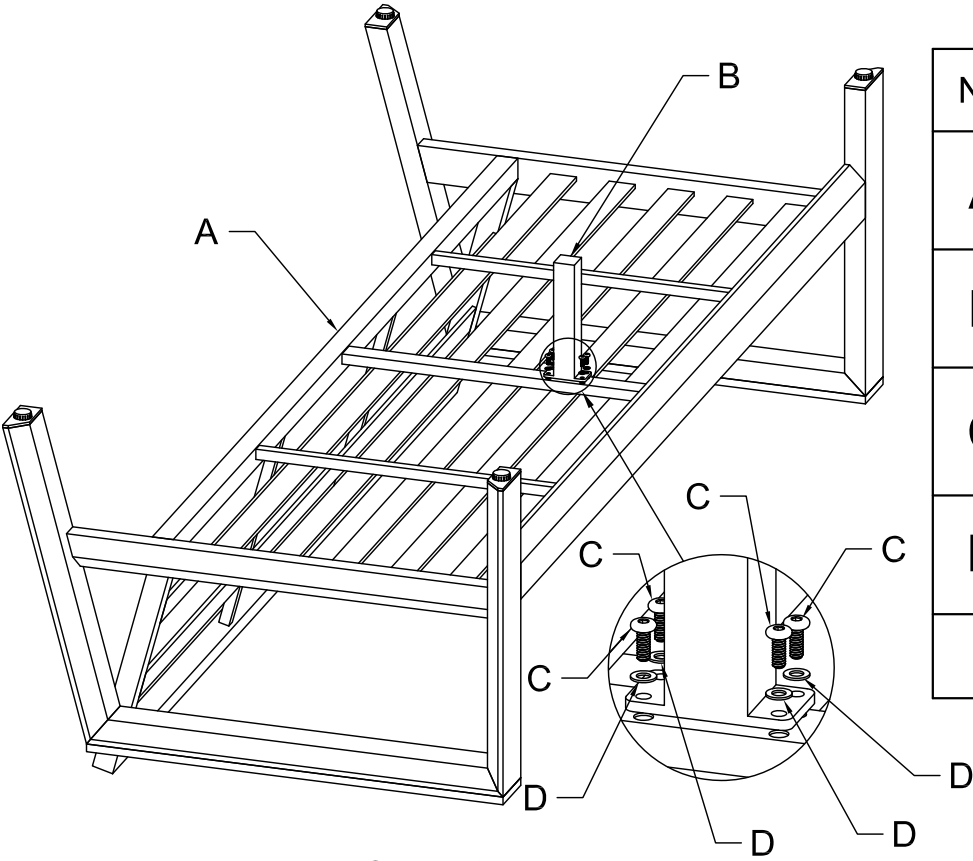


STEP 1

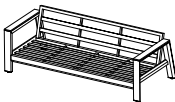

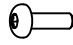




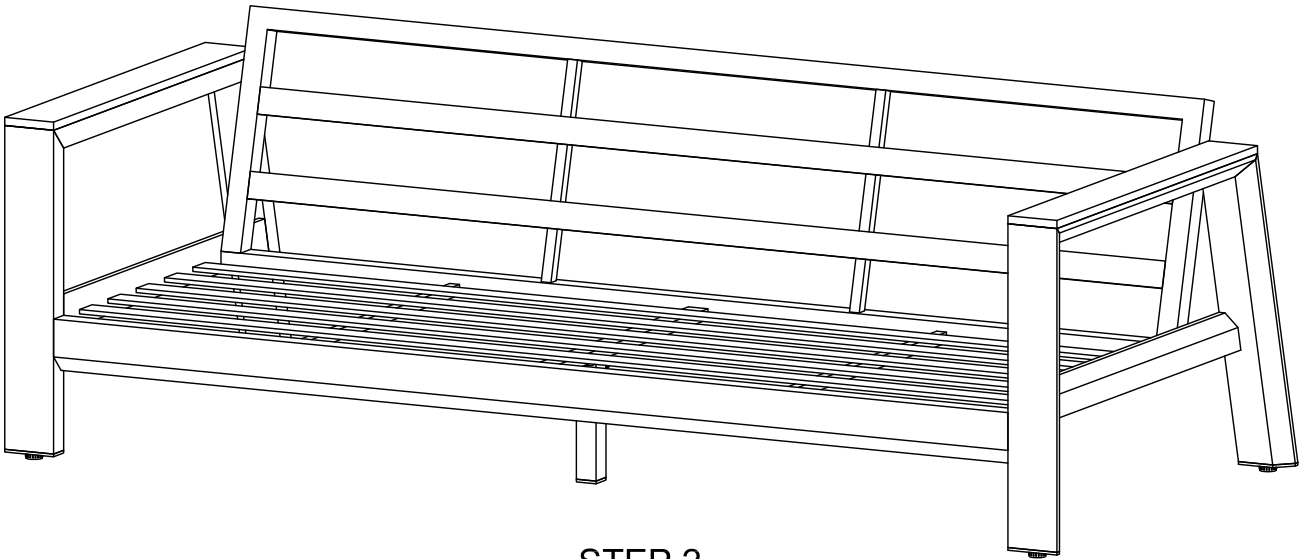
STEP 2

ASSEMBLY INSTRUCTION



STEP 1

No.	Part List	Qty
A		1
B		1
C	 M6x15mm	4
D		4
		1



STEP 2