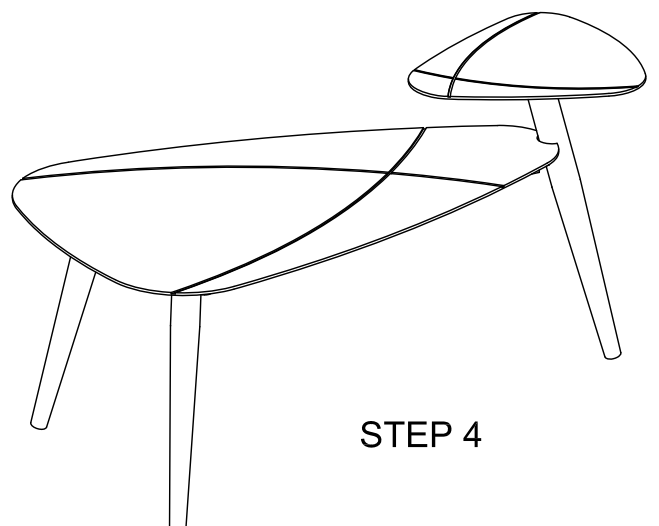
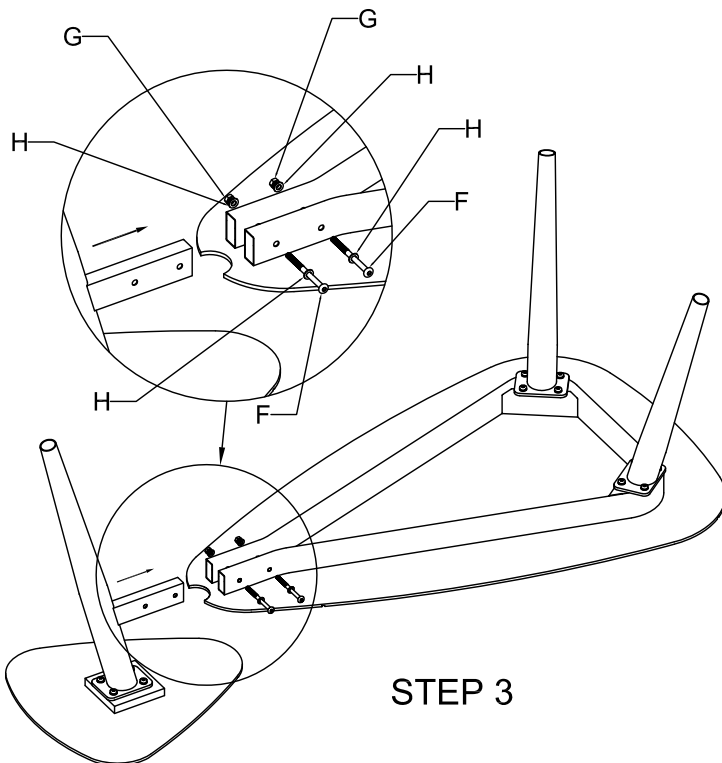
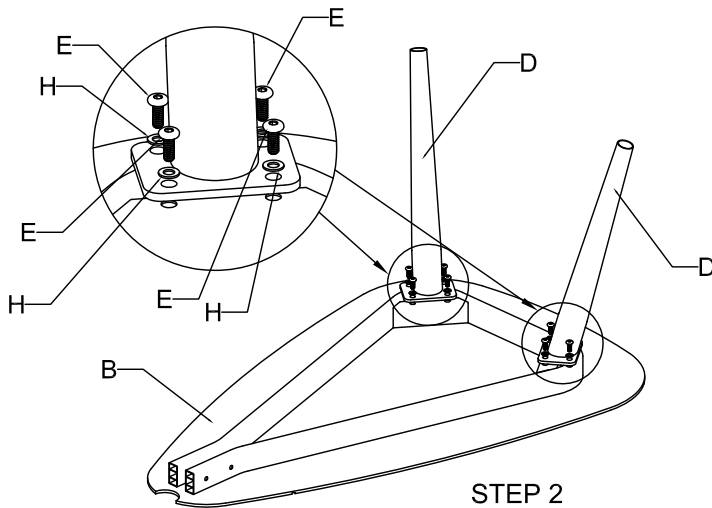
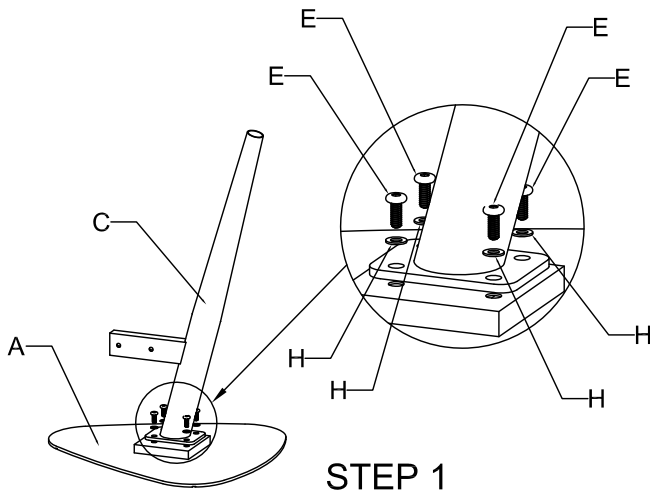

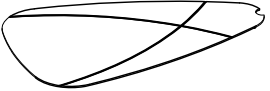
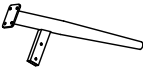
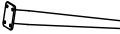
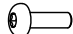
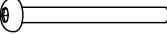




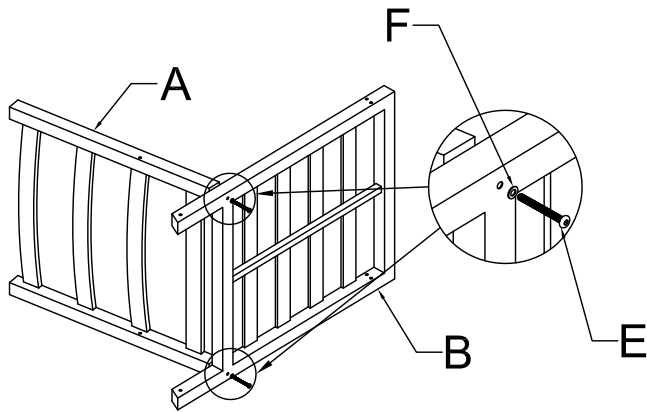


# ASSEMBLY INSTRUCTION

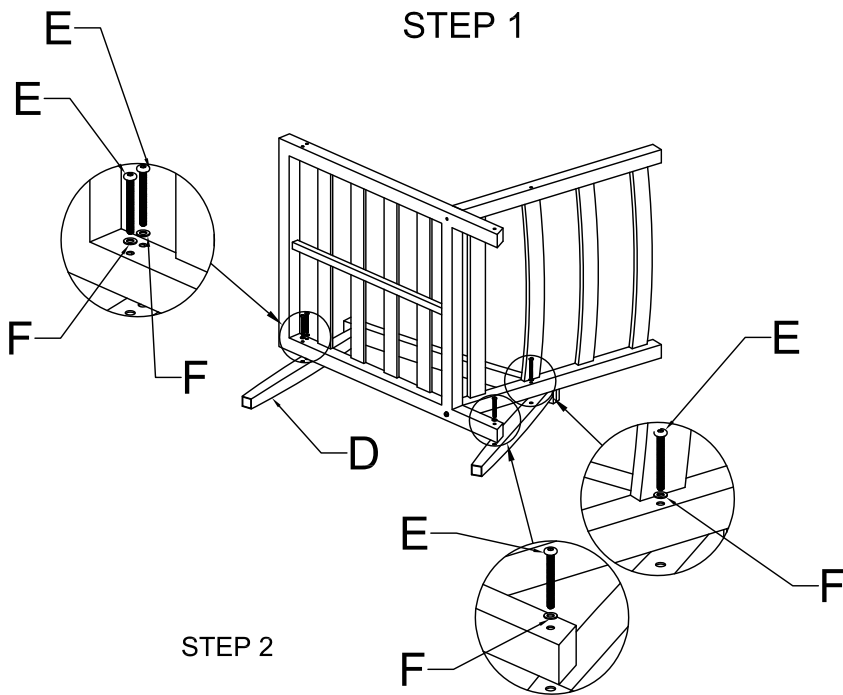


No.	Part List	Qty
A		1
B		1
C		1
D		2
E	 M6x15mm	12
F	 M6x75mm	2
G		2
H		16
		1
		1

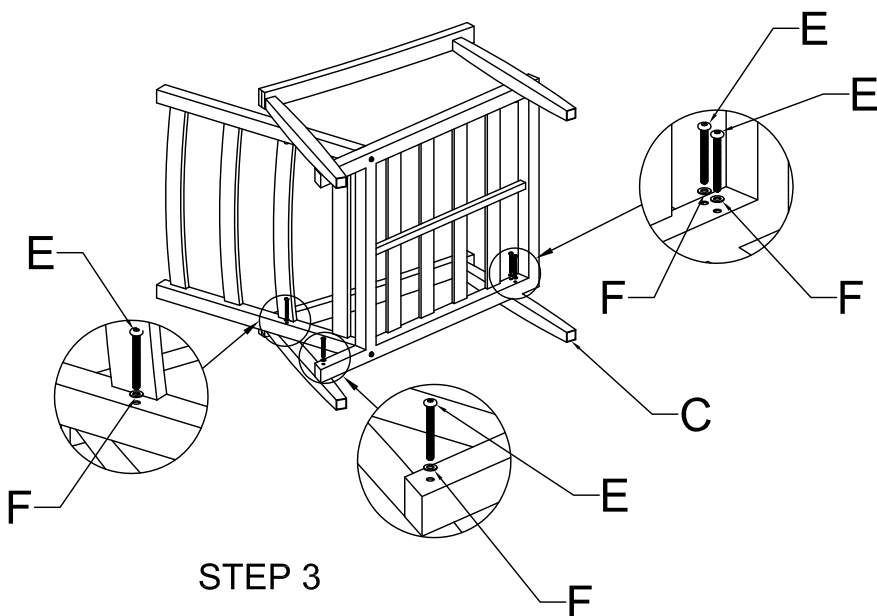
# ASSEMBLY INSTRUCTION



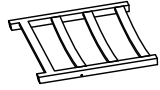
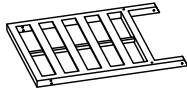
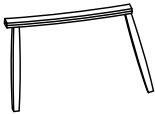
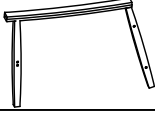
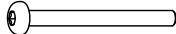


STEP 1

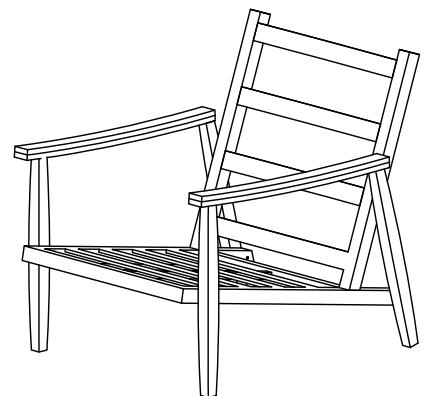


STEP 2



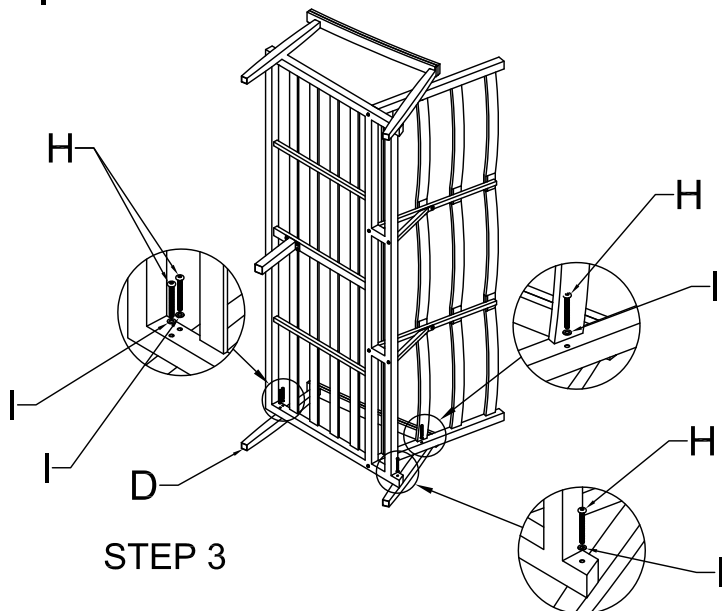
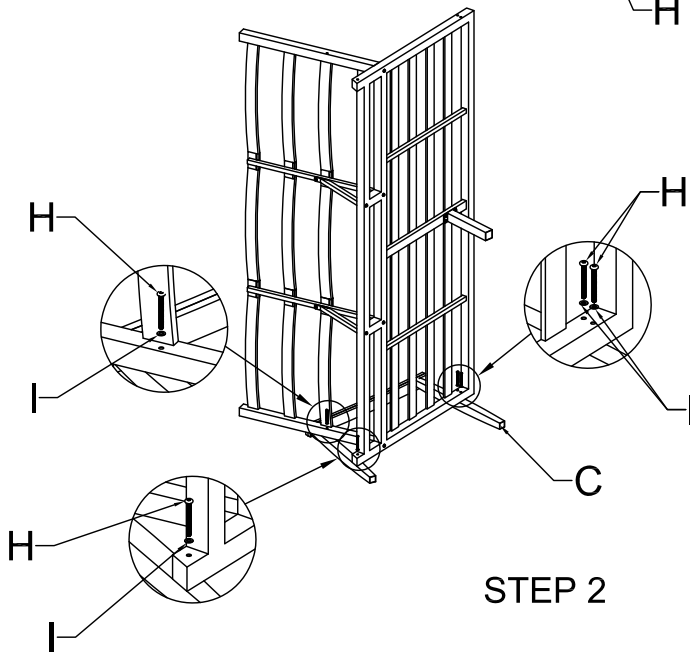
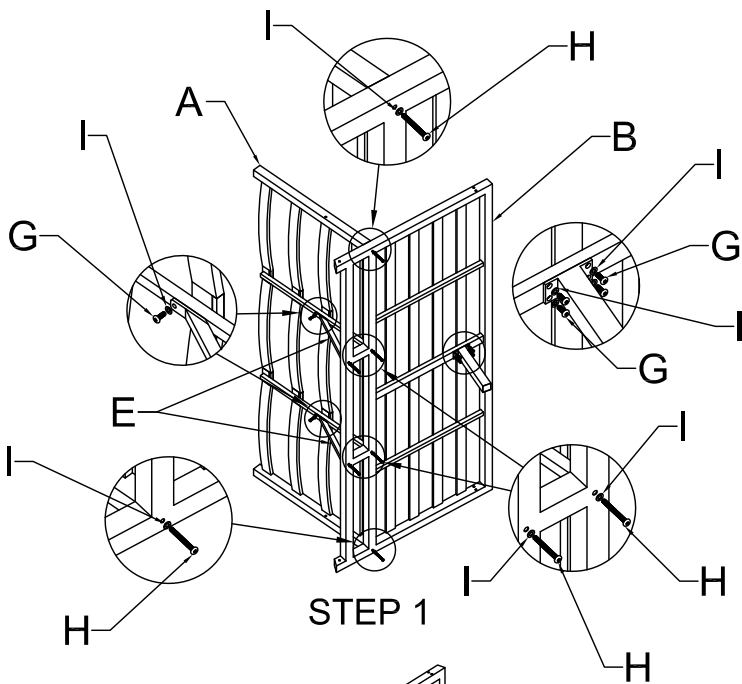
STEP 3

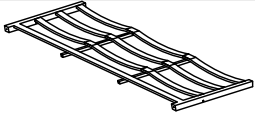
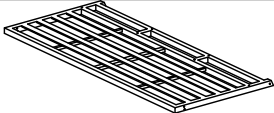
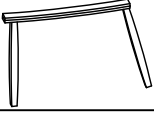
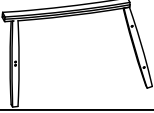

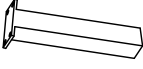
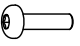
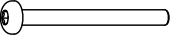


No.	Part List	Qty
A		1
B		1
C		1
D		1
E	 M6x55mm	8
F		8
		1



STEP 4

# ASSEMBLY INSTRUCTION



No.	Part List	Qty
A		1
B		1
C		1
D		1
E		2
F		1
G	 M6x15mm	6
H	 M6x55mm	14
I		20
		1

