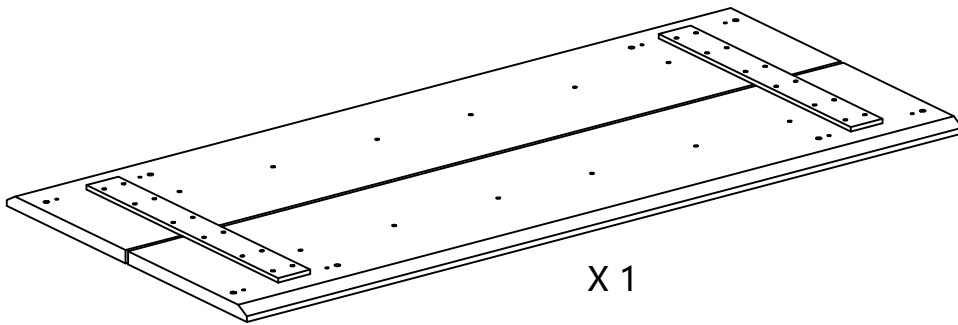
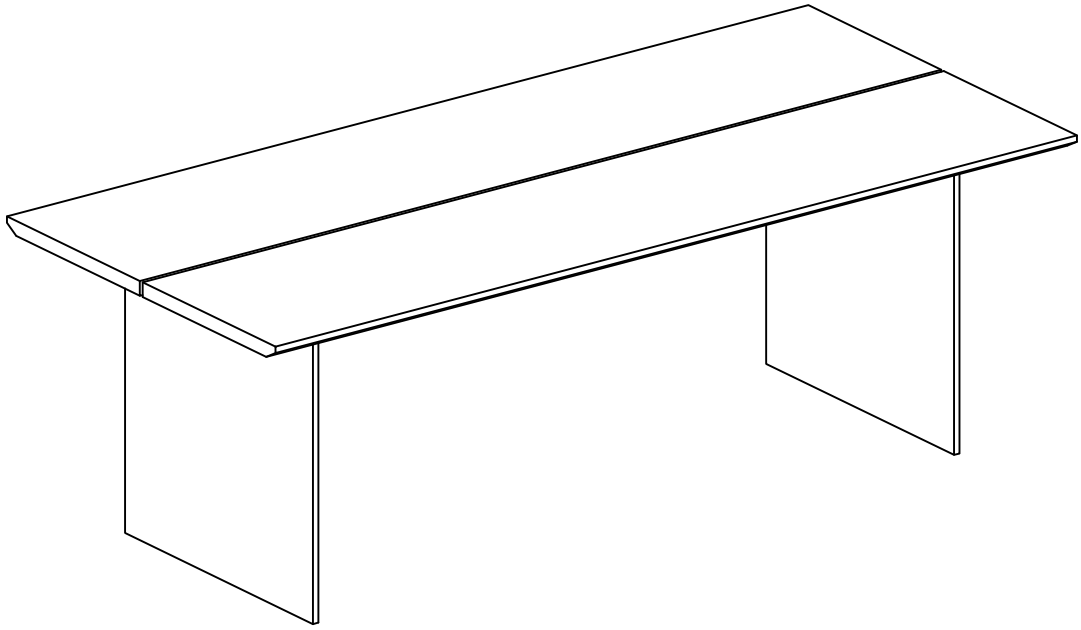
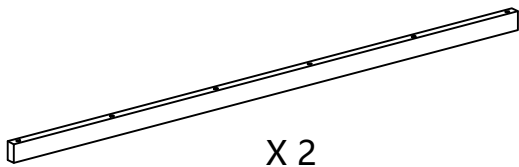


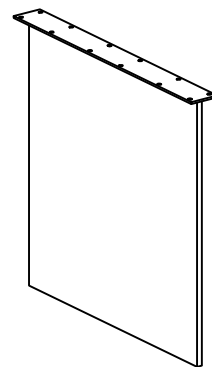
2-1



X 1



X 2



X 2



N4

A X 1



N5

B X 1



C X 12



D X 4



E X 24



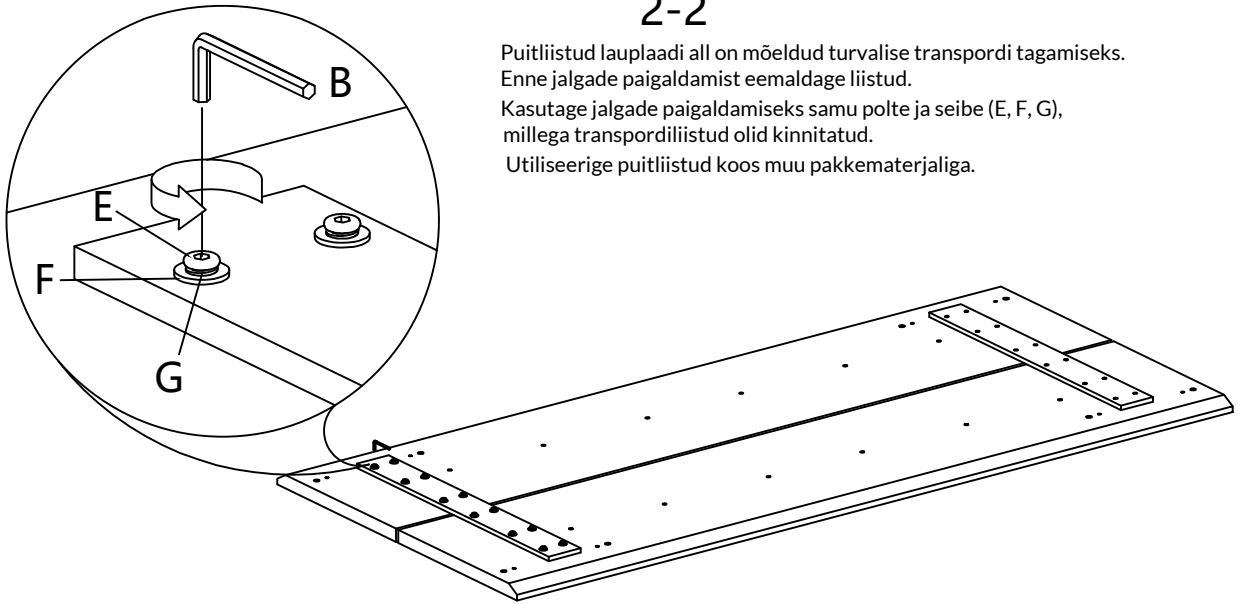
F X 24



G X 24

2-2

Puitliistud lauplaadi all on mõeldud turvalise transpordi tagamiseks. Enne jalgade paigaldamist eemaldage liistud. Kasutage jalgade paigaldamiseks samu polte ja seibe (E, F, G), millega transpordiliistud olid kinnitatud. Utiliseerige puitliistud koos muu pakkematerjaliga.



The wooden slats under the table top are meant for safety during transportation. Remove the slats before installing the legs. Use the same bolts and washers (E, F, G) that were used to attach the transport rails to install the legs. Dispose of the wooden slats together with other packaging material.

