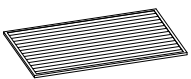

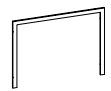
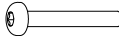


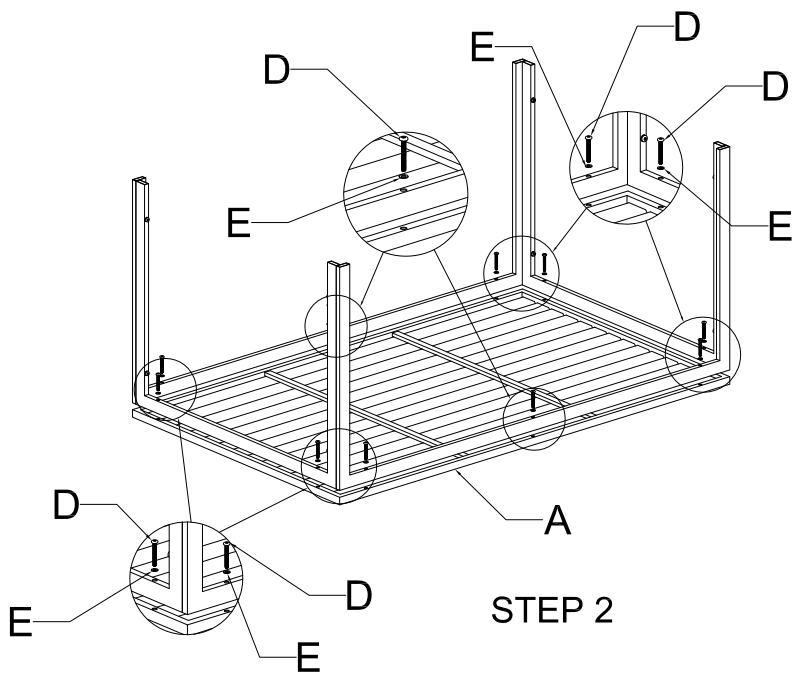
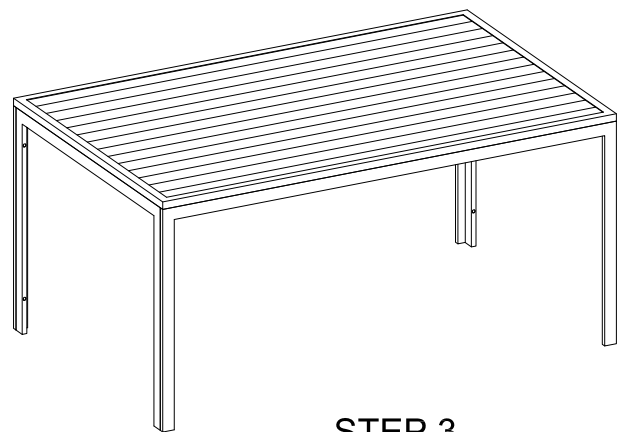


STEP 1

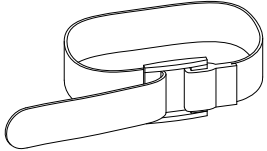
No.	Part List	Qty
A		1
B		2
C		2
D	 M6x45mm	18
E		18
		1

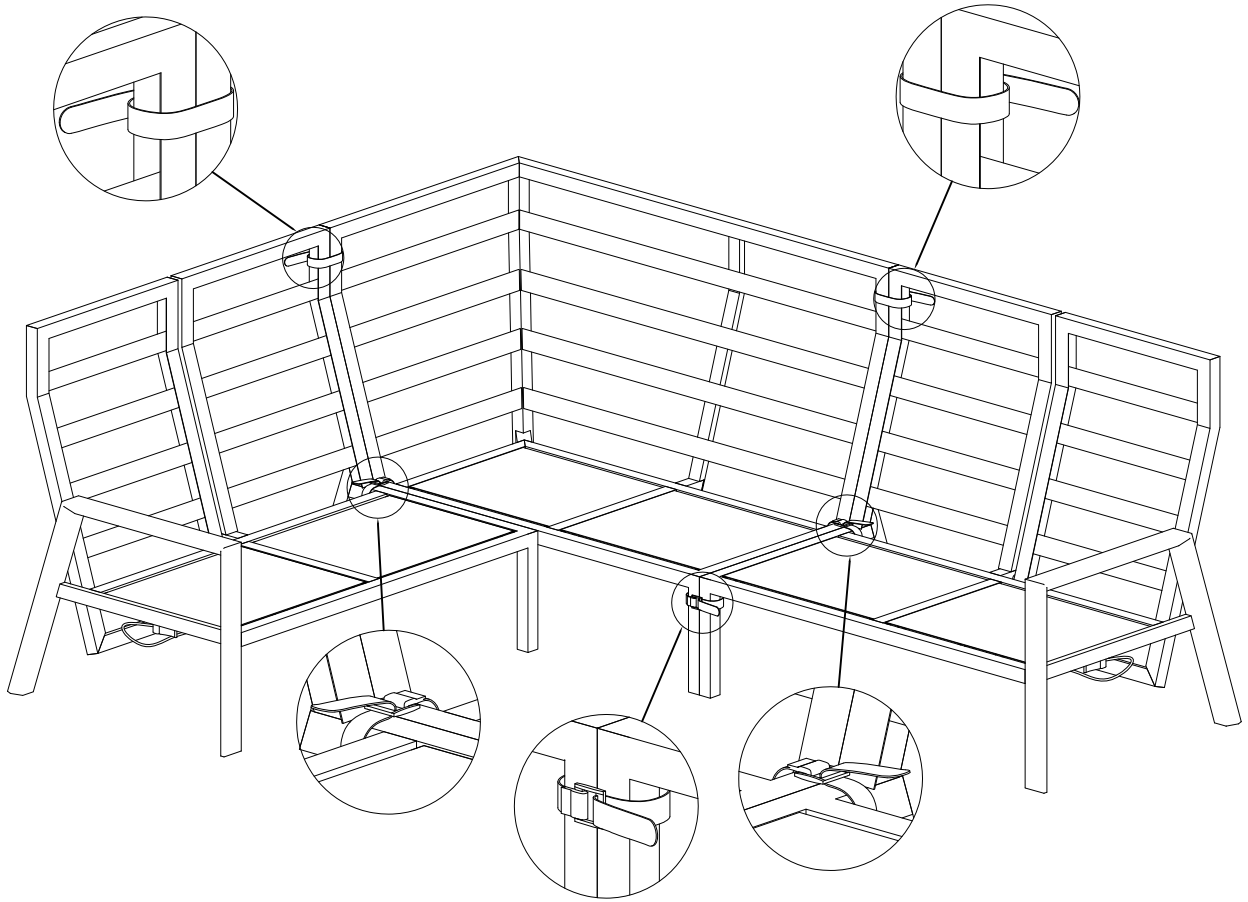


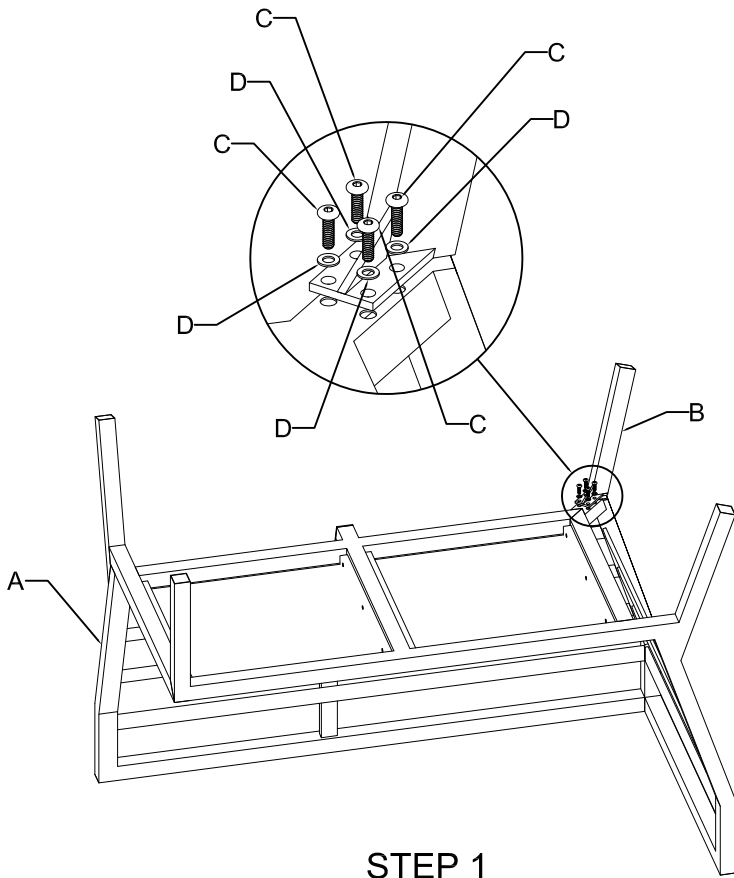
STEP 2



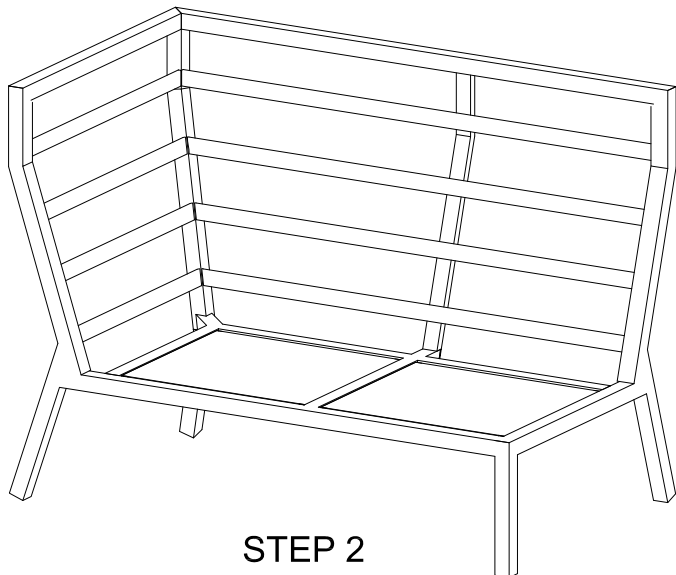
STEP 3

No.	Part List	Qty
A		5

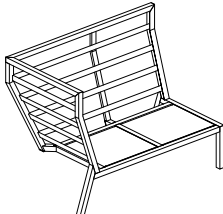
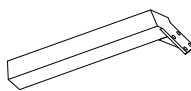
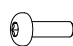






STEP 1



STEP 2

No.	Part List	Qty
A		1
B		1
C	 M6x20mm	4
D		4
		1