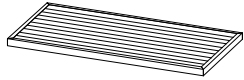

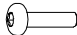


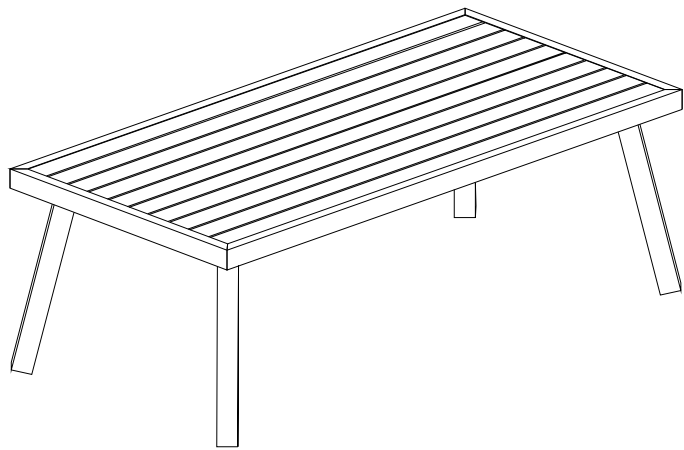
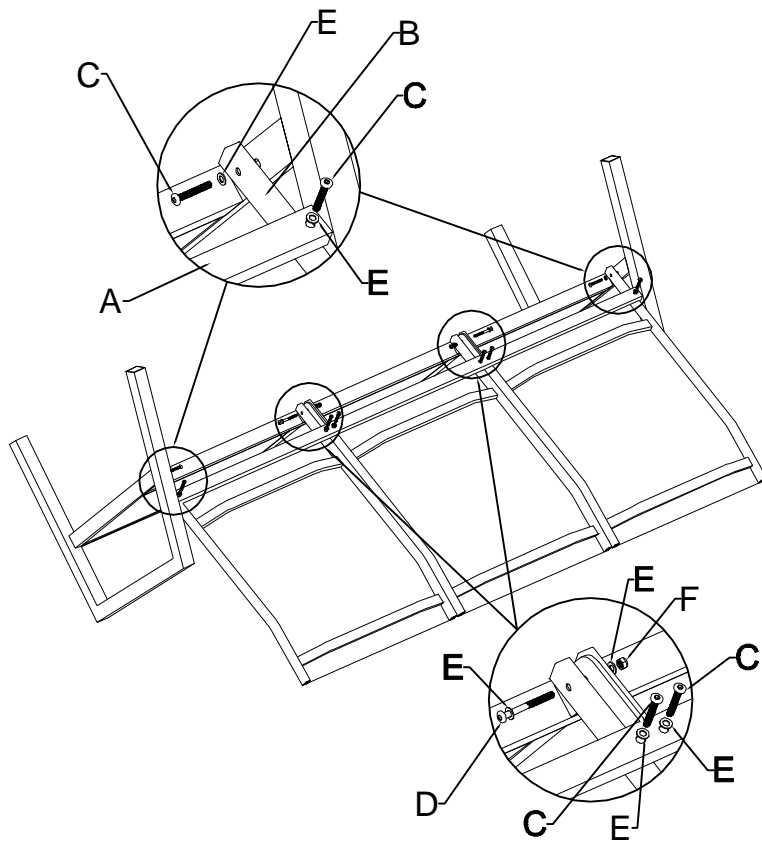


SAMM 1 / STEP 1

NO / NR		TK / QTY
A		1
B		4
C	 M6x20mm	16
D		16
		1

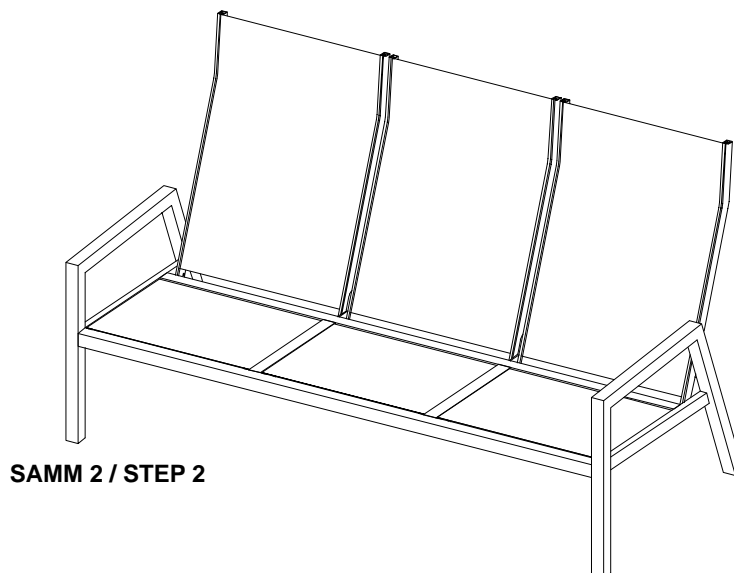


SAMM 2 /STEP 2



SAMM 1 / STEP 1

NO/NR		TK/QTY
A		1
B		3
C	 M6x35mm	8
D	 M6x55mm	2
E		12
F		2
		1
		1



SAMM 2 / STEP 2