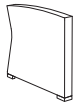


Ax1



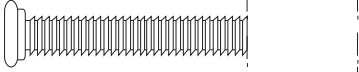
Bx1



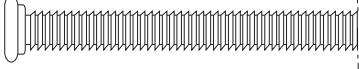
Cx1



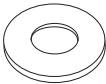
Dx2



Ex1



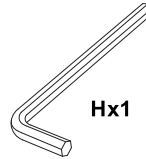
Fx4



Gx5



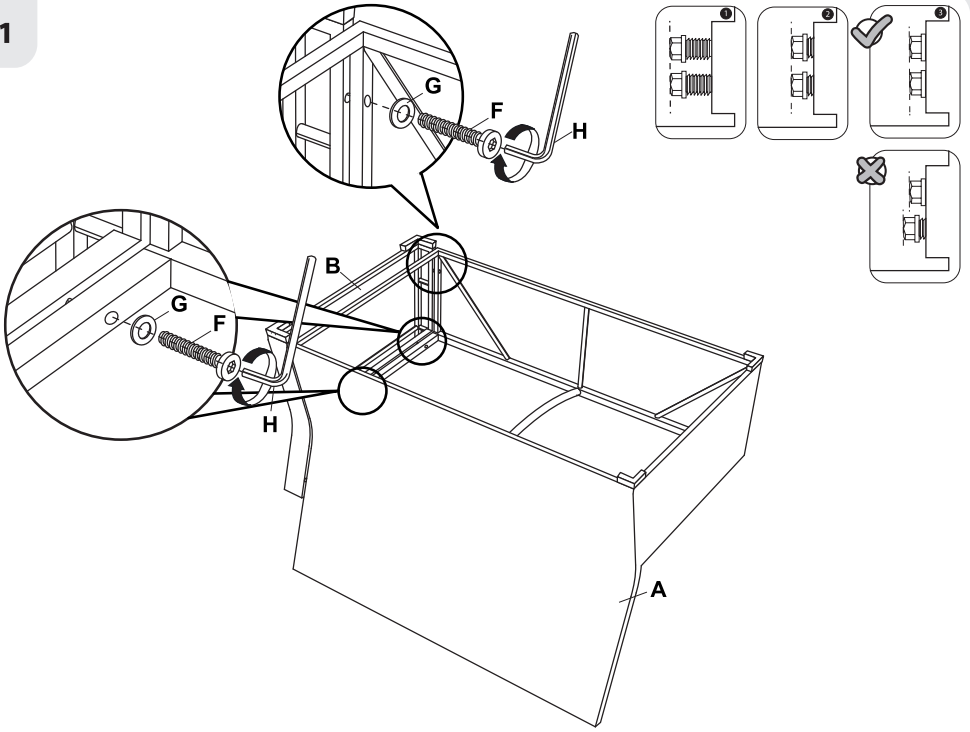
Ix1



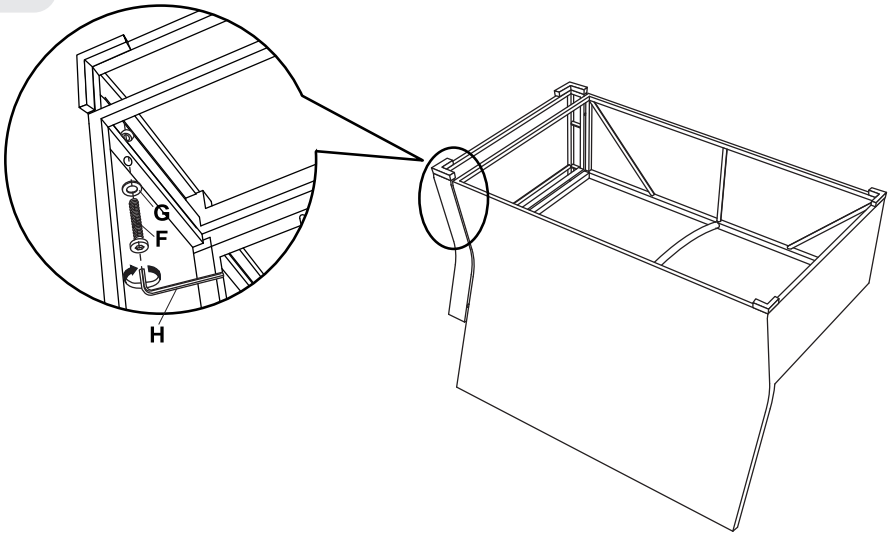
Hx1



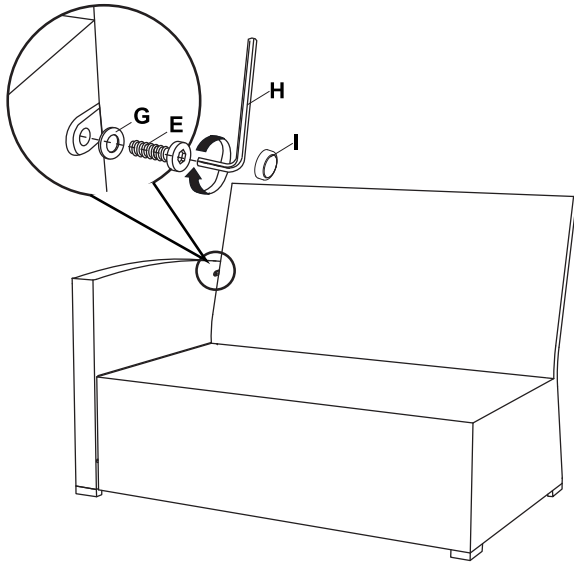
1



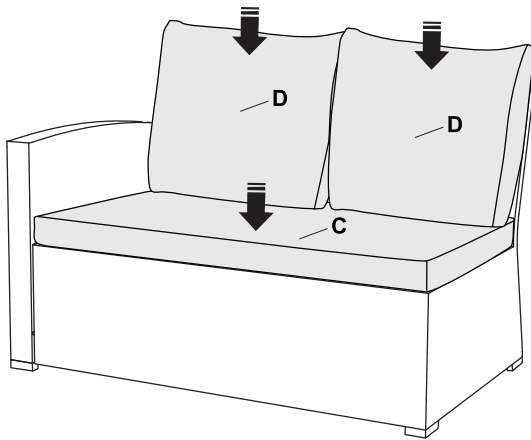
2

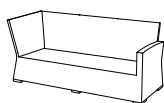
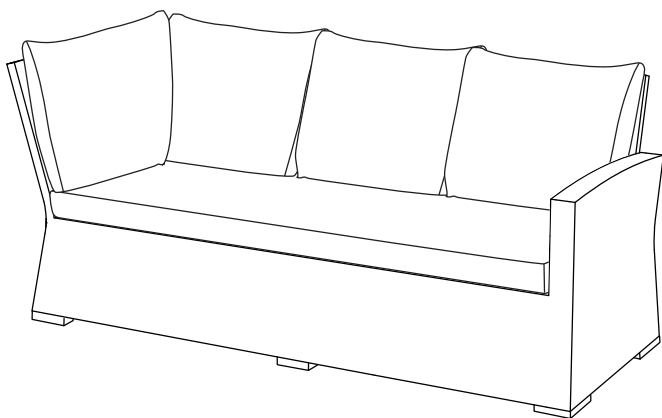


3

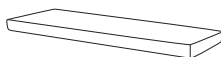


4





Ax1



Bx1



Cx2



Dx1



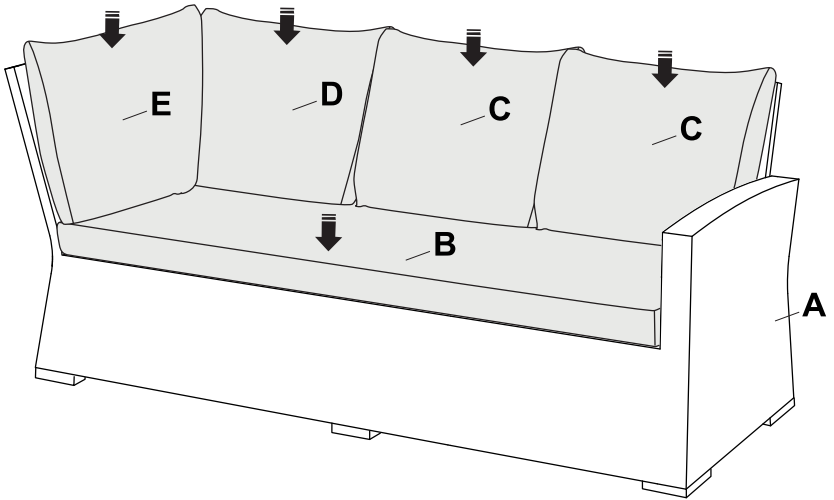
Ex1



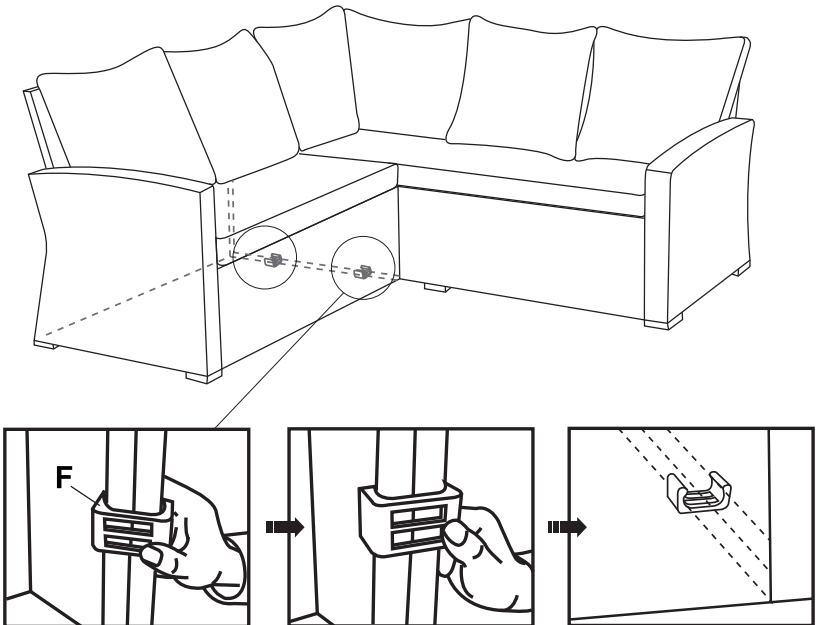
Fx2

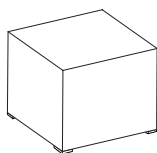
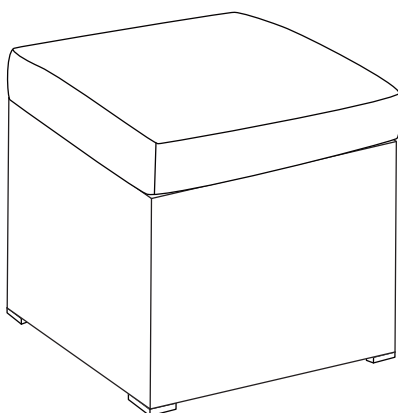


1



2





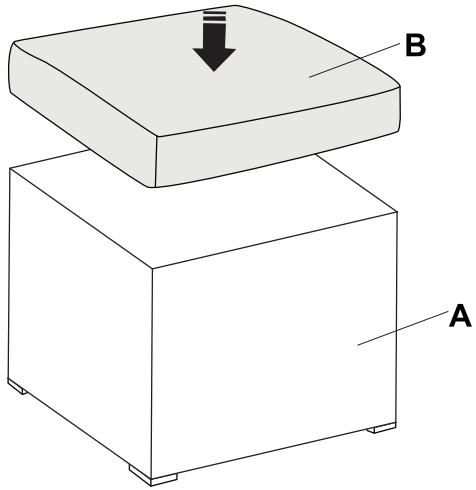
Ax1



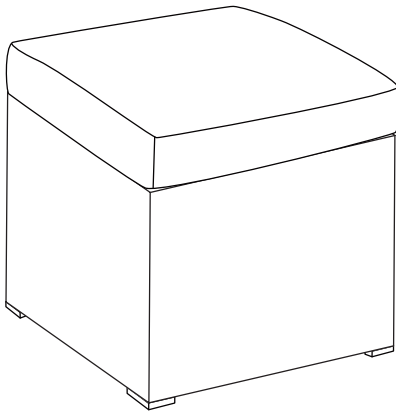
Bx1

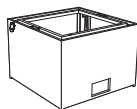
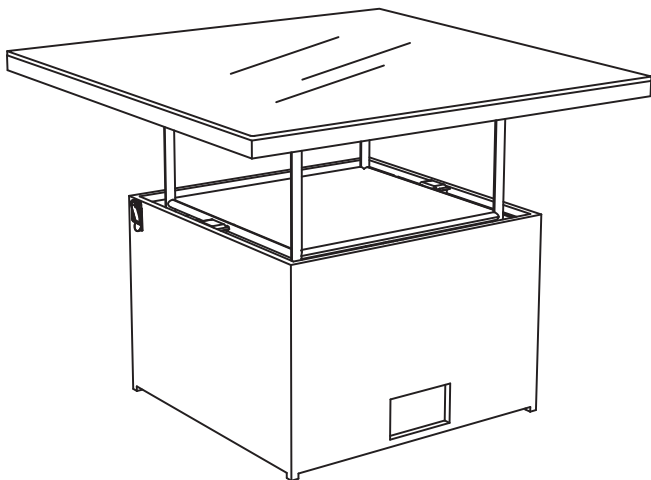


1

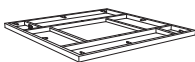


2





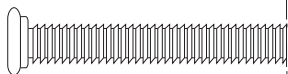
Ax1



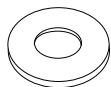
Bx1



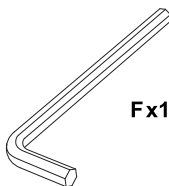
Cx1



Dx4



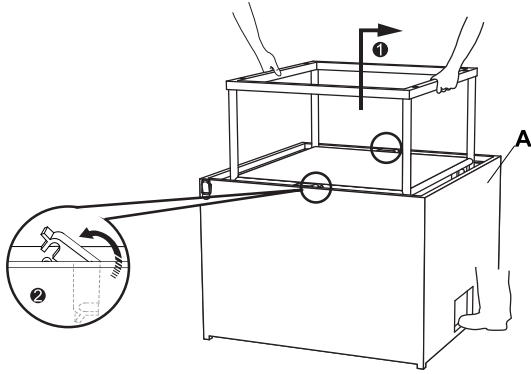
Ex4



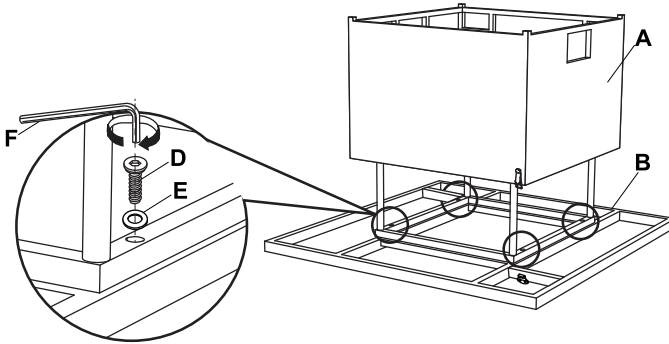
Fx1



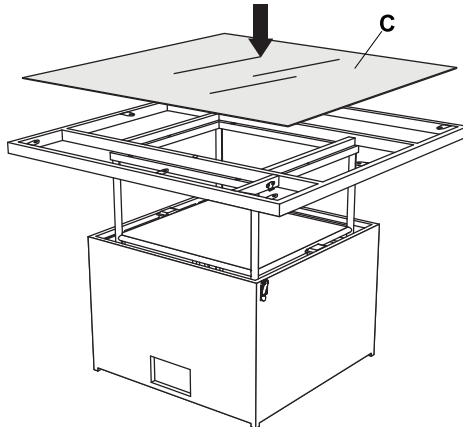
1



2

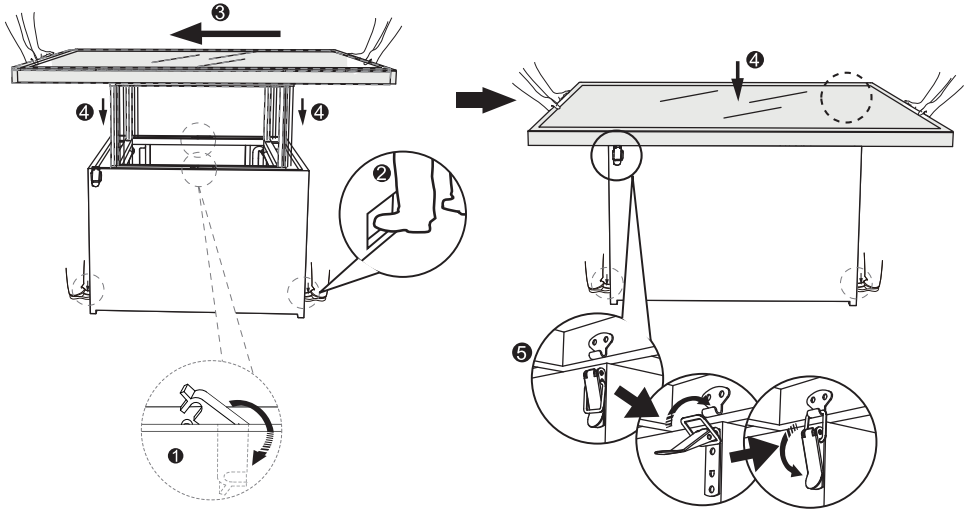


3



4

DOWN



5

UP

