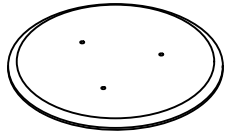


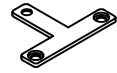
ASSEMBLY PICTURE



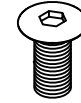
Ax1



Bx1



Cx3

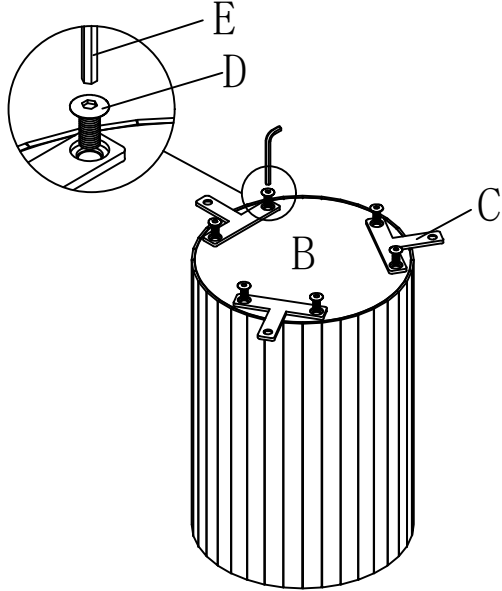


Dx9

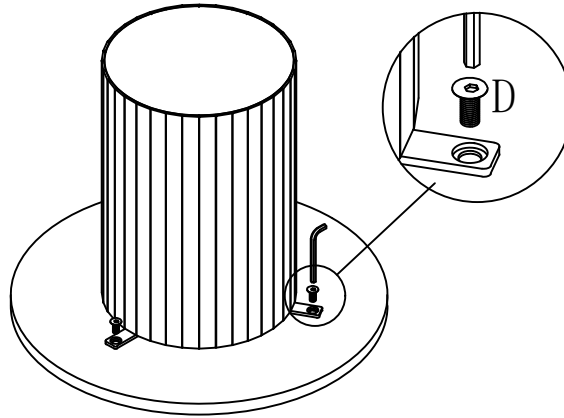


Ex1

①



②



③

