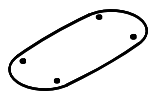


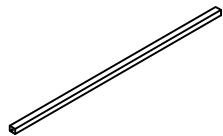
ASSEMBLY PICTURE



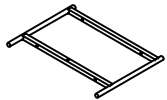
Ax1



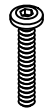
Bx1



Cx1



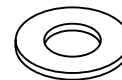
Dx2



Ex6



Fx4



Gx10

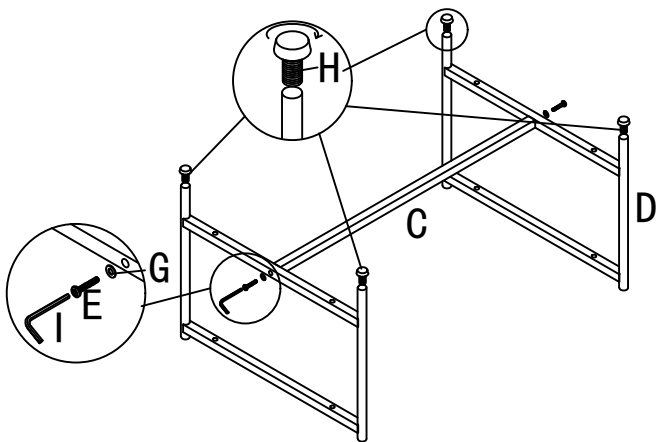


Hx4

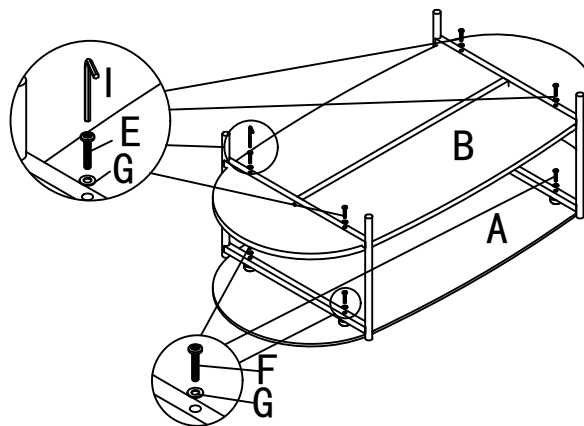


Ix1

①



②



③

