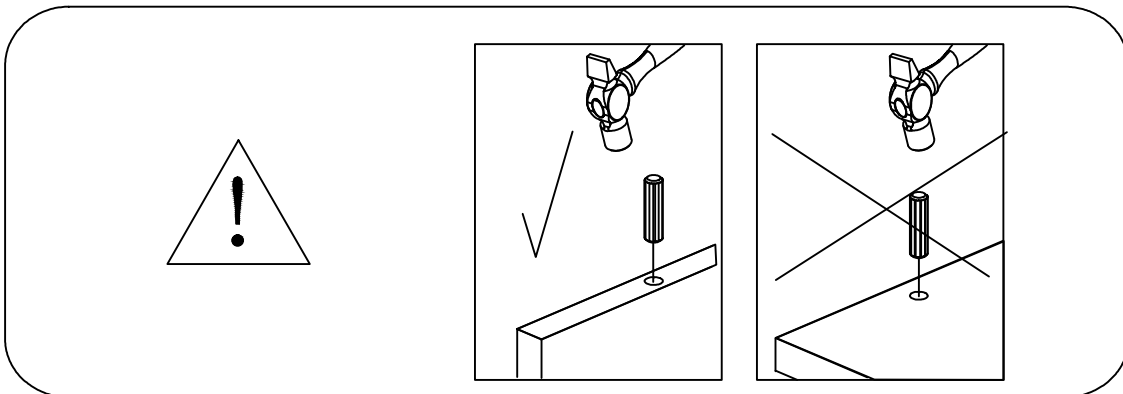
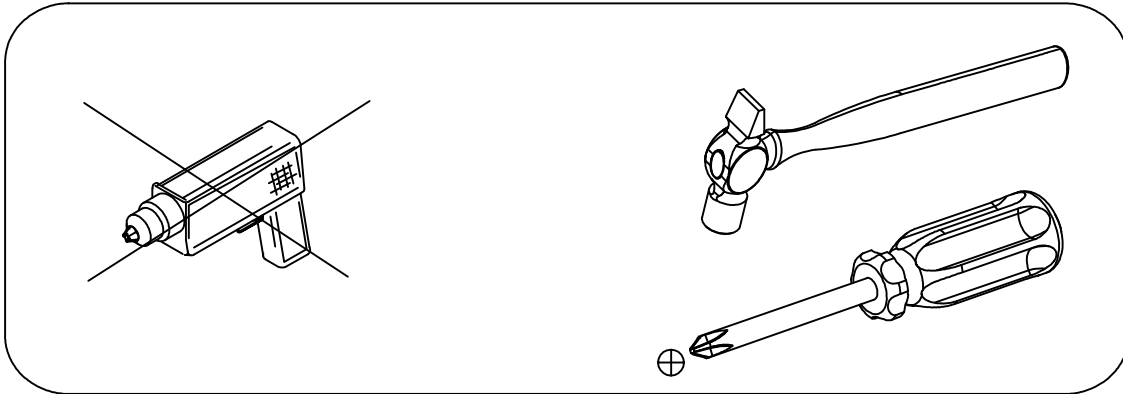
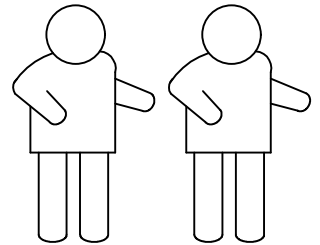
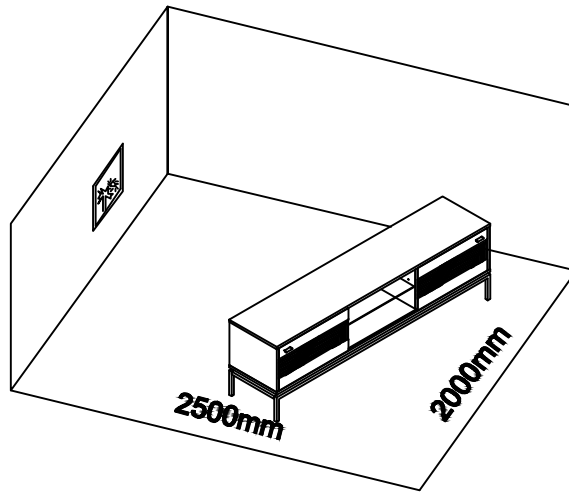
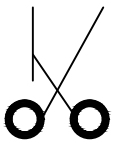
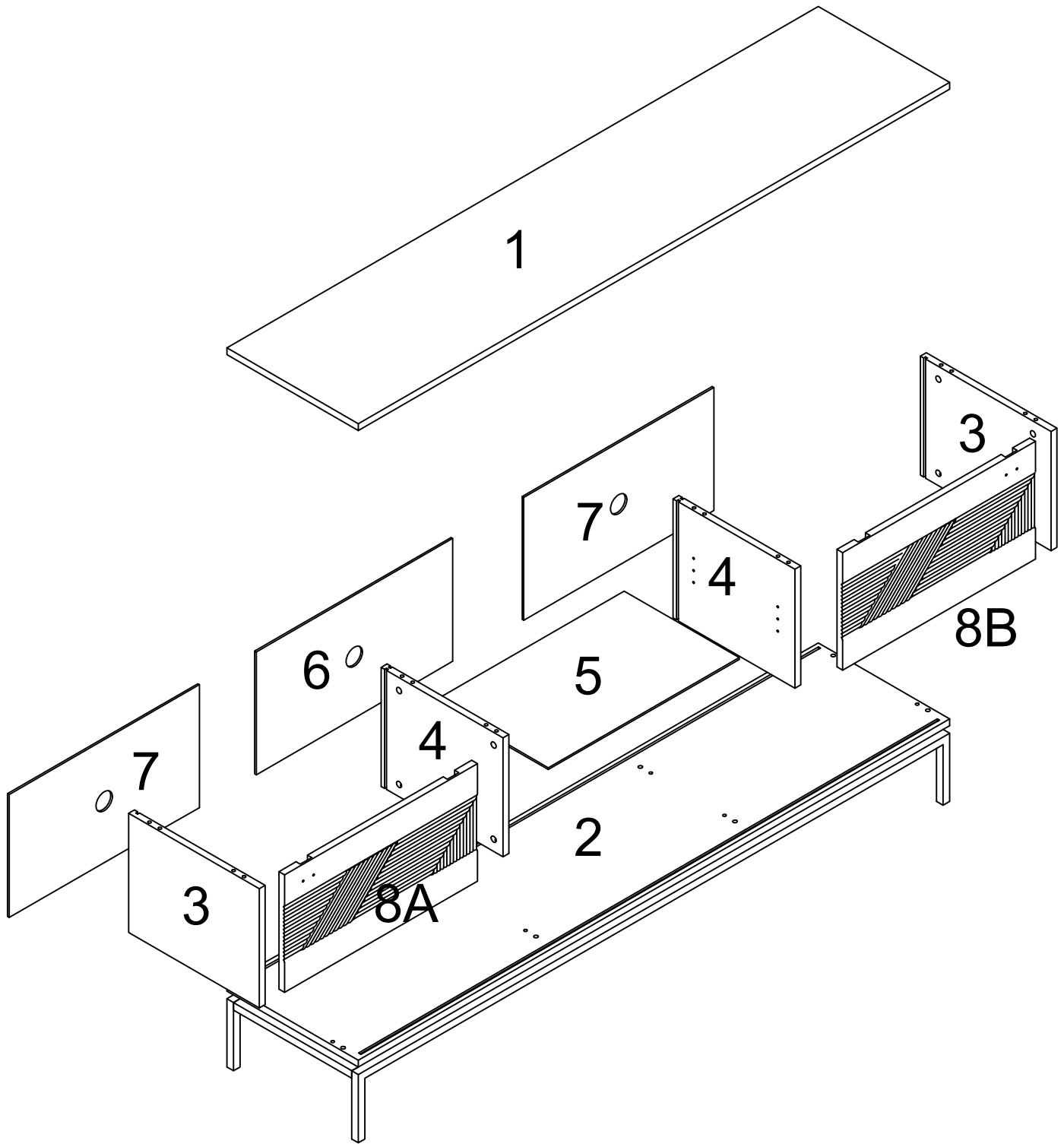
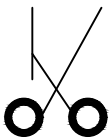
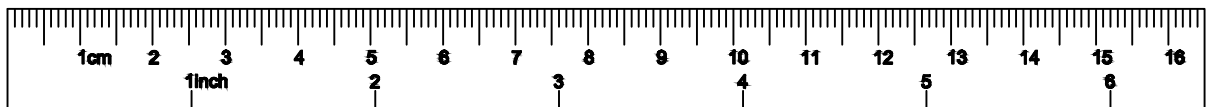


60 min




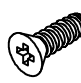





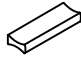


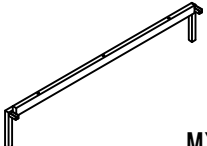
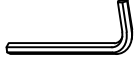
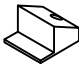
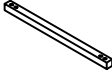


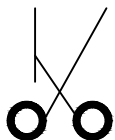
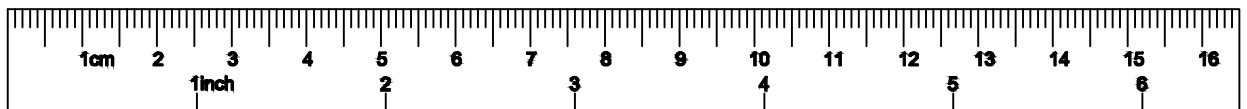


		2301
1	1	1800*400*18MM
2	1	1800*400*18MM
3	2	314*398*18MM
4	2	314*371*18MM
5	1	581*350*5MM
6	1	598*324*5MM
7	2	579*324*5MM
8A	1	587*310*18MM
8B	1	587*310*18MM

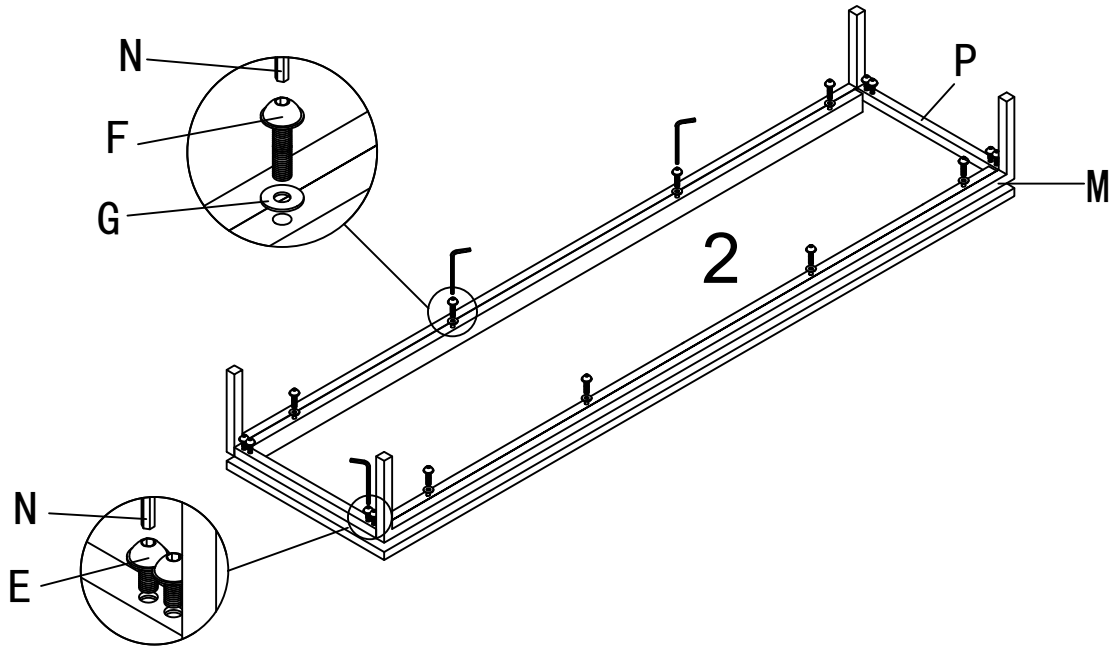
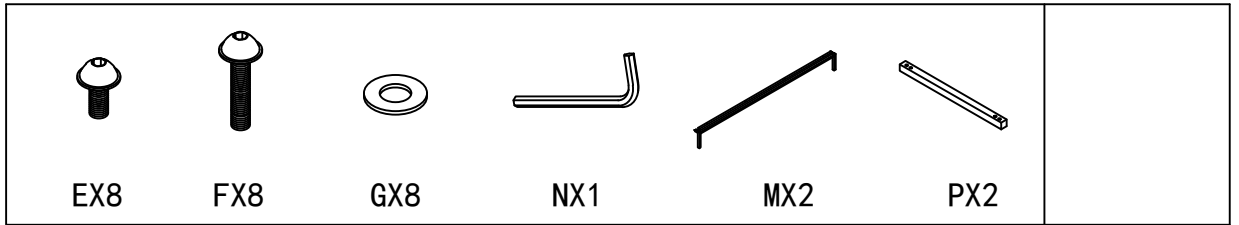




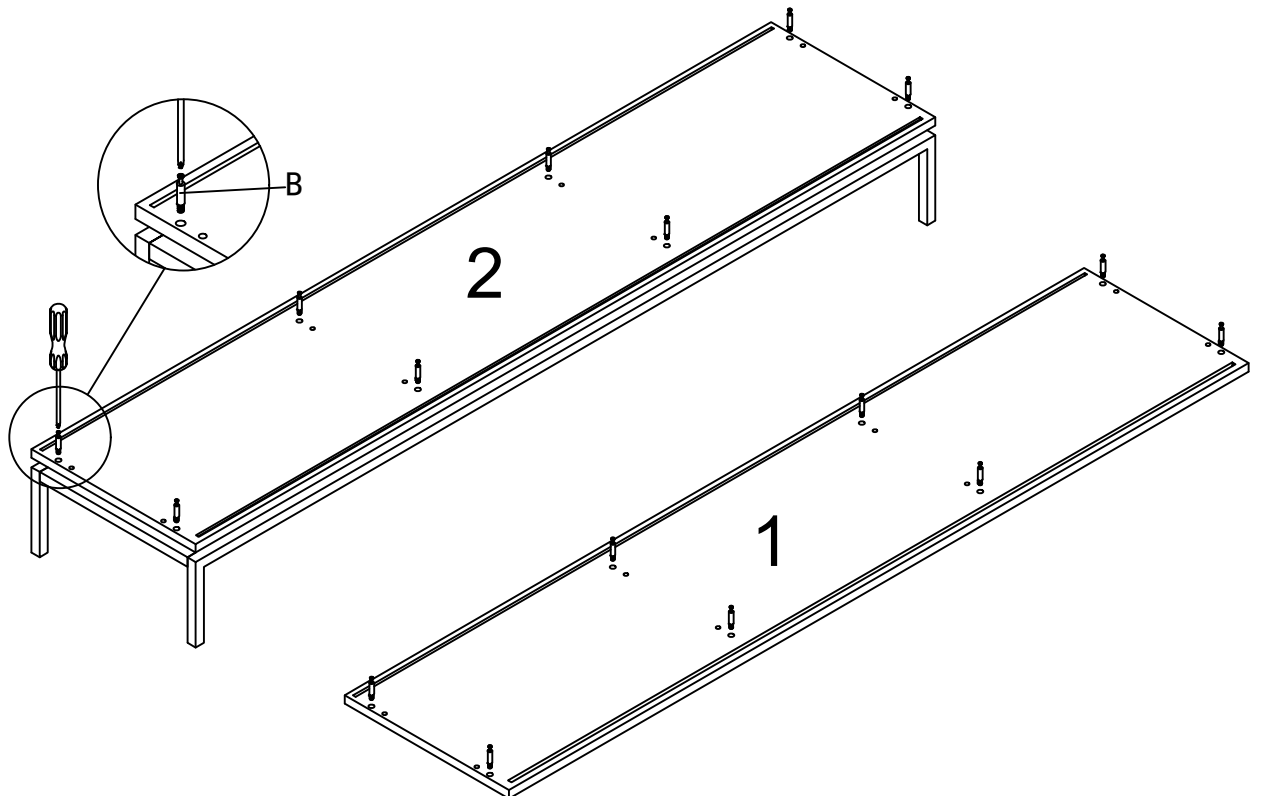
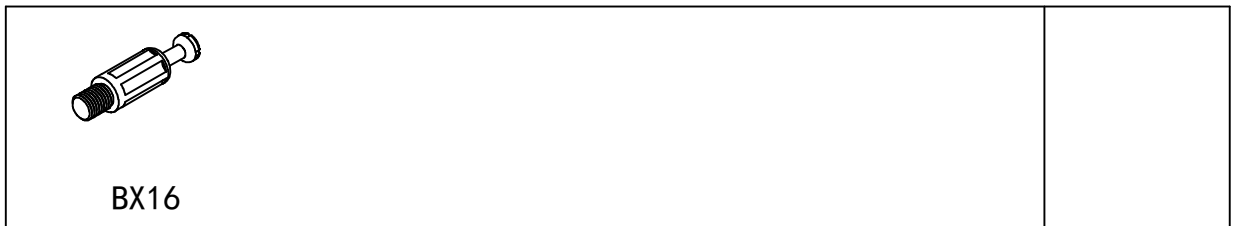
 φ 15*12 AX16	 M6*35 BX16	 φ 8*40 CX16	 M3.5*15 DX44
 M6*12 EX8	 M6*55 FX8	 GX8	 HX4
 IX4	 JX2	 KX4	 LX4
 MX2	 NX1	 OX12	 PX2



1



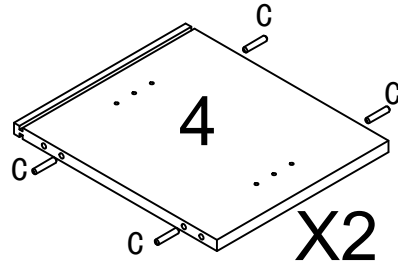
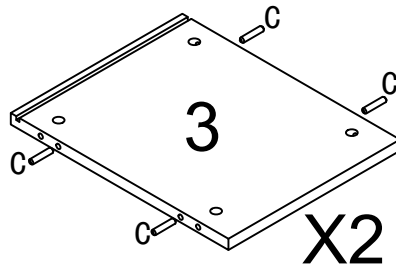
2



3



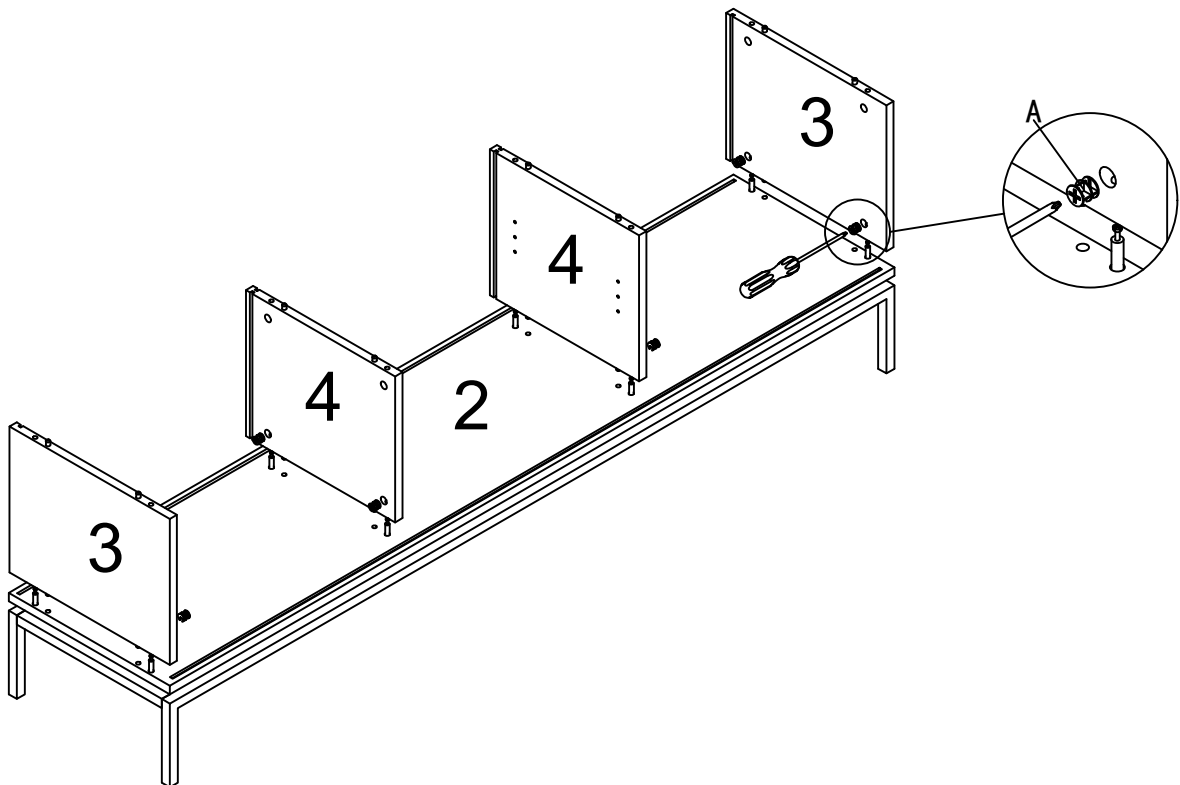
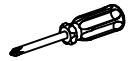
CX16



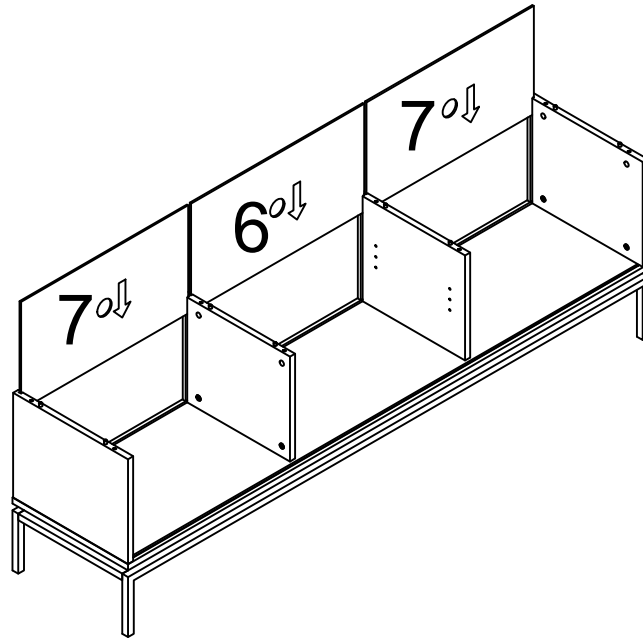
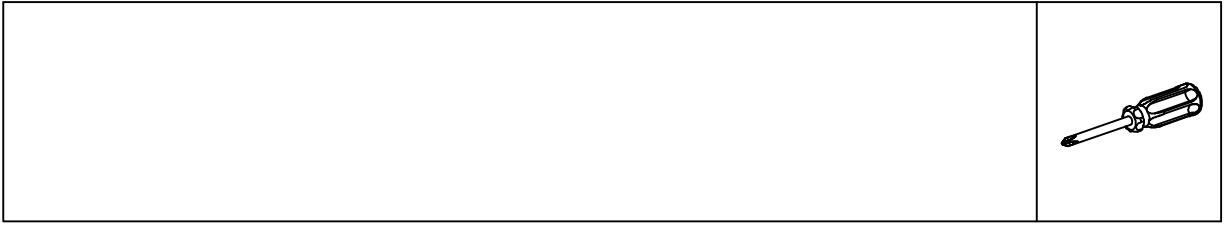
4



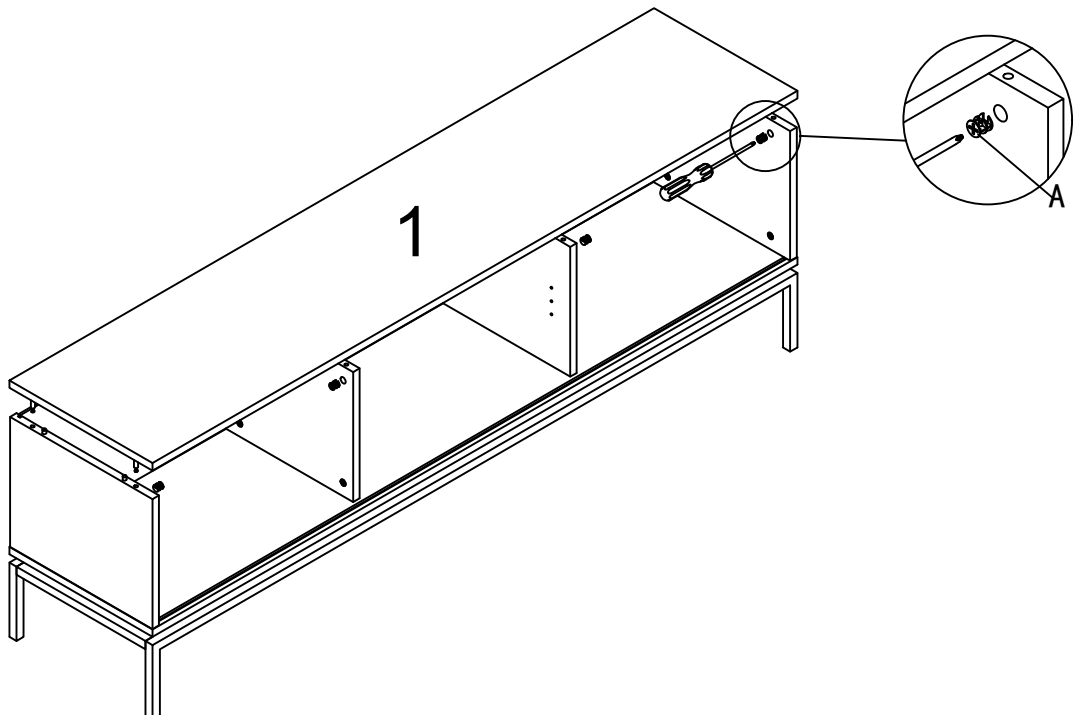
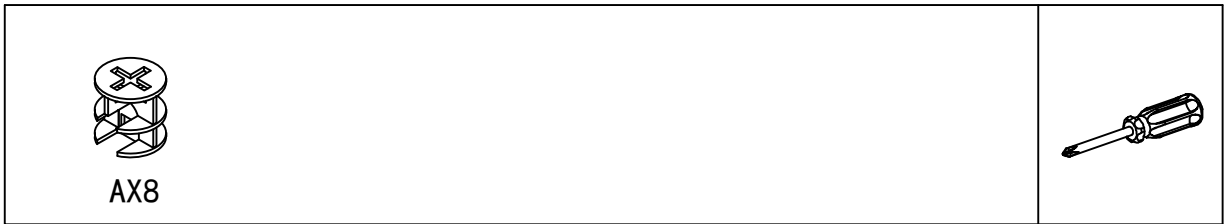
AX8



5



6

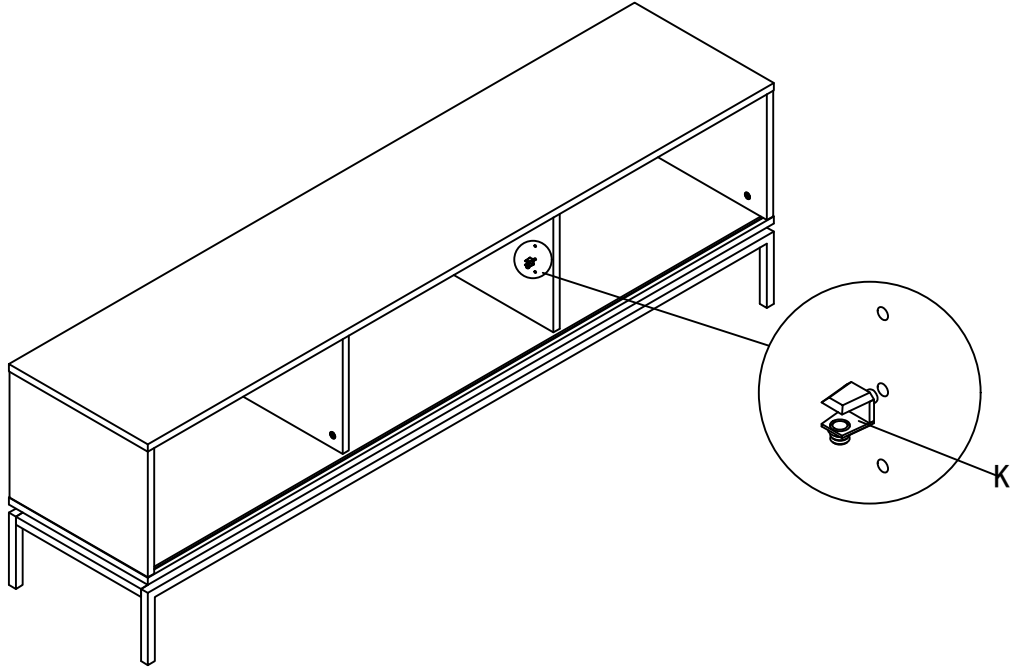


8-12

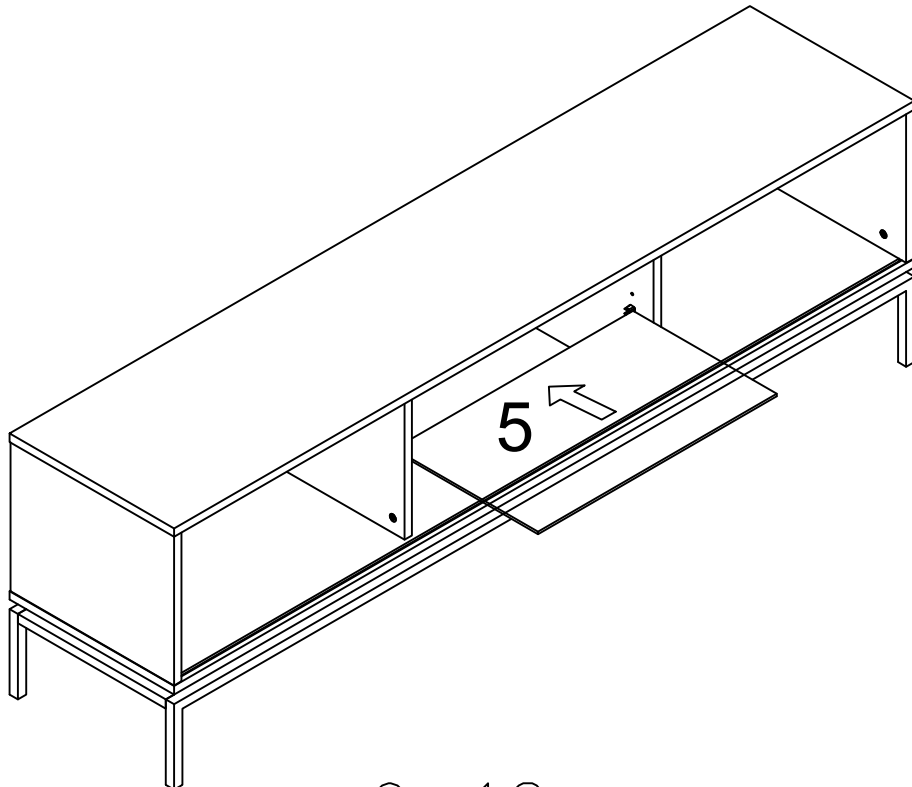
7



KX4

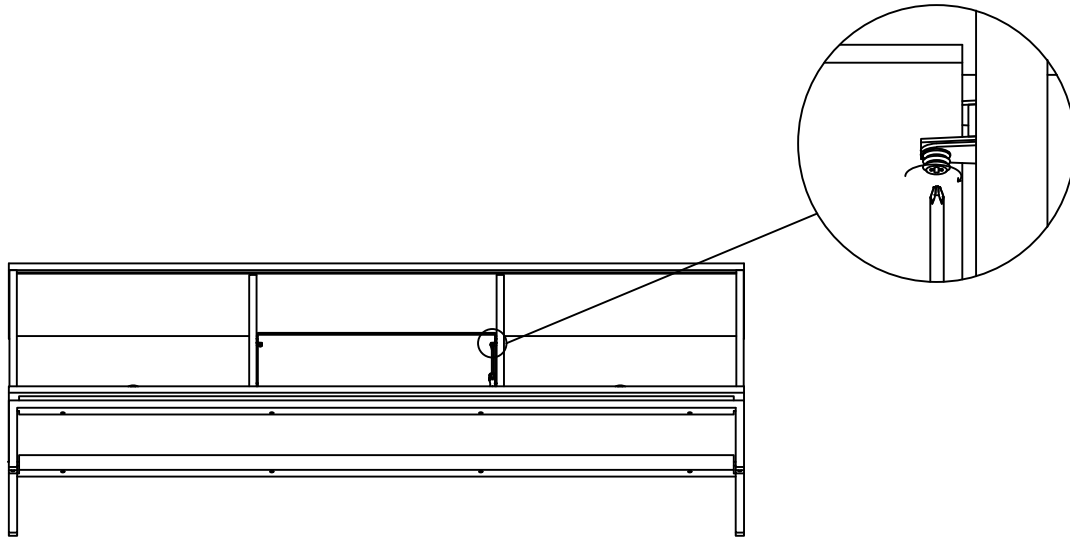
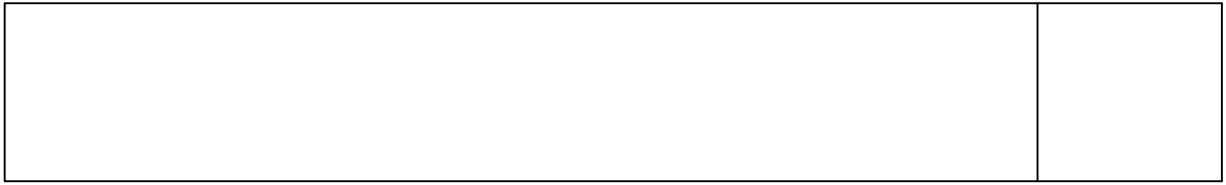


8

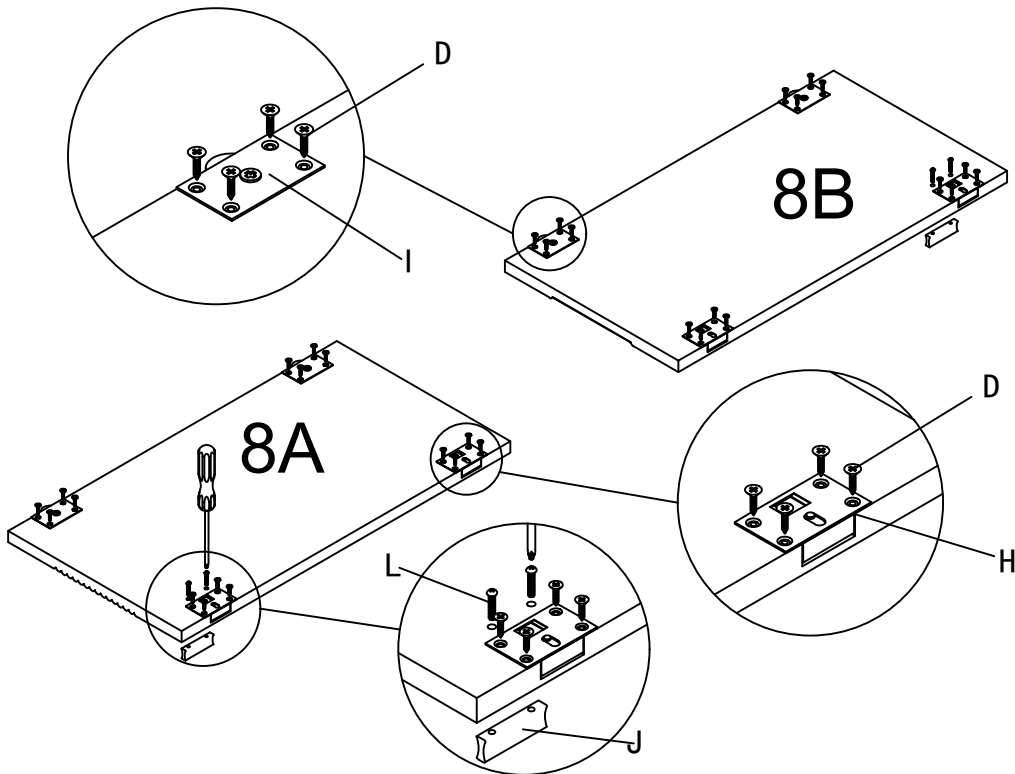
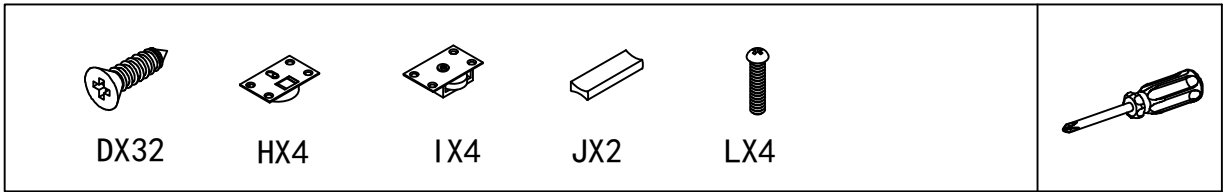


9-12

9

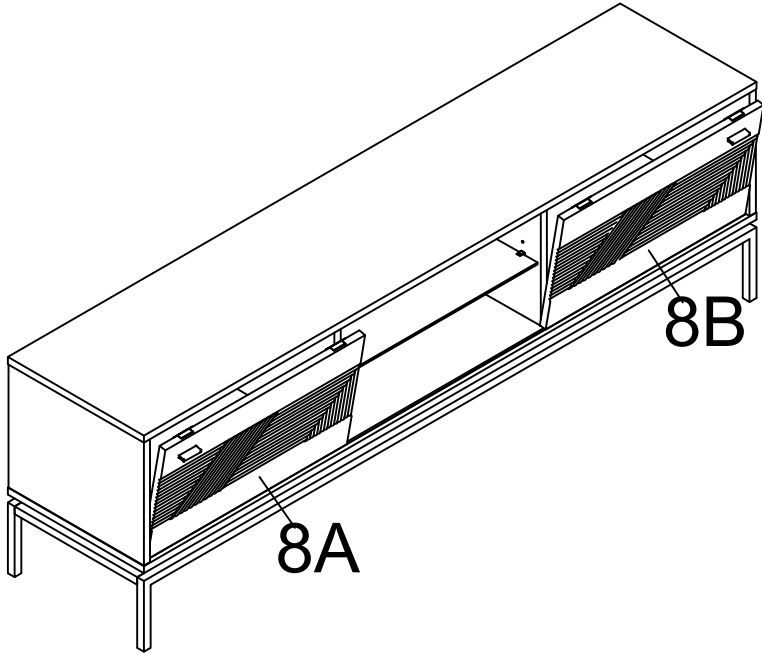
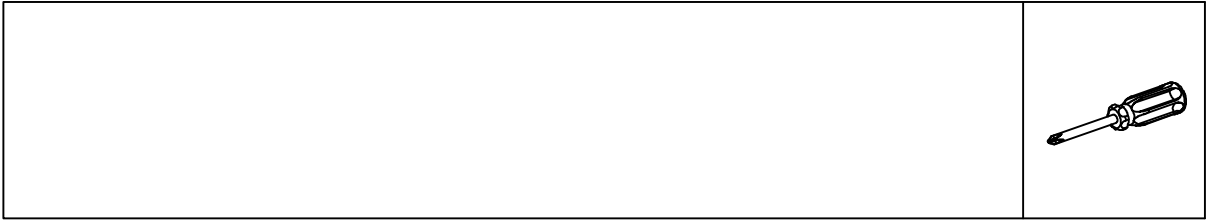


10

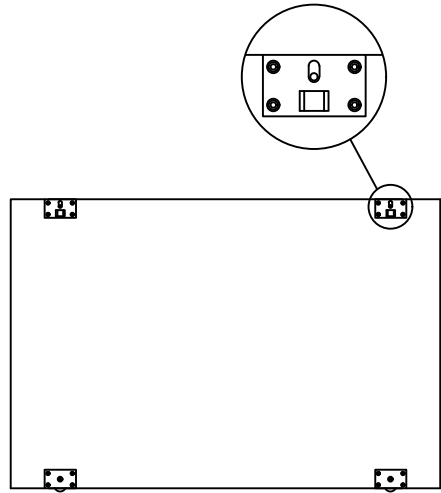


10-12

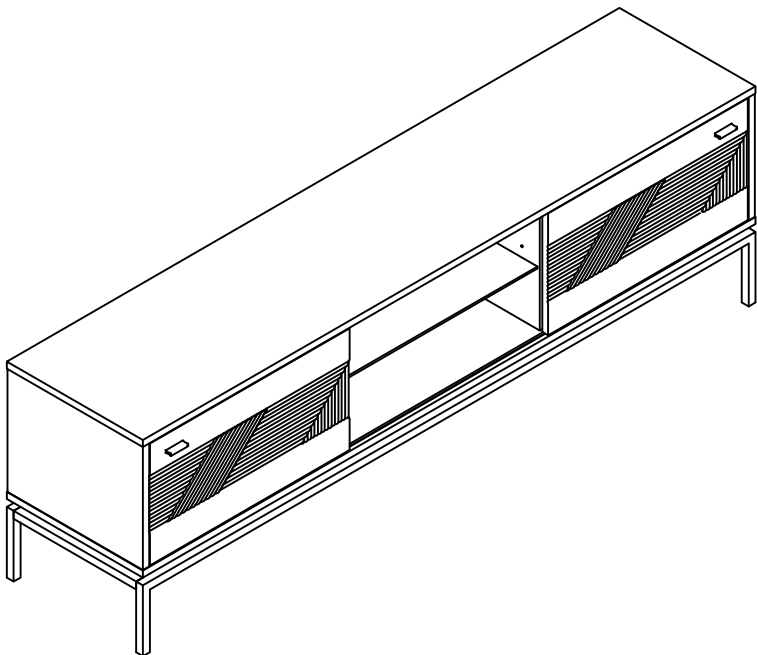
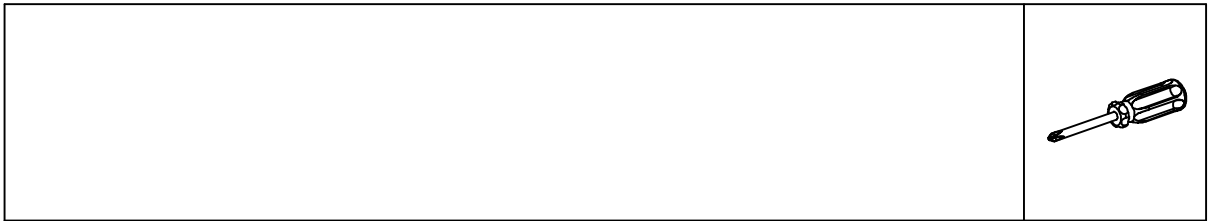
11



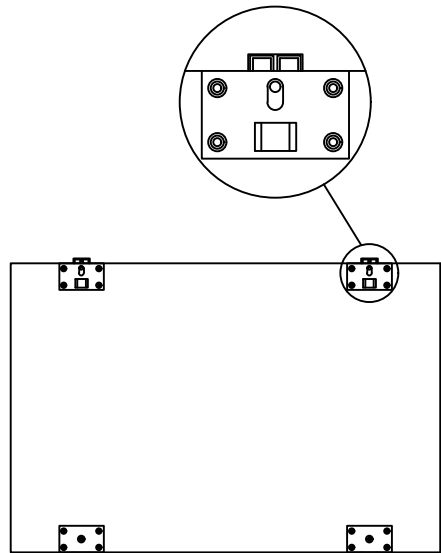
push it down



12



push it up



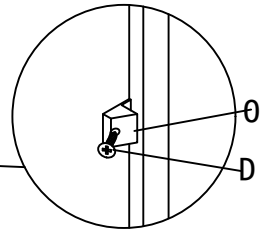
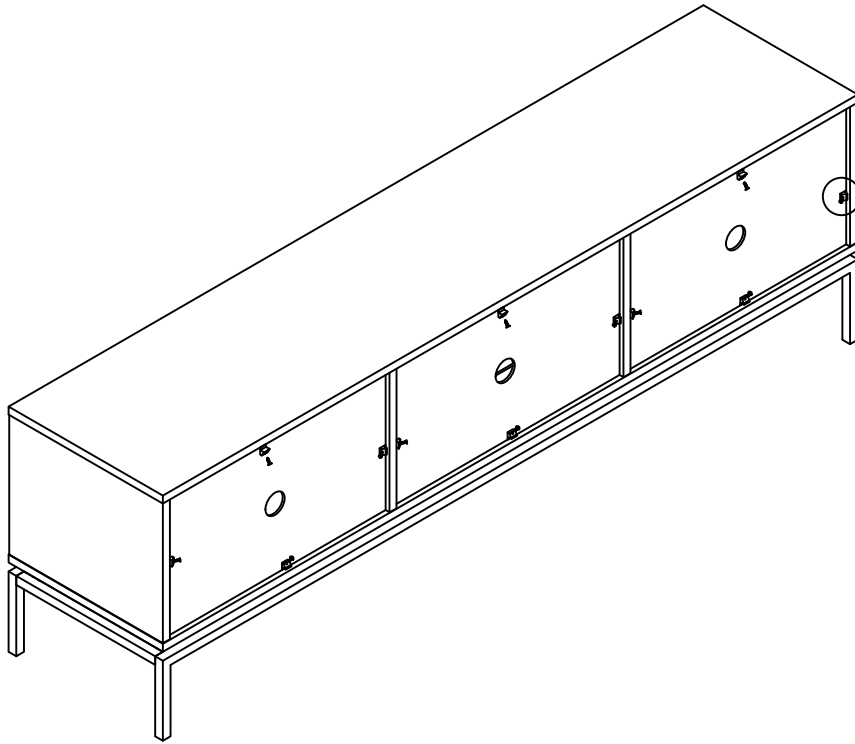
13



DX12



OX12



14

